

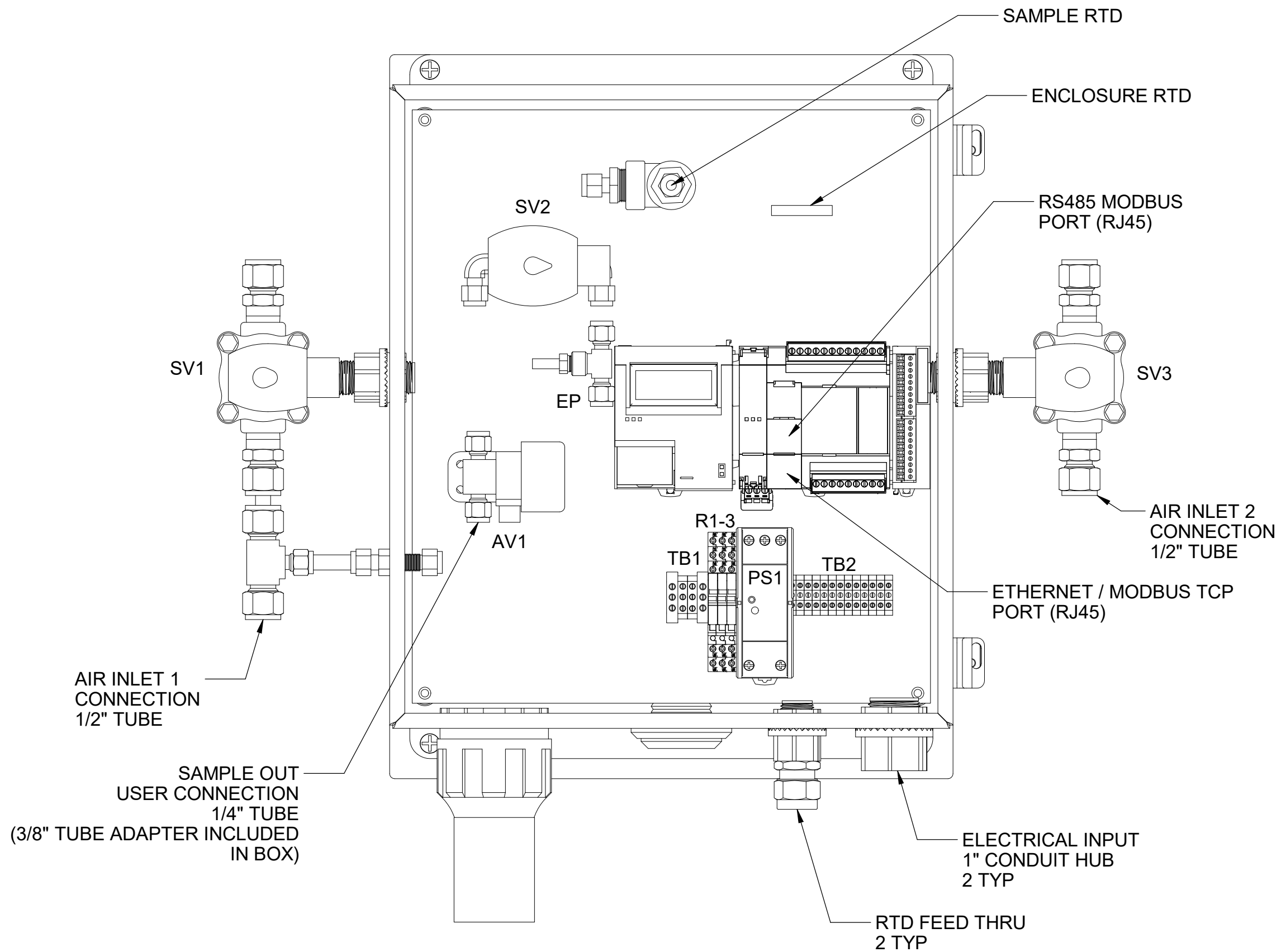




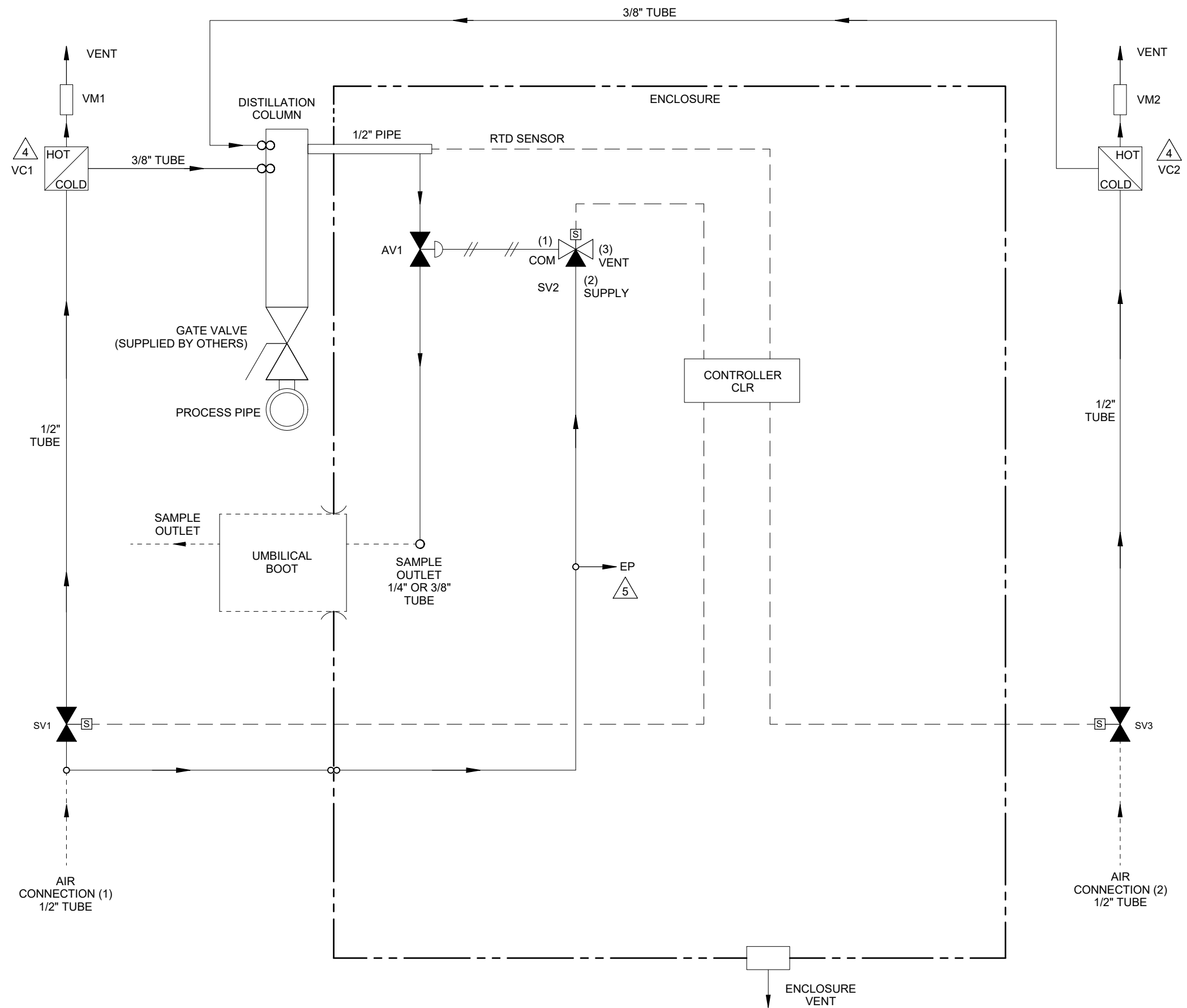
NOTES:

- △ 1 EACH VORTEX COOLER REQUIRES 35-40 SCFM @ 80-100 PSIG DEWPOINT ≤ -40°F RECOMMENDED. TYPICAL CYCLE IS 20% ON. RECOMMEND TWO SEPARATE AIR SUPPLIES TO REDUCE THE CHANCE OF PRESSURE DROP BELOW RECOMMENDED LEVELS.
- △ 2 UNIT HEIGHT VARIES PER FLANGE OPTIONS, +1", -4"
- △ 3 LIFTING WEIGHT: 150LBS. NOTE THAT THE EYELET IS NOT LOCATED DIRECTLY ABOVE CENTER OF GRAVITY
- △ 4 HEATED SAMPLE LINE RECOMMENDED @ 140°F MINIMUM FOR MOST APPLICATIONS.
- 5) SAMPLE FLOW RECOMMENDED 1-4 L/M
- △ 6 CUSTOMER I.D. TAG IF SPECIFIED ON PO. GRAVOPLY SECURED WITH SCREWS OR RIVETS. 1/2" TEXT HEIGHT, WHITE ON BLACK
- 7) AMBIENT TEMPERATURE OPERATING RANGE: +14°F (-10°C) TO +130°F (+55°C)

5200 Convair Drive Carson City, NV 89706 PH(775)883-2500 FAX (775)883-6388		1	03/31/17	INITIAL RELEASE	AF	BW
 		REV DATE	DESCRIPTION		DWN/VPD	
		REVISIONS				
DISTILLATION PROBE REMOTE CONTROL, AIR COOLED		DATE	SCALE	SIZE	SHEET	
PART NO.		03/31/2017	NTS	D	1 OF 4	
1221-LC-V	FOR	DRAWN BY	A. FLORES	ECO#	DRAWING NO.	
	-	APVD BY	B. WOLF	-	P2788	



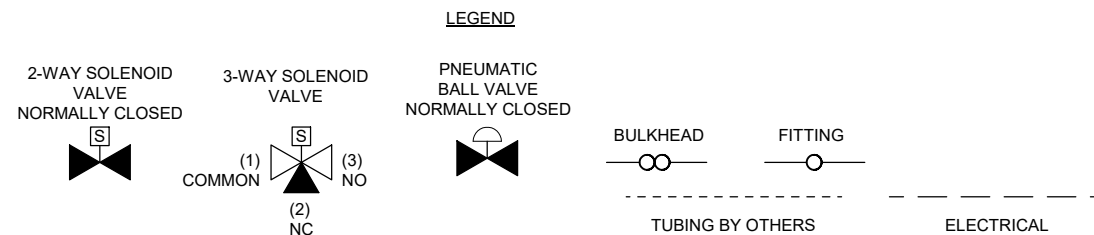
5200 Convoir Drive Carson City, NV 89706 PH(775)883-2500 FAX (775)883-6388		1	03/31/17	INITIAL RELEASE	AF	BW
 		REV DATE	DESCRIPTION		DWN/AVD	
REVISIONS						
INTERIOR LAYOUT		DATE	SCALE	SIZE	SHEET	
PART NO.		FOR	NTS	D	2 OF 4	
1221-LC-V	-	DRAWN BY	A. FLORES	ECO#	DRAWING NO.	
		APVD BY	B. WOLF	-	P2788	



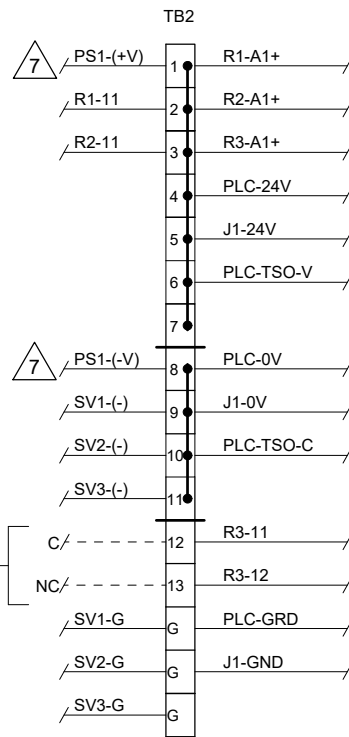
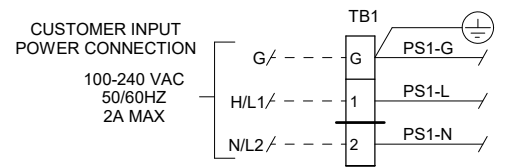
- NOTES:
1. ALL TUBING TO BE 1/4" 316SS (UNLESS OTHERWISE NOTED)
  2. ALL WETTED MATERIALS ARE STAINLESS STEEL
  3. SAMPLE TEMPERATURE SETPOINT IN REMOTE CONTROLLER (NOT SHOWN) IS 65°F UNLESS OTHERWISE STATED ON P.O.

- △4 SET VORTEX TUBE 3.5 TURNS FROM BOTTOM.  
 △5 ENCLOSURE PURGE FITTING (<1 L/M)

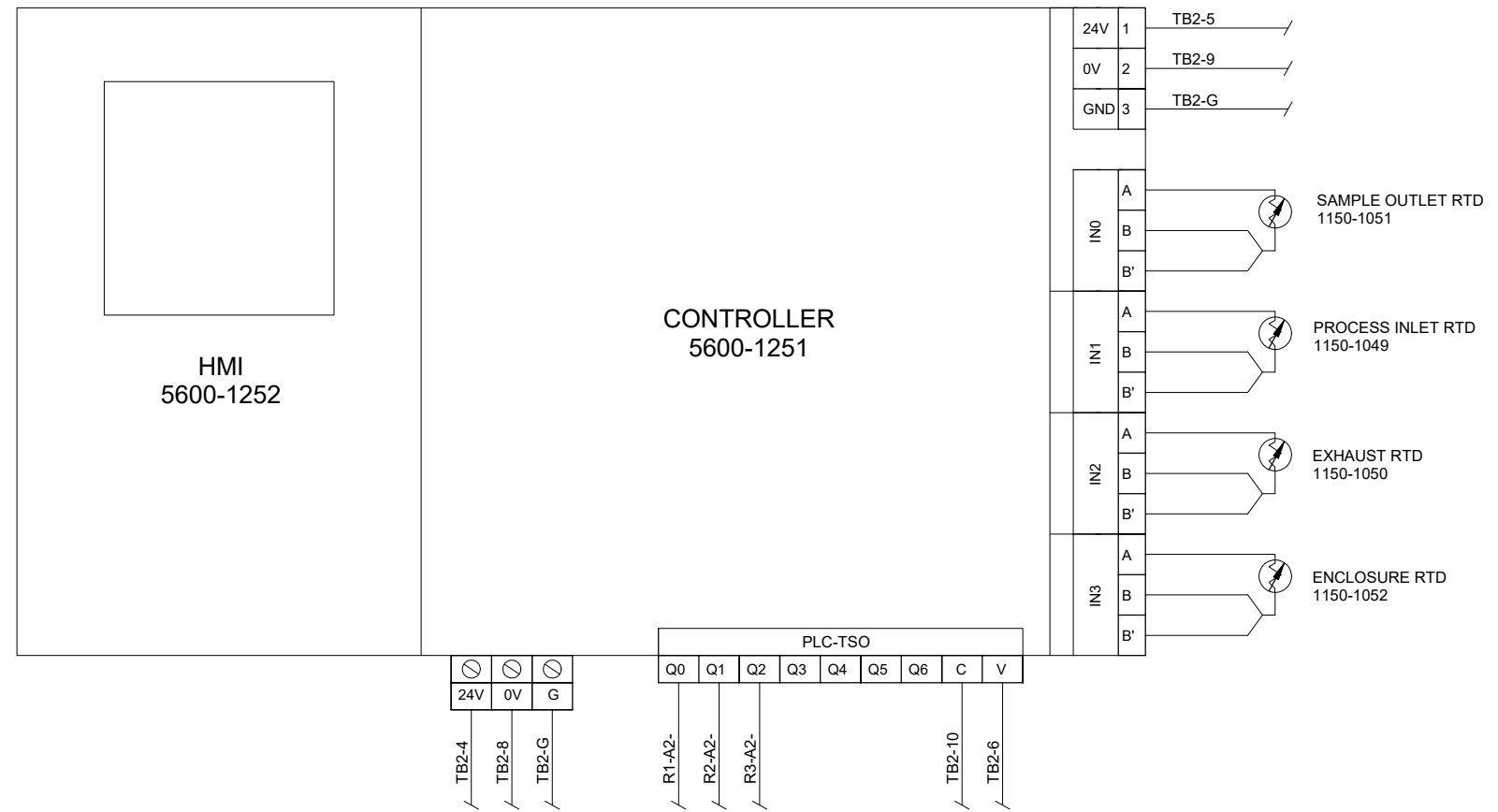
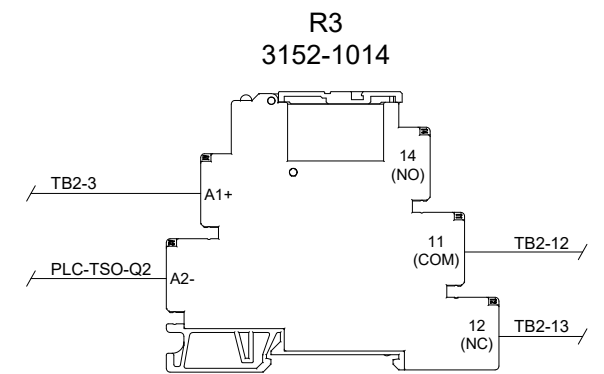
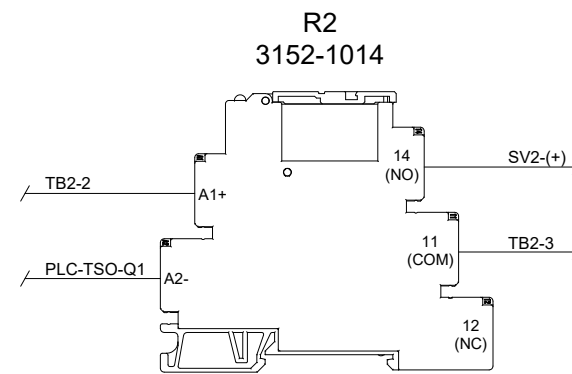
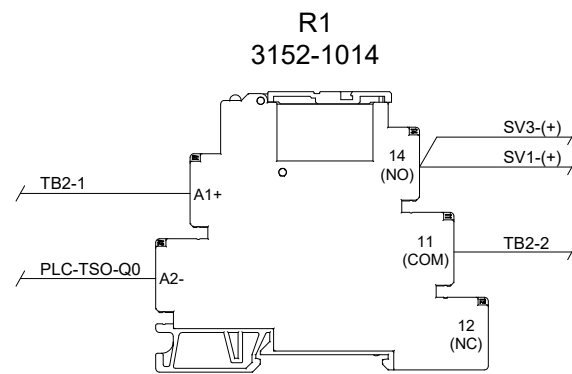
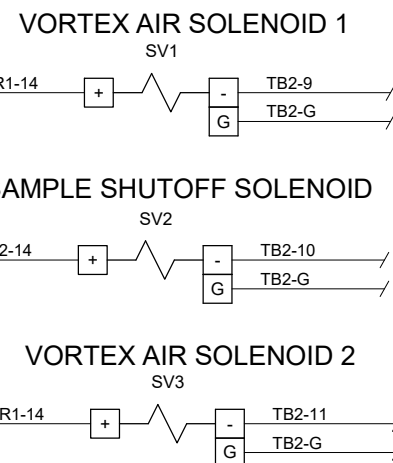
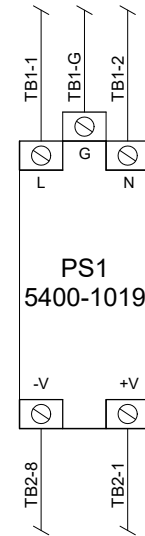
ITEM	QTY	DESCRIPTION	UAI PART NO.
AV1	1	AIR ACTUATED VALVE 1/4" N.C. SPRING RETURN	4955-0109
SV2	1	SOLENOID VALVE 3-WAY 24VDC EXP. PROOF	4955-0260
EP	1	1/4" TUBE W/ SNUBBER, 2µm	4954-0177
SV1,3	2	SOLENOID VALVE 2-WAY 24VDC EXP. PROOF	4955-1141
VC1,2	2	VORTEX COOLER 40 SCFM	4960-1013
VM1,2	2	VORTEX MUFFLER - HOT	4960-1011
CLR	1	CONTROLLER	IDEC FC6A



5200 Convoir Drive Carson City, NV 89706 PH(775)883-2500 FAX (775)883-6388		1	03/31/17	INITIAL RELEASE	AF	BW
UNIVERSAL ANALYTICALS INC. AMETEK		REV	DATE	DESCRIPTION	DWN/AVD	
P & ID		REVISIONS		DATE	SCALE	SIZE
PART NO. 1221-LC-V		FOR -		03/31/2017	NTS	D
DRAWN BY A. FLORES		ECO# -		SHEET 3 OF 4		
APVD BY B. WOLF		-		DRAWING NO. P2788		



COMMON ALARM (FAILSAFE) CUSTOMER CONNECTION



NOTES:

1) ELECTRICAL CLASSIFICATION DESIGNED FOR CLASS 1, DIV2, GROUPS A, B, C, D. ALL ELECTRICAL COMPONENTS ARE SELF-CERTIFIED FOR HAZARDOUS AREA USAGE BY THE RESPECTIVE VENDOR. THIS ASSEMBLY HAS NOT BEEN CERTIFIED.

2) WIRING SHALL BE IN ACCORDANCE WITH APPLICABLE NEC CODE. ELECTRICAL MATERIALS SHALL BE LABELED BY: UL, FM OR CSA (WIRE AND TERMINALS ONLY) THE FOLLOWING WIRE SIZES ARE EXCLUSIVE OF INTEGRATED COMPONENT WIRE SIZE: ALL WIRES: TFE 300V INSULATION, 18 AWG MINIMUM, STRANDED COPPER CONDUCTOR

3) COLOR CODING:  
 AC: H/L1 - BLACK, N/L2 - WHITE, GROUND - GREEN  
 DC: POSITIVE - RED, NEGATIVE - BLUE  
 SIGNAL & ALARM: ALL - YELLOW

4) POWER SUPPLY AND RELAYS SHALL BE LOCATED ON TB DIN RAIL

5) ENCLOSURE DOOR SHALL BE GROUNDED TO BACK PANEL

6) TB1 & TB2 SHALL BE SEGREGATED

7) FOR CUSTOMER SUPPLIED 24 VOLT OPTION, DISCONNECT PS1 AND WIRE DIRECTLY TO TB2-1 (+24V) AND TB2-8 (0V).

FIELD TO WIRE

5200 Convair Drive Carson City, NV 89706 PH(775)883-2500 FAX (775)883-6388		1	03/31/17	INITIAL RELEASE	AF	BW
UNIVERSAL Analytical Inc.		REV DATE		DESCRIPTION	DWN/DPVD	
AMETEK		DATE		SCALE	SIZE	SHEET
WIRING DIAGRAM		03/31/2017		NTS	D	4 OF 4
PART NO.	FOR	DRAWN BY	ECO#	DRAWING NO.		
1221-LC-V	-	A. FLORES	-	P2788		
		APVD BY				
		B. WOLF				