



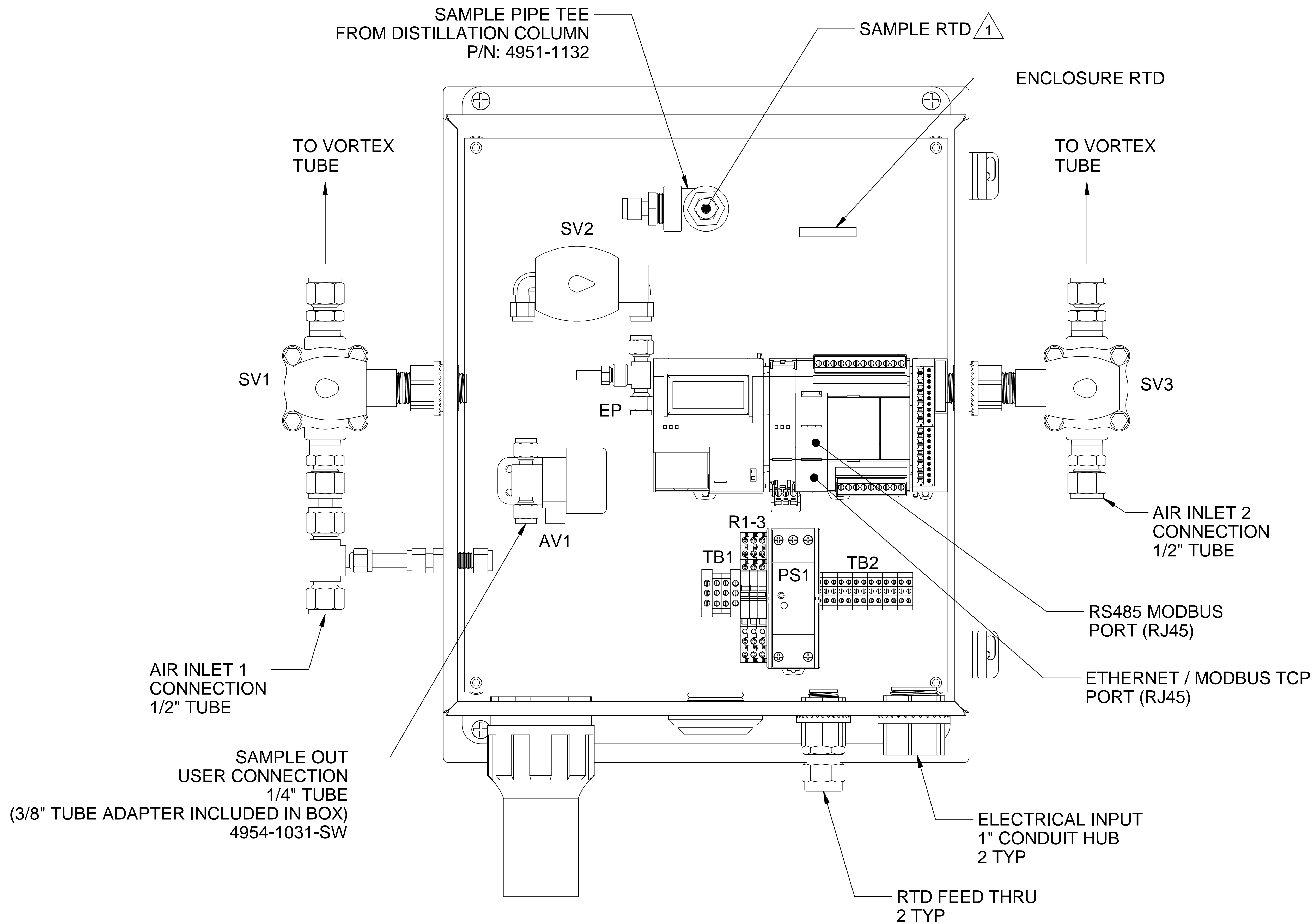
NOTES:

- △ 1 EACH VORTEX COOLER REQUIRES 35-40 SCFM @ 80-100 PSIG DEWPOINT ≤ -40°F RECOMMENDED. TYPICAL CYCLE IS 20% ON. RECOMMEND TWO SEPARATE AIR SUPPLIES TO REDUCE THE CHANCE OF PRESSURE DROP BELOW RECOMMENDED LEVELS.
- △ 2 UNIT HEIGHT VARIES PER FLANGE OPTIONS, +1", -4"
- △ 3 LIFTING WEIGHT: 150LBS. NOTE THAT THE EYELET IS NOT LOCATED DIRECTLY ABOVE CENTER OF GRAVITY
- △ 4 HEATED SAMPLE LINE RECOMMENDED @ 140°F MINIMUM FOR MOST APPLICATIONS.
- 5) SAMPLE FLOW RECOMMENDED 1-4 L/M
- △ 6 CUSTOMER I.D. TAG IF SPECIFIED ON PO. ENGRAVED STAINLESS SECURED WITH SCREWS OR RIVETS.
- 7) AMBIENT TEMPERATURE OPERATING RANGE: +14°F (-10°C) TO +130°F (+55°C)
- △ 8 THE RTD EXTENDS INTO THE MAIN COLUMN AND MUST BE REMOVED PRIOR TO REMOVING THE DISC ASSEMBLY. RTD TO BE INSTALLED UTILIZING A BORED-THRU COMPRESSION FITTING FOR EASE OF REMOVAL AND PROPER SEAL.
- △ 9 SERIAL / PART NUMBER LABEL INSIDE ON DOOR.

5200 Convair Drive Carson City, NV 89706 PH(775)883-2500 FAX (775)883-6388		3	02/07/18	CHANGES PER REDLINES	RM	BW
 		REV	DATE	DESCRIPTION	DWN/ APVD	
REVISIONS						
DISTILLATION PROBE REMOTE CONTROL, AIR COOLED		DATE	SCALE	SIZE	SHEET	
PART NO.		03/31/2017	NTS	D	1 OF 4	
FOR		DRAWN BY	A. FLORES	ECO#	DRAWING NO.	
1221-LC-V2		APVD BY	B. WOLF	-	P2788	



LEFT SIDE VIEW

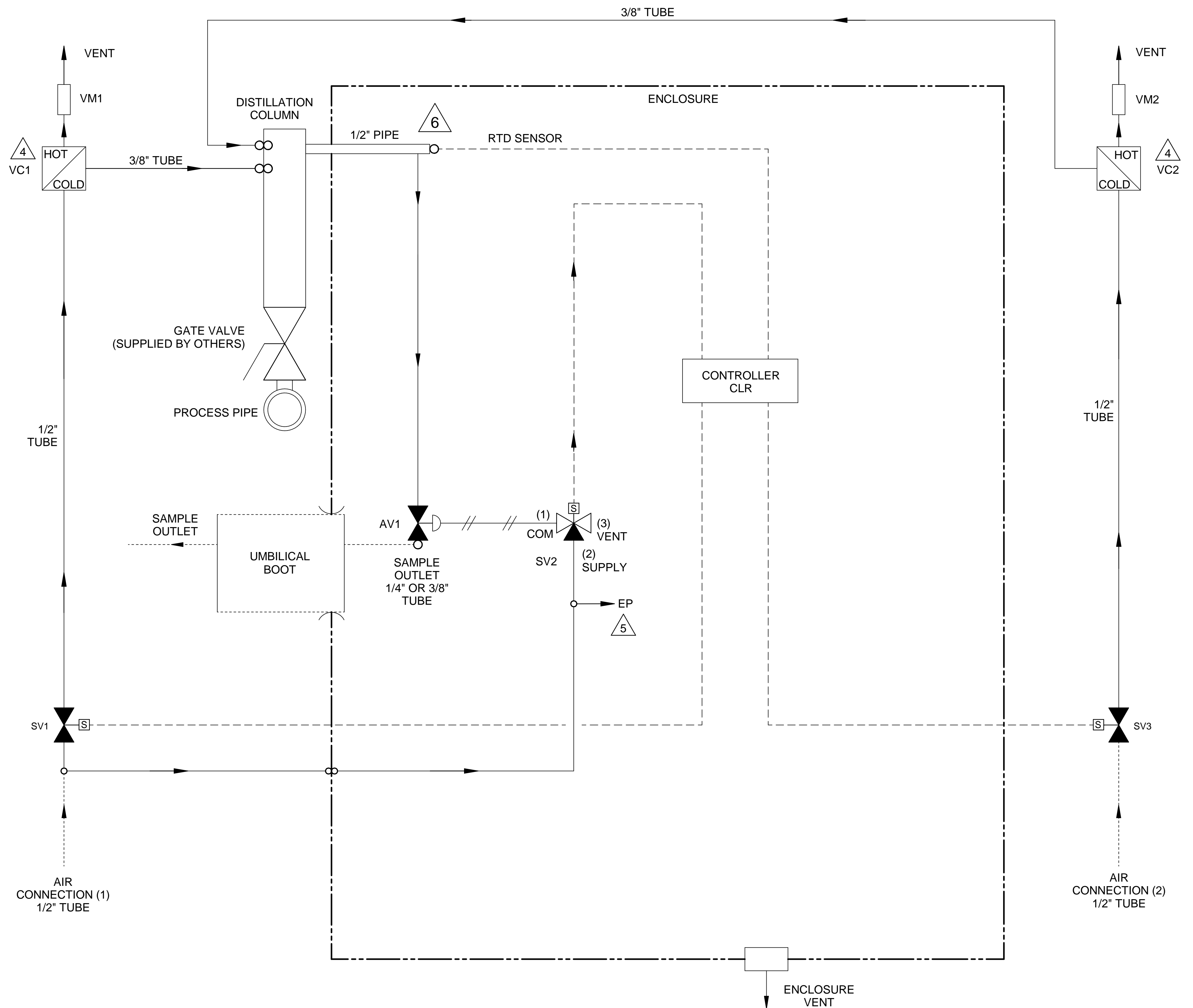
FRONT VIEW



NOTES:

1 THE RTD EXTENDS INTO THE MAIN COLUMN AND MUST BE REMOVED PRIOR TO REMOVING THE DISC ASSEMBLY. RTD TO BE INSTALLED UTILIZING A BORED THRU COMPRESSION FITTING FOR EASE OF REMOVAL AND PROPER SEAL.

5200 Convair Drive Carson City, NV 89706 PH(775)883-2500 FAX (775)883-6388		3	02/07/18	CHANGES PER REDLINES	RM	BW
 		REV DATE		DESCRIPTION	DWN/REV	
INTERIOR LAYOUT		DATE		SCALE	SIZE	SHEET
PART NO.		FOR		NTS	D	2 OF 4
1221-LC-V2		-		03/31/2017		
DRAWN BY		APVD BY		ECO#	DRAWING NO.	
A. FLORES		B. WOLF		-	P2788	

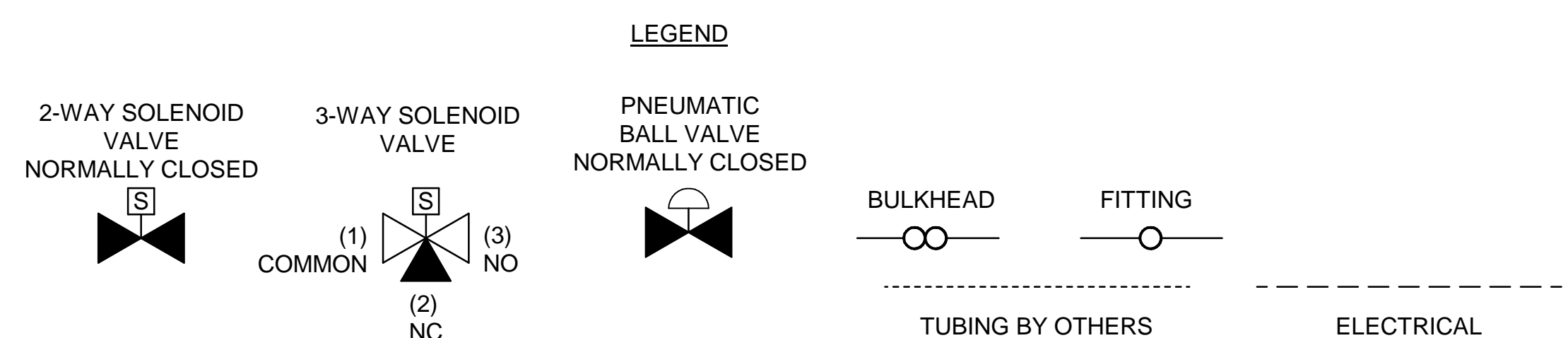


NOTES:

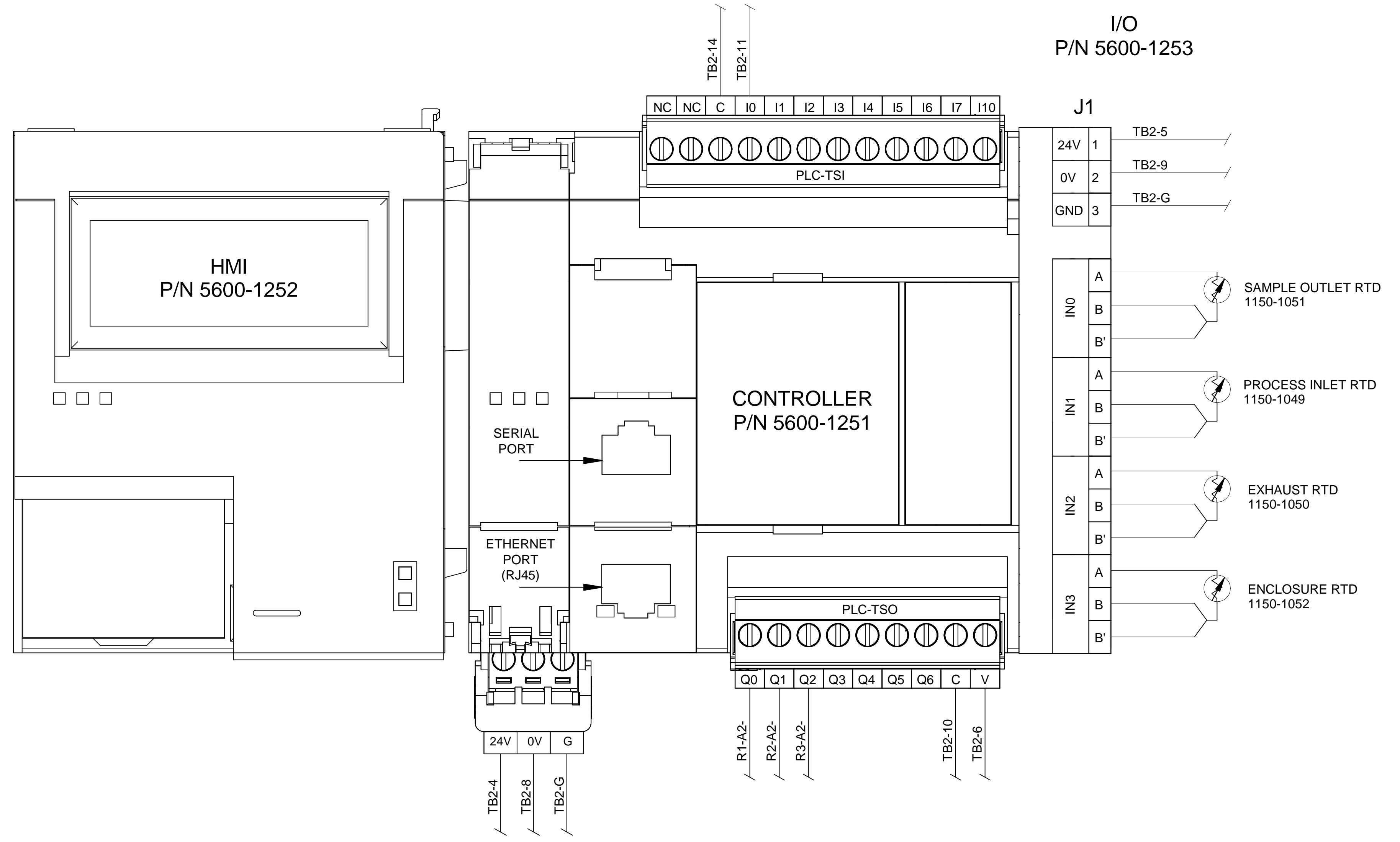
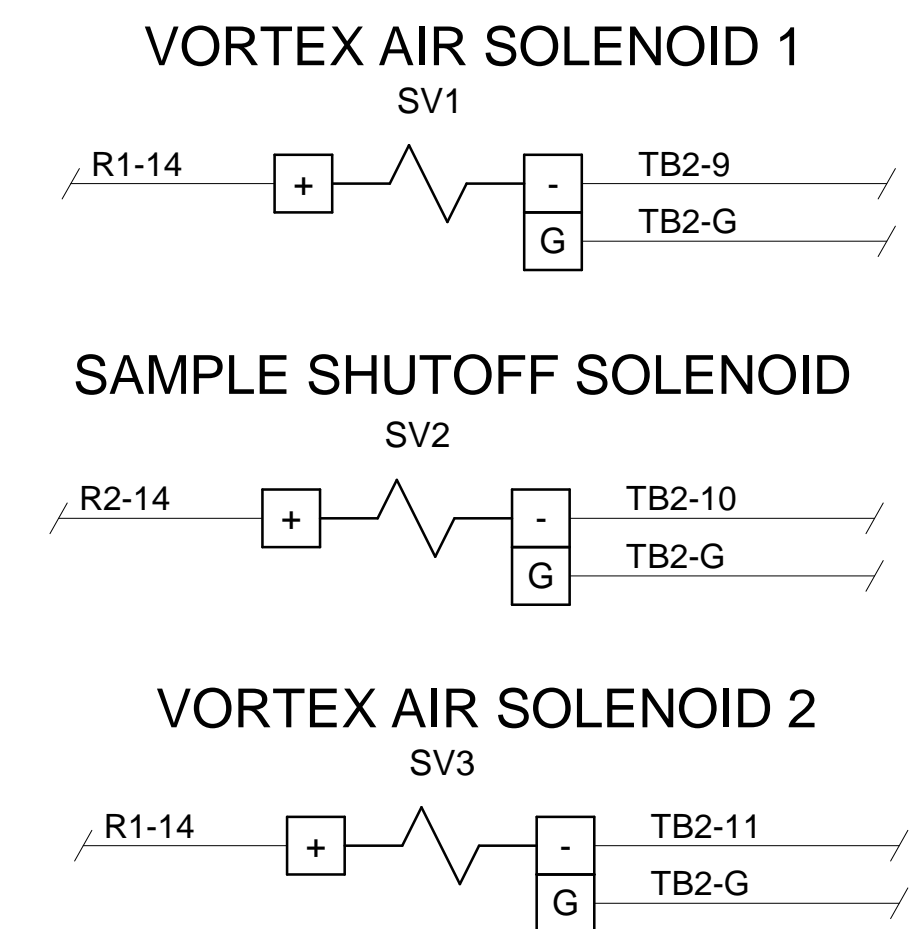
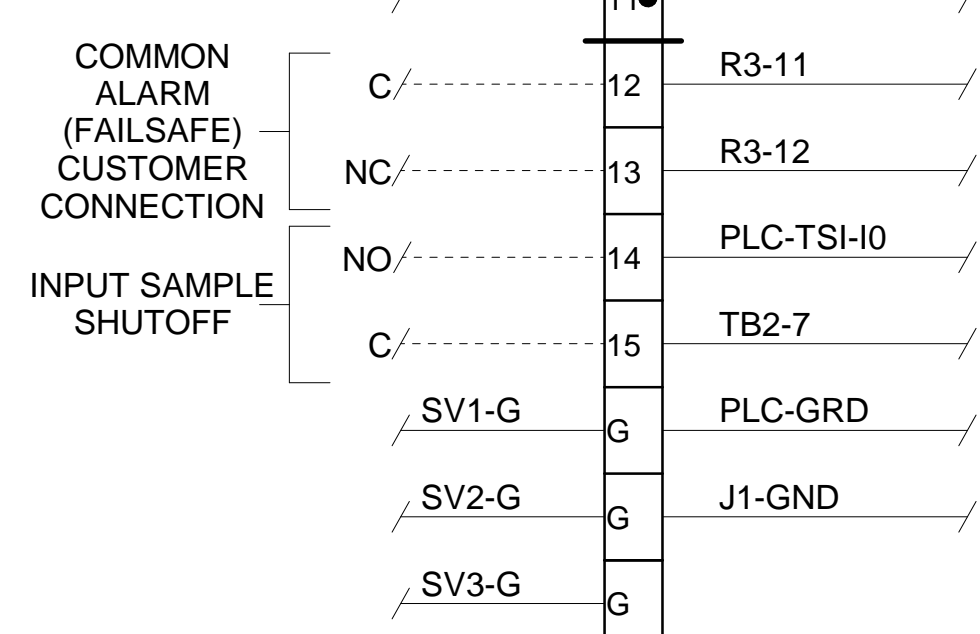
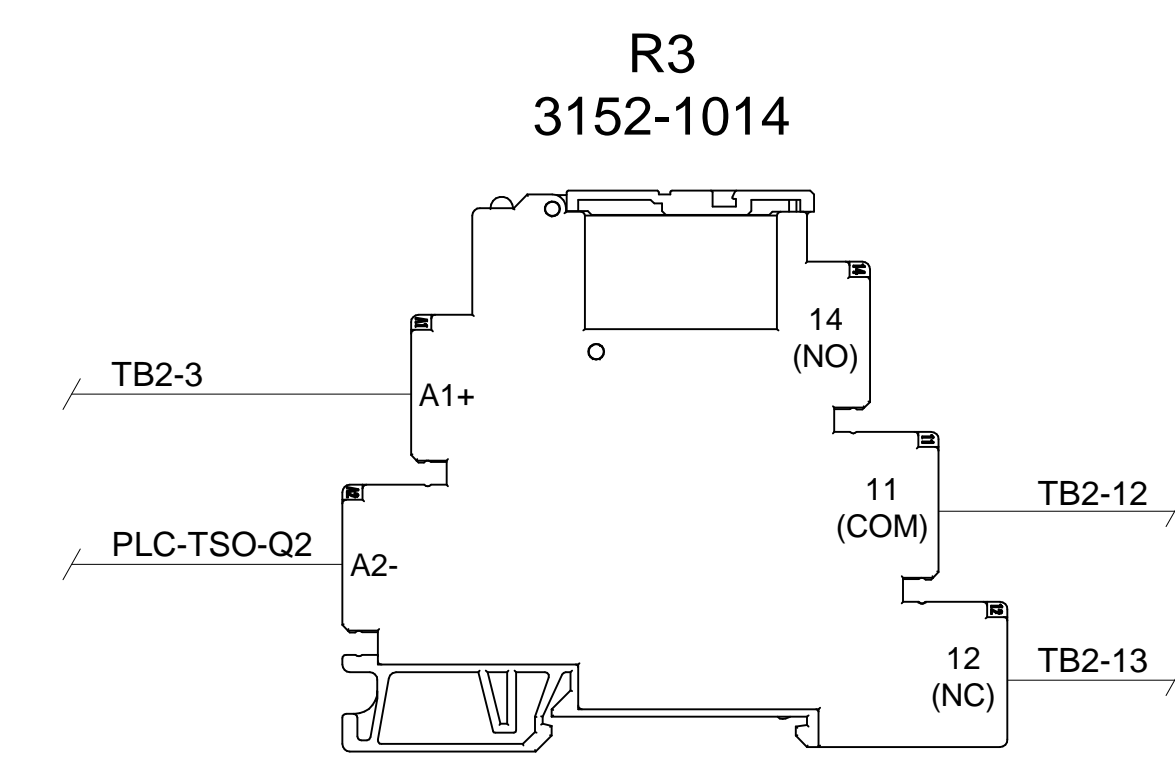
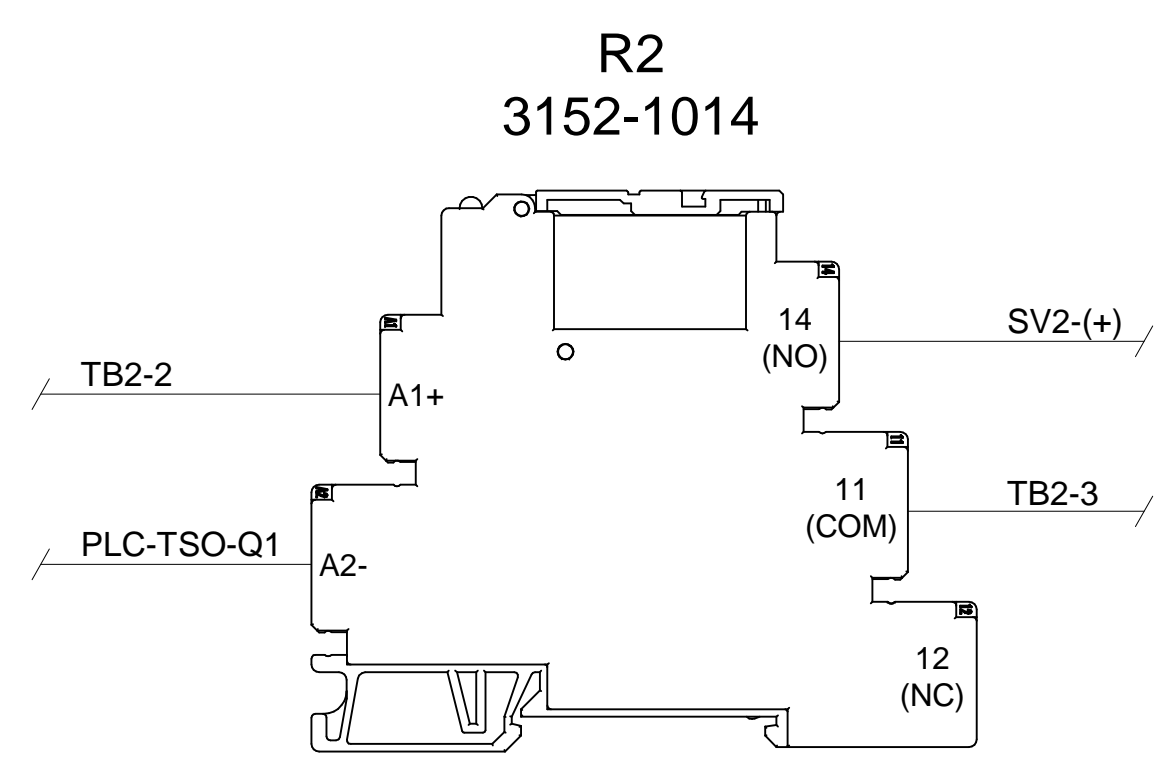
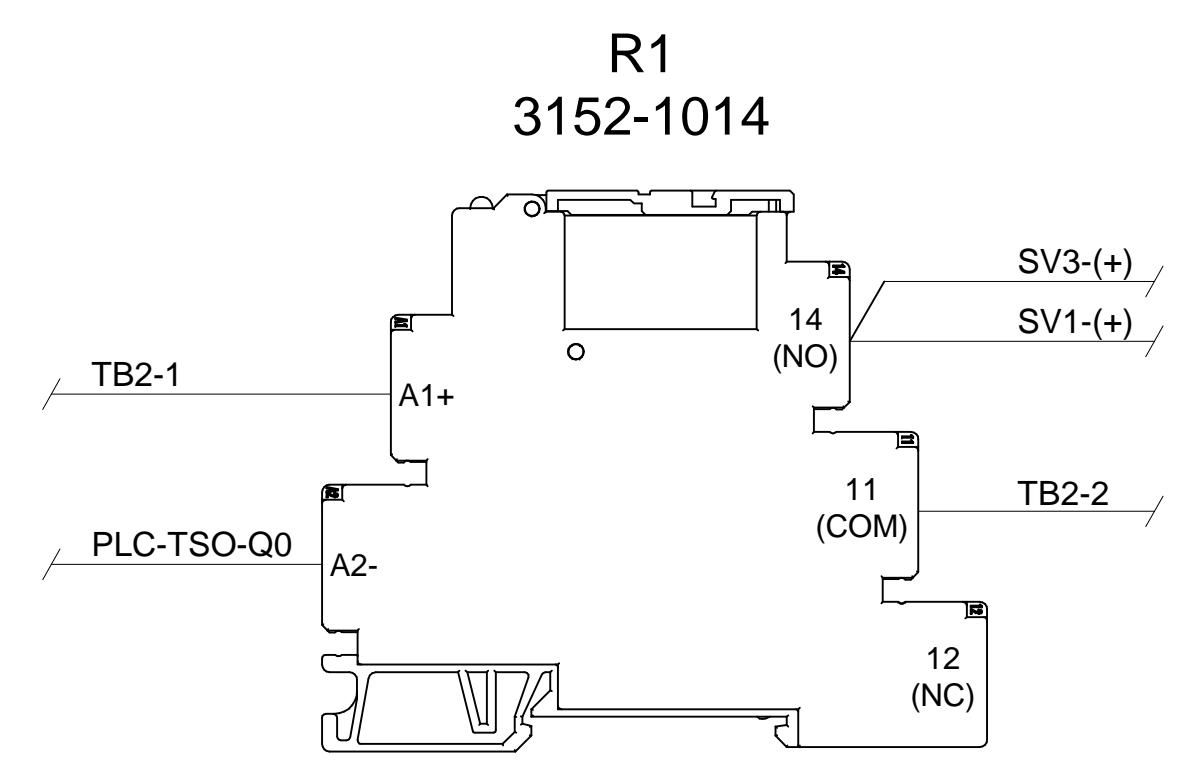
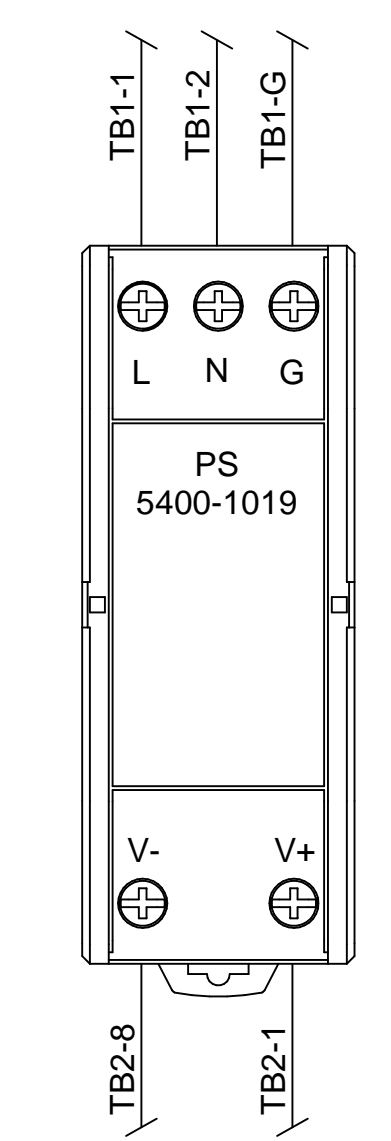
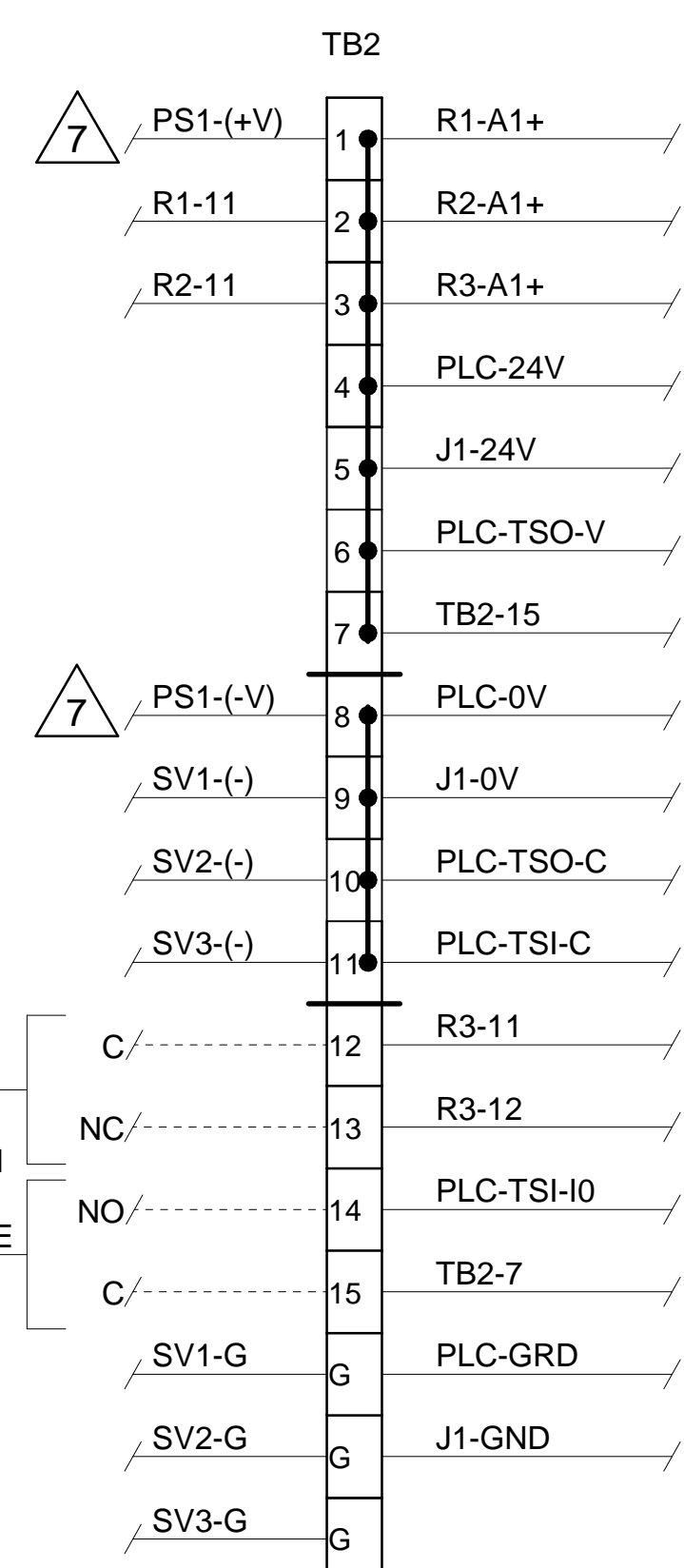
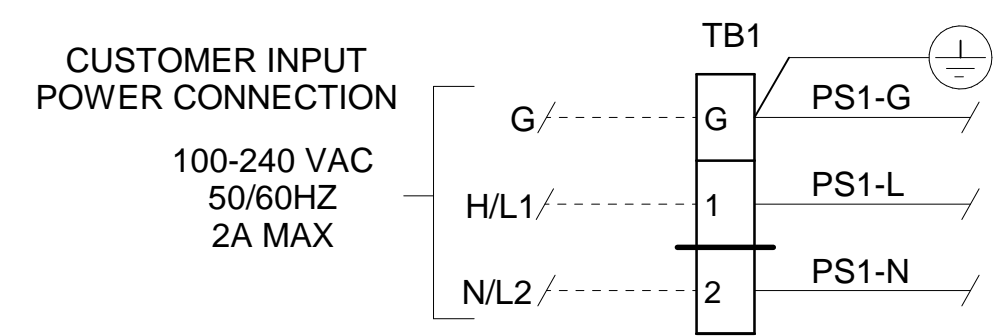
1. ALL TUBING TO BE 1/4" 316SS (UNLESS OTHERWISE NOTED)
2. ALL WETTED MATERIALS ARE STAINLESS STEEL
3. SAMPLE TEMPERATURE SETPOINT IN CONTROLLER IS 65°F UNLESS OTHERWISE STATED ON P.O.

- 4 SET VORTEX TUBE 3.5 TURNS FROM BOTTOM.
- 5 ENCLOSURE PURGE FITTING (<1 L/M).
- 6 BORED OUT FITTING 4954-1095-SW.

ITEM	QTY	DESCRIPTION	UAI PART NO.
AV1	1	AIR ACTUATED VALVE 1/4" N.C. SPRING RETURN	4955-0109
SV2	1	SOLENOID VALVE 3-WAY 24VDC EXP. PROOF	4955-0260
EP	1	1/4" TUBE W/ SNUBBER, 2µm	4954-0177
SV1,3	2	SOLENOID VALVE 2-WAY 24VDC EXP. PROOF	4955-1141
VC1,2	2	VORTEX COOLER 40 SCFM	4960-1013
VM1,2	2	VORTEX MUFFLER - HOT	4960-1011
CLR	1	CONTROLLER	5600-1251



5200 Convoir Drive Carson City, NV 89706 PH(775)883-2500 FAX (775)883-6388		3	02/07/18	CHANGES PER REDLINES	RM	BW
UNIVERSAL Analyzers Inc.		AMETEK		REVISIONS		
P & ID		DATE	03/31/2017	SCALE	NTS	SIZE
PART NO.	1221-LC-V2	FOR	-	DRAWN BY	A. FLORES	ECO#
		APVD BY	B. WOLF			SHEET 3 OF 4
						DRAWING NO. P2788



- NOTES:
- ELECTRICAL CLASSIFICATION DESIGNED FOR CLASS 1, DIV2, GROUPS A, B, C, D. ALL ELECTRICAL COMPONENTS ARE SELF-CERTIFIED FOR HAZARDOUS AREA USAGE BY THE RESPECTIVE VENDOR. THIS ASSEMBLY HAS NOT BEEN CERTIFIED.
 - WIRING SHALL BE IN ACCORDANCE WITH APPLICABLE NEC CODE. ELECTRICAL MATERIALS SHALL BE LABELED BY: UL, FM OR CSA (WIRE AND TERMINALS ONLY) THE FOLLOWING WIRE SIZES ARE EXCLUSIVE OF INTEGRATED COMPONENT WIRE SIZE: ALL WIRES: TFE 300V INSULATION, 18 AWG MINIMUM, STRANDED COPPER CONDUCTOR
 - COLOR CODING:

AC	DC	SIGNAL & ALARM
H/L1 - BLACK	POSITIVE - RED	ALL - YELLOW
N/L2 - WHITE	NEGATIVE - BLUE	
GROUND - GREEN		
 - POWER SUPPLY AND RELAYS SHALL BE LOCATED ON TB DIN RAIL
 - ENCLOSURE DOOR SHALL BE GROUNDED TO BACK PANEL
 - TB1 & TB2 SHALL BE SEGREGATED

7 FOR CUSTOMER SUPPLIED 24 VOLT OPTION, DISCONNECT PS1 AND WIRE DIRECTLY TO TB2-1 (+24V) AND TB2-8 (0V).

FIELD TO WIRE

5200 Convoir Drive Carson City, NV 89706 PH(775)883-2500 FAX (775)883-6388		3	02/07/18	CHANGES PER REDLINES	RM	BW
		REV	DATE	DESCRIPTION	DWN/ APVD	
		REVISIONS				
WIRING DIAGRAM		DATE	SCALE	SIZE	SHEET	
PART NO.		03/31/2017	NTS	D	4 OF 4	
FOR		DRAWN BY	A. FLORES	ECO#	DRAWING NO.	
1221-LC-V2		APVD BY	B. WOLF	-	P2788	