

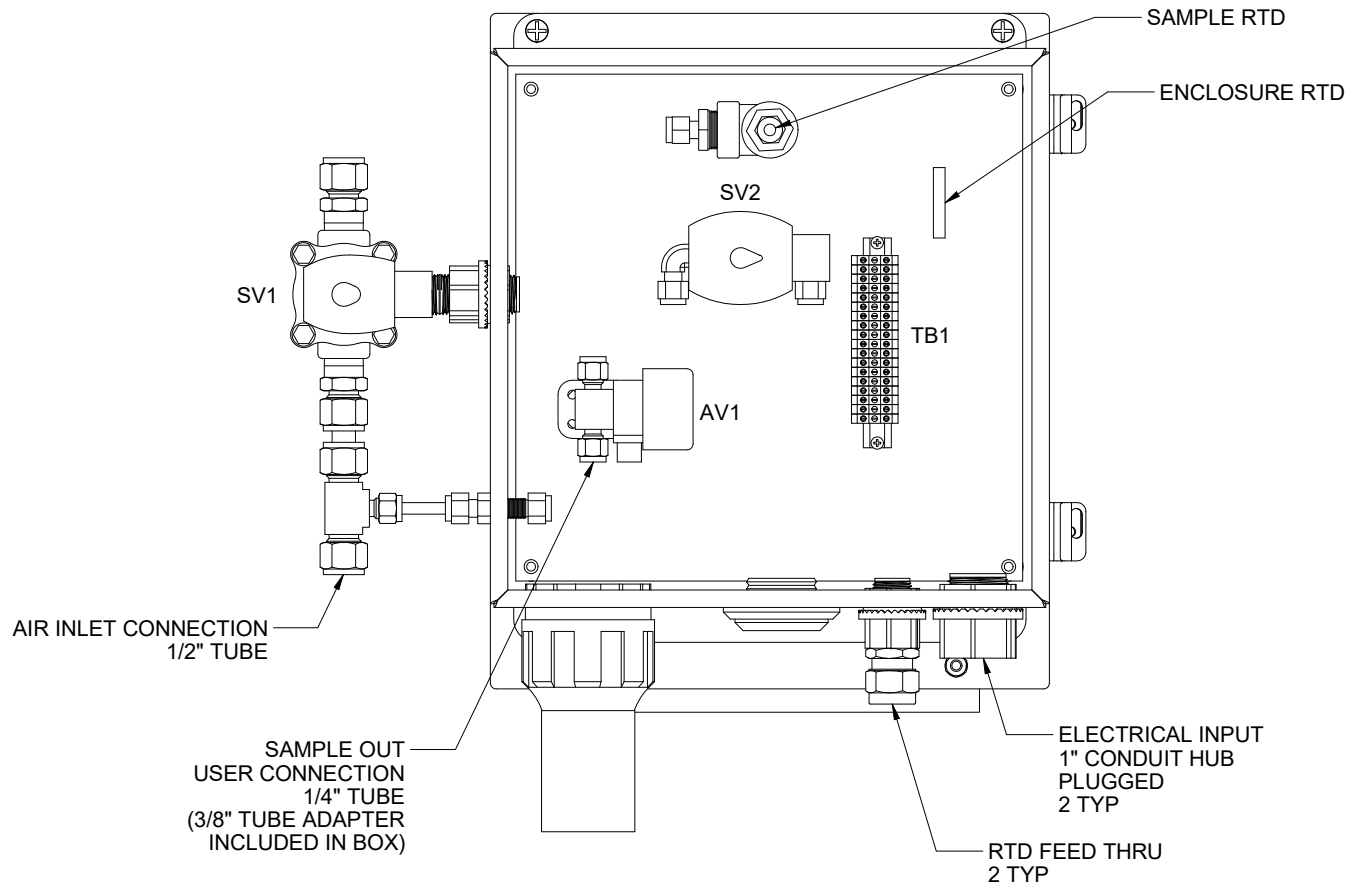




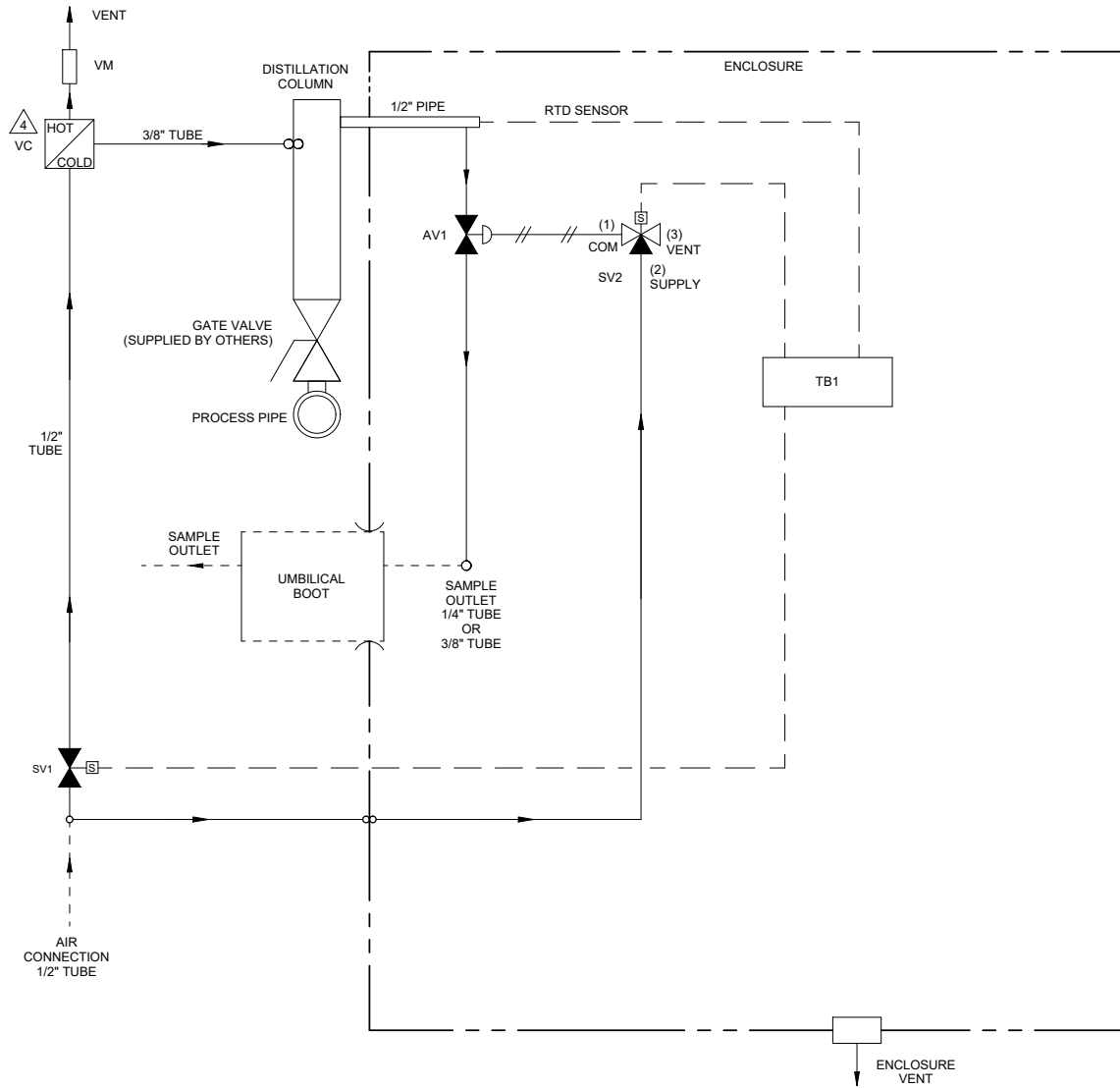
NOTES:

- 1 VORTEX COOLER REQUIRES 35-40 SCFM @ 80-100 PSIG DEWPOINT \leq -40°F RECOMMENDED. TYPICAL CYCLE IS 20% ON.
- 2 UNIT HEIGHT VARIES PER FLANGE OPTIONS, +1", -4"
- 3 LIFTING WEIGHT: 150LBS. NOTE THAT THE EYELET IS NOT LOCATED DIRECTLY ABOVE CENTER OF GRAVITY
- 4 HEATED SAMPLE LINE RECOMMENDED @ 140°F MINIMUM FOR MOST APPLICATIONS.
- 5 SAMPLE FLOW RECOMMENDED 1-4 L/M
- 6 CUSTOMER I.D. TAG IF SPECIFIED ON PO. GRAVOPLY SECURED WITH SCREWS OR RIVETS. 1/2" TEXT HEIGHT, WHITE ON BLACK

5200 Convoir Drive Carson City, NV 89706 PH(775)883-2000 FAX (775)883-6388		5	04/20/17	NEW CONTROLLER REVISION	CS	BW
 		REV	DATE	DESCRIPTION	DWN/APVD	
DISTILLATION PROBE		REVISIONS				
REMOTE CONTROL, AIR COOLED		DATE	SCALE	SIZE	SHEET	
PART NO.	FOR	02/02/2017	NTS	D	1 OF 4	
1221-RC-V	-	DRAWN BY	C. SHIELDS	ECO#	DRAWING NO.	
		APVD BY	B. WOLF	-	P2785	

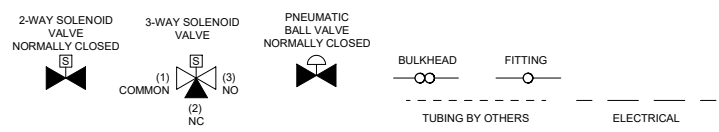


5200 Convoir Drive Carson City, NV 89706 PH(775)883-2000 FAX (775)883-6388		5	04/20/17	NEW CONTROLLER REVISION	CS	BW
 		REV	DATE	DESCRIPTION	DWN/APVD	
REVISIONS						
INTERIOR LAYOUT		DATE	SCALE	SIZE	SHEET	
PART NO.		FOR	NTS	D	2 OF 4	
1221-RC-V	-	DRAWN BY	C. SHIELDS	ECO#	DRAWING NO.	
		APVD BY	B. WOLF	-	P2785	



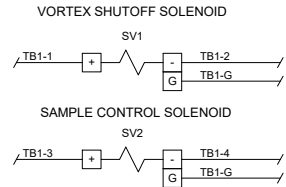
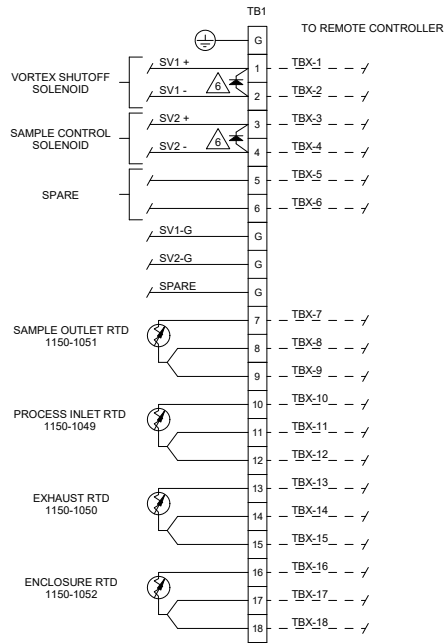
- NOTES:
1. ALL TUBING TO BE 1/4" 316SS (UNLESS OTHERWISE NOTED)
 2. ALL WETTED MATERIALS ARE STAINLESS STEEL
 3. SAMPLE TEMPERATURE SETPOINT IN REMOTE CONTROLLER (NOT SHOWN) IS 65°F UNLESS OTHERWISE STATED ON P.O.
- △ SET VORTEX TUBE 3.5 TURNS FROM BOTTOM.

LEGEND



ITEM	QTY	DESCRIPTION	UAI PART NO.
AV1	1	AIR ACTUATED VALVE 1/4" N.C. SPRING RETURN	4955-0109
SV2	1	SOLENOID VALVE 3-WAY 24VDC EXP. PROOF	4955-0260
SV1	1	SOLENOID VALVE 2-WAY 24VDC EXP. PROOF	4955-1141
VC	1	VORTEX COOLER 40 SCFM	4960-1013
VM	1	VORTEX MUFFLER - HOT	4960-1011

		5	04/20/17	NEW CONTROLLER REVISION	CS	BW
P & ID		REV	DATE	DESCRIPTION	DWN/APVD	
PART NO. 1221-RC-V		DATE 01/05/2017		SCALE NTS	SIZE D	SHEET 3 OF 4
FOR -		DRAWN BY C. SHIELDS		ECO# -	DRAWING NO. P2785	
		APVD BY B. WOLF				



NOTES:

- ELECTRICAL CLASSIFICATION DESIGNED FOR CLASS 1, DIV2, GROUPS A, B, C, D.
ALL ELECTRICAL COMPONENTS ARE SELF-CERTIFIED FOR HAZARDOUS AREA USAGE BY THE RESPECTIVE VENDOR. THIS ASSEMBLY HAS NOT BEEN CERTIFIED.
- WIRING SHALL BE IN ACCORDANCE WITH APPLICABLE NEC CODE.
ELECTRICAL MATERIALS SHALL BE LABELED BY: UL, FM OR CSA (WIRE AND TERMINALS ONLY)
THE FOLLOWING WIRE SIZES ARE EXCLUSIVE OF INTEGRATED COMPONENT WIRE SIZE:
ALL WIRES: TFE 300V INSULATION, 18 AWG MINIMUM, STRANDED COPPER CONDUCTOR
- COLOR CODING:

<u>AC</u>	<u>DC</u>	<u>SIGNAL & ALARM</u>
H/L1 - BLACK	POSITIVE - RED	ALL - YELLOW
N/L2 - WHITE	NEGATIVE - BLUE	
GROUND - GREEN		
- ENCLOSURE DOOR SHALL BE GROUNDED TO BACK PANEL
- LABEL ALL CONNECTIONS WITH GRAVOLPY
- INSTALL DIODE 1009-0009 FOR ALL SOLENOIDS

FIELD TO WIRE

5200 Convoir Drive Carson City, NV 89706 PH:775/883-2000 FAX: (775)883-6388		5	04/20/17	NEW CONTROLLER REVISION	CS	BW
		REV DATE		DESCRIPTION	DWN/REV	
WIRING DIAGRAM		DATE		SCALE	SIZE	SHEET
		01/05/2017		NTS	D	4 OF 4
PART NO.	FOR	DRAWN BY	ECO#	APVD BY	DRAWING NO.	
1221-RC-V	-	C. SHIELDS	-	B. WOLF	P2785	