



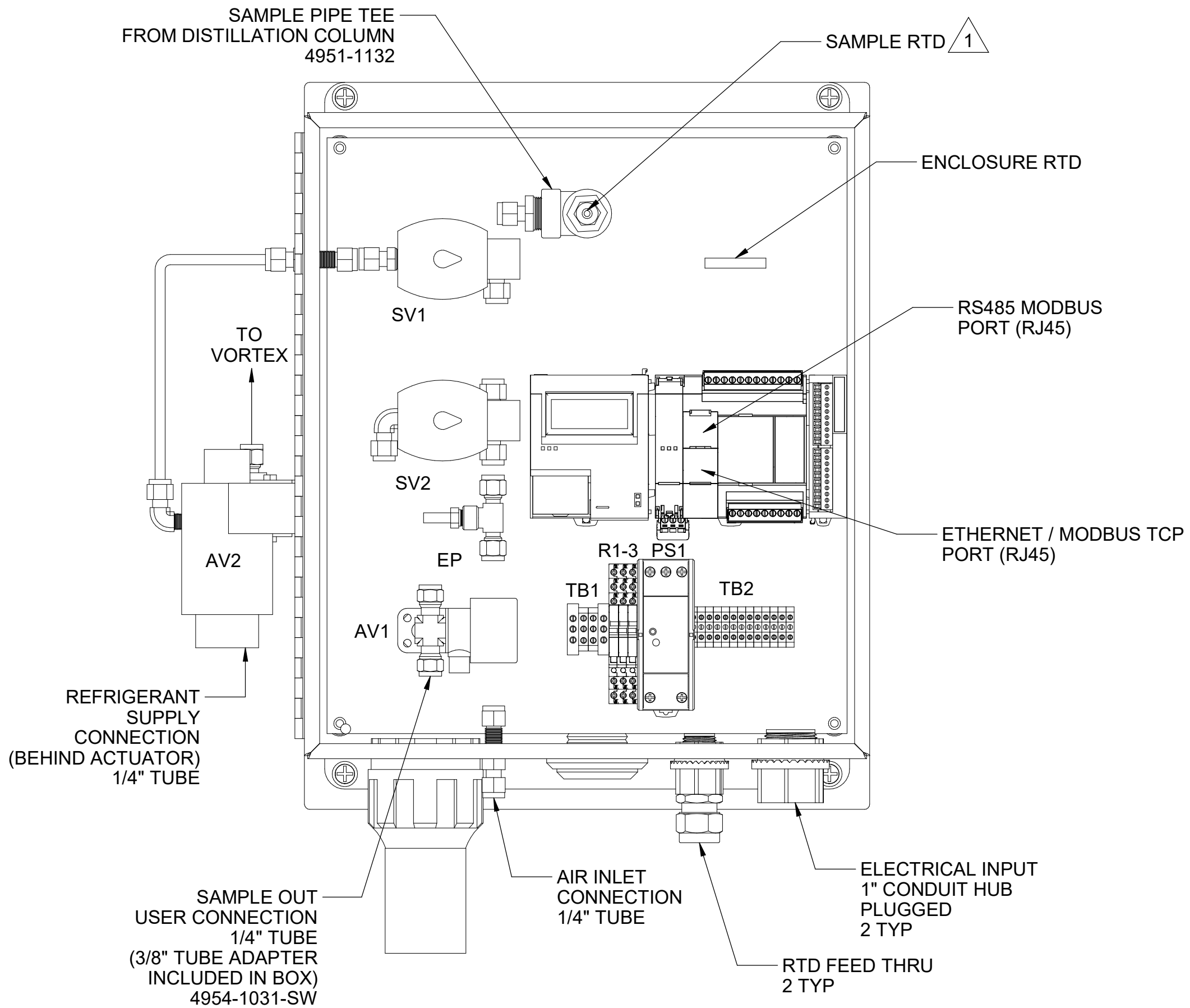
NOTES:

- 1 PRESSURE DROP THRU THE PROBE MUST ACCOMMODATE LIQUID TO GAS EXPANSION. ENSURE ADEQUATE PLUMBING.
- 2 UNIT HEIGHT VARIES PER FLANGE OPTIONS, +1", -4"
- 3 LIFTING WEIGHT: 150LBS. NOTE THAT THE EYELET IS NOT LOCATED DIRECTLY ABOVE CENTER OF GRAVITY
- 4 HEATED SAMPLE LINE RECOMMENDED @ 140°F MINIMUM FOR MOST APPLICATIONS.
- 5) SAMPLE FLOW RECOMMENDED 1-2 L/M
- 6 CUSTOMER I.D. TAG IF SPECIFIED ON PO. ENGRAVED STAINLESS SECURED WITH SCREWS OR RIVETS.
- 7 THE RTD EXTENDS INTO THE MAIN COLUMN AND MUST BE REMOVED PRIOR TO REMOVING THE DISC ASSEMBLY. RTD TO BE INSTALLED UTILIZING A BORED-THRU COMPRESSION FITTING FOR EASE OF REMOVAL AND PROPER SEAL.
- 8 AMBIENT TEMPERATURE OPERATING RANGE: 14°F (-10°C) TO +130°F (+55°C)
- 9 SERIAL/PART NUMBER LABEL INSIDE ON DOOR.

5200 Convair Drive Carson City, NV 89706 PH(775)883-2500 FAX (775)883-6388		6	03/08/18	UPDATE NOTES & FITTINGS	CS	BW
 		REV	DATE	DESCRIPTION	DWN/DPVD	
REVISIONS						
DISTILLATION PROBE LOCAL CONTROL, REFRIGERANT COOLED		DATE	SCALE	SIZE	SHEET	
PART NO.		01/28/2017	NTS	D	1 OF 4	
FOR		DRAWN BY	ECO#	DRAWING NO.		
1221-LC-R		C. SHIELDS	-	P2784		
		APVD BY				
		B. WOLF				



LEFT SIDE VIEW

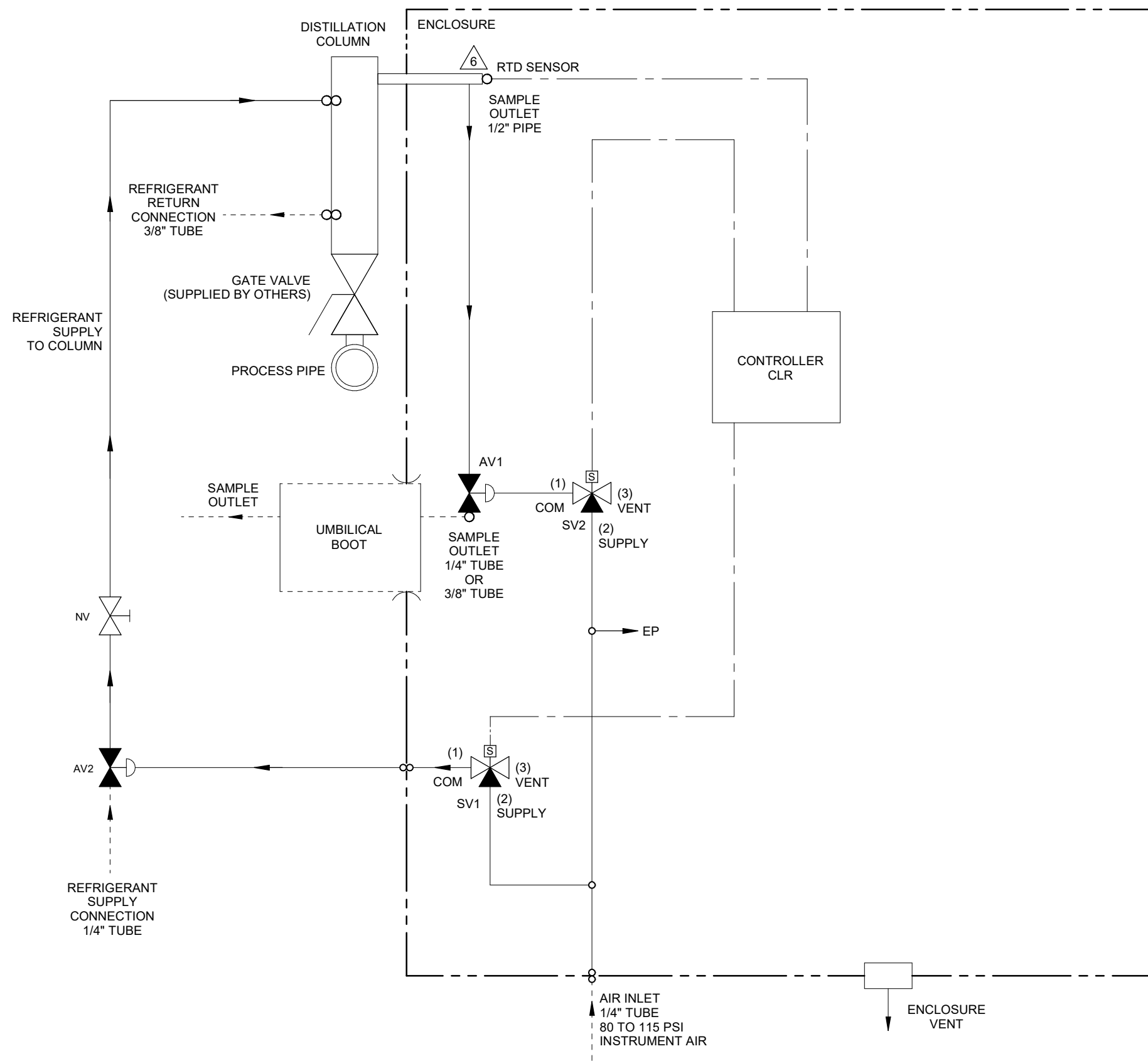
FRONT VIEW



NOTE:

1 THE RTD EXTENDS INTO THE MAIN COLUMN AND MUST BE REMOVED PRIOR TO REMOVING THE DISC ASSEMBLY. RTD TO BE INSTALLED UTILIZING A BORED THRU COMPRESSION FITTING FOR EASE OF REMOVAL AND PROPER SEAL.

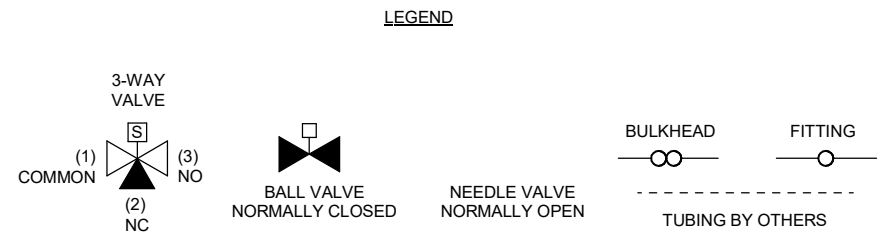
 		6	03/08/18	UPDATE NOTES & FITTINGS	CS	BW
INTERIOR LAYOUT		REV DATE		DESCRIPTION	DWN/APPVD	
PART NO.		FOR		DATE	SCALE	SIZE
1221-LC-R	-	01/28/2017	NTS	D	SHEET	2 OF 4
APVD BY		B. WOLF		ECO#	DRAWING NO.	
-		-		-	P2784	



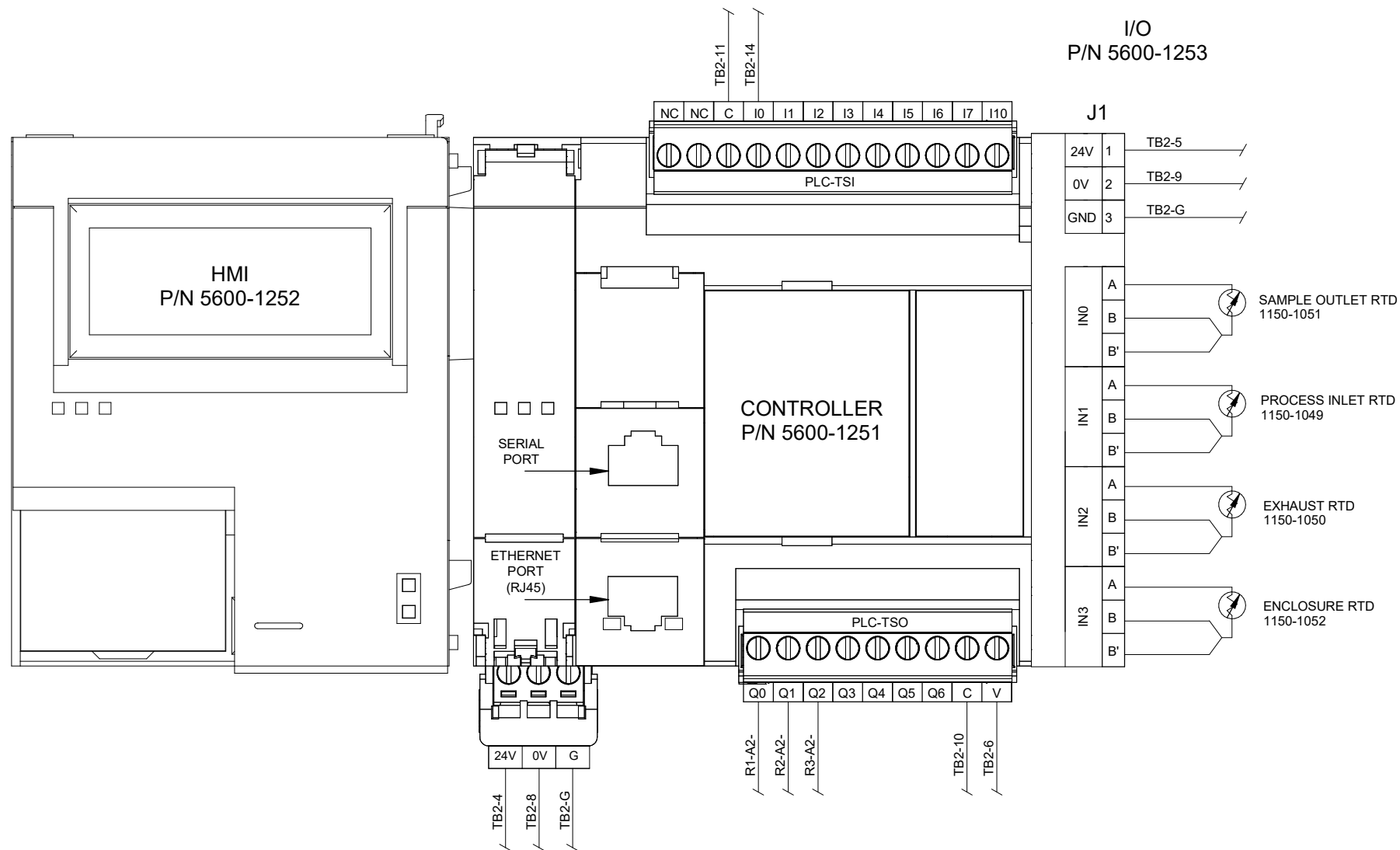
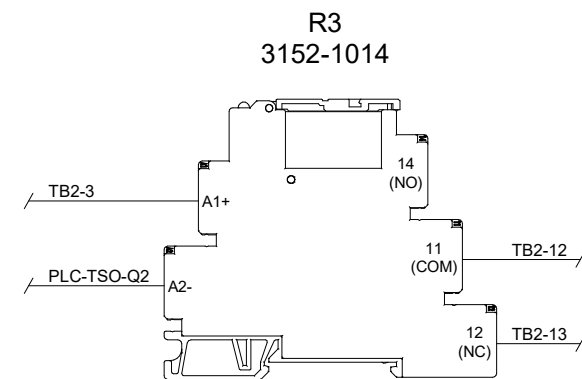
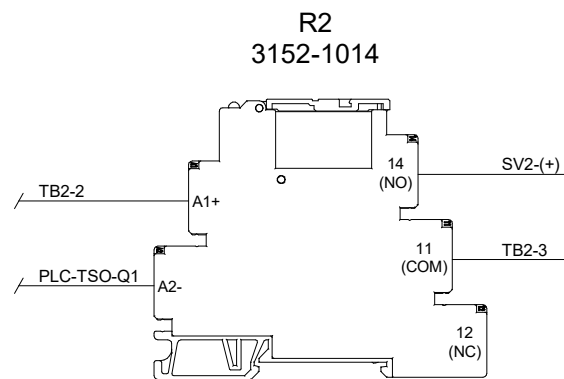
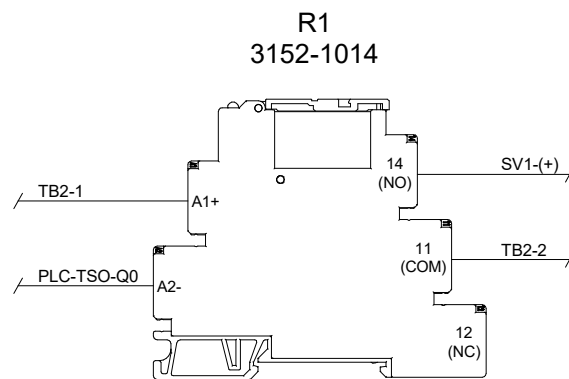
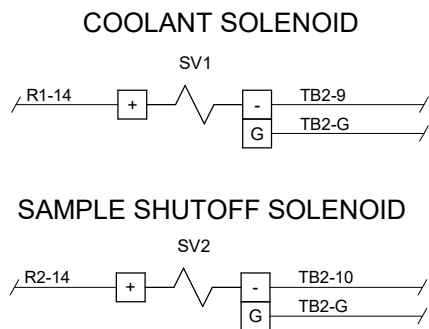
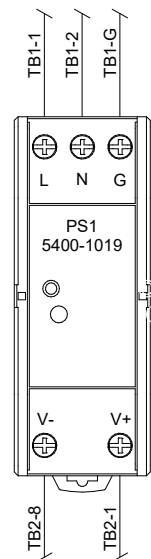
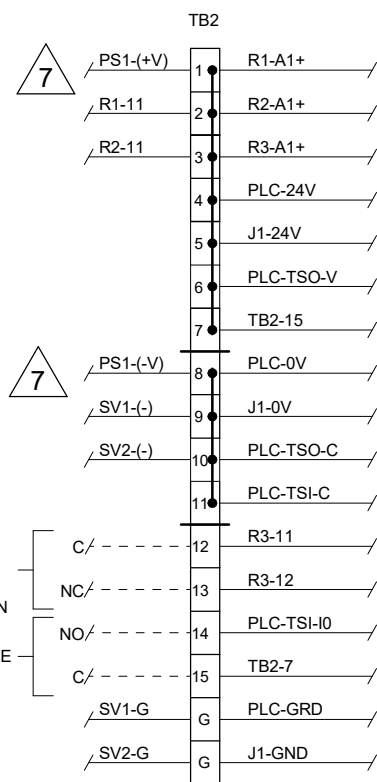
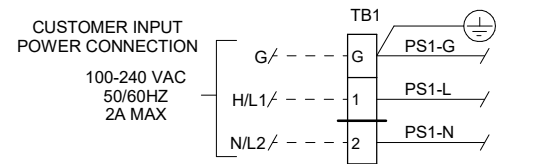
- NOTES:
1. ALL TUBING TO BE 1/4" 316SS (UNLESS OTHERWISE NOTED)
 2. ALL WETTED MATERIALS ARE STAINLESS STEEL
 3. SAMPLE TEMPERATURE SETPOINT IN PLC IS 65°F UNLESS OTHERWISE STATED ON P.O.
 4. LIQUID SUPPLY TEMPERATURE IS RECOMMENDED 20°F LESS THAN PLC SETPOINT, MINIMUM

- 5 ENCLOSURE PURGE FITTING (<1 L/M)
- 6 BORED OUT FITTING 4954-1095-SW

ITEM	QTY	DESCRIPTION	UAI PART NO.
AV1	1	AIR ACTUATED VALVE 1/4" N.C. SPRING RETURN	4955-0109
AV2	1	AIR ACTUATED VALVE 1/4" N.C. SPRING RETURN	4955-1146
SV1,2	2	SOLENOID VALVE 3-WAY 24VDC EXP. PROOF	4955-0260
CLR	1	CONTROLLER	IDEC FC6A
NV	1	MANUAL NEEDLE VALVE FOR EXPANSION	4955-1153
EP	1	1/4" TUBE W/ SNUBBER, 2µm	4954-0177



5200 Convair Drive Carson City, NV 89706 PH(775)883-2500 FAX (775)883-6388		6	03/08/18	UPDATE NOTES & FITTINGS	CS	BW
UNIVERSAL ANALYTICALS INC. AMETEK		REV DATE		DESCRIPTION	DWN/REV	
P & ID		DATE		SCALE	SIZE	SHEET
PART NO.		01/28/2017		NTS	D	3 OF 4
FOR		DRAWN BY C. SHIELDS		ECO#	DRAWING NO.	
1221-LC-R		APVD BY B. WOLF		-	P2784	



NOTES:

- ELECTRICAL CLASSIFICATION DESIGNED FOR CLASS 1, DIV2, GROUPS A, B, C, D. ALL ELECTRICAL COMPONENTS ARE SELF-CERTIFIED FOR HAZARDOUS AREA USAGE BY THE RESPECTIVE VENDOR. THIS ASSEMBLY HAS NOT BEEN CERTIFIED.
- WIRING SHALL BE IN ACCORDANCE WITH APPLICABLE NEC CODE. ELECTRICAL MATERIALS SHALL BE LABELED BY: UL, FM OR CSA (WIRE AND TERMINALS ONLY) THE FOLLOWING WIRE SIZES ARE EXCLUSIVE OF INTEGRATED COMPONENT WIRE SIZE: ALL WIRES: TFE 300V INSULATION, 18 AWG MINIMUM, STRANDED COPPER CONDUCTOR
- COLOR CODING:

<u>AC</u>	<u>DC</u>	<u>SIGNAL & ALARM</u>
H/L1 - BLACK	POSITIVE - RED	ALL - YELLOW
N/L2 - WHITE	NEGATIVE - BLUE	
GROUND - GREEN		
- POWER SUPPLY AND RELAYS SHALL BE LOCATED ON TB DIN RAIL
- ENCLOSURE DOOR SHALL BE GROUNDED TO BACK PANEL
- TB1 & TB2 SHALL BE SEGREGATED

7 TO POWER WITH +24VDC, DISCONNECT PS1 AND WIRE DIRECTLY TO TB2-1 (+24V) AND TB2-8 (0V)

FIELD TO WIRE

5200 Convair Drive Carson City, NV 89706 PH(775)883-2500 FAX (775)883-6388		6	03/08/18	UPDATE NOTES & FITTINGS	CS	BW
		REV	DATE	DESCRIPTION	DWN/APPV	
		REVISIONS				
WIRING DIAGRAM		DATE	SCALE	SIZE	SHEET	
		01/28/2017	NTS	D	4 OF 4	
PART NO.	FOR	DRAWN BY	ECO#	DRAWING NO.		
1221-LC-R	-	C. SHIELDS	-	P2784		
		APVD BY				
		B. WOLF				