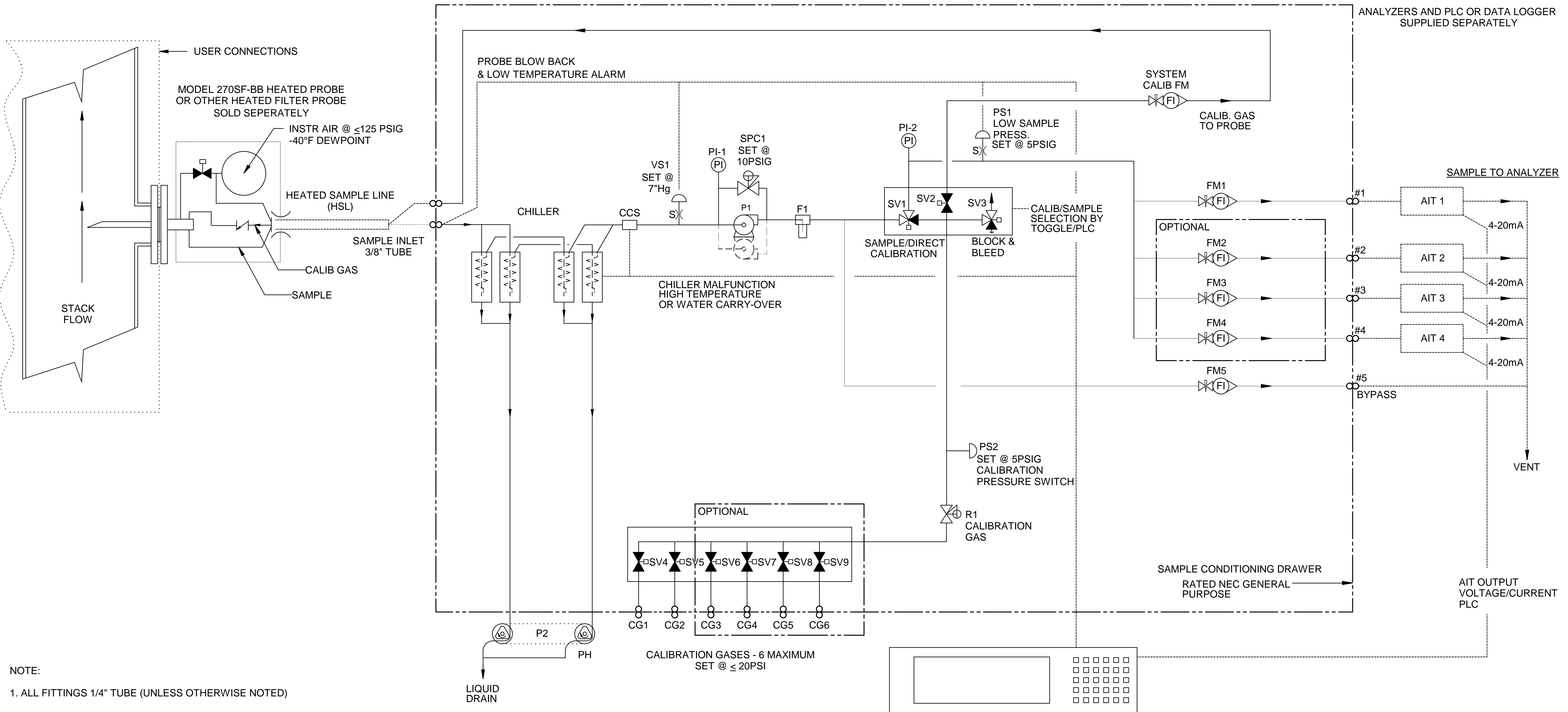


- NOTES:
- 1 OPTIONAL NUMBER OF CAL GASES
 - 2 OPTIONAL NUMBER OF SAMPLE CHANNELS
 - 3 HSL AND TIC1 OPTIONAL
 - 4. SEE SHEET 2 FOR P&ID.
 - 5. SEE SHEET 3 FOR SCD WIRING SCHEMATIC.

Web Doc

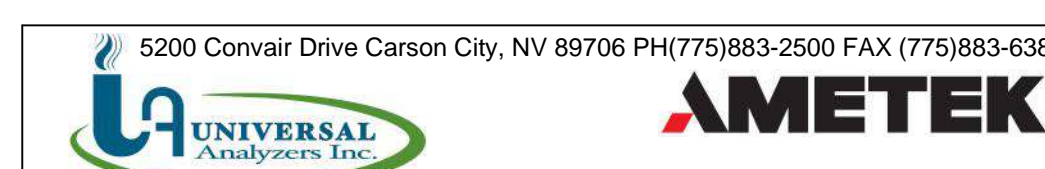
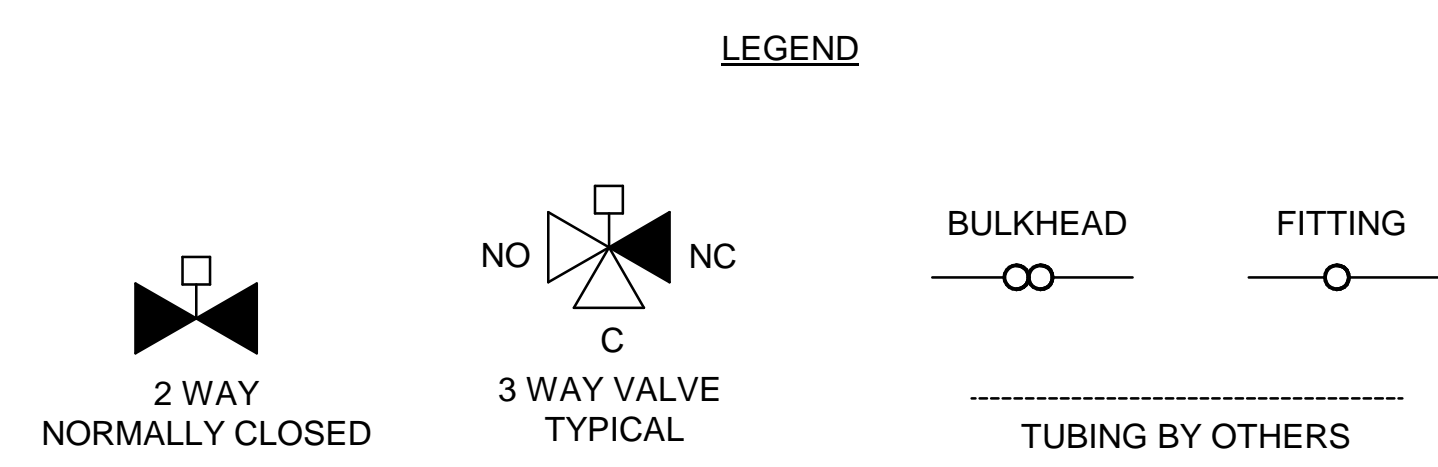
		5200 Convair Drive Carson City, NV 89706 PH(775)883-2500 FAX (775)883-6388	D.6	11/19/20	UPDATE DRAWING STANDARDS	NCU	GE
REV	DATE	DESCRIPTION			DWN	APVD	
MODEL SCD LAYOUT AND DIMENSIONS							
PART NO.		FOR		DATE	SCALE	SIZE	SHEET
SCD-INT		-		02/11/2016	1:2	D	1 OF 4
DRAWN BY		M. Walser		ECO#		DRAWING NO.	
APVD BY		M. Withrow		-		P2526	



NOTE:
1. ALL FITTINGS 1/4" TUBE (UNLESS OTHERWISE NOTED)

- PLC OR DATA LOGGER**
- 1) CALIBRATION/SAMPLE SELECT
 - 2) CALIBRATION GAS SELECT
 - 3) SYSTEM / DIRECT CALIBRATION SELECT - SYSTEM BIAS CALIBRATION
 - 4) PROBE BLOWBACK
 - 5) PROBE LOW TEMPERATURE ALARM
 - 6) CHILLER MALFUNCTION - HIGH TEMPERATURE OR WATER CARRY - OVER
 - 7) HIGH INLET VACUUM - PROBE FILTER INITIATE BLOWBACK OR MAINTENANCE
 - 8) SAMPLE / CALIBRATION GAS PRESSURE LOW - ALARM FOR MAINTENANCE

ITEM	QTY	DESCRIPTION	UAI PART NO.
VS1	1	VACUUM SWITCH 0-29"Hg	3103-0017
CCS	1	CONDENSATE SENSOR KYNAR BODY	CCS
PI-1	1	GAUGE - VACUUM 0-30"Hg LIQUID FILLED SS	3019-0009
SPC1	1	SAMPLE PRESSURE CONTROLLER	4955-0246
P1	1	SAMPLE PUMP 120VAC SINGLE HEAD TEFLON	4958-0025
P1	1	SAMPLE PUMP 230VAC SINGLE HEAD TEFLON	4958-0015
P1	1	SAMPLE PUMP 120VAC DUAL HEAD TEFLON	4958-0026
P1	1	SAMPLE PUMP 230VAC DUAL HEAD TEFLON	4958-0016
PS1 & 2	2	PRESSURE SWITCH 0-15psig	3103-0018
SV1 & 3	2	SOLENOID VALVE 6012SER 24VDC 3-WAY	4955-0041
SV2	1	SOLENOID VALVE 6011SER 24VDC 2-WAY	4955-0040
SV4-9	2-6	SOLENOID VALVE 24VDC 2-WAY	4955-0247
P2	1	PERISTALTIC DRAIN PUMP - 120VAC	4958-0028
P2	1	PERISTALTIC DRAIN PUMP - 230VAC	4958-0045
PH	2	PERISTALTIC PUMP HEAD #15 TUBE	4958-0006
PI-2	1	GAUGE - PRESSURE 0-15psig LIQUID FILLED SS	3019-0008
SYS CAL FM	1	FLOWMETER W/ NEEDLE VALVE 0-10 L/M	4965-0007
FM1,2,3,4	1-4	FLOWMETER W/ NEEDLE VALVE 0-2.5 L/M	4965-0018
FM5	1	FLOWMETER W/ NEEDLE VALVE 0-5 L/M	4965-0008
CHILLER	1	CHILLER ASSEMBLY	570SCD-AD592
R1	1	REGULATOR 0-30psig	8200-1058
S) (2	SNUBBER - #6-32	0000-0000
F1	1	FILTER - KYNAR PANEL MOUNT W/ CERAMIC ELEMENT	4980-0007

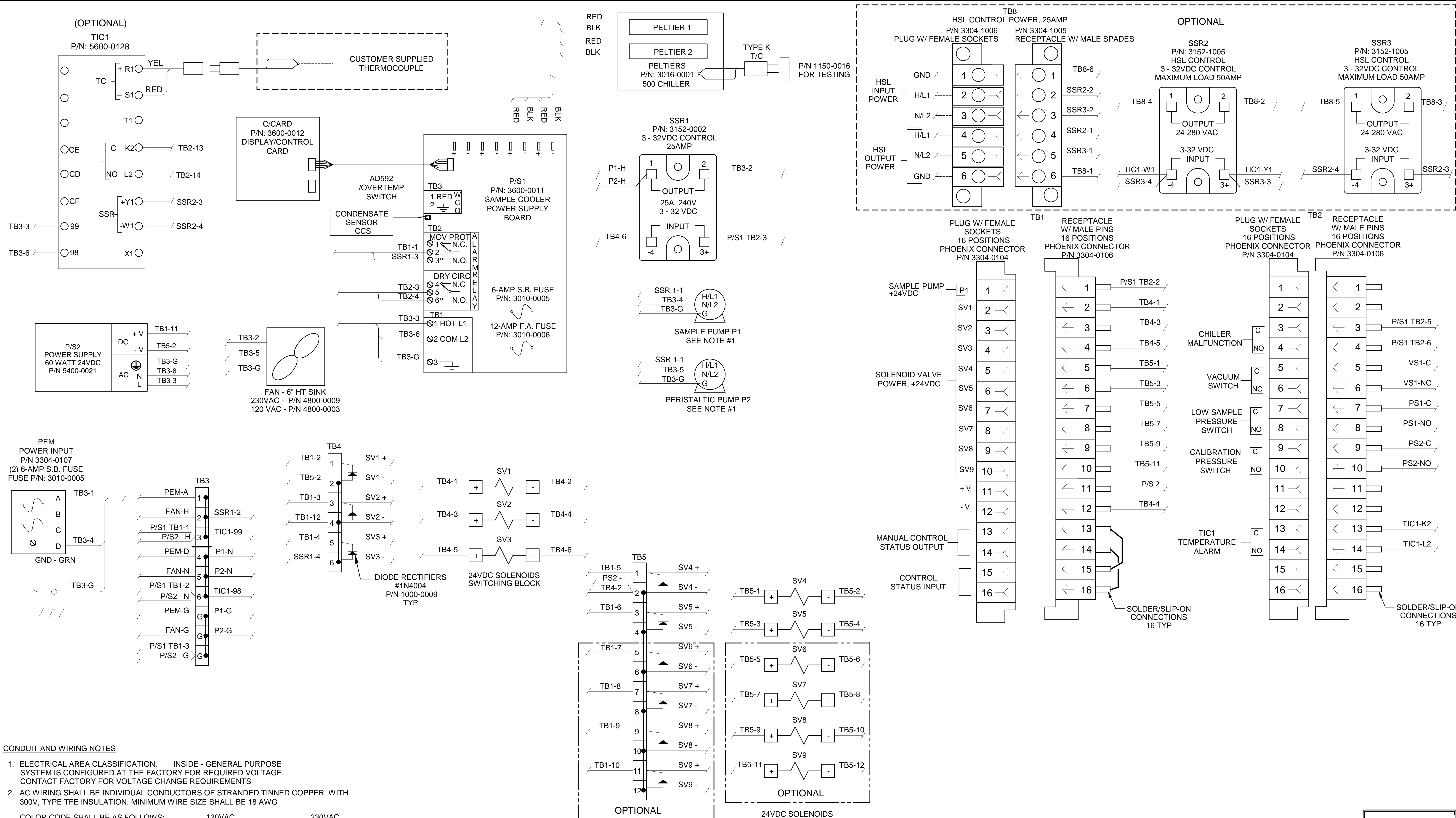


MODEL SCD P&ID

PART NO. SCD-INT FOR -

D.6	11/19/20	UPDATE DRAWING STANDARDS	NCU	GE
REV	DATE	DESCRIPTION	DWN	APVD
REVISIONS				
DATE	SCALE	SIZE	SHEET	
02/11/2016	1 : 2	D	2 OF 4	
DRAWN BY	M. Walser	ECO#	DRAWING NO.	
APVD BY	M. Withrow	-	P2526	

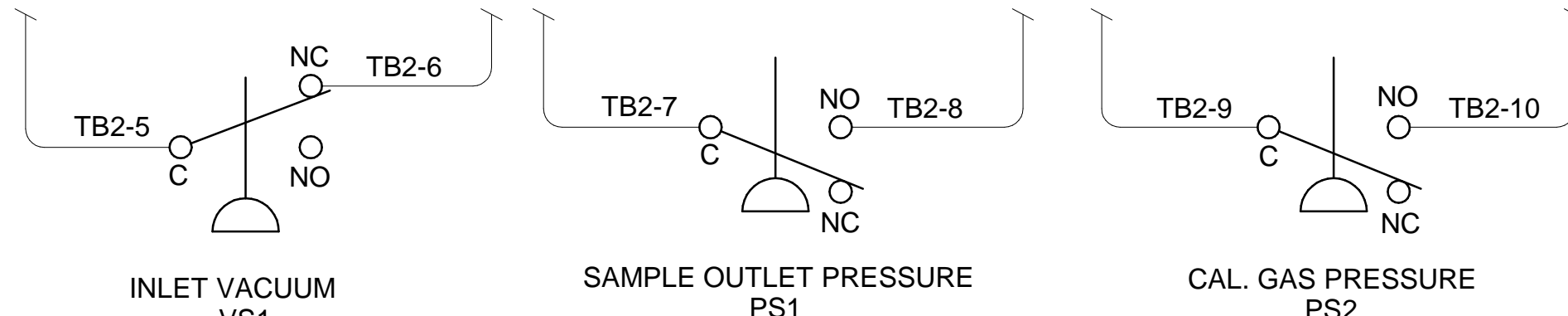
Web Doc



- CONDUIT AND WIRING NOTES**
- ELECTRICAL AREA CLASSIFICATION: INSIDE - GENERAL PURPOSE SYSTEM IS CONFIGURED AT THE FACTORY FOR REQUIRED VOLTAGE. CONTACT FACTORY FOR VOLTAGE CHANGE REQUIREMENTS
 - AC WIRING SHALL BE INDIVIDUAL CONDUCTORS OF STRANDED TINNED COPPER WITH 300V, TYPE TFE INSULATION. MINIMUM WIRE SIZE SHALL BE 18 AWG
 COLOR CODE SHALL BE AS FOLLOWS:

120VAC	230VAC
HOT - BLACK	L1 - BROWN
NEUTRAL - WHITE	L2 - BLUE
GROUND - GREEN	GROUND - GREEN
 - DC CONTROL WIRING SHALL BE INDIVIDUAL CONDUCTORS OF STRANDED TINNED COPPER WITH 300V, TYPE TFE INSULATION. MINIMUM WIRE SIZE SHALL BE 22 AWG.
 COLOR CODE SHALL BE AS FOLLOWS:

115VAC	230VAC
+ RED	+ RED
- BLUE	- BLACK
 - CHASSIS GROUND MINIMUM WIRE SIZE 14AWG GREEN / YELLOW



5200 Convoir Drive Carson City, NV 89706 PH(775)883-2500 FAX (775)883-6388

UNIVERSAL ANALYTICALS INC. **AMETEK**

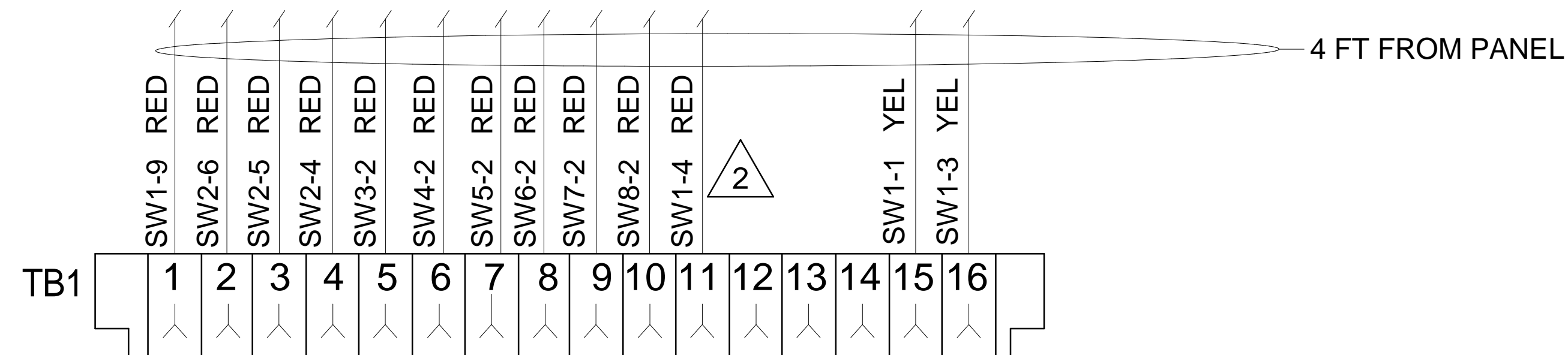
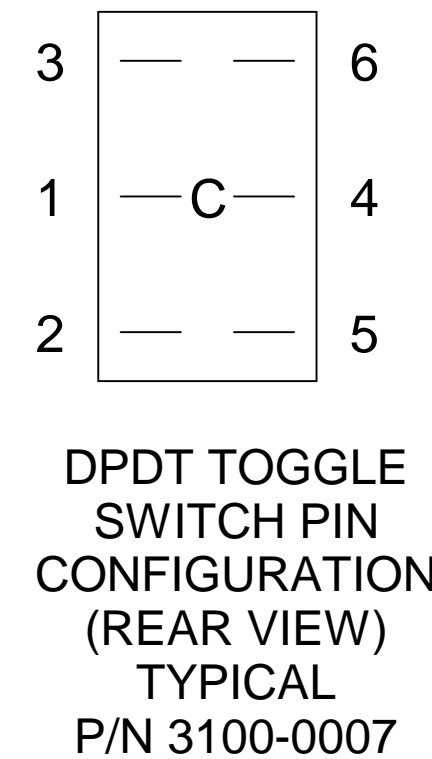
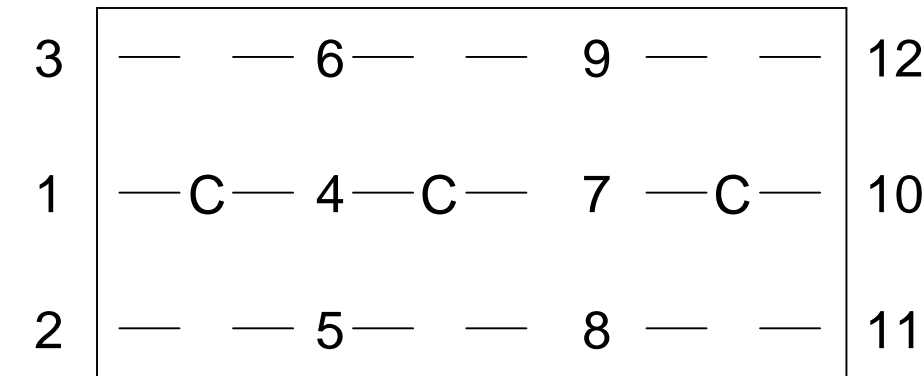
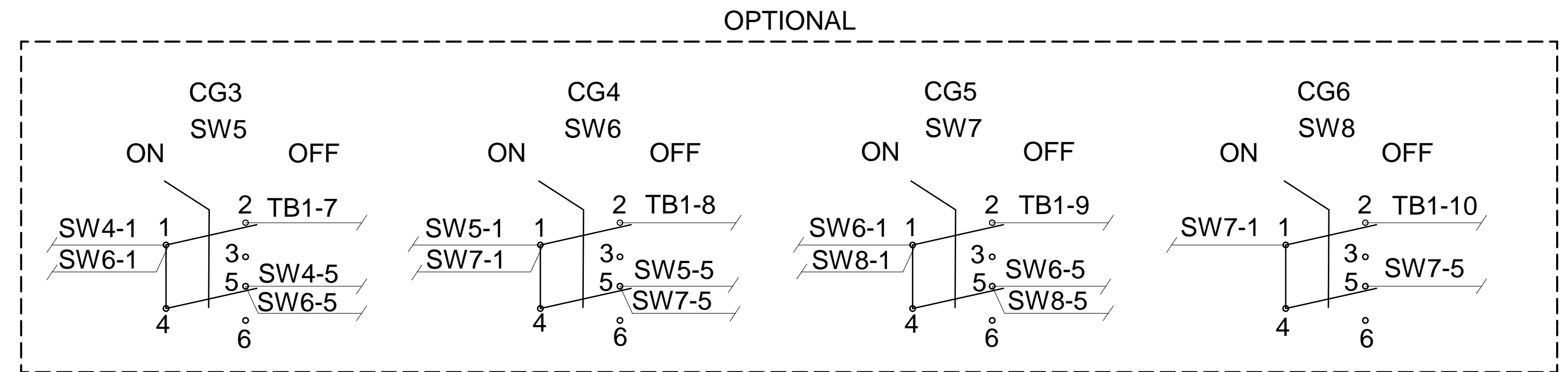
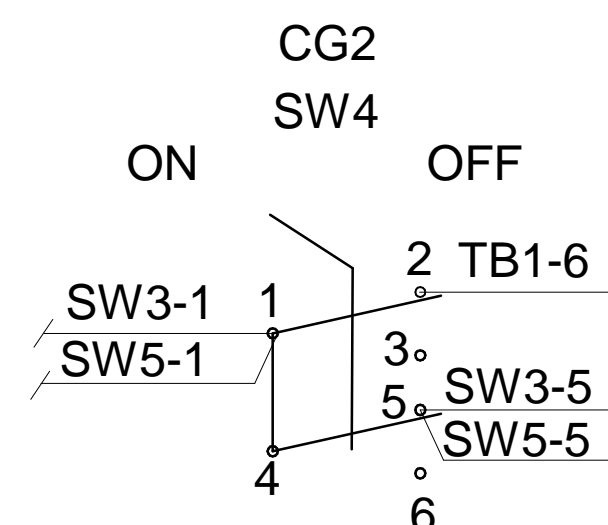
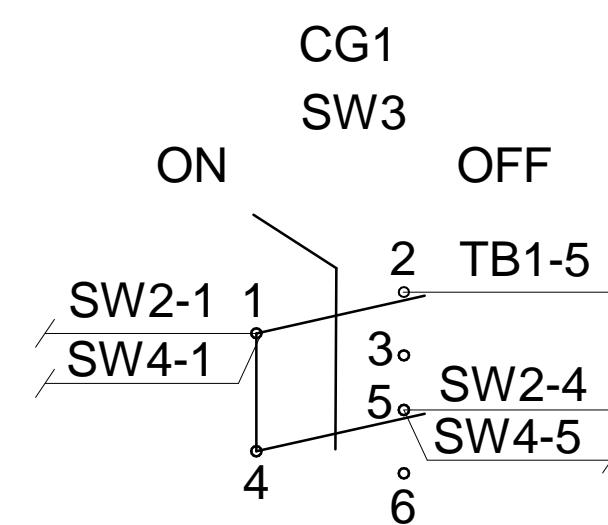
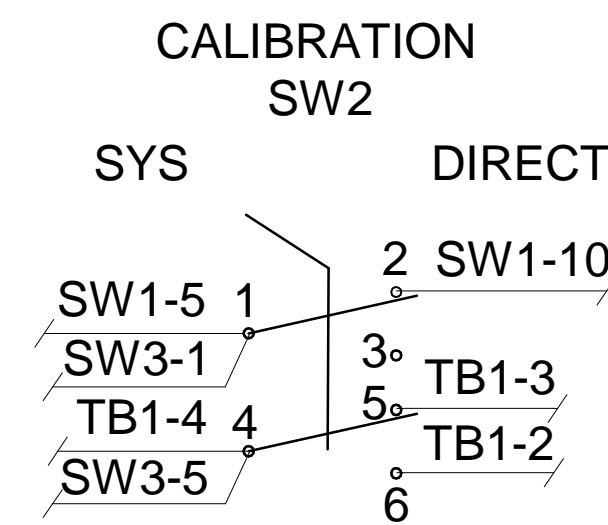
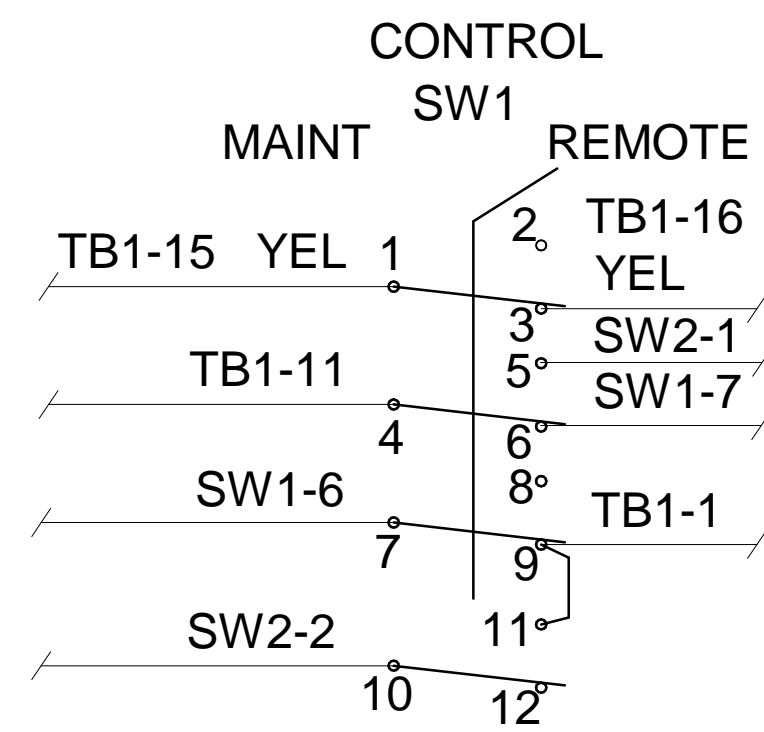
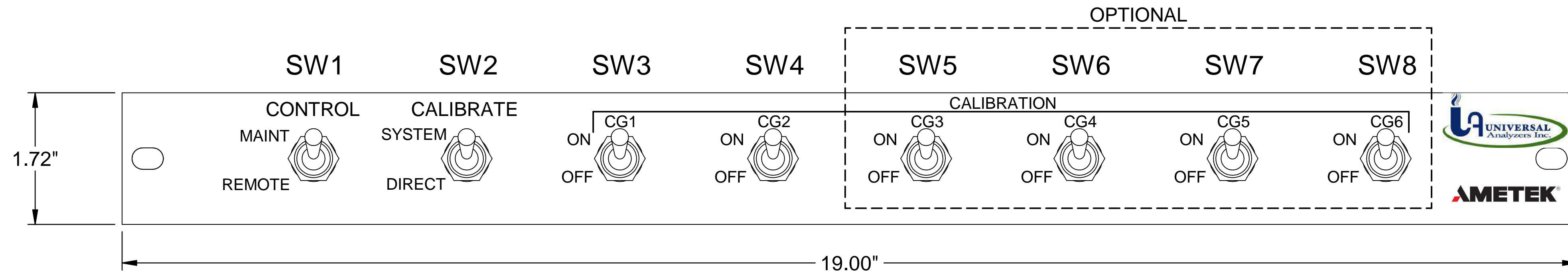
D.6	11/19/20	UPDATE DRAWING STANDARDS	NCU	GE
REV	DATE	DESCRIPTION	DWN APVD	
REVISIONS				
DATE	SCALE	SIZE	SHEET	
02/11/2016	1:2	D	3 OF 4	
DRAWN BY	M. Walser	ECO#	DRAWING NO.	
APVD BY	M. Withrow	-	P2526	

MODEL SCD WIRING SCHEMATIC

PART NO. SCD-INT FOR -

Web Doc

TOGGLE SWITCH PANEL





CONNECTOR PIN NUMBERS DIRECTLY MATCH TB1 TERMINATIONS BETWEEN TOGGLE SWITCHES AND TERMINAL BLOCK. PHOENIX CONNECTOR (P/N 3304-0104)

NOTES:

1. ALL WIRES ARE 22AWG.

2. POWER WIRE FROM TB1-11 TO SW1-4 IS 24VDC, INTERNALLY SUPPLIED.

Web Doc

5200 Convair Drive Carson City, NV 89706 PH(775)883-2500 FAX (775)883-6388		D.6	11/19/20	UPDATE DRAWING STANDARDS	NCU	GE
 		REV	DATE	DESCRIPTION	DWN	APVD
TOGGLE SWITCH CONTROL WIRING SCHEMATIC						
PART NO. SCD-INT		FOR -		DATE 02/11/2016	SCALE 1:2	SHEET 4 OF 4
DRAWN BY M. Waiser		APVD BY M. Withrow		ECO#	DRAWING NO. P2526	