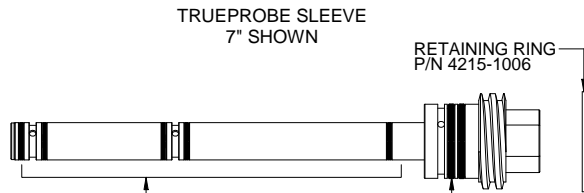


TRUEPROBE SHROUD
7" SHOWN

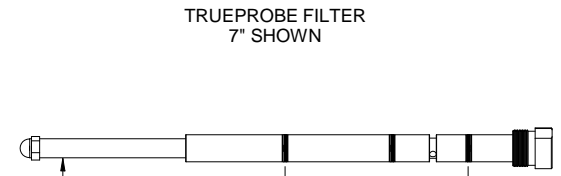


TRUEPROBE SLEEVE
7" SHOWN

RETAINING RING
P/N 4215-1006

LOWER SHEATH O-RINGS :
VITON P/N 4904-2043
KALREZ P/N 4904-2046

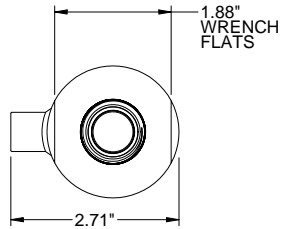
UPPER SHEATH O-RINGS :
VITON P/N 4904-2045
KALREZ P/N 4904-2048



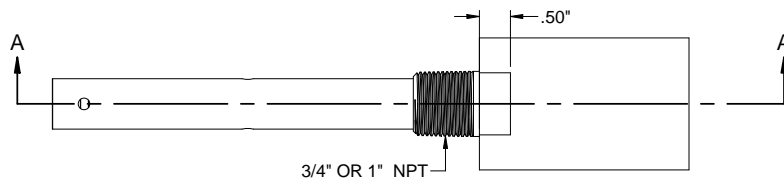
TRUEPROBE FILTER
7" SHOWN

FILTER O-RINGS :
VITON P/N 4904-2044
KALREZ P/N 4904-2047

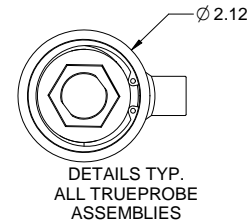
FILTER ELEMENT
P/N 4980-1113-1.5 POROUS PTFE FOR 4"
P/N 4980-1114-3 POROUS PTFE FOR 7", 9" & 12"
TRUE PROBE ASSEMBLIES



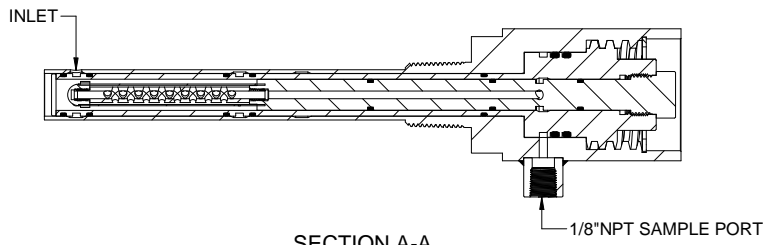
DETAILS TYP.
ALL TRUEPROBE
ASSEMBLIES



DETAILS TYP.
ALL TRUEPROBE
ASSEMBLIES

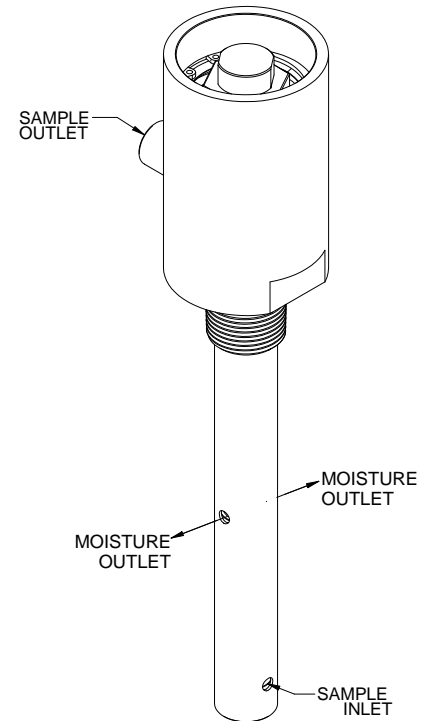


DETAILS TYP.
ALL TRUEPROBE
ASSEMBLIES



SECTION A-A

1/8" NPT SAMPLE PORT





SAMPLE
OUTLET

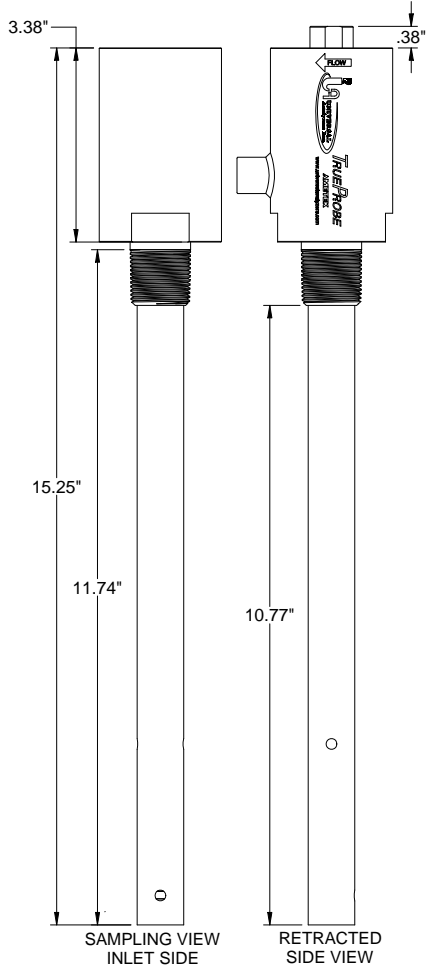
MOISTURE
OUTLET

MOISTURE
OUTLET

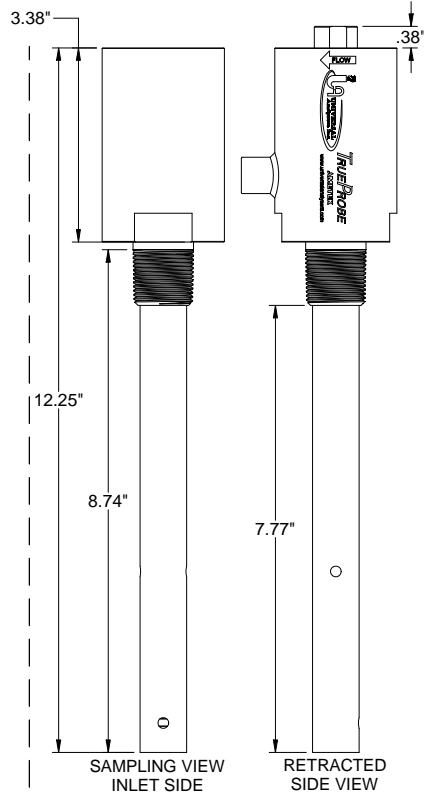
SAMPLE
INLET

5200 Conair Drive Carson City, NV 89706 PH(775)883-2500 FAX (775)883-6388		C	05/28/16	UPDATE FILTER HOLDER MODEL	CK	DR
 		REV	DATE	DESCRIPTION	DWN	APVD
TrueProbe						
FOR		DATE		SCALE	SIZE	SHEET
SEE TABLE		07/26/2014		1:1	D	1 OF 2
DRAWN BY		ECO#		DRAWING NO.		
W. COWAN		2817		P2167		
APVD BY		DATE				
J. PUTZIER		2817				

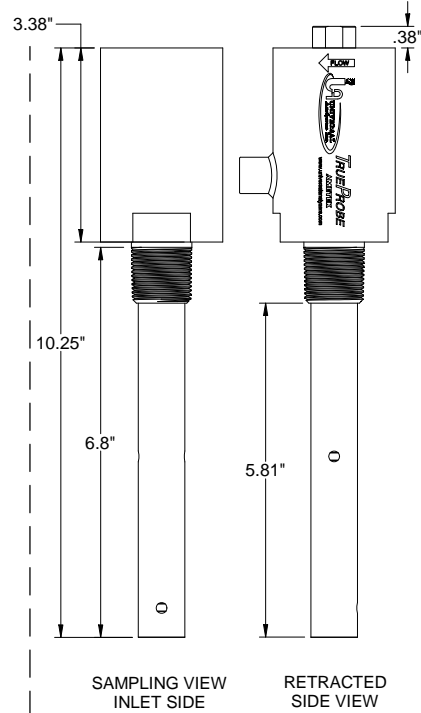
TRUE-12



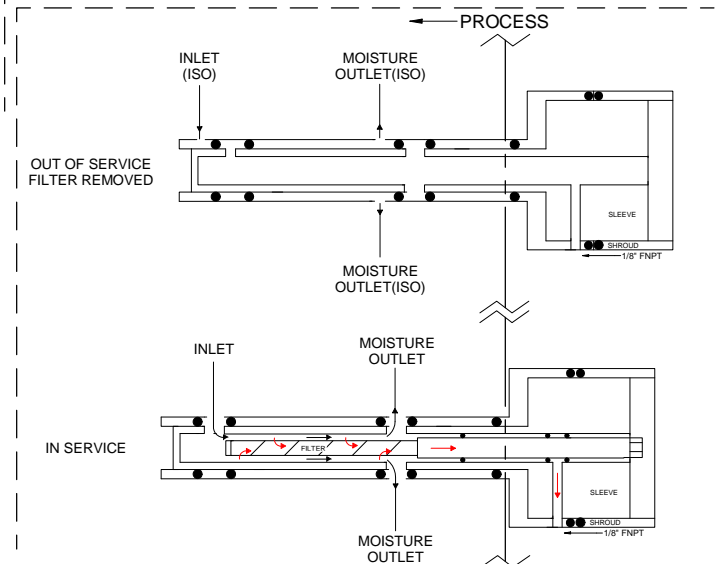
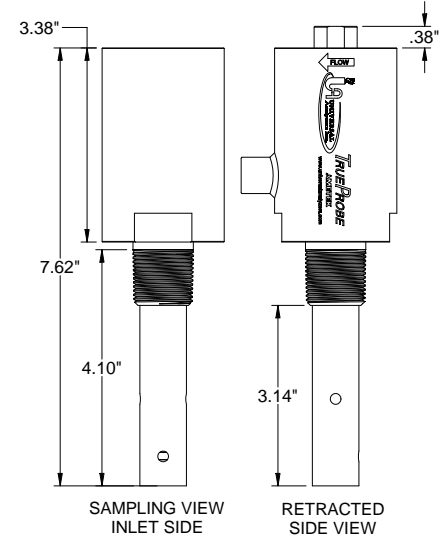
TRUE-9





TRUE-7



TRUE-4



 City, NV 89706 PH(775)883-2500 FAX (775)883-6388		C	05/28/16	UPDATE FILTER HOLDER MODEL	CK	DR
		REV	DATE	DESCRIPTION	DWN	APVD
TrueProbe						
		DATE	07/26/2014	SCALE	1:1	SIZE
		DRAWN BY	W. COWAN	ECO#	2817	SHEET
		APVD BY	J. PUTZIER			2 OF 2
		FOR	TRUEPROBE			DRAWING NO.
						P2167