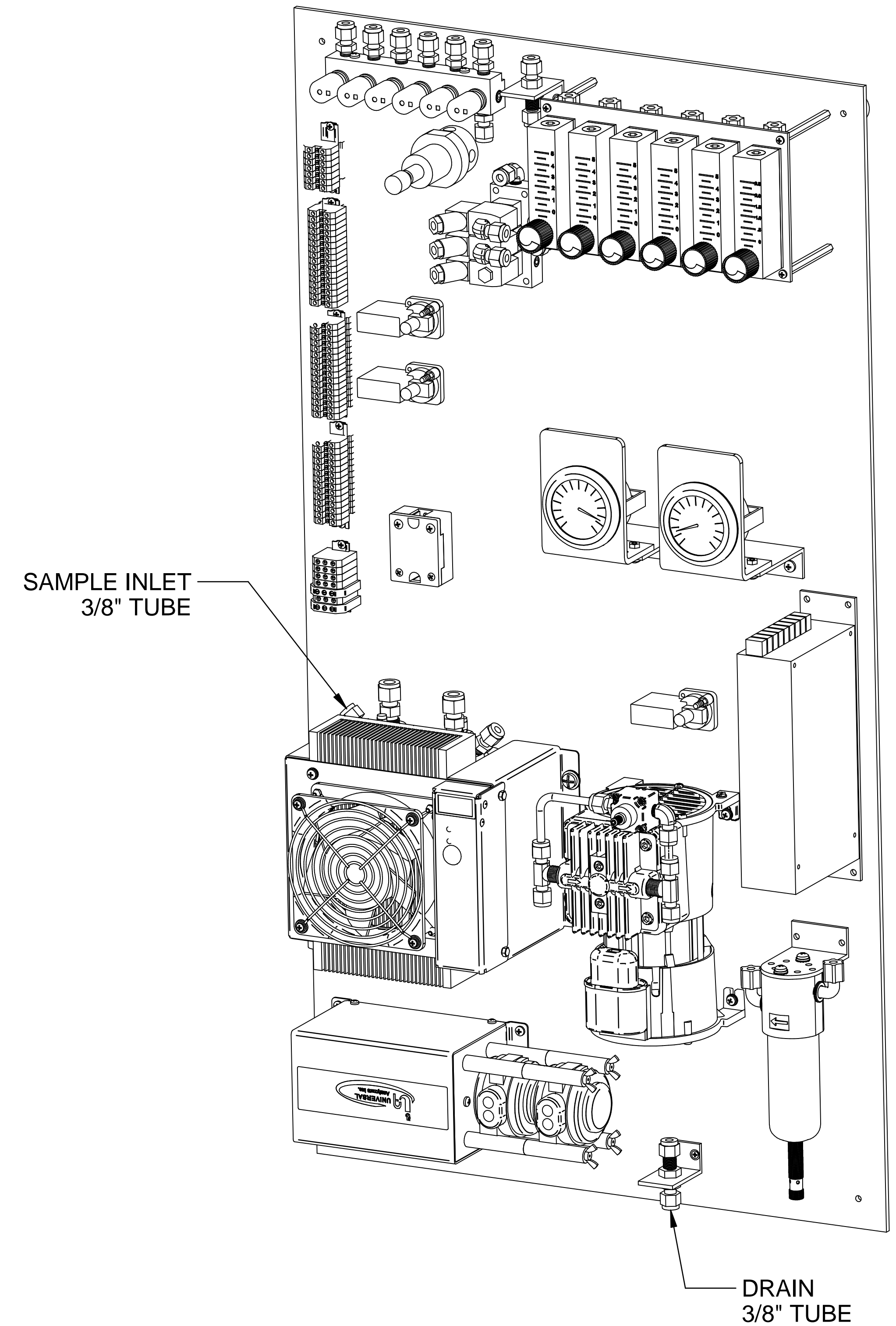


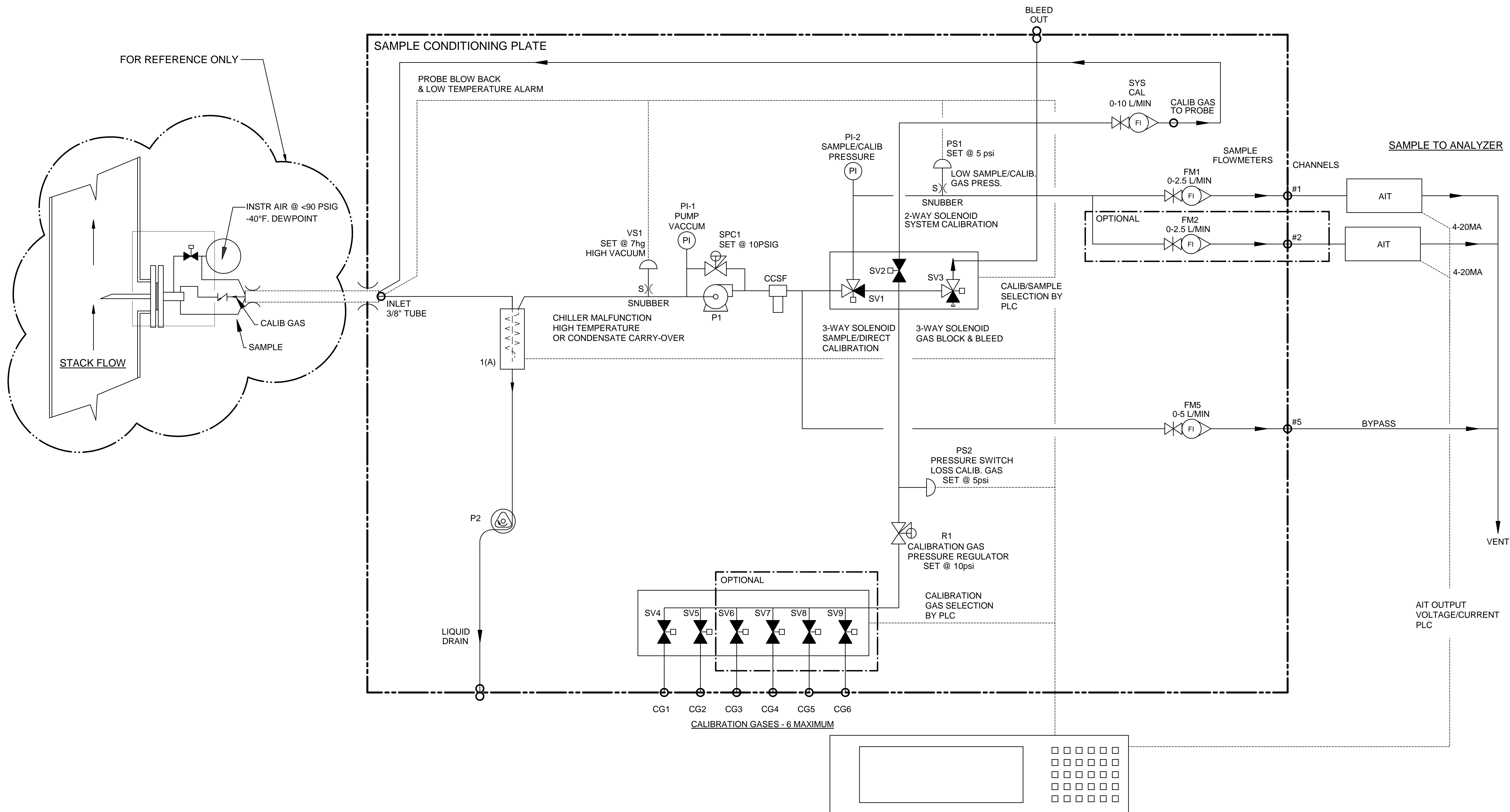


FRONT VIEW



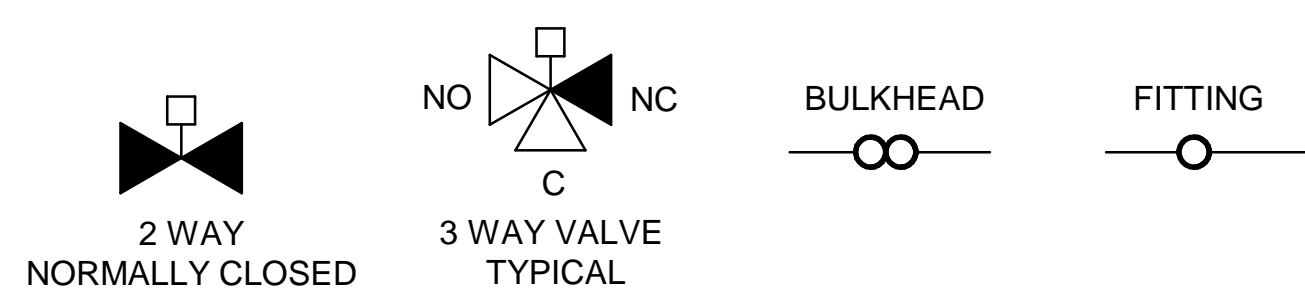
ISOMETRIC VIEW

 		A	6/18/16	AS BUILT	CK	MW
Model 600 Series Layout & Dimensions		REV	DATE	DESCRIPTION	DWN/APVD	
		REVISIONS				
		DATE	SCALE	SIZE	SHEET	
		09/18/2013	NTS	D	1 OF 5	
PART NO.	FOR	DRAWN BY	ECO#	DRAWING NO.		
600-SCP-INT	600 Series	M. Walser	2807	P2012		
		APVD BY				
		M. Withrow				



Item	Qty	Description	UAI Part No.
VS1	1	Vacuum Switch Air-Logic 0-29"hg	3103-0017
CCSF	1	Condensate Sensor	CCSF-0007
PI-1	1	Gauge - Vacuum 0-30"Hg Liquid Filled S.S.	3019-0009
SPC1	1	Sample Pressure Controller	4955-0246
P1	1	Pump - Sample 115Vac Single Head	4958-0025
P1	1	Pump - Sample 230Vac Single Head	4958-0015
PS1,2	2	Pressure Switch Air-Logic F-5100-15 15psig	3103-0018
SV1,3	2	Solenoid Valve-Burkert 6012SER	4955-0041
SV2	1	Solenoid Valve-Burkert 6011SER 85psig	4955-0040
SV4-9	6	Solenoid Valve-Asco	4955-0247
PI-2	1	Gauge - Pressure 0-15psig Liquid Filled S.S.	3019-0008
SYS CAL	1	Flowmeter W/Needle Valve 0-10 l/m	4965-0007
FM1-4	4	Flowmeter W/Needle Valve 0-2.5 l/m	4965-0018
FM5	1	Flowmeter W/Needle Valve 0-5 l/m	4965-0008
CHILLER	1	Universal Analyzers Model 624	624
R1	1	Regulator - Porter Model #8268 0-30psig	8200-0008
S)	1	Snubber - #6-32	0000-0000
P2	1	Pump - Peristaltic Drain 115Vac Single Head	4958-0011
P2	1	Pump - Peristaltic Drain 230Vac Single Head	4958-0013

LEGEND

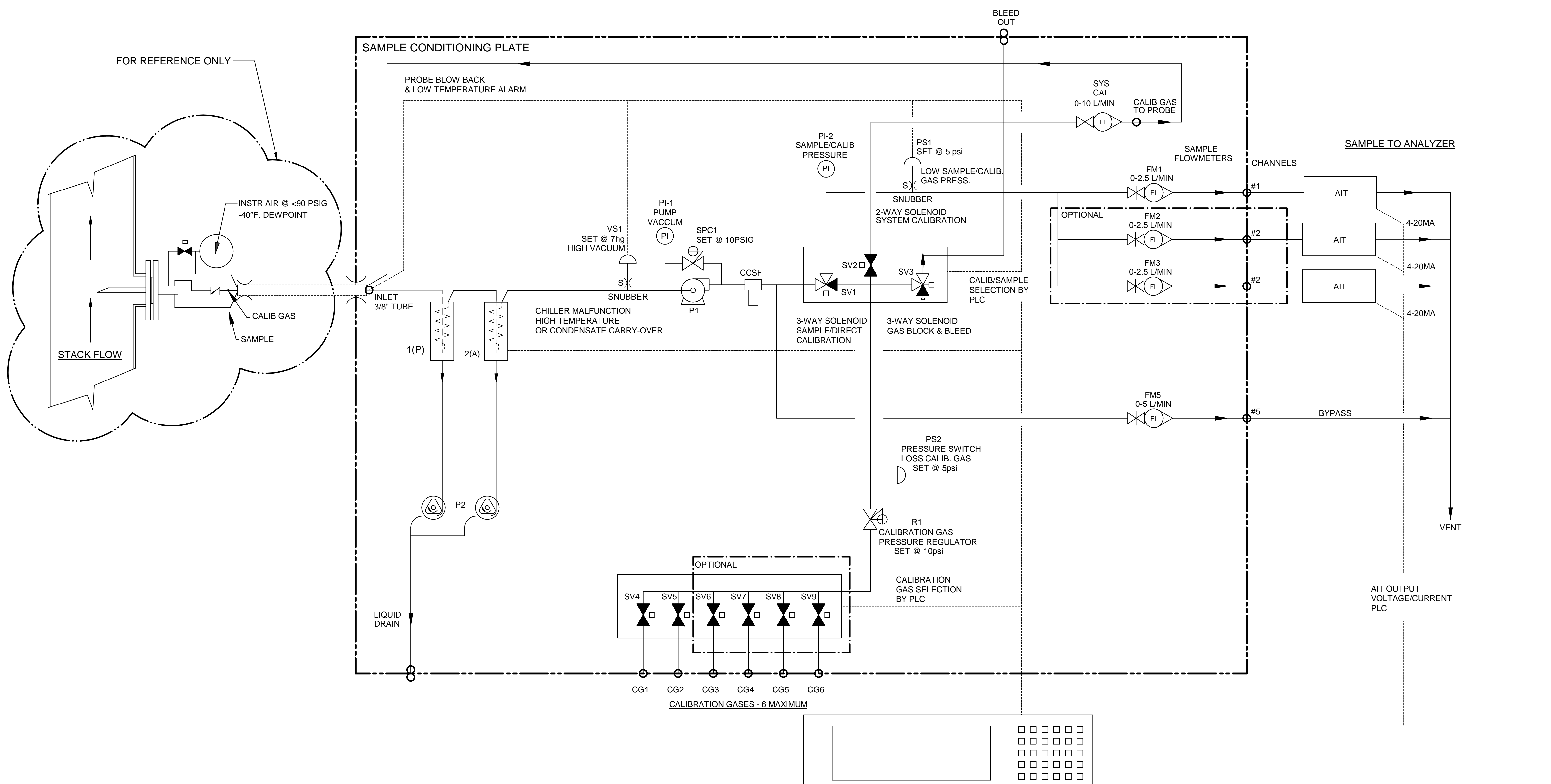


- PLC OR DATA LOGGER**
- 1) CALIBRATION/SAMPLE SELECT
 - 2) CALIBRATION GAS SELECT
 - 3) SYSTEM/DIRECT CALIBRATION SELECT-SYSTEM BIAS CALCULATION
 - 4) PROBE BLOW BACK
 - 5) PROBE LOW TEMPERATURE ALARM
 - 6) CHILLER MALFUNCTION-HIGH TEMPERATURE OR CONDENSATE CARRY-OVER
 - 7) HIGH INLET VACUUM - PROBE FILTER INITIATE BLOWBACK OR MAINTENANCE
 - 8) SAMPLE/CALIB. GAS PRESS LOW-ALARM FOR MAINTENANCE

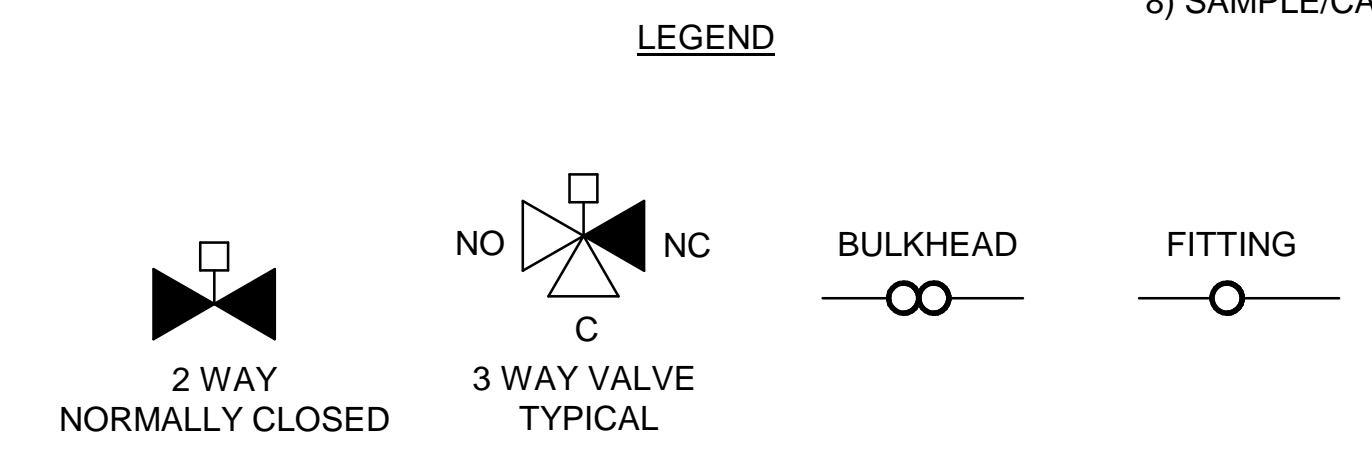
NOTES:

1. ALL FITTINGS 1/4" TUBE (UNLESS OTHERWISE NOTED).

		A	6/18/16	AS BUILT	CK	MW
		REV	DATE	DESCRIPTION	DWN/APVD	
Model SCP W/ 624 P&ID		DATE		SCALE	SIZE	SHEET
		09/18/2013		NTS	D	2 OF 5
PART NO.	FOR	DRAWN BY	ECO#	DRAWING NO.		
600-SCP-INT	600 Series	M. Walser	2807	P2012		
		APVD BY				
		M. Withrow				



Item	Qty	Description	UAI Part No.
VS1	1	Vacuum Switch Air-Logic 0-29"hg	3103-0017
CCSF	1	Condensate Sensor	CCSF-0007
PI-1	1	Gauge - Vacuum 0-30"Hg Liquid Filled S.S.	3019-0009
SPC1	1	Sample Pressure Controller	4955-0246
P1	1	Pump - Sample 115Vac Single Head	4958-0025
P1	1	Pump - Sample 230Vac Single Head	4958-0015
PS1,2	2	Pressure Switch Air-Logic F-5100-15 15psig	3103-0018
SV1,3	2	Solenoid Valve-Burkert 6012SER	4955-0041
SV2	1	Solenoid Valve-Burkert 6011SER 85psig	4955-0040
SV4-9	2-6	Solenoid Valve-Asco	4955-0247
PI-2	1	Gauge - Pressure 0-15psig Liquid Filled S.S.	3019-0008
SYS CAL	1	Flowmeter W/Needle Valve 0-10 l/m	4965-0007
FM1-4	4	Flowmeter W/Needle Valve 0-2.5 l/m	4965-0018
FM5	1	Flowmeter W/Needle Valve 0-5 l/m	4965-0008
CHILLER	1	Universal Analyzers Model 634	634
R1	1	Regulator - Porter Model #8268 0-30psig	8200-0008
S)	1	Snubber - #6-32	0000-0000
P2	1	Pump - Peristaltic Drain 115Vac Dual Head	4958-0012
P2	1	Pump - Peristaltic Drain 230Vac Dual Head	4958-0035

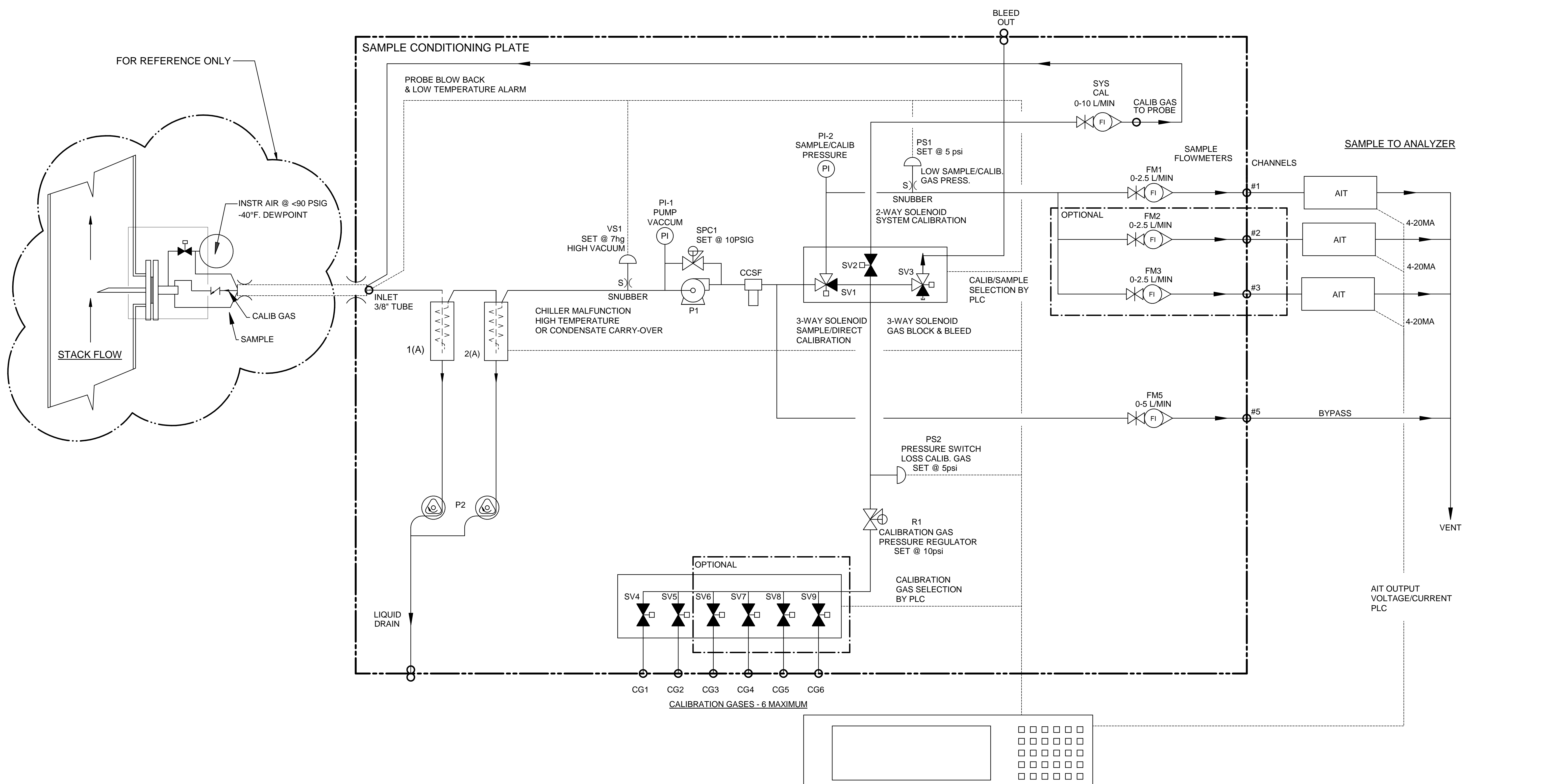


- PLC OR DATA LOGGER**
- 1) CALIBRATION/SAMPLE SELECT
 - 2) CALIBRATION GAS SELECT
 - 3) SYSTEM/DIRECT CALIBRATION SELECT-SYSTEM BIAS CALCULATION
 - 4) PROBE BLOW BACK
 - 5) PROBE LOW TEMPERATURE ALARM
 - 6) CHILLER MALFUNCTION-HIGH TEMPERATURE OR CONDENSATE CARRY-OVER
 - 7) HIGH INLET VACUUM - PROBE FILTER INITIATE BLOWBACK OR MAINTENANCE
 - 8) SAMPLE/CALIB. GAS PRESS LOW-ALARM FOR MAINTENANCE

NOTES:

1. ALL FITTINGS 1/4" TUBE (UNLESS OTHERWISE NOTED).

		A	6/18/16	AS BUILT	CK	MW
		REV	DATE	DESCRIPTION	DWN/APVD	
Model SCP W/ 634 P&ID		DATE		SCALE	SIZE	SHEET
PART NO.		FOR		NTS	D	3 OF 5
600-SCP-INT	600 Series	DRAWN BY	M. Walser	ECO#	DRAWING NO.	
		APVD BY	M. Withrow	2807	P2012	



Item	Qty	Description	UAI Part No.
VS1	1	Vacuum Switch Air-Logic 0-29"hg	3103-0017
CCSF	1	Condensate Sensor	CCSF-0007
PI-1	1	Gauge - Vacuum 0-30"Hg Liquid Filled S.S.	3019-0009
SPC1	1	Sample Pressure Controller	4955-0246
P1	1	Pump - Sample 115Vac Single Head	4958-0025
P1	1	Pump - Sample 230Vac Single Head	4958-0015
PS1,2	2	Pressure Switch Air-Logic F-5100-15 15psig	3103-0018
SV1,3	2	Solenoid Valve-Burkert 6012SER	4955-0041
SV2	1	Solenoid Valve-Burkert 6011SER 85psig	4955-0040
SV4-9	2-6	Solenoid Valve-Asco	4955-0247
PI-2	1	Gauge - Pressure 0-15psig Liquid Filled S.S.	3019-0008
SYS CAL	1	Flowmeter W/Needle Valve 0-10 l/m	4965-0007
FM1-3	3	Flowmeter W/Needle Valve 0-2.5 l/m	4965-0018
FM5	1	Flowmeter W/Needle Valve 0-5 l/m	4965-0008
CHILLER	1	Universal Analyzers Model 644	644
R1	1	Regulator - Porter Model #8268 0-30psig	8200-0008
S)	1	Snubber - #6-32	0000-0000
P2	1	Pump - Peristaltic Drain 115Vac Dual Head	4958-0012
P2	1	Pump - Peristaltic Drain 230Vac Dual Head	4958-0035

LEGEND

NO NC

C

BULKHEAD

FITTING

2 WAY NORMALLY CLOSED

3 WAY VALVE TYPICAL

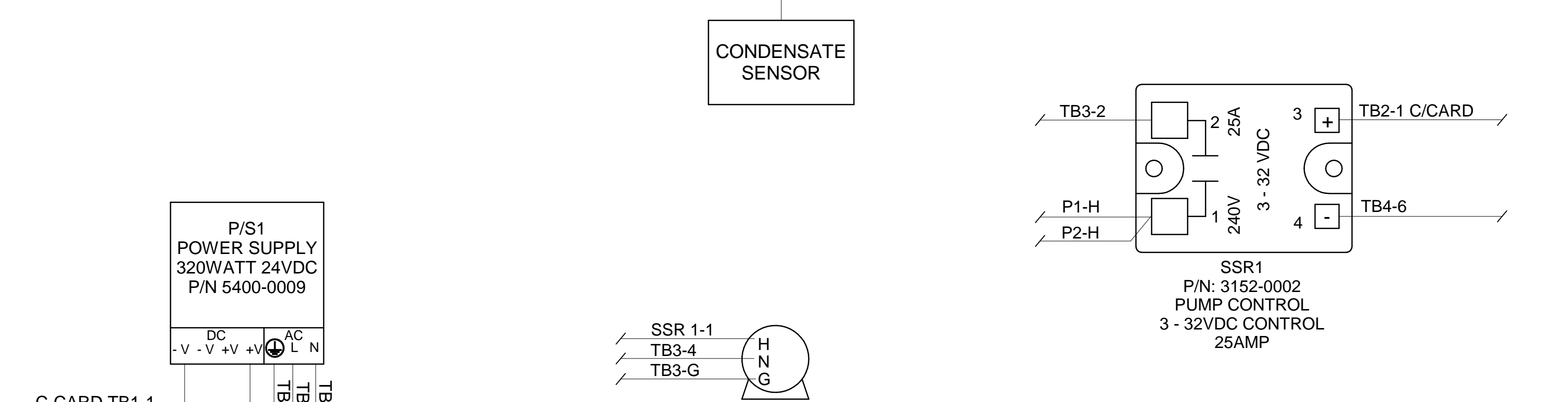
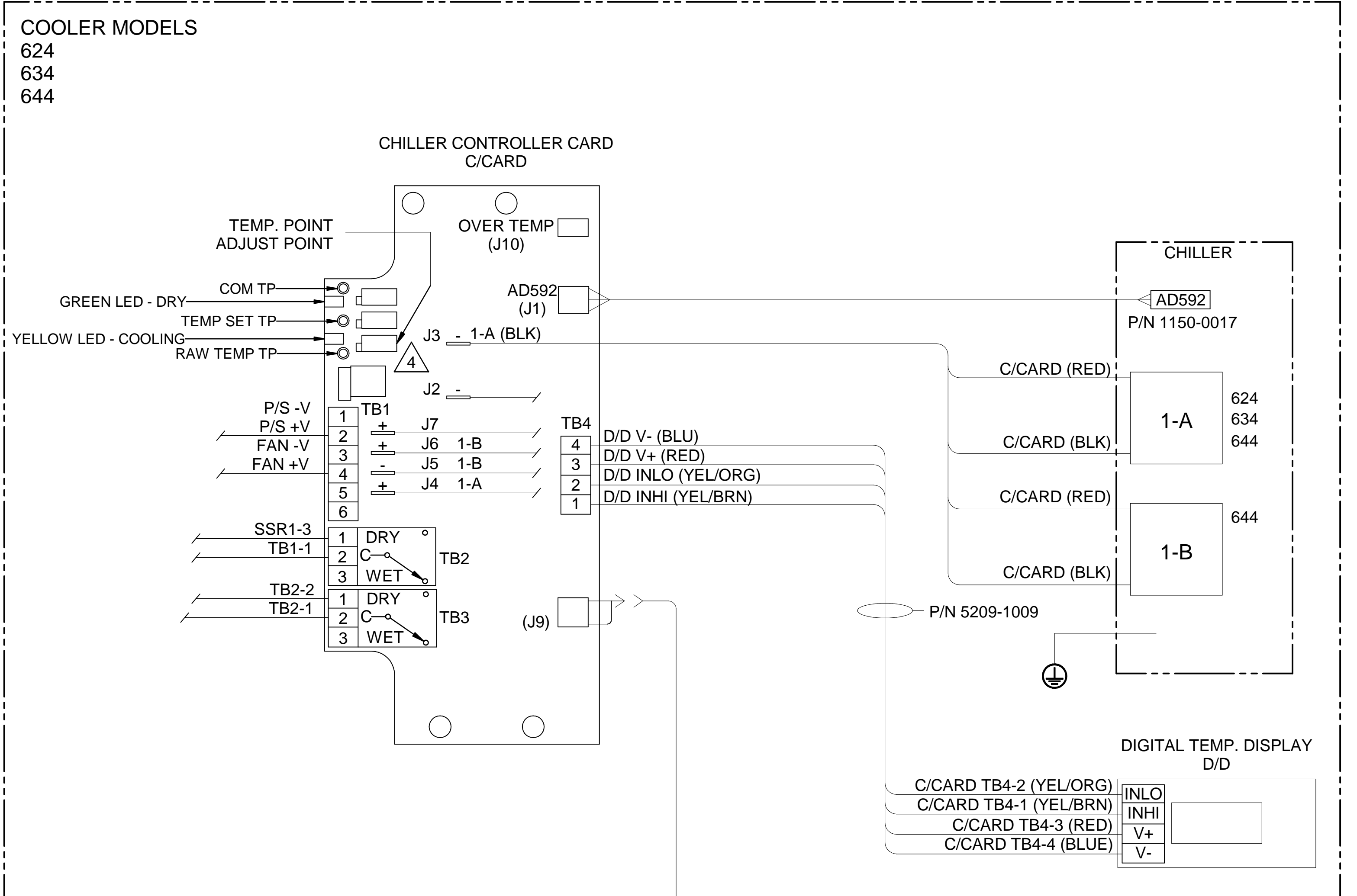
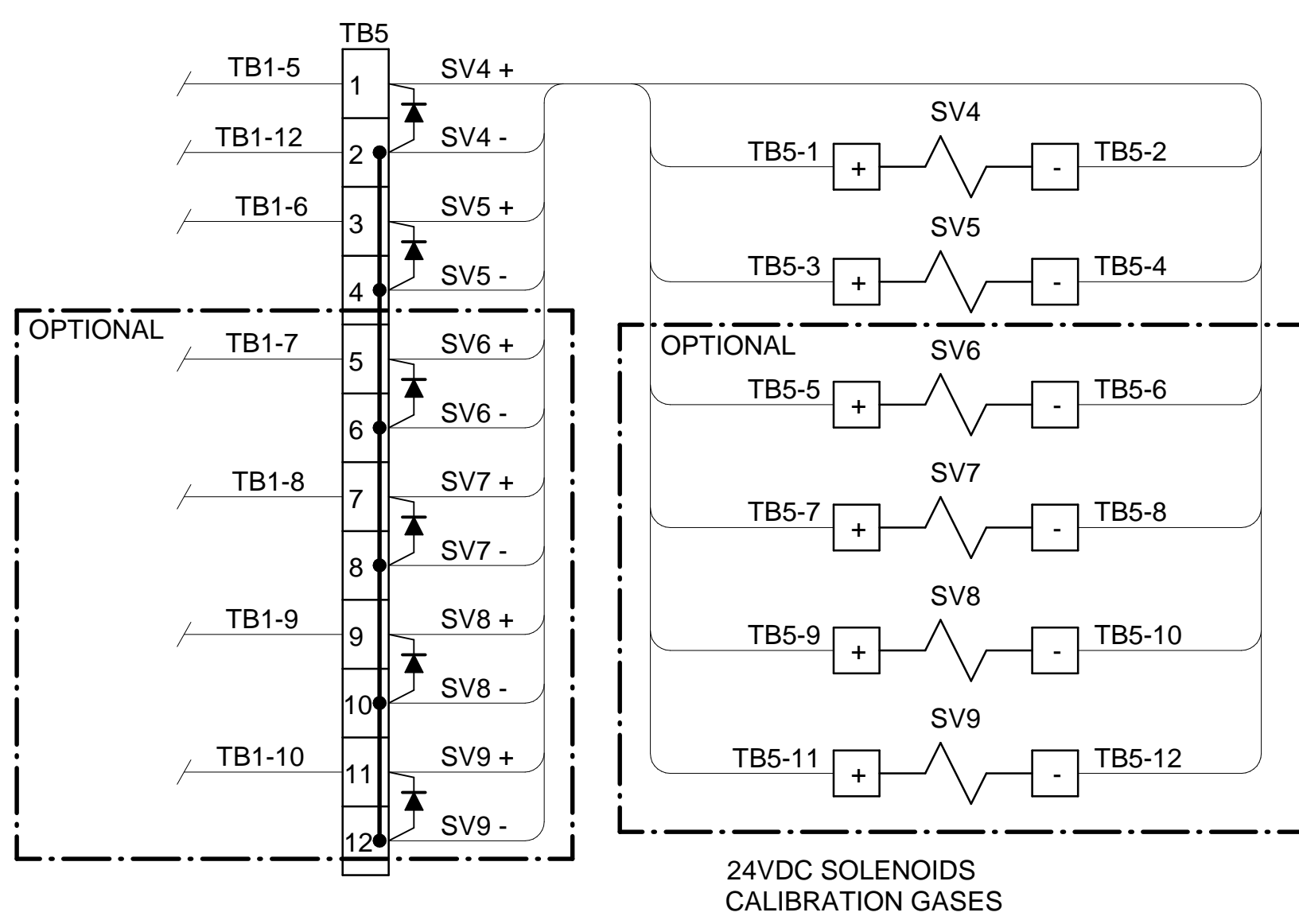
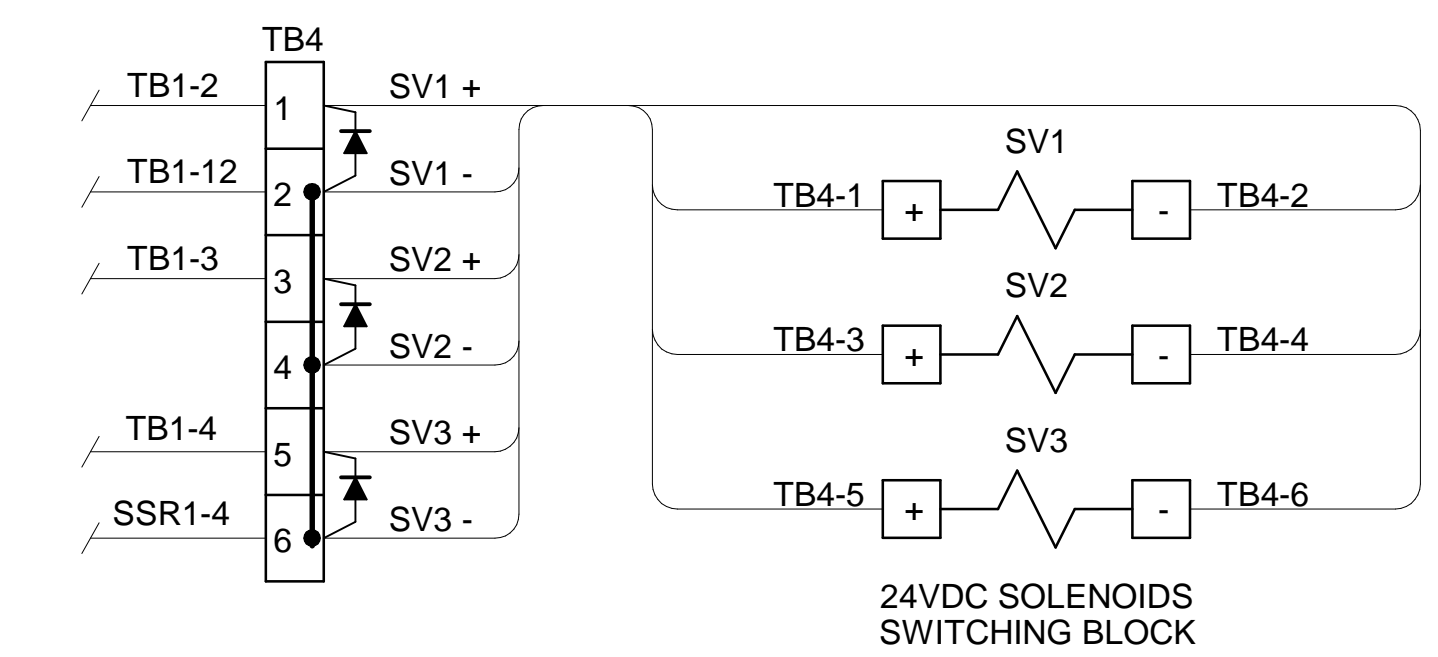
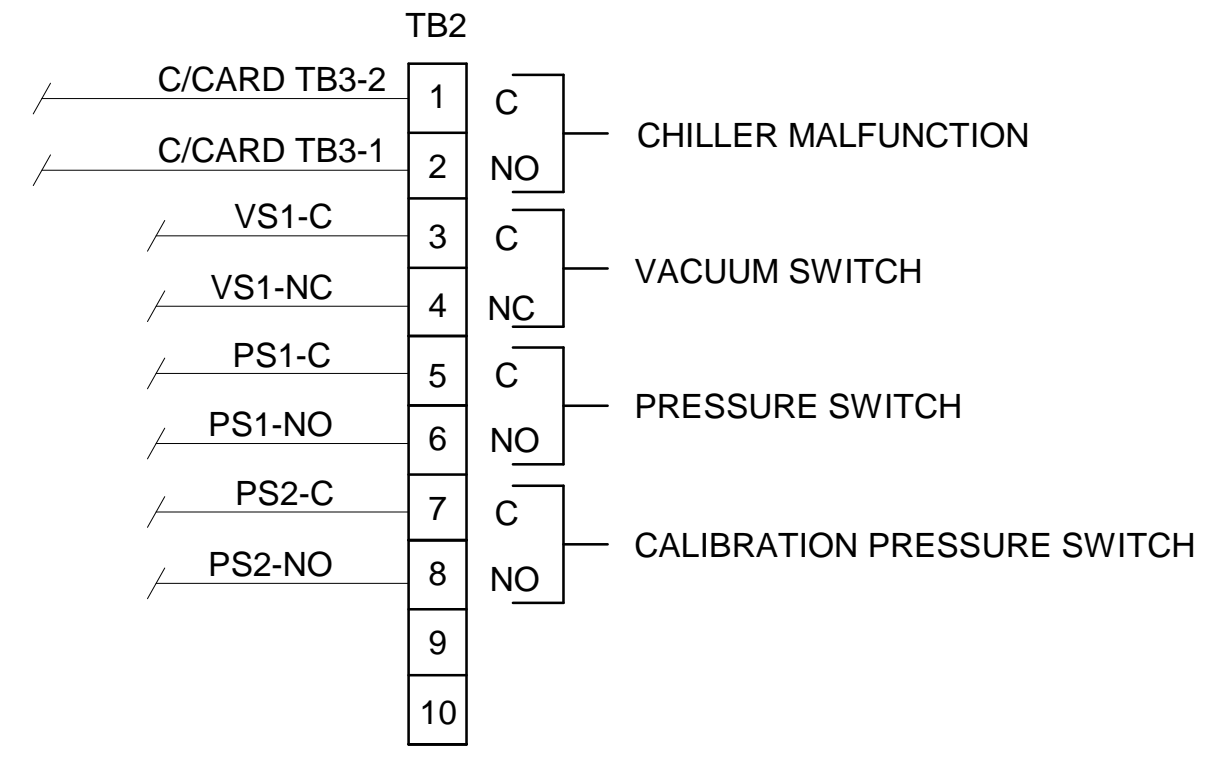
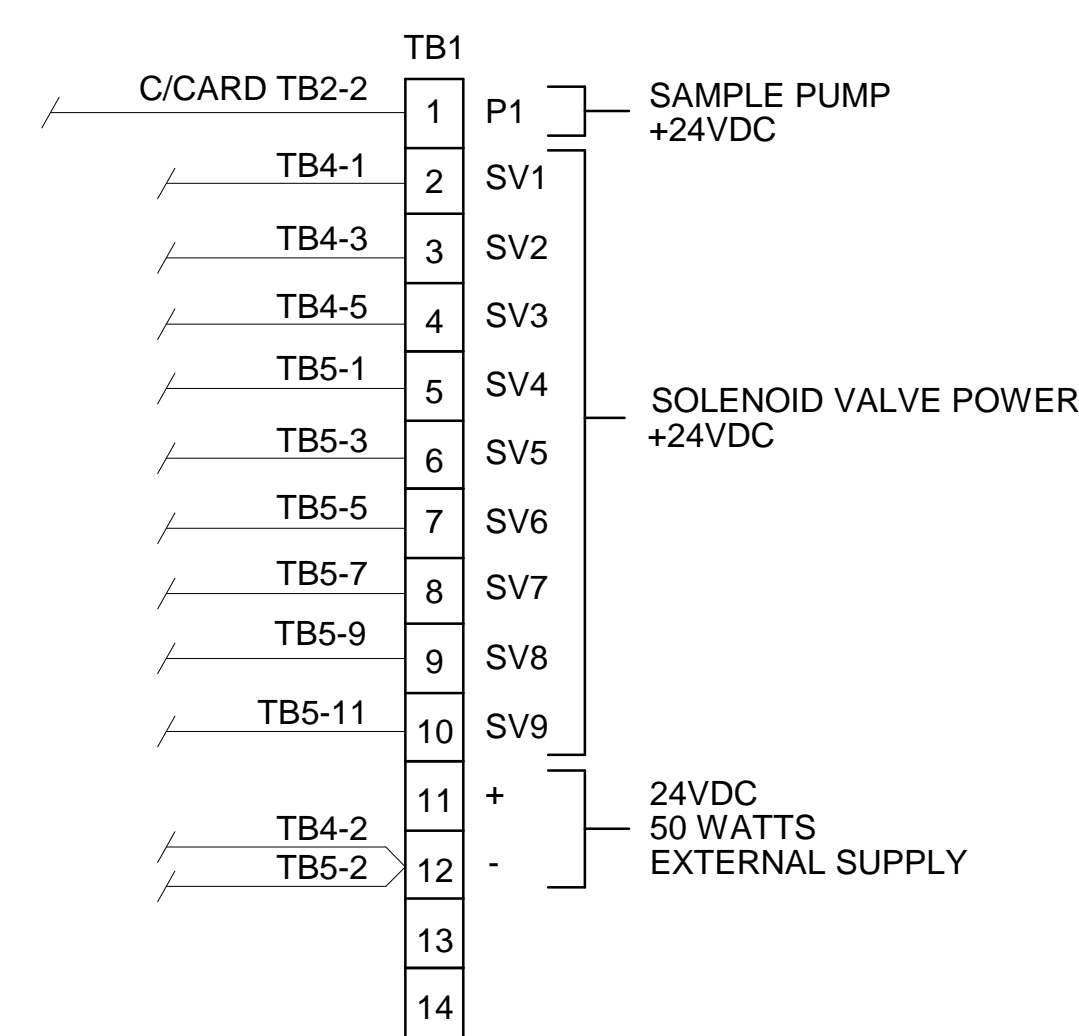
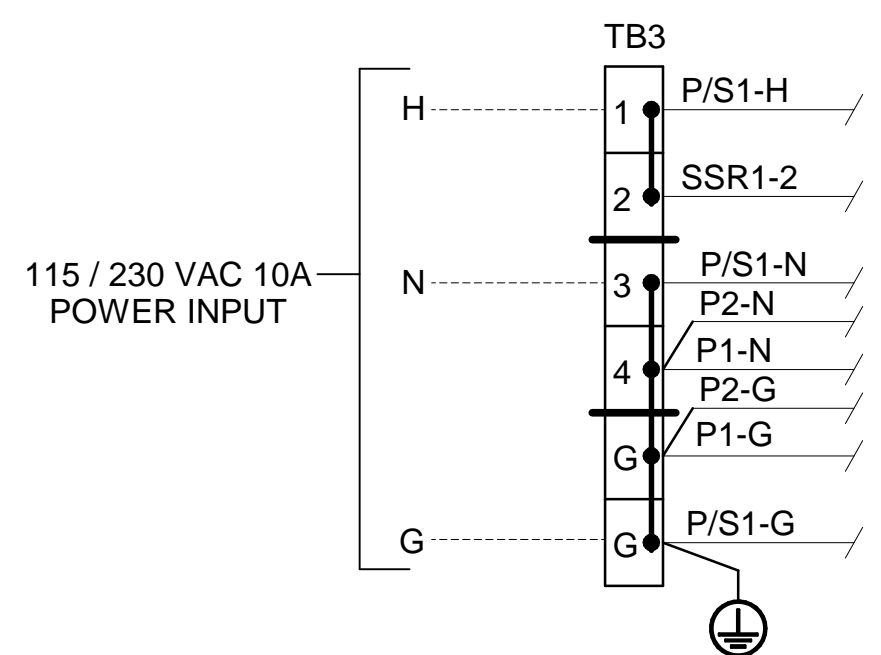
PLC OR DATA LOGGER

- CALIBRATION/SAMPLE SELECT
- CALIBRATION GAS SELECT
- SYSTEM/DIRECT CALIBRATION SELECT-SYSTEM BIAS CALCULATION
- PROBE BLOW BACK
- PROBE LOW TEMPERATURE ALARM
- CHILLER MALFUNCTION-HIGH TEMPERATURE OR CONDENSATE CARRY-OVER
- HIGH INLET VACUUM - PROBE FILTER INITIATE BLOWBACK OR MAINTENANCE
- SAMPLE/CALIB. GAS PRESS LOW-ALARM FOR MAINTENANCE

NOTES:

1. ALL FITTINGS 1/4" TUBE (UNLESS OTHERWISE NOTED).

		A	6/18/16	AS BUILT	CK	MW
		REV	DATE	DESCRIPTION	DWN/APVD	
Model SCP W/ 644 P&ID		DATE		SCALE	SIZE	SHEET
		09/18/2013		NTS	D	4 OF 5
PART NO.	FOR	DRAWN BY	ECO#	DRAWING NO.		
600-SCP-INT	600 Series	M. Walser	2807	P2012		



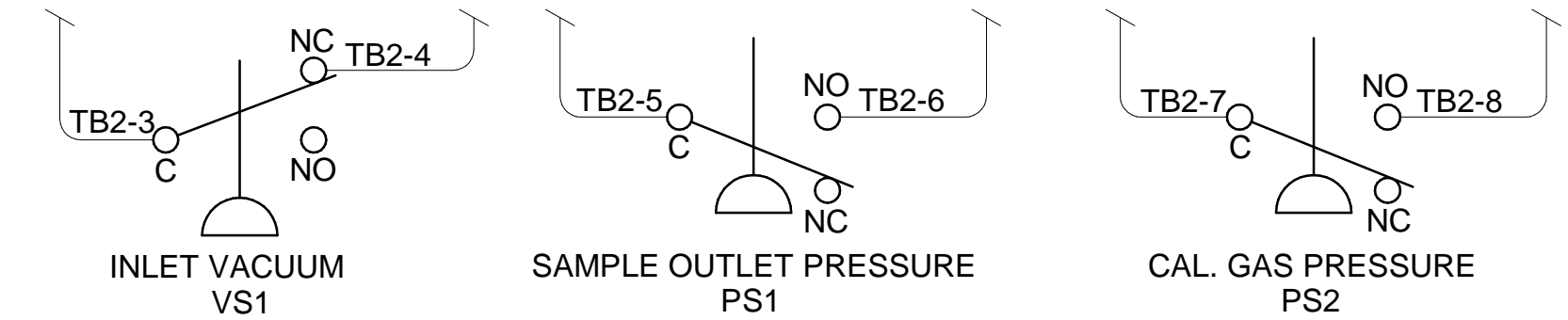
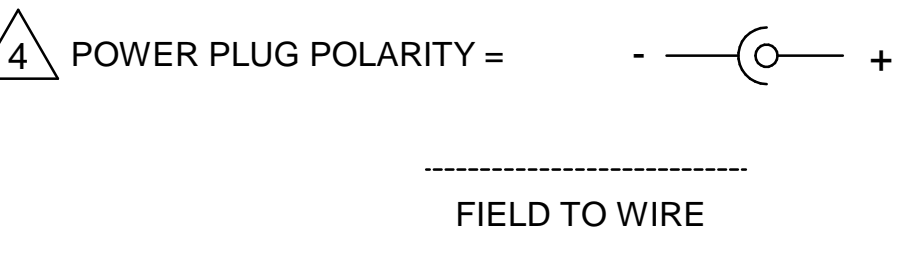
CONDUIT AND WIRING NOTES

- ELECTRICAL CLASSIFICATION : INSIDE - GENERAL PURPOSE SYSTEM IS CONFIGURED AT THE FACTORY FOR REQUIRED VOLTAGE. CONTACT FACTORY FOR VOLTAGE CHANGE REQUIREMENTS.
- AC WIRING SHALL BE INDIVIDUAL CONDUCTORS OF STRANDED TINNED COPPER WITH 300V, TYPE TFE INSULATION. MINIMUM WIRE SIZE SHALL BE 18 AWG UNLESS OTHERWISE SPECIFIED. COLOR CODE SHALL BE AS FOLLOWS:

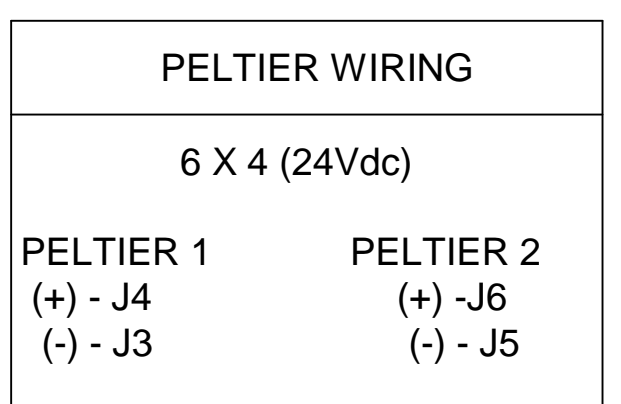
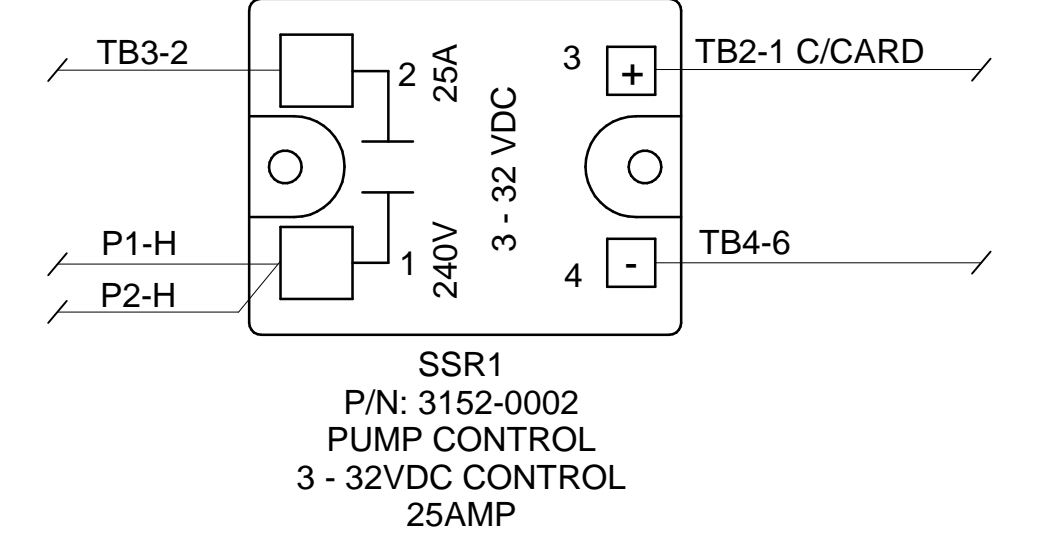
115VAC	230VAC
HOT - BLACK	L1 - BROWN
NEUTRAL - WHITE	L2 - BLUE
GROUND - GREEN	G - GREEN

- DC WIRING SHALL BE INDIVIDUAL CONDUCTORS OF STRANDED TINNED COPPER WITH 300V, TYPE TFE INSULATION. MINIMUM WIRE SIZE SHALL BE 22 AWG UNLESS OTHERWISE SPECIFIED.

115VAC	230VAC
+V - RED	+VDC - RED
0V - BLUE	-VDC - BLACK



CONDENSATE SENSOR



				5200 Convoir Drive Carson City, NV 89706 PH(775)883-2500 FAX (775)883-6388	
600 Series Wiring Schematic		A 6/18/16	AS BUILT	CK	MW
PART NO. 600-SCP-INT		FOR 600 Series		REV 09/18/2013	DESCRIPTION REVISIONS
DRAWN BY M. Walser		DATE 09/18/2013	SCALE NTS	SIZE D	SHEET 5 OF 5
APVD BY M. Withrow		ECO# 2807	DRAWING NO. P2012		