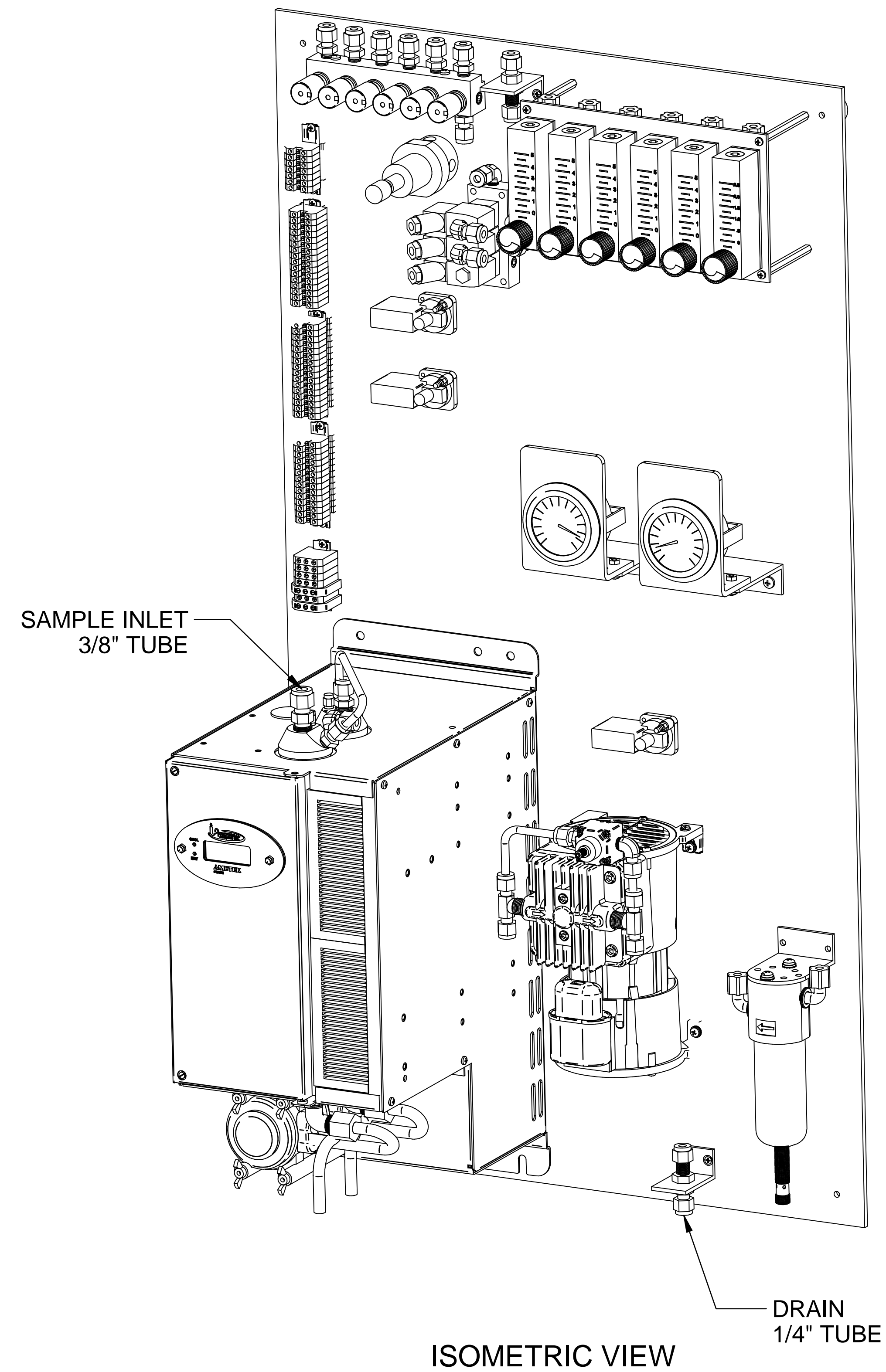


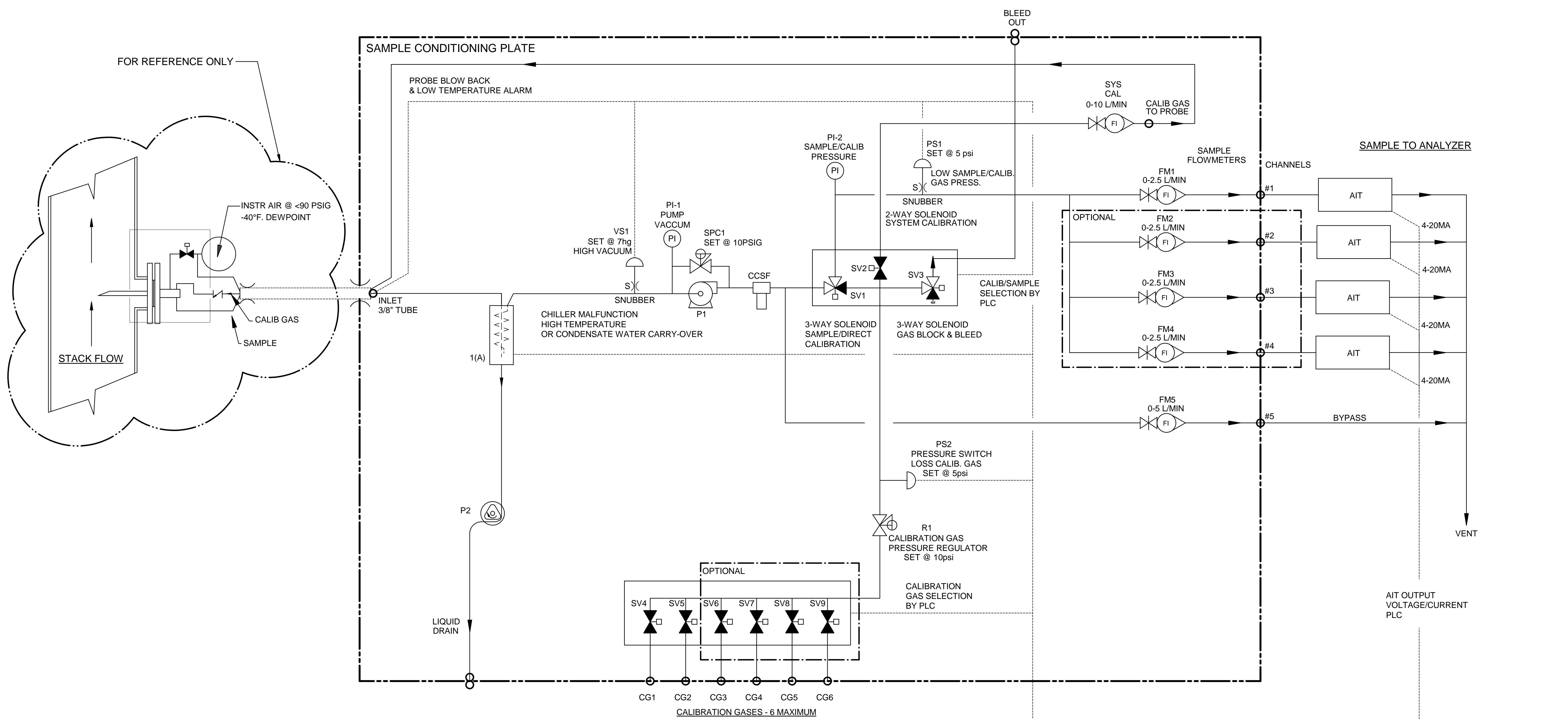


FRONT VIEW

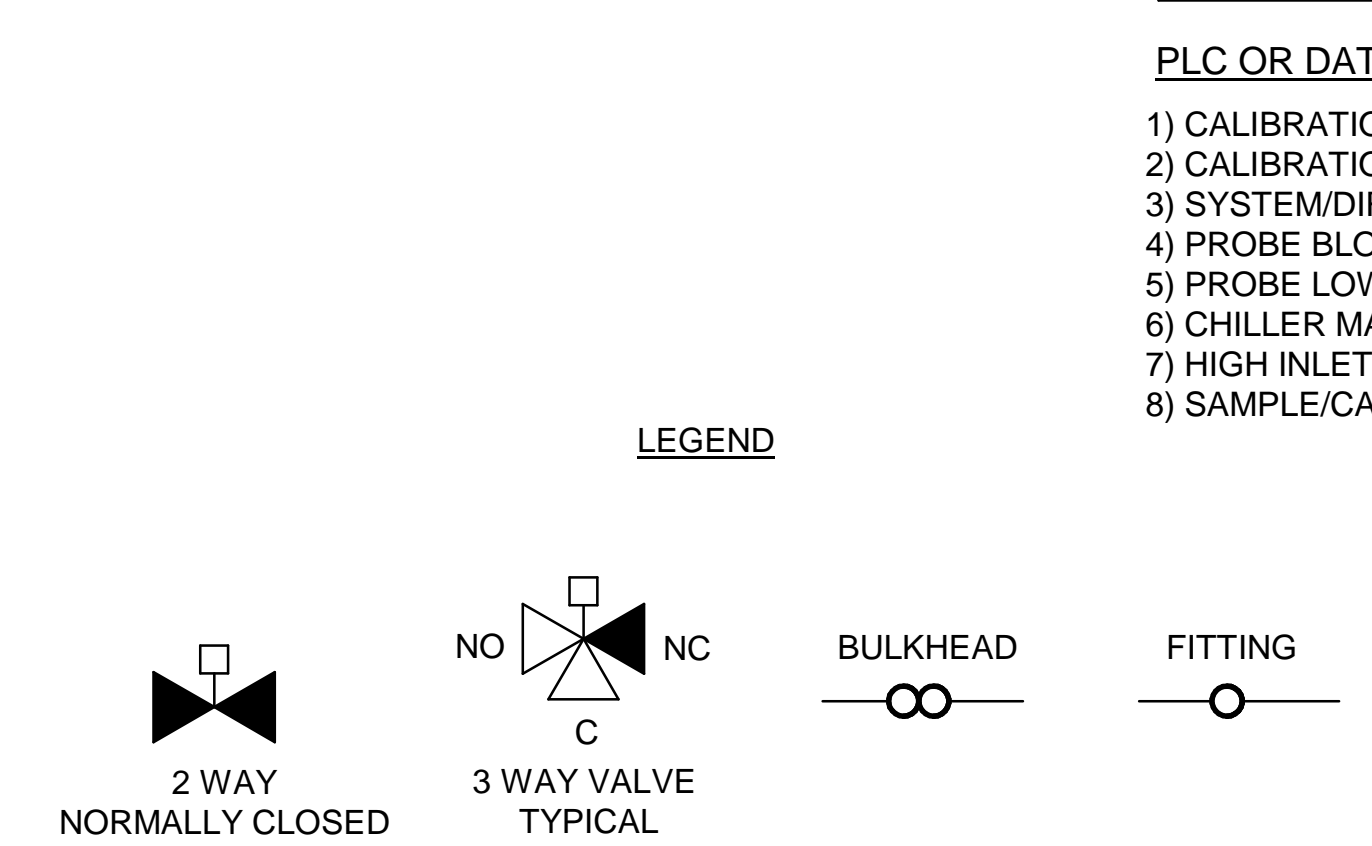


ISOMETRIC VIEW

				A 06/18/16 AS BUILT CK MW	
Model SCP 3000 Series Layout & Dimensions		REV DATE DESCRIPTION DWN/APVD		REVISIONS	
PART NO. 3000-SCP-INT		FOR 3000 Series		DATE 09/18/2013	SCALE NTS
DRAWN BY M. Walser		APVD BY M. Withrow		SIZE D	SHEET 1 OF 5
ECO# 2805		DRAWING NO. P2011			



Item	Qty	Description	UAI Part No.
VS1	1	Vacuum Switch Air-Logic 0-29"hg	3103-0017
CCSF	1	Condensate Sensor	CCSF-0007
PI-1	1	Gauge - Vacuum 0-30"Hg Liquid Filled S.S.	4955-0246
SPC1	1	Sample Pressure Controller	4958-0025
P1	1	Pump - Sample 115Vac Single Head	4958-0015
P1	1	Pump - Sample 230Vac Single Head	3103-0018
PS1,2	2	Pressure Switch Air-Logic F-5100-15 15psig	4955-0041
SV1,3	2	Solenoid Valve - Burkert 6012SER	4955-0040
SV2	1	Solenoid Valve - Burkert 6011SER 85psig	4955-0247
SV4-9	2-6	Solenoid Valve - 2 Way	3019-0008
PI-2	1	Gauge - Pressure 0-15psig Liquid Filled S.S.	4965-0007
SYS CAL	1	Flowmeter W/Needle Valve 0-10 l/m	4965-0018
FM1-4	4	Flowmeter W/Needle Valve 0-2.5 l/m	4965-0008
FM5	1	Flowmeter W/Needle Valve 0-5 l/m	3040 - 115Vac
CHILLER	1	Universal Analyzers Model 3040	3040 - 230Vac
CHILLER	1	Universal Analyzers Model 3040	8200-0008
R1	1	Regulator - Porter Model #8268 0-30psig	0000-0000
S)	1	Snubber - #6-32	4958-0028
P2	1	Pump - Peristaltic Drain 115Vac	4958-0045
P2	1	Pump - Peristaltic Drain 230Vac	

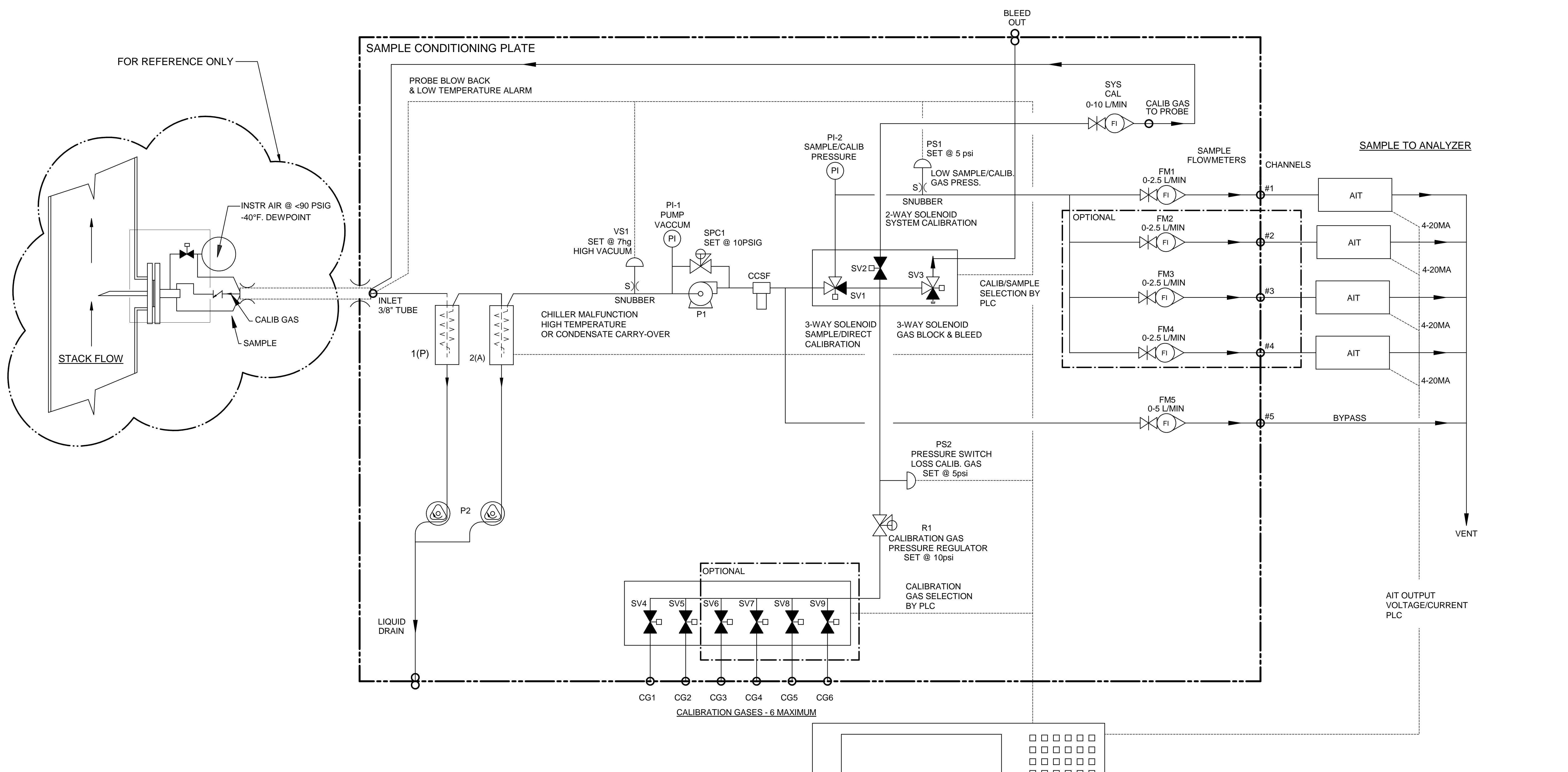


- PLC OR DATA LOGGER**
- 1) CALIBRATION/SAMPLE SELECT
 - 2) CALIBRATION GAS SELECT
 - 3) SYSTEM/DIRECT CALIBRATION SELECT-SYSTEM BIAS CALCULATION
 - 4) PROBE BLOW BACK
 - 5) PROBE LOW TEMPERATURE ALARM
 - 6) CHILLER MALFUNCTION-HIGH TEMPERATURE OR CONDENSATE CARRY-OVER
 - 7) HIGH INLET VACUUM - PROBE FILTER INITIATE BLOWBACK OR MAINTENANCE
 - 8) SAMPLE/CALIB. GAS PRESS LOW-ALARM FOR MAINTENANCE

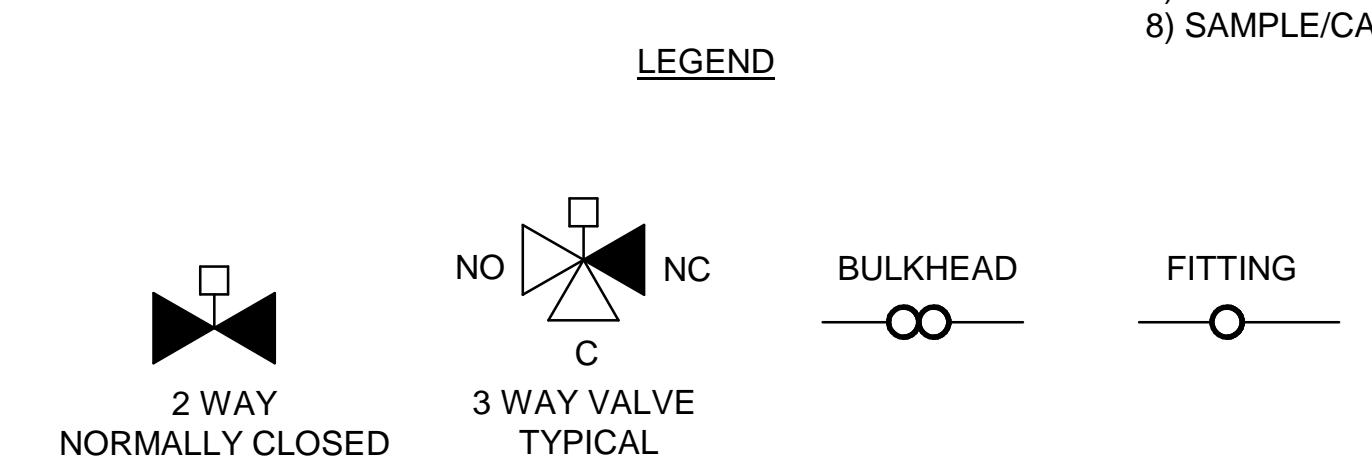
NOTES:

1. ALL FITTINGS 1/4" TUBE (UNLESS OTHERWISE NOTED).

				A	06/18/16	AS BUILT	CK	MW
Model SCP W/ 3040 P&ID		Model SCP W/ 3040 P&ID		REV	DATE	DESCRIPTION	DWN/APVD	
PART NO. 3000-SCP-INT		FOR 3000 Series		DATE 09/18/2013		SCALE NTS	SIZE D	SHEET 2 OF 5
DRAWN BY M. Walser		ECO# 2805		APVD BY M. Withrow		DRAWING NO. P2011		



Item	Qty	Description	UAI Part No.
VS1	1	Vacuum Switch Air-Logic 0-29"hg	3103-0017
CCSF	1	Condensate Sensor	CCSF-0007
PI-1	1	Gauge - Vacuum 0-30"Hg Liquid Filled S.S.	3019-0009
SPC1	1	Sample Pressure Controller	4955-0246
P1	1	Pump - Sample 115Vac Single Head	4958-0025
P1	1	Pump - Sample 230Vac Single Head	4958-0015
PS1,2	2	Pressure Switch Air-Logic F-5100-15 15psig	3103-0018
SV1,3	2	Solenoid Valve - Burkert 6012SER	4955-0041
SV2	1	Solenoid Valve - Burkert 6011SER 85psig	4955-0040
SV4-9	2-6	Solenoid Valve 2 Way	4955-0247
PI-2	1	Gauge - Pressure 0-15psig Liquid Filled S.S.	3019-0008
SYS CAL	1	Flowmeter W/Needle Valve 0-10 l/m	4965-0007
FM1-4	4	Flowmeter W/Needle Valve 0-2.5 l/m	4965-0018
FM5	1	Flowmeter W/Needle Valve 0-5 l/m	4965-0008
CHILLER	1	Universal Analyzers Model 3050	3050 - 115Vac
CHILLER	1	Universal Analyzers Model 3050	3050 - 230Vac
R1	1	Regulator - Porter Model #8268 0-30psig	8200-0008
S)	1	Snubber - #6-32	0000-0000
P2	1	Pump - Peristaltic Drain 115Vac	4958-0028
P2	1	Pump - Peristaltic Drain 230Vac	4958-0045

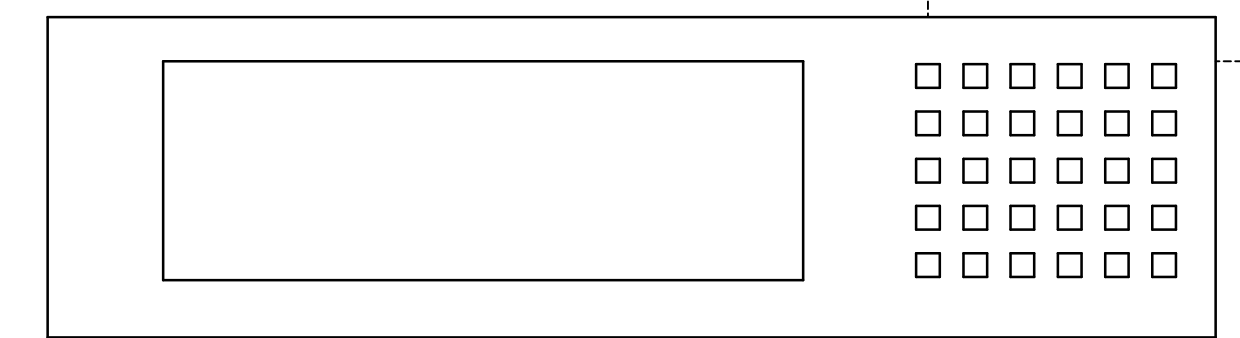
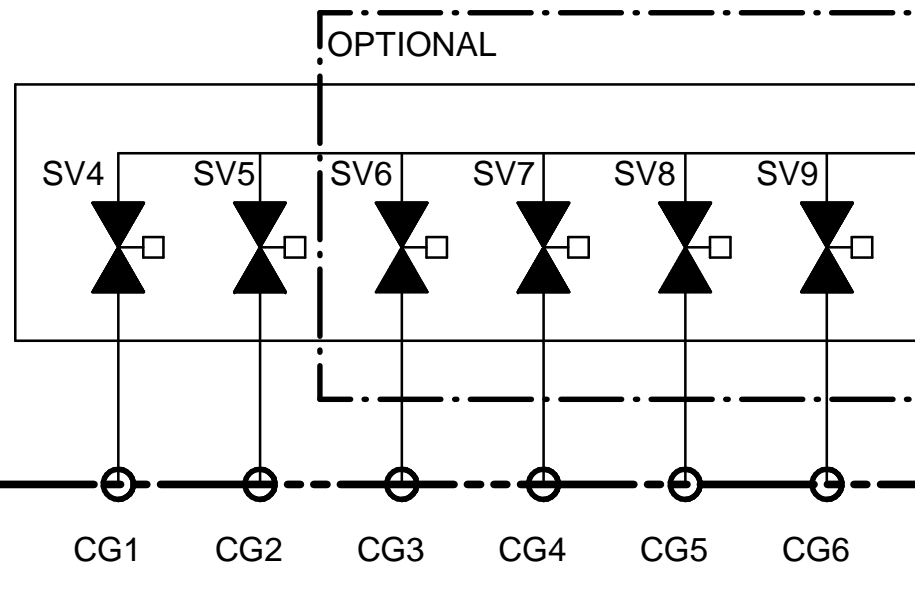
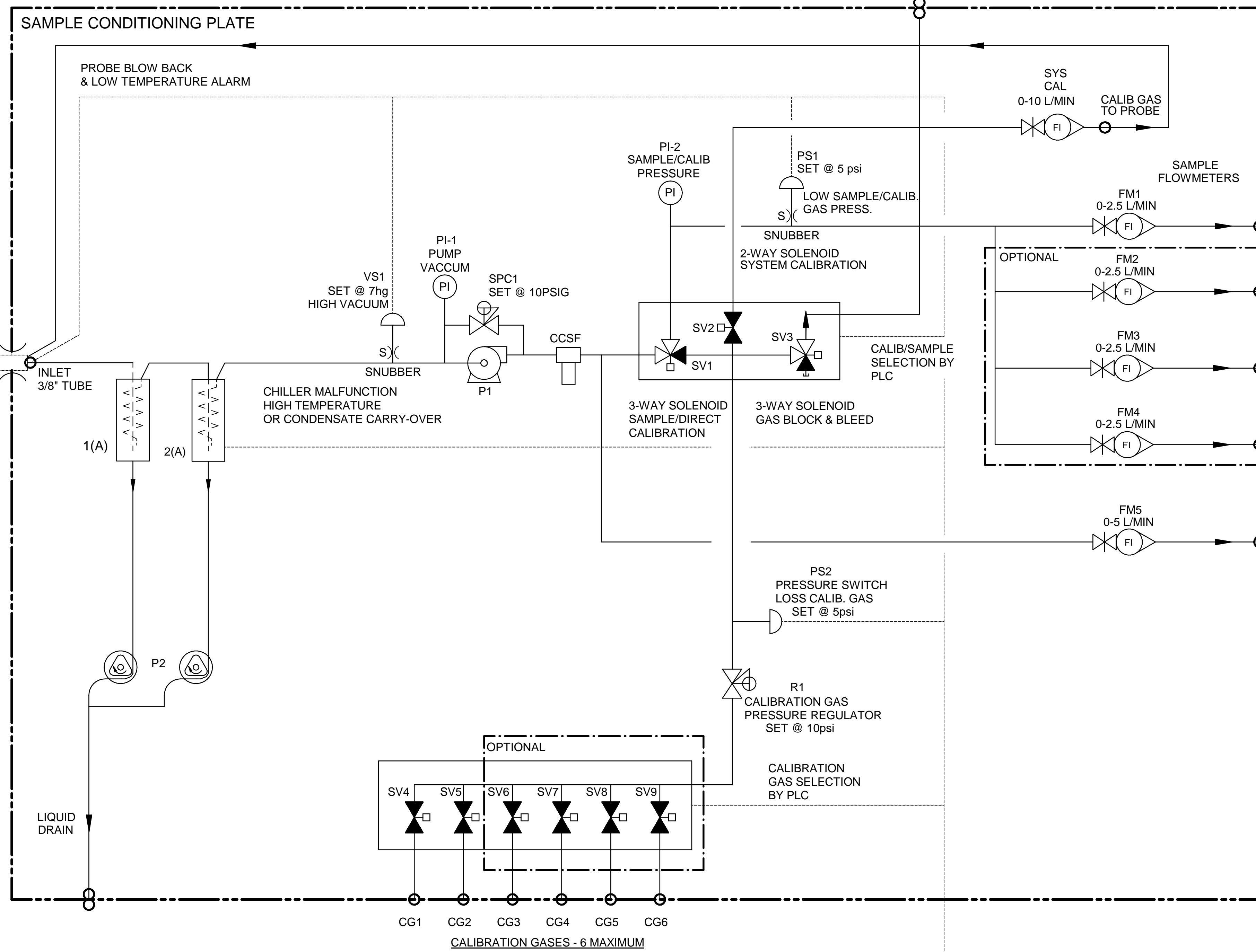
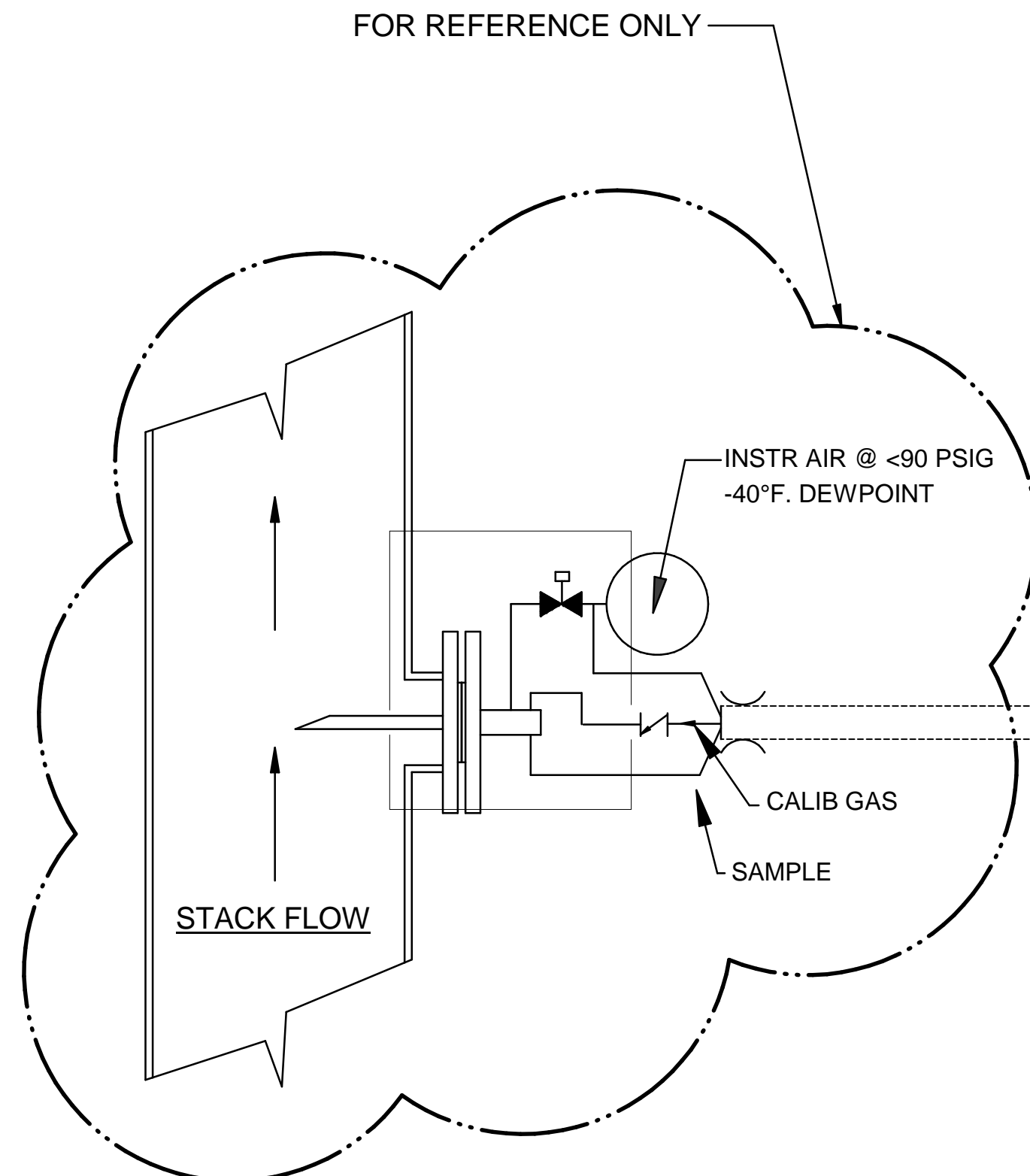
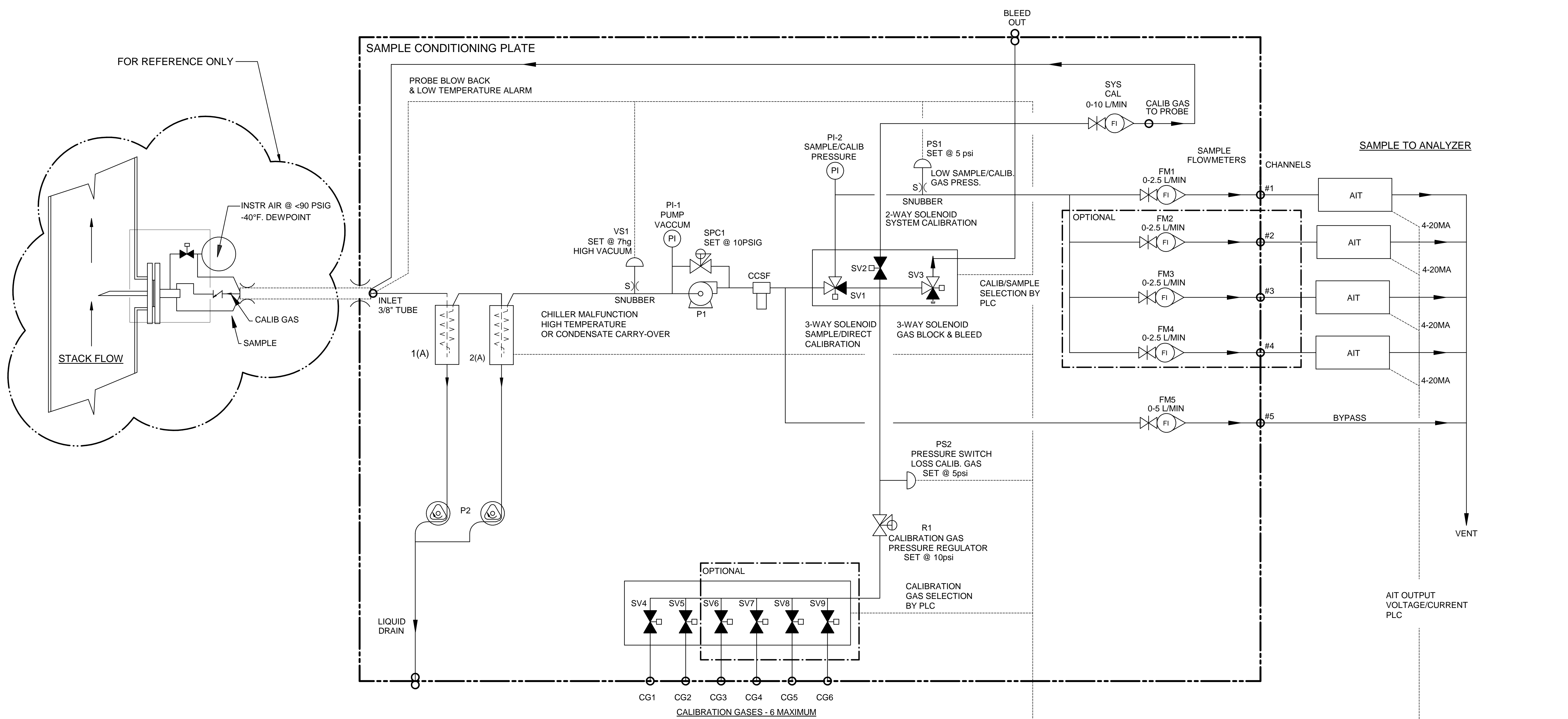


- PLC OR DATA LOGGER**
- 1) CALIBRATION/SAMPLE SELECT
 - 2) CALIBRATION GAS SELECT
 - 3) SYSTEM/DIRECT CALIBRATION SELECT-SYSTEM BIAS CALCULATION
 - 4) PROBE BLOW BACK
 - 5) PROBE LOW TEMPERATURE ALARM
 - 6) CHILLER MALFUNCTION-HIGH TEMPERATURE OR CONDENSATE CARRY-OVER
 - 7) HIGH INLET VACUUM - PROBE FILTER INITIATE BLOWBACK OR MAINTENANCE
 - 8) SAMPLE/CALIB. GAS PRESS LOW-ALARM FOR MAINTENANCE

NOTES:

1. ALL FITTINGS 1/4" TUBE (UNLESS OTHERWISE NOTED).

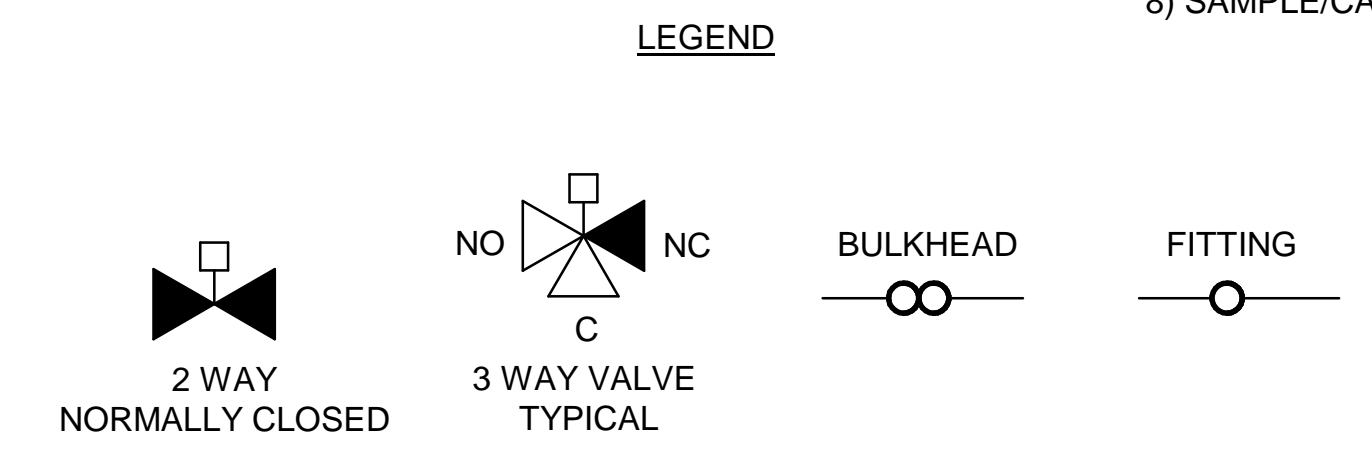
			A 06/18/16 AS BUILT	CK MW
Model SCP W/ 3050 P&ID		REV DATE DESCRIPTION REVISIONS	DATE 09/18/2013 SCALE NTS SIZE D SHEET 3 OF 5	DWN/APVD
PART NO. 3000-SCP-INT	FOR 3000 Series	DRAWN BY M. Walser APVD BY M. Withrow	ECO# 2805	DRAWING NO. P2011



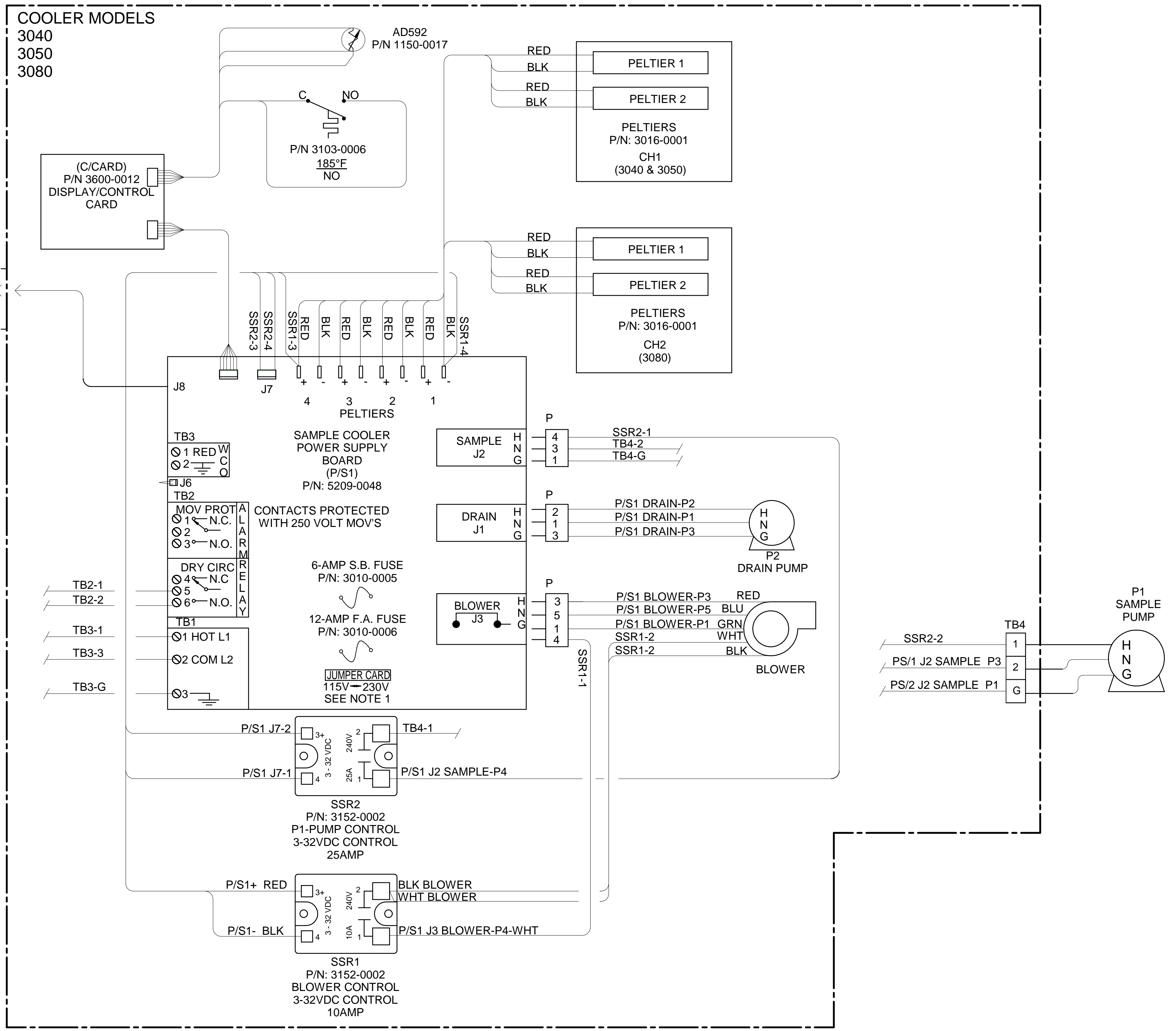
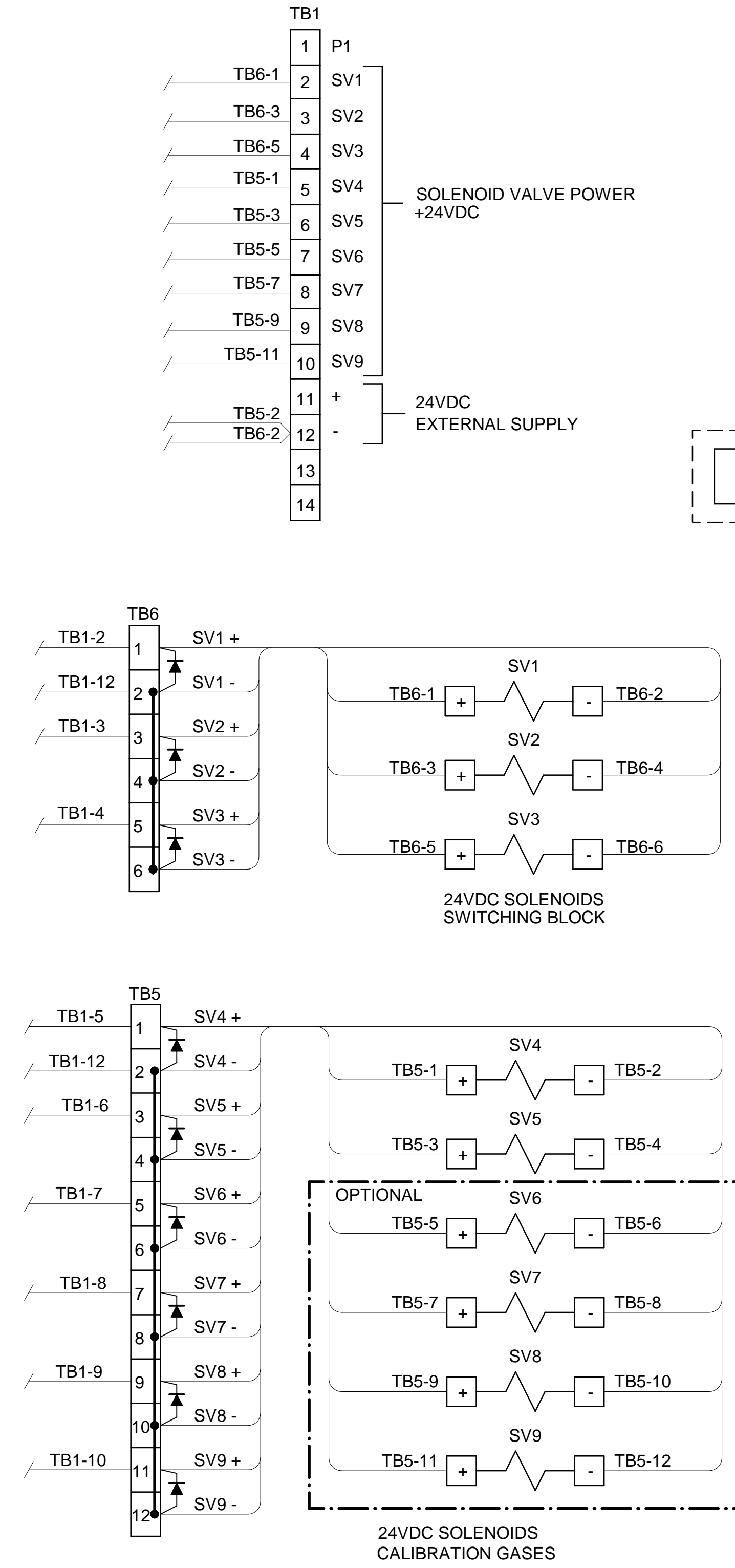
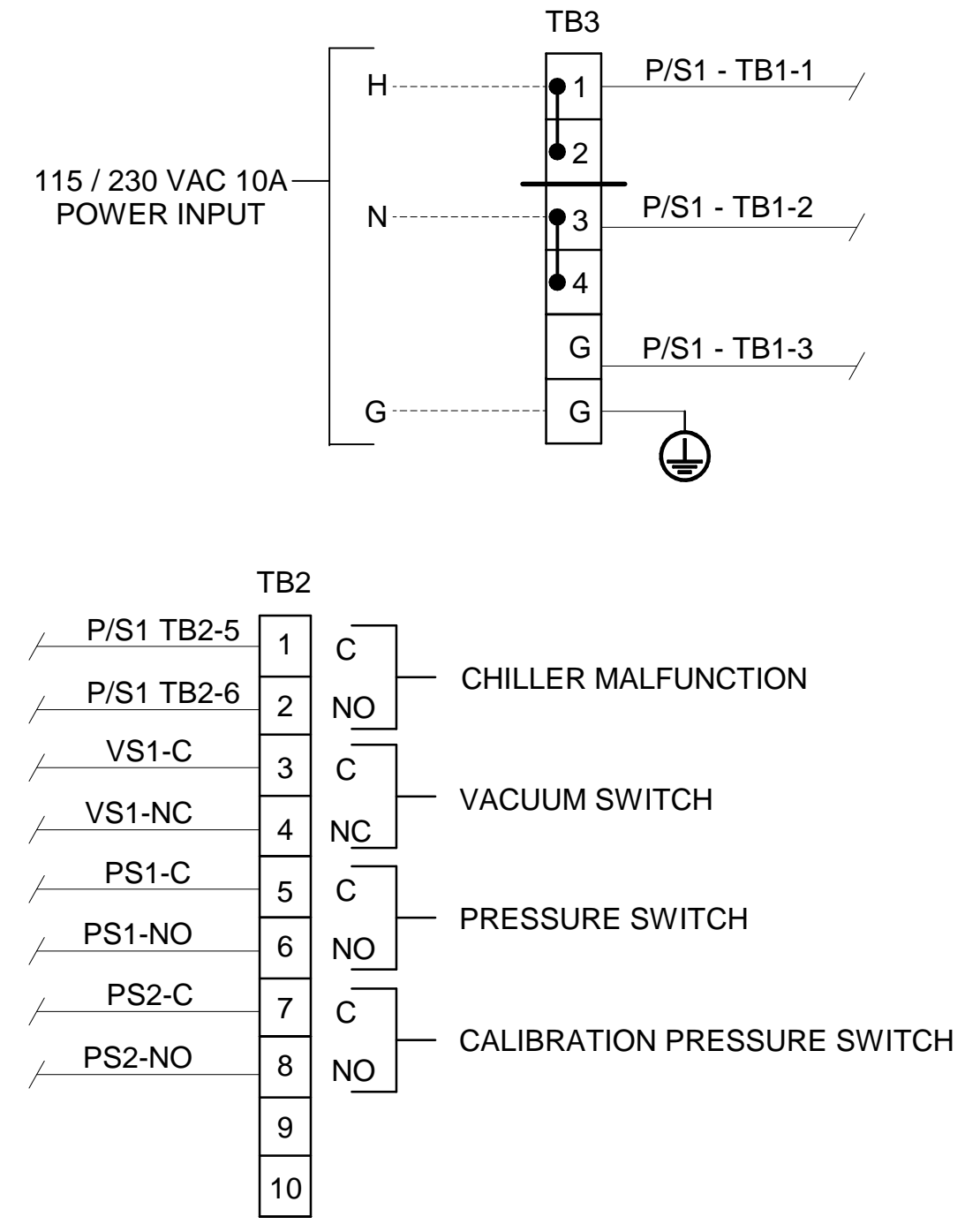
- PLC OR DATA LOGGER**
- 1) CALIBRATION/SAMPLE SELECT
 - 2) CALIBRATION GAS SELECT
 - 3) SYSTEM/DIRECT CALIBRATION SELECT-SYSTEM BIAS CALCULATION
 - 4) PROBE BLOW BACK
 - 5) PROBE LOW TEMPERATURE ALARM
 - 6) CHILLER MALFUNCTION-HIGH TEMPERATURE OR CONDENSATE CARRY-OVER
 - 7) HIGH INLET VACUUM - PROBE FILTER INITIATE BLOWBACK OR MAINTENANCE
 - 8) SAMPLE/CALIB. GAS PRESS LOW-ALARM FOR MAINTENANCE

NOTES:
 1. ALL FITTINGS 1/4" TUBE (UNLESS OTHERWISE NOTED).

Item	Qty	Description	UAI Part No.
VS1	1	Vacuum Switch Air-Logic 0-29"hg	3103-0017
CCSF	1	Condensate Sensor	CCSF-0007
PI-1	1	Gauge - Vacuum 0-30"Hg Liquid Filled S.S.	4955-0246
SPC1	1	Sample Pressure Controller	4958-0025
P1	1	Pump - Sample 115Vac Single Head	4958-0015
P1	1	Pump - Sample 230Vac Single Head	3103-0018
PS1,2	2	Pressure Switch Air-Logic F-5100-15 15psig	4955-0041
SV1,3	2	Solenoid Valve - Burkert 6012SER	4955-0040
SV2	1	Solenoid Valve - Burkert 6011SER 85psig	4955-0247
SV4-9	2-6	Solenoid Valve - 2 Way	3019-0008
PI-2	1	Gauge - Pressure 0-15psig Liquid Filled S.S.	4965-0007
SYS CAL	1	Flowmeter W/Needle Valve 0-10 l/m	4965-0018
FM1-4	4	Flowmeter W/Needle Valve 0-2.5 l/m	4965-0008
FM5	1	Flowmeter W/Needle Valve 0-5 l/m	3080 - 115Vac
CHILLER	1	Universal Analyzers Model 3080	3080 - 230Vac
CHILLER	1	Universal Analyzers Model 3080	8200-0008
R1	1	Regulator - Porter Model #8268 0-30psig	0000-0000
S)	1	Snubber - #6-32	4958-0028
P2	1	Pump - Peristaltic Drain 115Vac	4958-0045
P2	1	Pump - Peristaltic Drain 230Vac	



		A	06/18/16	AS BUILT	CK	MW
		REV	DATE	DESCRIPTION	DWN/APVD	
Model SCP W/ 3080 P&ID		REVISIONS				
PART NO. 3000-SCP-INT		FOR 3000 Series		DATE 09/18/2013	SCALE NTS	SIZE D
DRAWN BY M. Walser		ECO# 2805		SHEET 4 OF 5		
APVD BY M. Withrow		DRAWING NO. P2011				

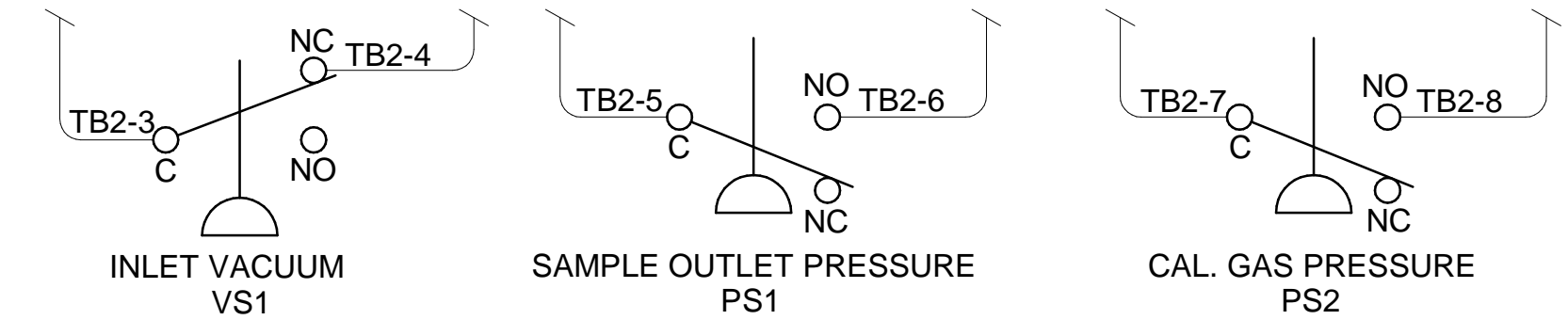


CONDUIT AND WIRING NOTES

- ELECTRICAL CLASSIFICATION : INSIDE - GENERAL PURPOSE SYSTEM IS CONFIGURED AT THE FACTORY FOR REQUIRED VOLTAGE. CONTACT FACTORY FOR VOLTAGE CHANGE REQUIREMENTS.
- AC WIRING SHALL BE INDIVIDUAL CONDUCTORS OF STRANDED TINNED COPPER WITH 300V, TYPE TFE INSULATION. MINIMUM WIRE SIZE SHALL BE 18 AWG UNLESS OTHERWISE SPECIFIED. COLOR CODE SHALL BE AS FOLLOWS:

115VAC	230VAC
HOT - BLACK	L1 - BROWN
NEUTRAL - WHITE	L2 - BLUE
GROUND - GREEN	G - GREEN
- DC WIRING SHALL BE INDIVIDUAL CONDUCTORS OF STRANDED TINNED COPPER WITH 300V, TYPE TFE INSULATION. MINIMUM WIRE SIZE SHALL BE 22 AWG UNLESS OTHERWISE SPECIFIED.

115VAC	230VAC
+V - RED	+VDC - RED
0V - BLUE	-VDC - BLACK



COLOR CODE SHALL BE AS FOLLOWS: +V - RED, 0V - BLUE, +VDC - RED, -VDC - BLACK

FIELD TO WIRE

		A	06/18/16	AS BUILT	CK	MW
3000 Series Wiring Schematic		REV	DATE	DESCRIPTION	DWN/APVD	
PART NO. 3000-SCP-INT FOR 3000 Series		DATE 09/18/2013		SCALE NTS	SIZE D	SHEET 5 OF 5
DRAWN BY M. Walser APVD BY M. Withrow		ECO# 2805		DRAWING NO. P2011		