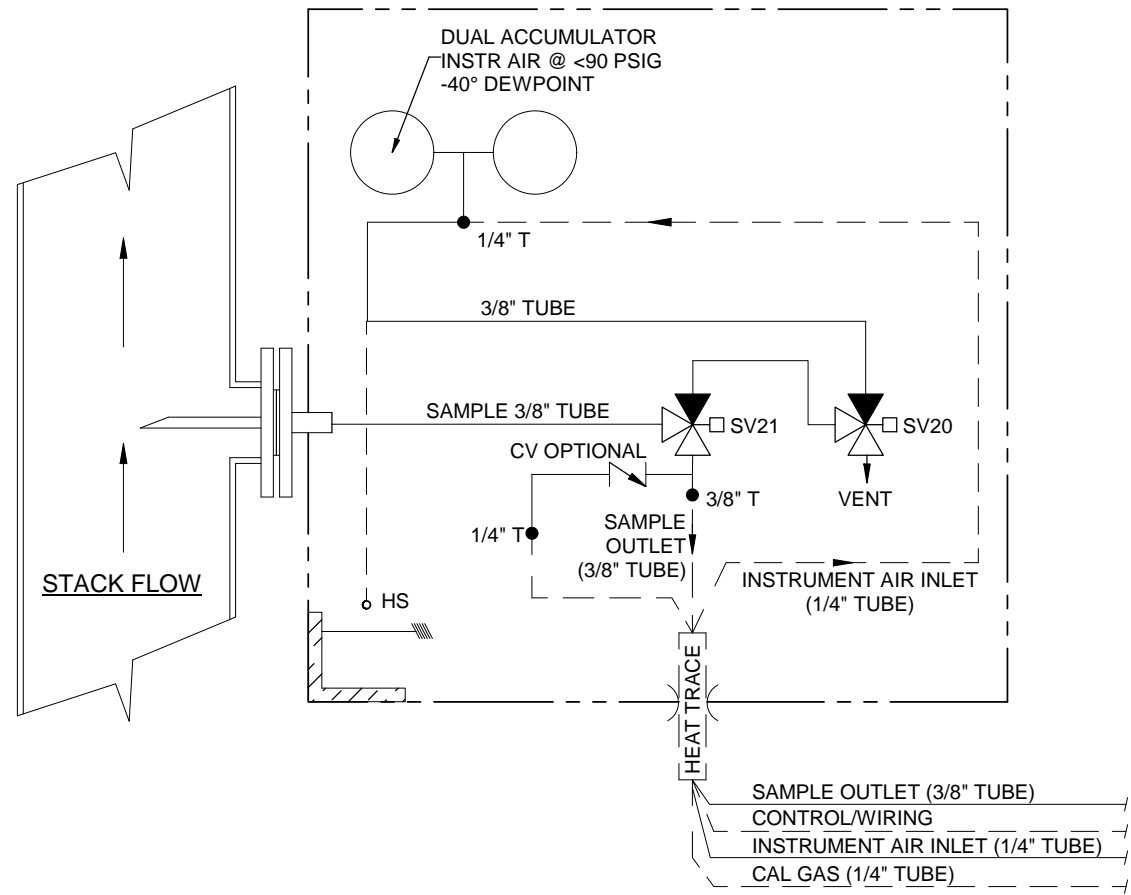


		5200 Convair Drive Carson City, NV 89706 PH(775)883-2500 FAX (775)883-6388	
REV	DATE	DESCRIPTION	DWN/APVD
F	10/06/14	UPDATED BLOWBACK WIRING	DR DR
REVISIONS			
DATE		SCALE	SHEET
06/06/2007		NTS	1 OF 4
DRAWN BY E. Musselman		ECO #	DRAWING NO.
APVD BY G. Evans		2205	P1186

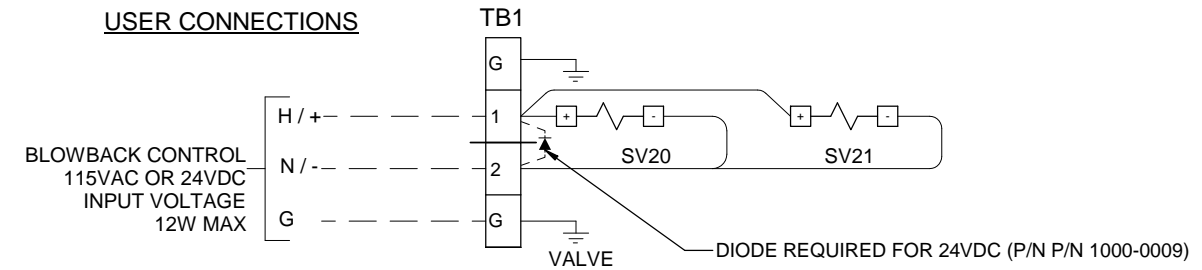
MODEL 271 FILTER PROBE  
ARRANGEMENT

PART NO. NOT ISSUED FOR INSTRUMENT

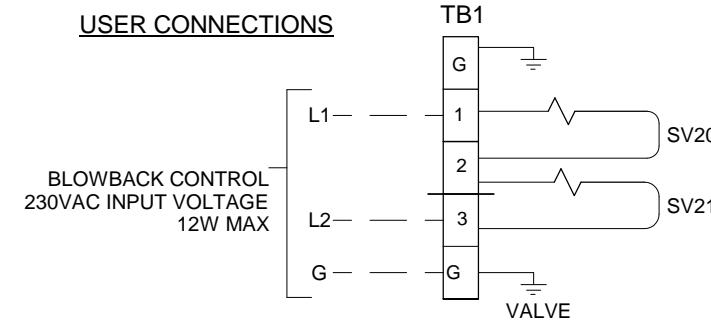
**P&ID**



**WIRING SCHEMATIC  
(NON-HEATED ENCLOSURE)  
115VAC or 24VDC**



**WIRING SCHEMATIC  
(NON-HEATED ENCLOSURE)  
230VAC**



**CONDUIT AND WIRING NOTES**

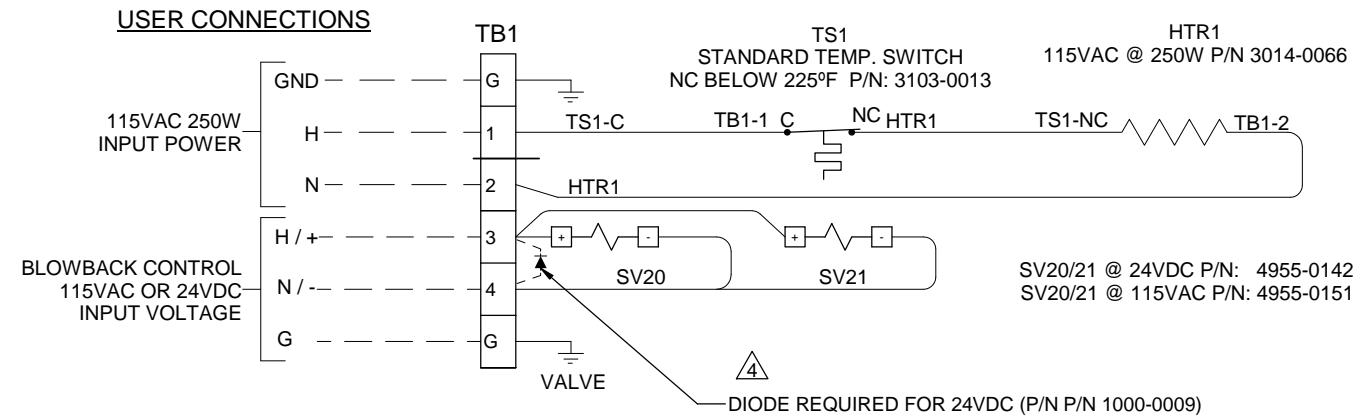
- Electrical Classification : Inside - General Purpose  
System is configured at the factory for required voltage. Contact factory for voltage change requirements.
- AC WIRING SHALL BE INDIVIDUAL CONDUCTORS OF STRANDED TINNED COPPER WITH 300V, TYPE TFE INSULATION. MINIMUM WIRE SIZE SHALL BE 18 AWG UNLESS OTHERWISE SPECIFIED. COLOR CODE SHALL BE AS FOLLOWS:  
115VAC | 230VAC  
HOT - BLACK | L1 - BROWN  
NEUTRAL - WHITE | L2 - BLUE  
GROUND - GREEN | G - GREEN
- DC Wiring shall be individual conductors of stranded tinned copper with 300V, Type TFE insulation. Minimum wire size shall be 22 AWG unless otherwise specified.

FIELD TO WIRE

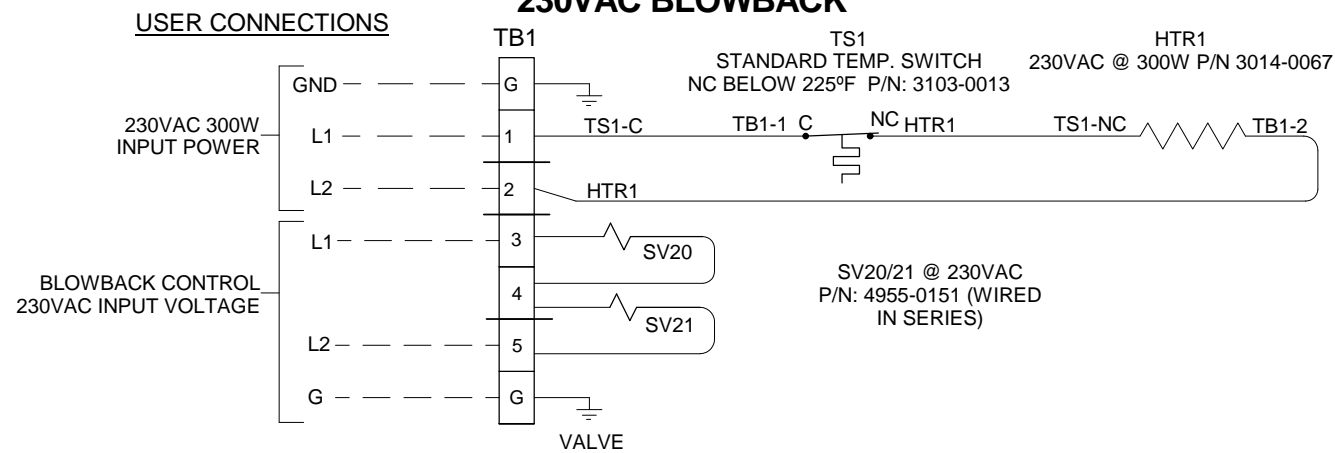
5200 Convair Drive Carson City, NV 89706 PH(775)883-2500 FAX (775)883-6388		F	10/06/14	UPDATED BLOWBACK WIRING	DR	DR
REV	DATE	DESCRIPTION		DWN	APVD	
REVISIONS						
DATE		SCALE	SIZE	SHEET		
06/06/2007		NTS	D	2 OF 4		
DRAWN BY E. Musselman		ECO #	DRAWING NO.			
APVD BY G. Evans		2205	P1186			
PART NO. NOT ISSUED		FOR INSTRUMENT				

Item	Blowback Voltage	Qty	Description	UAI Part No.
HS	N/A		HEATER SPARGER (HEATED ENCLOSURE ONLY)	5150-2144
SV20,21	24 VDC	2	Solenoid Valve 3-Way SS 150P.S.I. 24VDC	4955-0142
SV20,21	115 OR 230 VAC	2	Solenoid Valve 3-Way SS 150P.S.I 115VAC	4955-0151
CV	N/A	1	Check Valve (Optional)	4955-0148

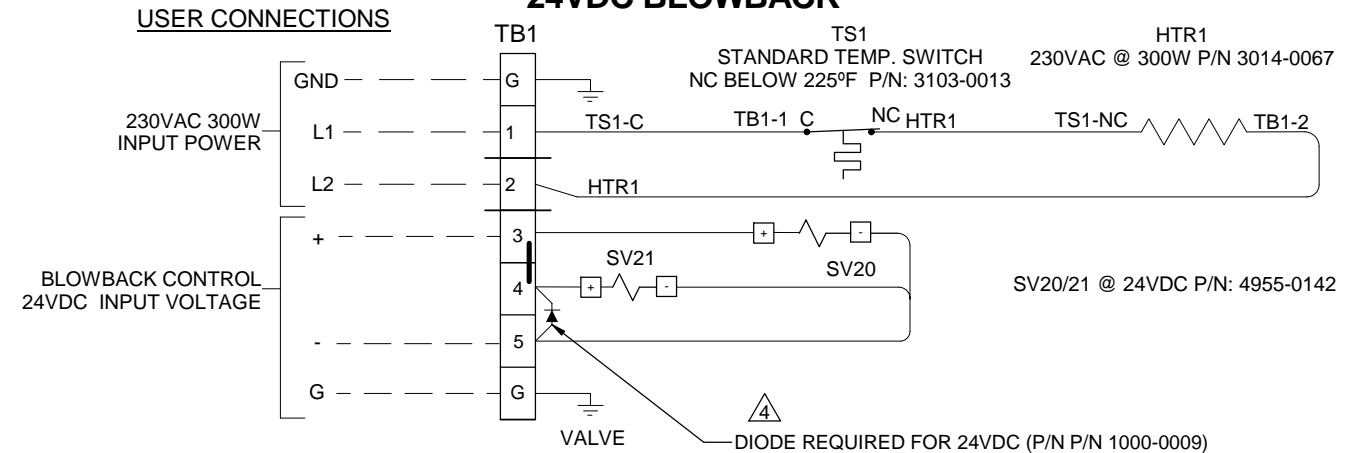
### WIRING SCHEMATIC 115VAC HEATED ENCLOSURE 115VAC OR 24VDC BLOWBACK



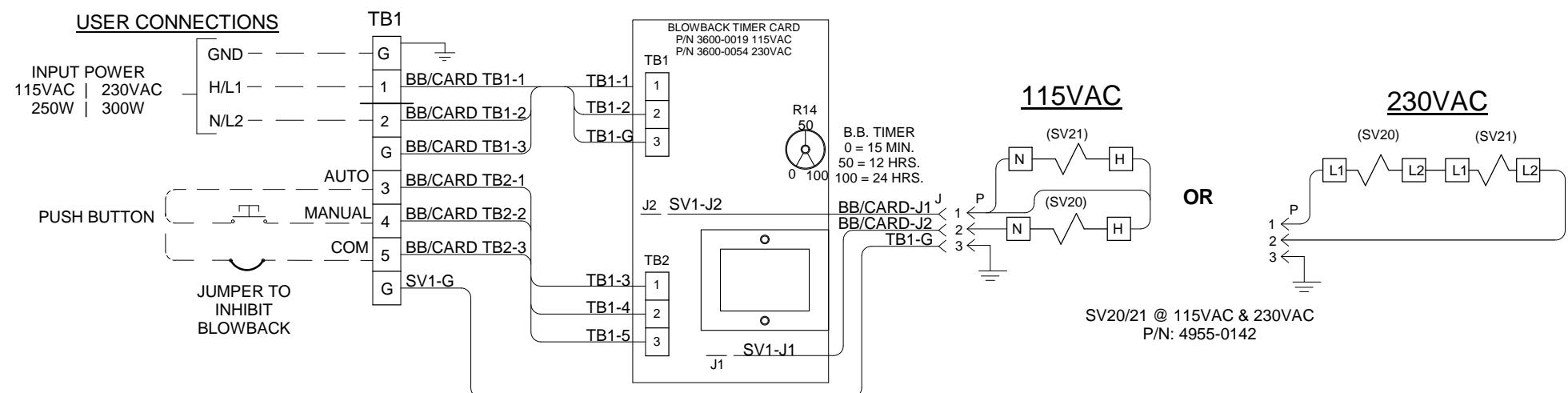
### WIRING SCHEMATIC 230VAC HEATED ENCLOSURE 230VAC BLOWBACK



### WIRING SCHEMATIC 230VAC HEATED ENCLOSURE 24VDC BLOWBACK



### WIRING SCHEMATIC 115VAC/230VAC WITH BLOWBACK TIMER CARD



#### CONDUIT AND WIRING NOTES

1. ELECTRICAL CLASSIFICATION : INSIDE - GENERAL PURPOSE SYSTEM IS CONFIGURED AT THE FACTORY FOR REQUIRED VOLTAGE. CONTACT FACTORY FOR VOLTAGE CHANGE REQUIREMENTS.

2. AC WIRING SHALL BE INDIVIDUAL CONDUCTORS OF STRANDED TINNED COPPER WITH 300V, TYPE TFE INSULATION. MINIMUM WIRE SIZE SHALL BE 18 AWG UNLESS OTHERWISE SPECIFIED. COLOR CODE SHALL BE AS FOLLOWS:

	115VAC	230VAC
HOT	- BLACK	L1 - BROWN
NEUTRAL	- WHITE	L2 - BLUE
GROUND	- GREEN	G - GREEN

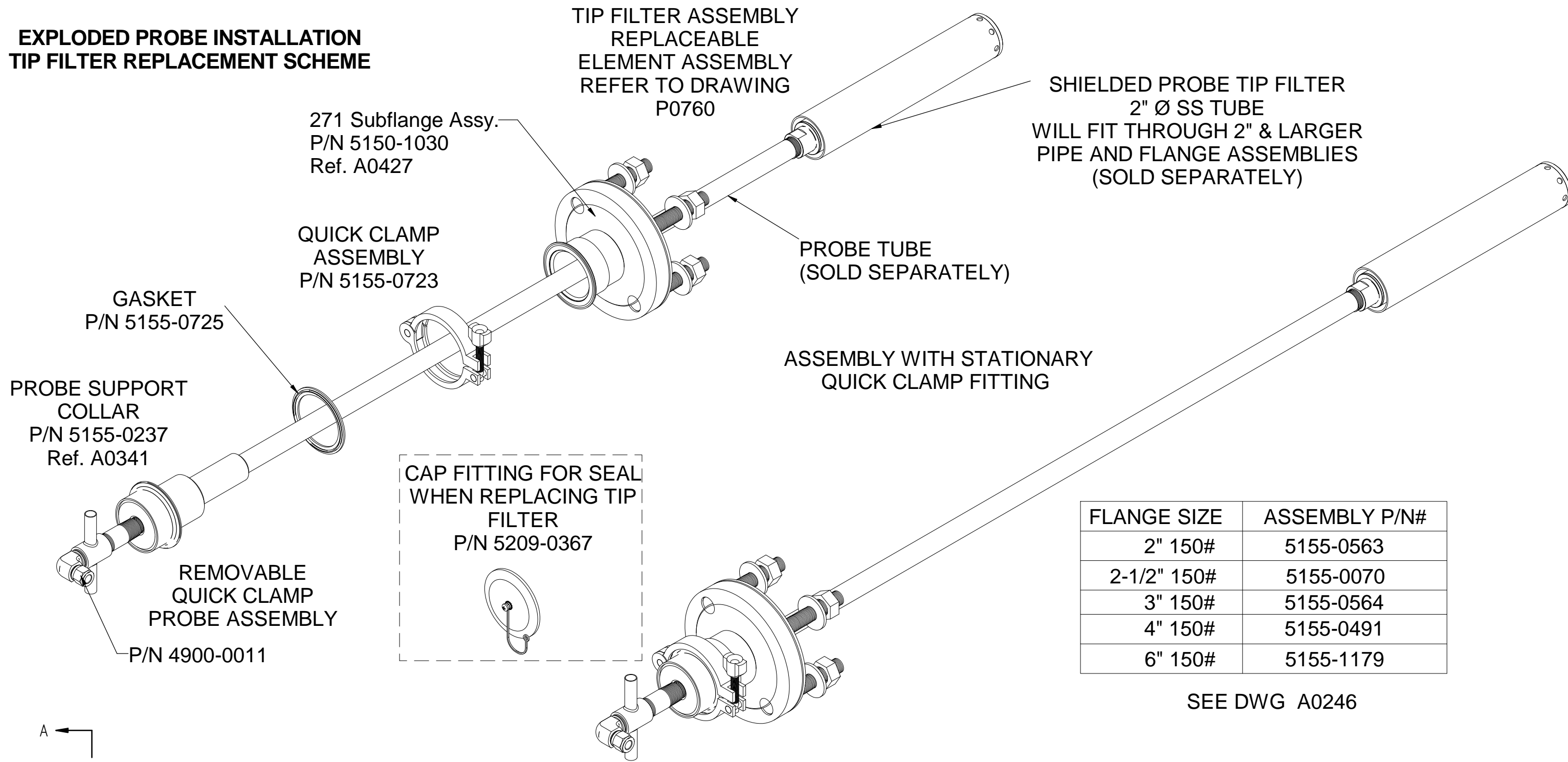
3. DC WIRING SHALL BE INDIVIDUAL CONDUCTORS OF STRANDED TINNED COPPER WITH 300V, TYPE TFE INSULATION. MINIMUM WIRE SIZE SHALL BE 22 AWG UNLESS OTHERWISE SPECIFIED.

⚠️ DIODE ONLY REQUIRED ON 24VDC VERSION

-----  
FIELD TO WIRE

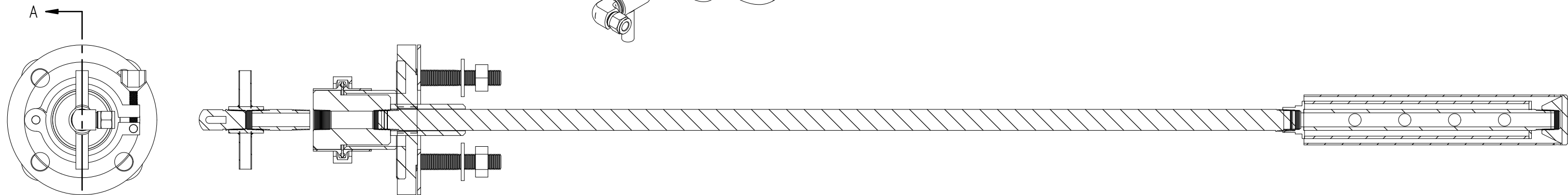
		F 10/06/14	UPDATED BLOWBACK WIRING	DR	DR
		REV	DATE	DESCRIPTION	DWN/APVD
MODEL 271 FILTER PROBE ARRANGEMENT					
PART NO. NOT ISSUED		FOR INSTRUMENT		DRAWN BY E. Musselman	ECO # 2205
APVD BY G. Evans		DATE 06/06/2007	SCALE NTS	SIZE D	SHEET 3 OF 4
				DRAWING NO. P1186	

**EXPLODED PROBE INSTALLATION  
TIP FILTER REPLACEMENT SCHEME**



FLANGE SIZE	ASSEMBLY P/N#
2" 150#	5155-0563
2-1/2" 150#	5155-0070
3" 150#	5155-0564
4" 150#	5155-0491
6" 150#	5155-1179

SEE DWG A0246



SECTION A-A

5200 Convair Drive Carson City, NV 89706 PH(775)883-2500 FAX (775)883-6388		F 10/06/14	UPDATED BLOWBACK WIRING	DR	DR
		REV	DATE	DESCRIPTION	DWN/APVD
MODEL 271 FILTER PROBE ARRANGEMENT					
PART NO. NOT ISSUED		FOR INSTRUMENT		DATE 06/06/2007	SCALE NTS
DRAWN BY E. Musselman		ECO # 2205		SIZE D	SHEET 4 OF 4
APVD BY G. Evans				DRAWING NO. P1186	