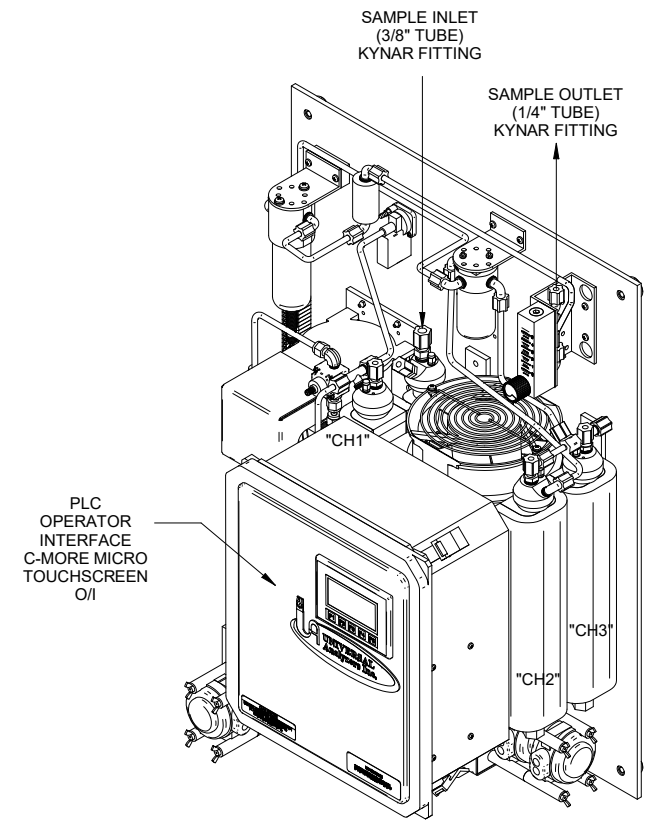
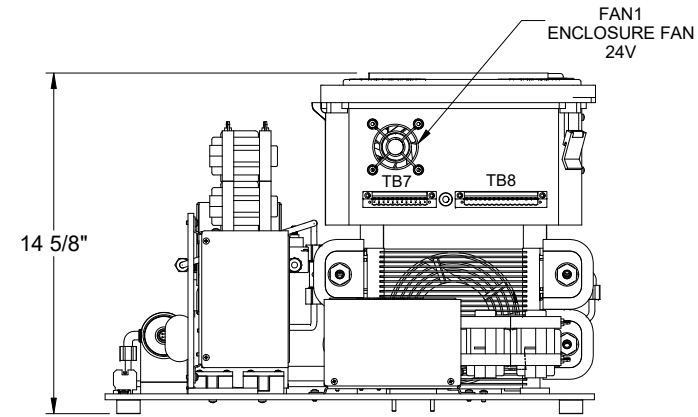


FRONT VIEW



ISOMETRIC VIEW

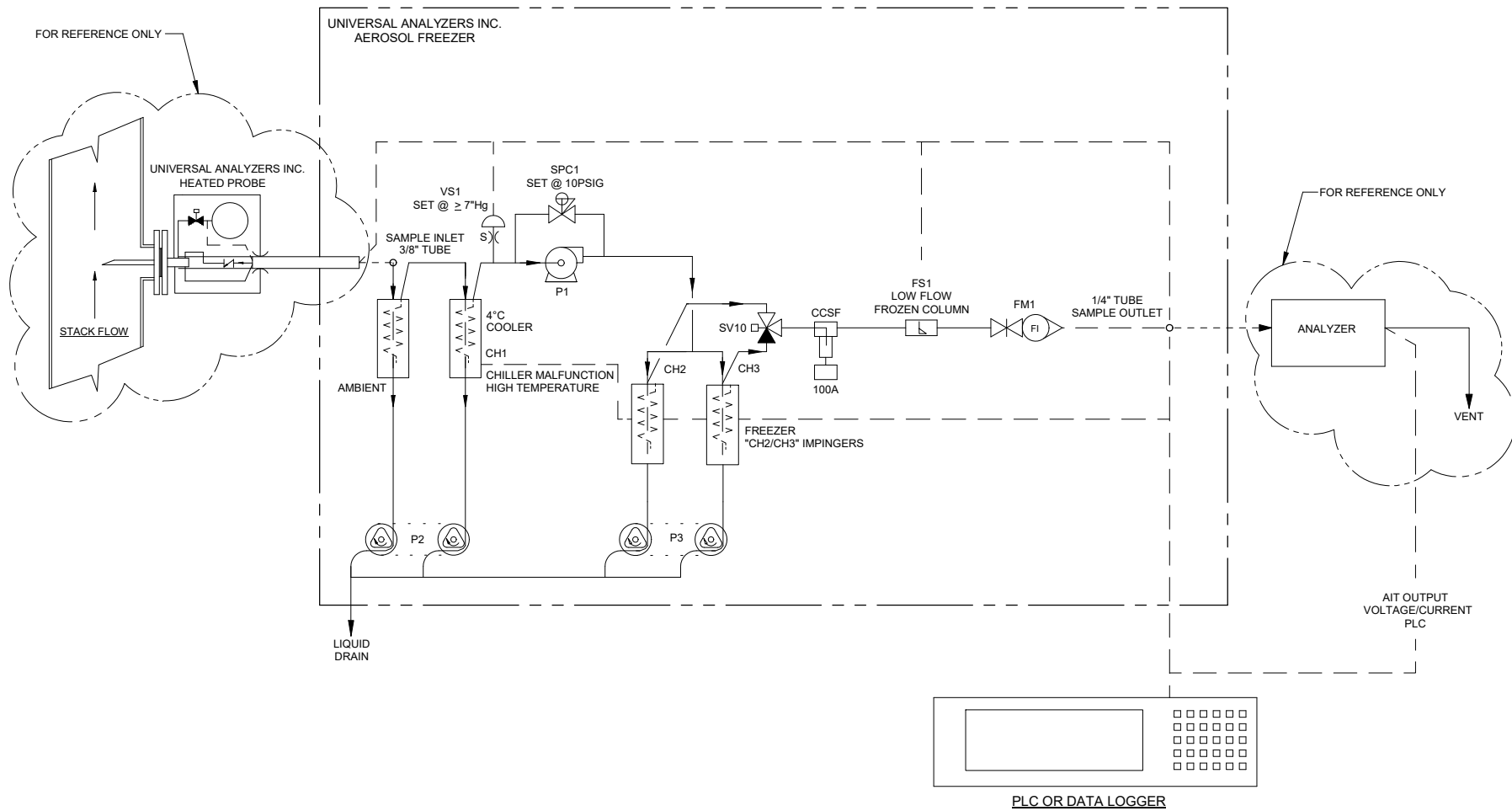


BOTTOM VIEW

- NOTES:
- 1). SEE SHEET 2 FOR P&ID.
 - 2). SEE SHEET 3 FOR WIRING SCHEMATIC.
 - 3). SEE P1213 FOR ELECTRONICS SUB ASSEMBLY.
 - 4). SEE P1214 FOR HEATSINK SUB ASSEMBLY.

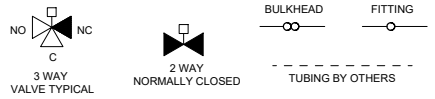
PART NUMBER	LINE VOLTAGE
1095E-115	115VAC
1095E-230	230VAC

		R 07/07/16	Update CCSF CCS	MW	EM
1095E 115/230VAC LAYOUT & DIMENSIONS		REV DATE	DESCRIPTION	DWN/AVD	
PART NO. FOR SEE TABLE		DATE 02/18/2007	SCALE NTS	SIZE D	SHEET 1 OF 3
DRAWN BY R. Wells APVD BY P. Stockwell		ECO# 2842	DRAWING NO. P1155		



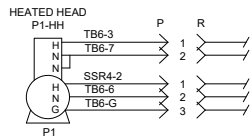
Item	Qty	Description	UAI Part No.
VS1	1	Switch - Vacuum Air Logic 0-29"Hg	3103-0017
CCSF	1	Condensate Sensor Filtered 2 Micron	CCSF-0007
SPC1	1	Sample Pressure Control	4955-0246
P1	1	Sample Pump - 115Vac Single Heated Head Mini Dia Vac	4958-0125
P1	1	Sample Pump - 230Vac Single Heated Head Mini Dia Vac	4958-0168
FS1	1	Flow Switch \approx 560cc/m	3103-0051
SV10	1	Solenoid Valve - 115Vac 3-Way Teflon	4955-0048
SV10	1	Solenoid Valve - 230Vac 3-Way Teflon	4955-0057
P2_P3	2	Peristaltic Drain Pump - 115Vac Dual Head	4958-0012
P2_P3	2	Peristaltic Drain Pump - 230Vac Dual Head	4958-0035
FM1	1	Flowmeter w/ Needle Valve 0-5 l/m	4965-0008
S)	1	Snubber - #6-32	0000-0000

LEGEND

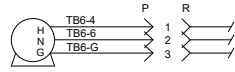


PART NUMBER	LINE VOLTAGE
1095E-115	115VAC
1095E-230	230VAC

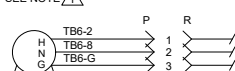
		R 07/07/16	Update CCSF CCS	MW	EM
1095E P & ID		REV DATE	DESCRIPTION	DWN/APVD	
PART NO. FOR SEE TABLE		DATE 02/18/2007	SCALE NTS	SIZE D	SHEET 2 OF 3
Instrument		DRAWN BY R. Wells	ECO#	2842	DRAWING NO. P1155
		APVD BY P. Stockwell			



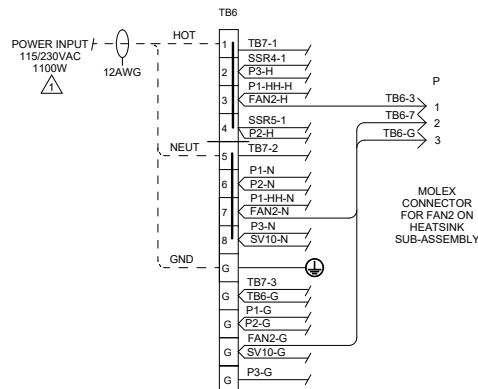
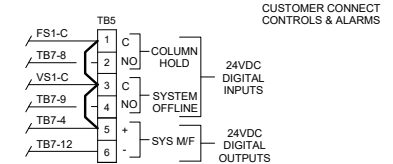
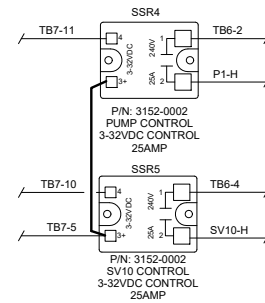
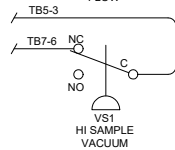
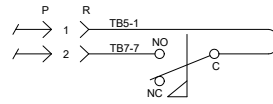
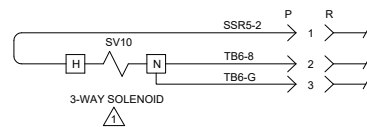
SAMPLE PUMP
SEE NOTE



DRAIN PUMP
SEE NOTE



DRAIN PUMP
SEE NOTE



CONDUIT AND WIRING NOTES

- Electrical Classification: Inside - General Purpose
System is configured at the factory for required voltage. Contact factory for voltage change requirements.
- AC Wiring shall be individual conductors of stranded tinned copper with 300V, Type TFE Insulation. Minimum wire size shall be 18 AWG unless otherwise specified.
115VAC 230VAC
Color Code Shall be as follows: Hot - Black L1 - Brown
Neutral - White L2 - Blue
Ground - Green GND - Green/Yellow
- DC Wiring shall be individual conductors of stranded tinned copper with 300V, Type TFE Insulation. Minimum wire size shall be 22 AWG unless otherwise specified.
Color Code shall be as follows: +V - Red Yellow - Switch
-V - Blue on 115VAC Systems
Black on 230VAC Systems

HEAT SINK SUB-ASSEMBLY
INCLUDES MATING
CONNECTOR FOR TB8

FIELD TO WIRE

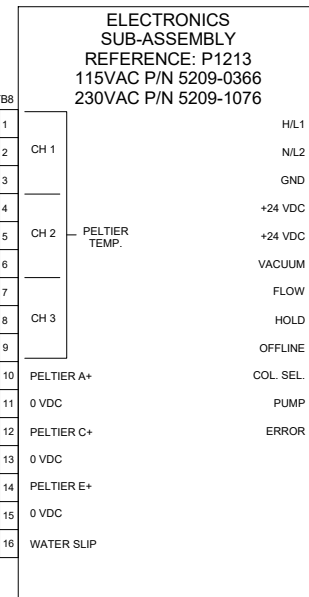
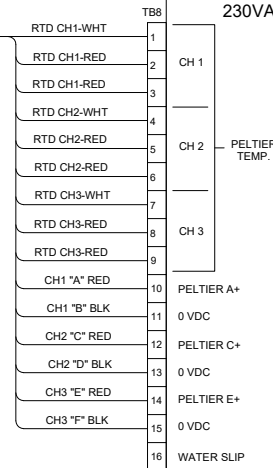
PLC LEGEND

- PLC INPUTS
X0 - VS1 HI SAMPLE VACUUM
X1 - FS1 LOW FLOW
X2
X3 - WATER CARRY/SLIP
X4
X5
X6 - COLUMN HOLD
X7 - SYSTEM OFFLINE
- PLC OUTPUTS
Y0 - SV10 SSR5 CONTROL
Y1 - CH1 CONTROL
Y2 - CH2 CONTROL
Y3 - CH3 CONTROL
Y4 - SAMPLE PUMP CONTROL
Y5 - SYSTEM MALFUNCTION

MOLEX CONNECTOR LEGEND

- R = RECEPTACLE (FEMALE HOUSING) ← = SOCKET (FEMALE TERMINAL)
- P = PLUG (MALE HOUSING) → = PIN (MALE TERMINAL)

HEAT SINK SUB-ASSEMBLY
REFERENCE: P1214
P/N 5209-0364 FOR 115VAC
P/N 5209-0393 FOR 230VAC



PART NUMBER	LINE VOLTAGE
1095E-115	115VAC
1095E-230	230VAC

5200 Conwar Drive Carson City, NV 89706 PH: (775) 883-2000 FAX: (775) 883-9388		R	07/07/16	Update CCSF CCS	MW	EM
UNIVERSAL AMETEK		REV	DATE	DESCRIPTION	DWN/REV	
1095E (115 VAC) WIRING SCHEMATIC		REVISIONS				
DATE	SCALE	NTS	SIZE	SHEET		
02/18/2007			D	3 OF 3		
PART NO.	FOR	DRAWN BY	R. Wells	ECO#	DRAWING NO.	
SEE TABLE	Instrument	APVD BY	P. Stockwell	2842	P1155	