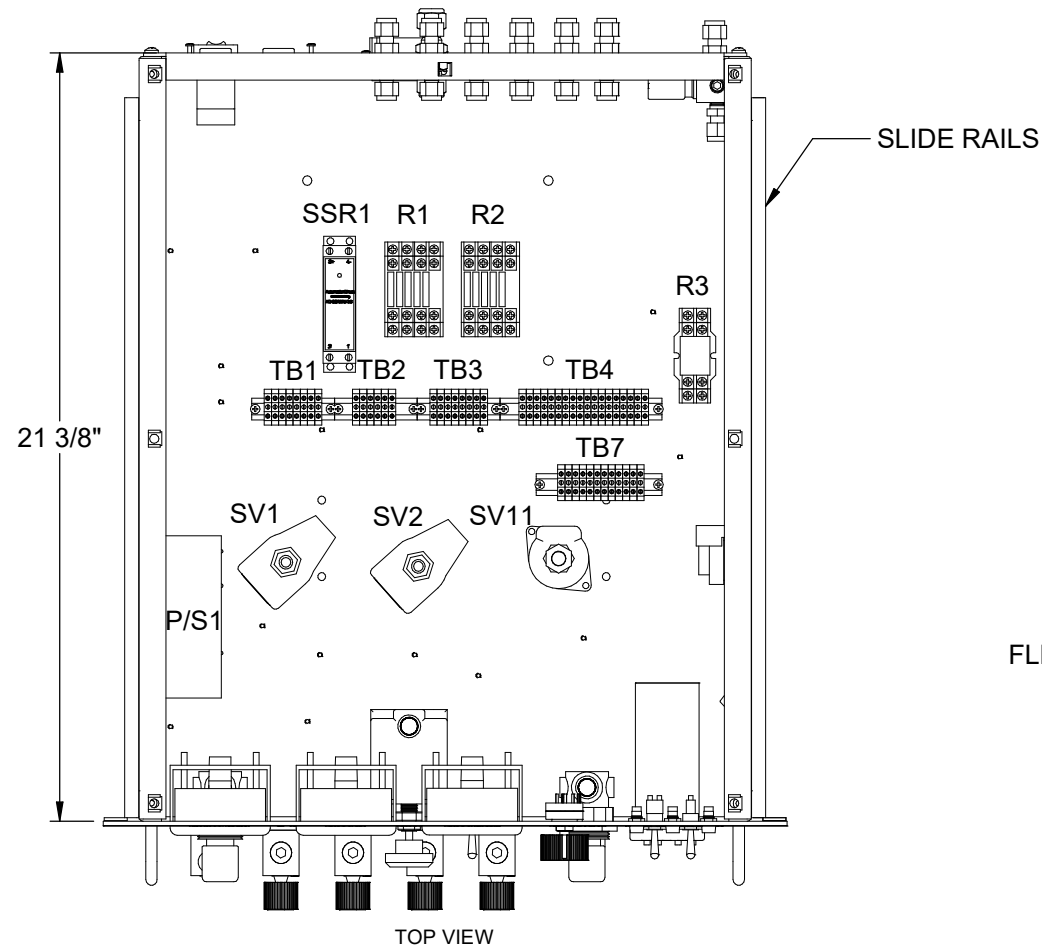


REF. DWG. M1271 P/N 5026-0201 FOR SINGLE FRONT PANEL
 REF. DWG. M1271 P/N 5026-0209 FOR DUAL FRONT PANEL
 REF. DWG. V0397 P/N 5001-0322 FOR OVERLAY.
 REF. DWG. V0431 P/N 5006-1008 FOR REAR PANEL.



728DCD-1S-6C-FLB-T/C K-T/C K-BBM(24)

MODEL

NUMBER OF SAMPLES
 1S = 1 SAMPLE + BYPASS
 2S = 2 SAMPLE + BYPASS
 3S = 3 SAMPLE + BYPASS
 4S = 4 SAMPLE + BYPASS

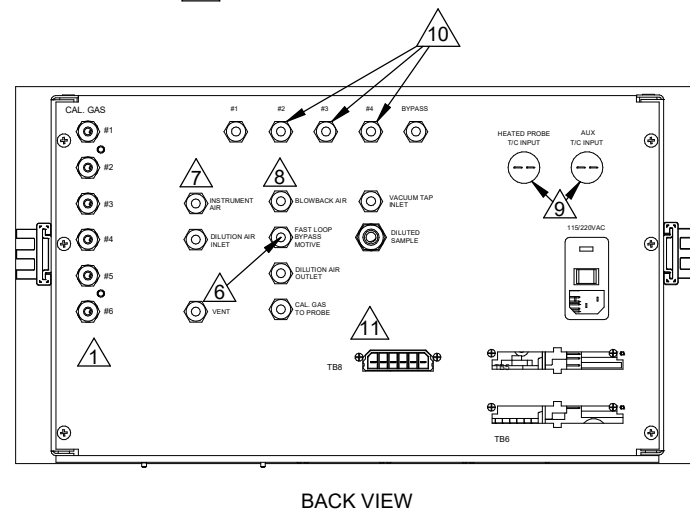
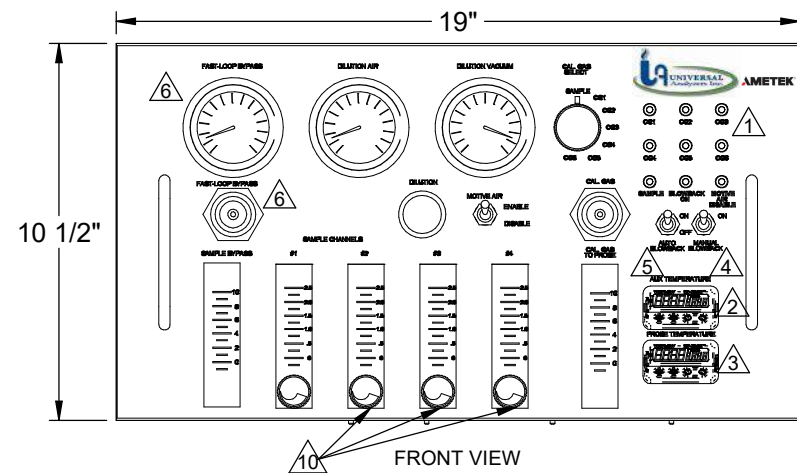
NUMBER OF CAL GASES
 2C = 2 CAL GASES
 3C = 3 CAL GASES
 4C = 4 CAL GASES
 5C = 5 CAL GASES
 6C = 6 CAL GASES

FAST LOOP CONTROL
 FLB = REGULATOR & GAUGE FOR FAST LOOP
 N = NO FAST LOOP CONTROL

BLOWBACK CONTROL
 BBT(115) = BLOWBACK TIMER CARD (115VAC)
 BBT(230) = BLOWBACK TIMER CARD (230VAC)
 BBM(24) = MANUAL BLOWBACK (24VAC)
 BBM(115) = MANUAL BLOWBACK (115VAC)
 BBM(230) = MANUAL BLOWBACK (230VAC)
 BBL = BLOWBACK BULKHEAD
 N = NO BLOWBACK PROVISIONS

AUX CONTROL
 T/C K = DIN CONTROLLER W/TYPE "K" INPUT
 T/C J = DIN CONTROLLER W/TYPE "J" INPUT
 PT100 = DIN CONTROLLER W/TYPE "PT100" INPUT
 N = NO AUX. CONTROL

HEATED PROBE FILTER CONTROL
 T/C K = DIN CONTROLLER W/TYPE "K" INPUT
 N = NO PROBE HEATER CONTROL

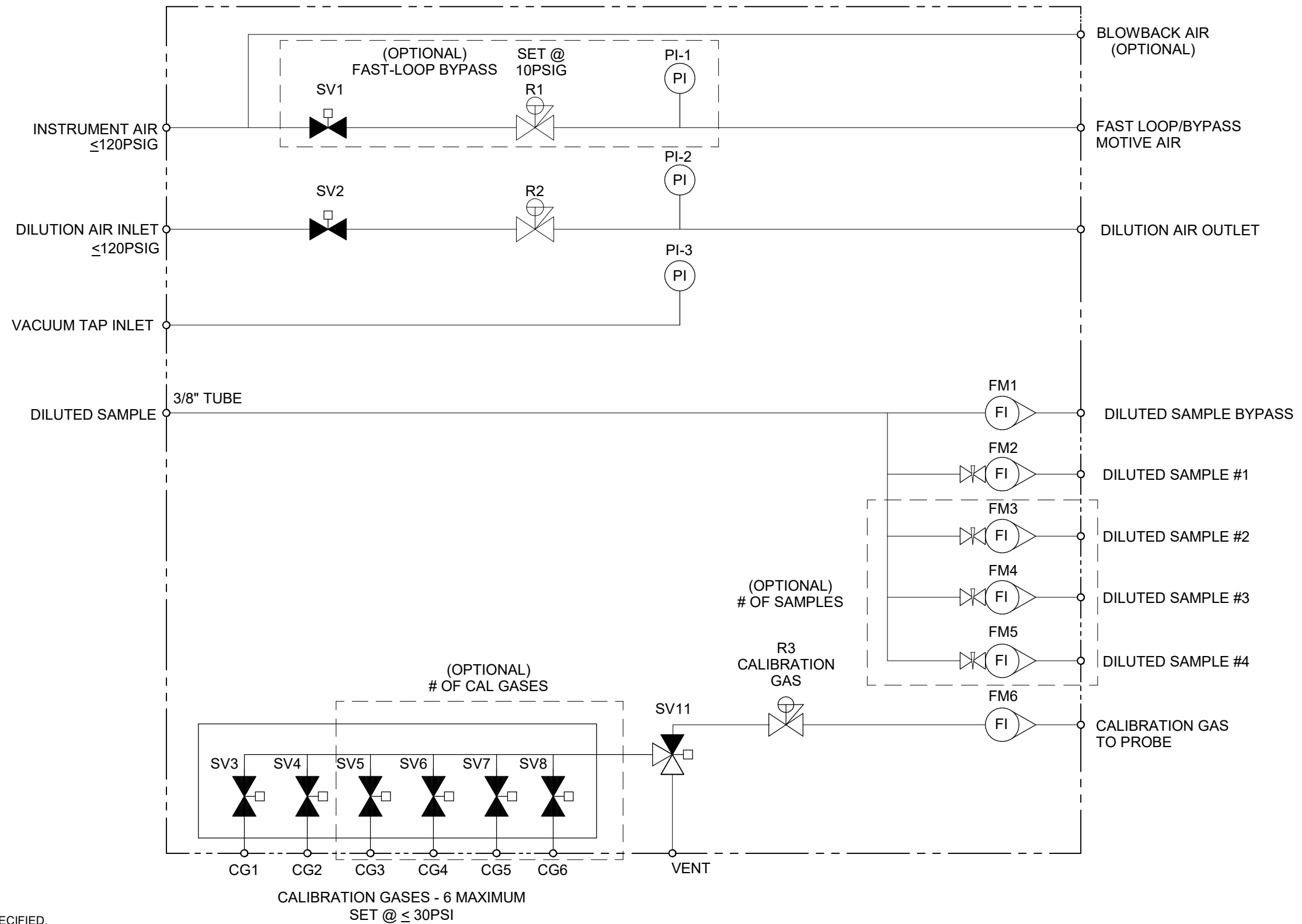


- 1 OPTIONAL NUMBER OF CAL GASES.
- 2 OPTIONAL HEATED PROBE FILTER CONTROL.
- 3 OPTIONAL AUX. CONTROL. INCLUDE IF T/C "K", T/C "J" OR PT100.
- 4 OPTIONAL MANUAL BLOWBACK CONTROL.
- 5 OPTIONAL AUTO BLOWBACK CONTROL.
- 6 OPTIONAL FAST-LOOP BYPASS.
- 7 OPTIONAL FAST-LOOP BYPASS, BLOWBACK CONTROL, BLOWBACK MANUAL OR BLOWBACK LINE.
- 8 OPTIONAL BLOWBACK CONTROL, BLOWBACK MANUAL OR BLOWBACK LINE.
- 9 OPTIONAL THERMOCOUPLE TYPE "K" OR "J".
- 10 OPTIONAL NUMBER OF DILUTED SAMPLES.
- 11 OPTIONAL AUX. TEMP CONTROL.

NOTES:

- 1). SEE SHEET 2 FOR P&ID.
- 2). SEE SHEETS 3 THRU 7 FOR WIRING SCHEMATICS.

5200 Convair Drive Carson City, NV 89706 PH(775)883-2500 FAX (775)883-6388		L	12/10/19	UPDATED TO MAX 6 CAL GASES	CS	DW
		REV	DATE	DESCRIPTION	DWN APVD	
		REVISIONS				
DILUTION CONTROLLER DRAWER		DATE	SCALE	SIZE	SHEET	
		01/18/2007	NONE	D	1 OF 7	
PART NO.	FOR	DRAWN BY		ECO#	DRAWING NO.	
NOT ISSUED	728 DCD	R. Wells		3305	P1144	
		APVD BY				
		G. Evans				

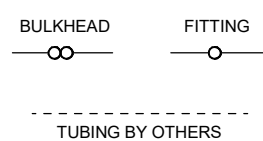
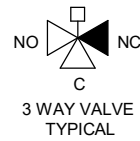


NOTES:

1). ALL CONNECTIONS ARE 1/4" TUBE UNLESS OTHERWISE SPECIFIED.

CALIBRATION GASES - 6 MAXIMUM
SET @ ≤ 30PSI

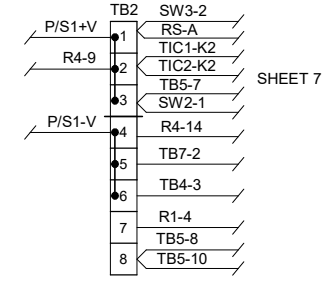
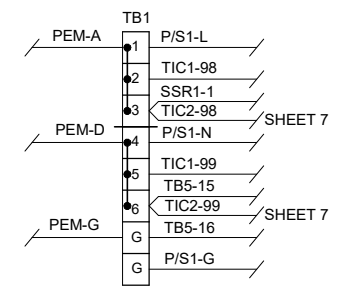
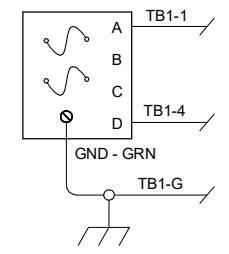
LEGEND



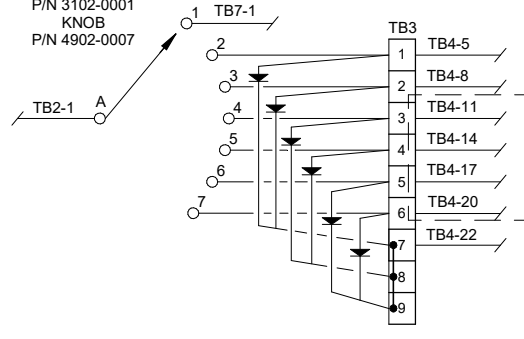
5200 Convair Drive Carson City, NV 89706 PH(775)883-2500 FAX (775)883-6388		L	12/10/19	UPDATED TO MAX 6 CAL GASES	CS	DW
		REV		DATE	DESCRIPTION	DWN
AMETEK		REVISIONS				
P&ID		DATE	SCALE	SIZE	SHEET	
		01/18/2007	NONE	D	2 OF 7	
PART NO.	FOR	DRAWN BY		ECO#	DRAWING NO.	
NOT ISSUED	728 DCD	R. Wells		3305	P1144	
		APVD BY				
		G. Evans				

Item	Qty	Description	UAI Part No.
FM1, 6	2	Flowmeter W/ Out Needle Valve 0-10 l/m	4965-0020
FM2 - 5	4	Flowmeter W/Needle Valve 0-2.5 l/m	4965-0018
PI-1	1	Gauge - Pressure 0-30psig	3019-0019
PI-2	1	Gauge - Pressure 0-100psig	3019-0007
PI-3	1	Gauge - Vacuum 0-30"Hg	3019-0006
R2	1	Regulator - 0-100psig	8200-0020
R1, 3	2	Regulator - 0-30psig	8200-0019
SV1, 2	2	Valve - Solenoid 24Vdc 2 Way - Normally Closed	4955-0010
SV3 - 8	6	Valve - Solenoid 24Vdc 2 Way	4955-0247
SV11	1	Valve - Solenoid 24Vdc 3 Way	4955-0062

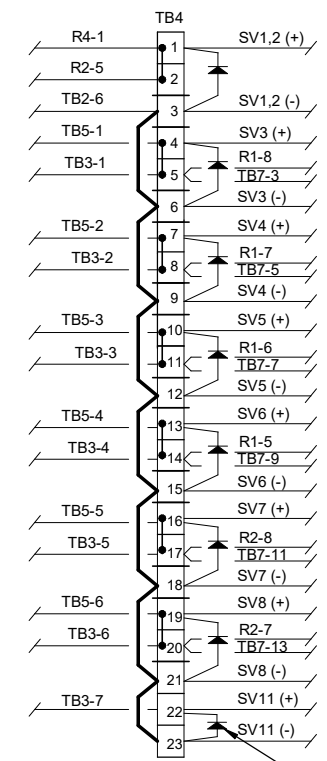
PEM POWER INPUT
120/230 VAC 100 WATTS
(2) 6-AMP S.B. FUSE
FUSE P/N: 3010-0005



ROTARY SWITCH
RS
12 POSITION
P/N 3102-0001
KNOB
P/N 4902-0007

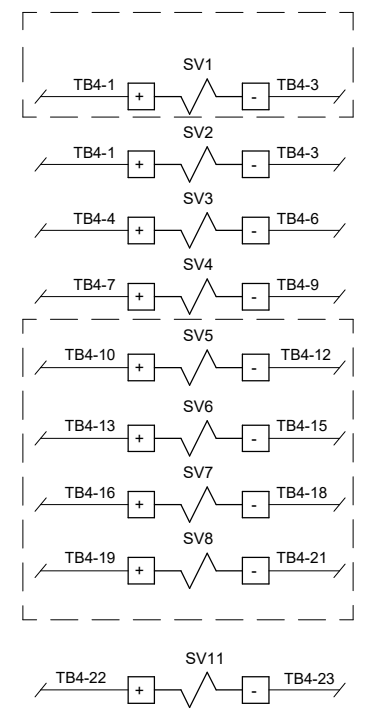


(OPTIONAL)
OF CAL GASES

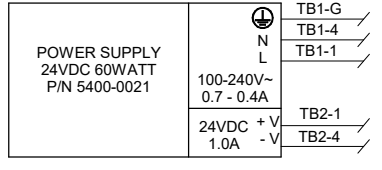


DIODE RECTIFIERS
#1N4004
P/N 1000-0009
TYP

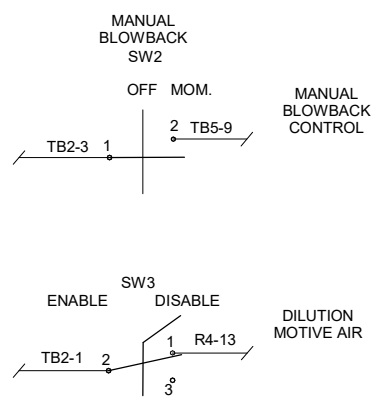
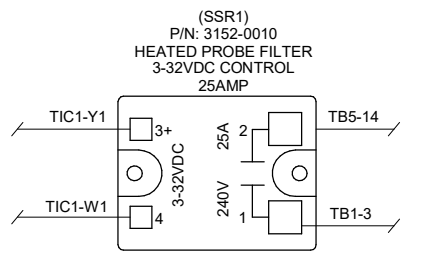
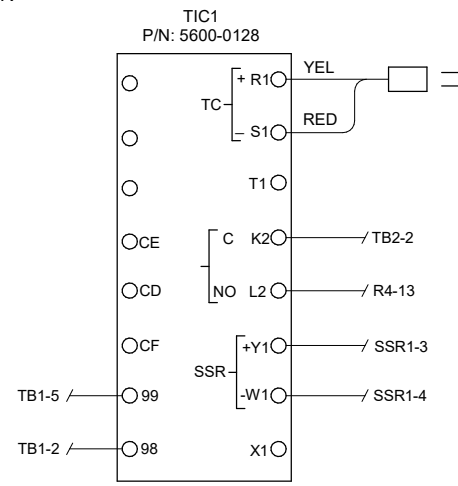
(OPTIONAL)
FAST-LOOP BYPASS



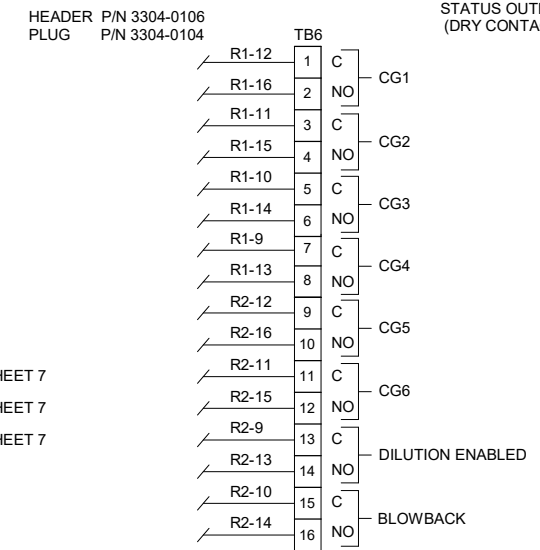
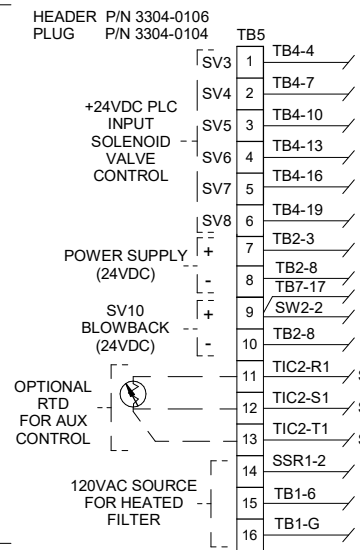
(OPTIONAL)
OF CAL GASES



(OPTIONAL)
HEATED FILTER
CONTROL

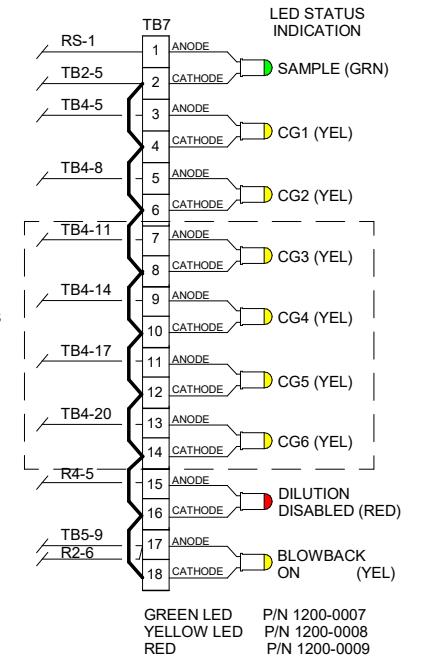


CUSTOMER CONNECTIONS



STATUS OUTPUTS
(DRY CONTACTS)

(OPTIONAL)
OF CAL GASES

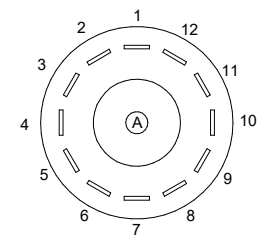
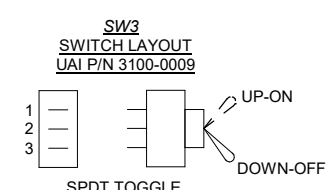
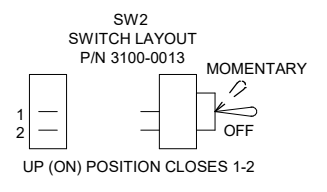


GREEN LED P/N 1200-0007
YELLOW LED P/N 1200-0008
RED P/N 1200-0009

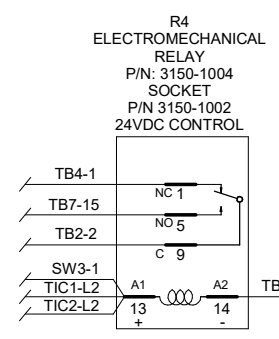
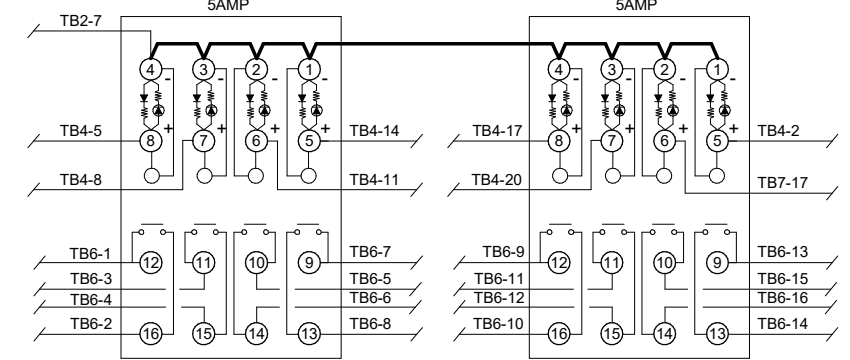
CONDUIT AND WIRING NOTES

- ELECTRICAL CLASSIFICATION : INSIDE - GENERAL PURPOSE SYSTEM IS CONFIGURED AT THE FACTORY FOR REQUIRED VOLTAGE. CONTACT FACTORY FOR VOLTAGE CHANGE REQUIREMENTS.
- AC WIRING SHALL BE INDIVIDUAL CONDUCTORS OF STRANDED TINNED COPPER WITH 300V, TYPE TFE INSULATION. MINIMUM WIRE SIZE SHALL BE 18 AWG UNLESS OTHERWISE SPECIFIED. COLOR CODE SHALL BE AS FOLLOWS:
115VAC/230VAC
HOT - BLACK
NEUTRAL - WHITE
- CHASSIS GROUND MINIMUM WIRE SIZE IS 14AWG GREEN / YELLOW WIRE.
- DC WIRING SHALL BE INDIVIDUAL CONDUCTORS OF STRANDED TINNED COPPER WITH 300V, TYPE TFE INSULATION. MINIMUM WIRE SIZE SHALL BE 22 AWG UNLESS OTHERWISE SPECIFIED. COLOR CODE SHALL BE AS FOLLOWS:
115VAC/230VAC
+V - RED
0V - BLUE

FIELD TO WIRE

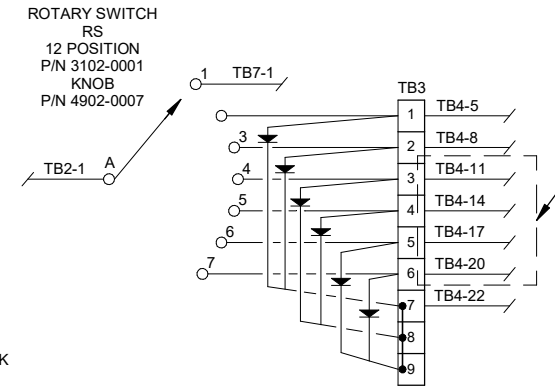
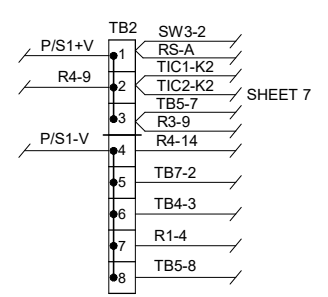
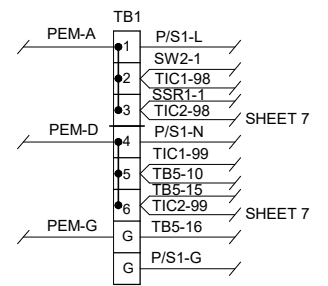
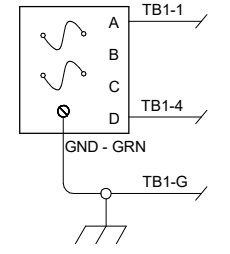


ROTARY SWITCH
12 POSITION
PIN CONFIGURATION
(REAR VIEW)
TYPICAL
P/N 3102-0001
KNOB P/N 4902-0007

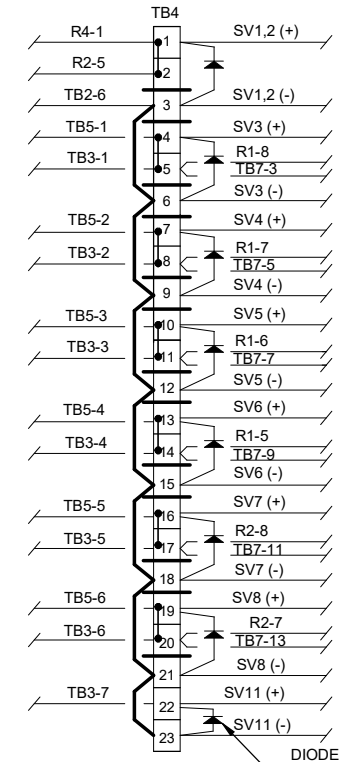


5200 Convoir Drive Carson City, NV 89706 PH(775)883-2500 FAX (775)883-6388		L	12/10/19	UPDATED TO MAX 6 CAL GASES	CS	DW
		REV	DATE	DESCRIPTION	DWN	APVD
24VDC MANUAL BLOWBACK BBM(24) SCHEMATIC				REVISIONS		
PART NO.	FOR	DATE	SCALE	SIZE	SHEET	
NOT ISSUED	728 DCD	01/18/2007	NONE	D	3 OF 7	
DRAWN BY R. Wells		ECO#		DRAWING NO.		
APVD BY G. Evans		3305		P1144		

PEM POWER INPUT
120/230 VAC 100 WATTS
(2) 6-AMP S.B. FUSE
FUSE P/N: 3010-0005

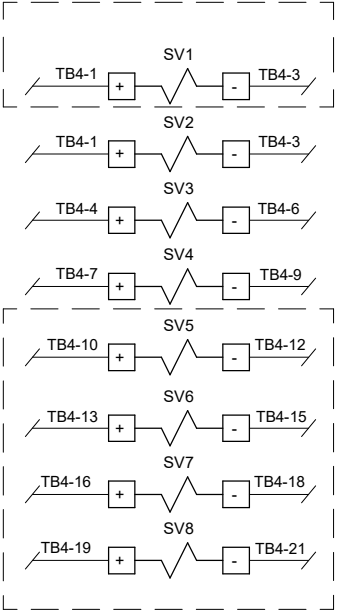


(OPTIONAL)
OF CAL GASES



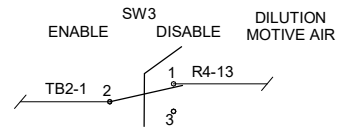
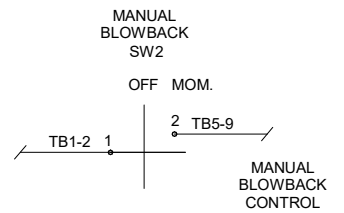
DIODE RECTIFIERS
#1N4004
P/N 1000-0009
TYP

(OPTIONAL)
FAST-LOOP BYPASS

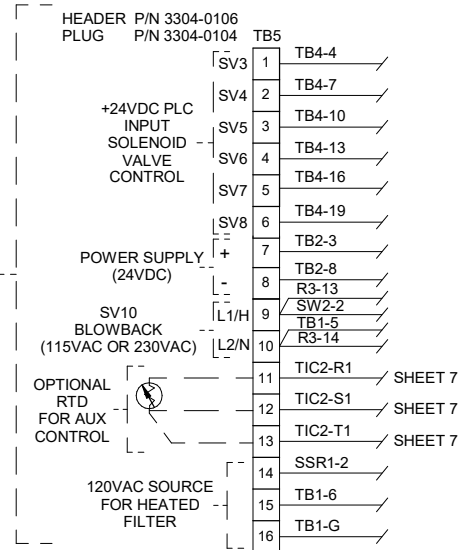
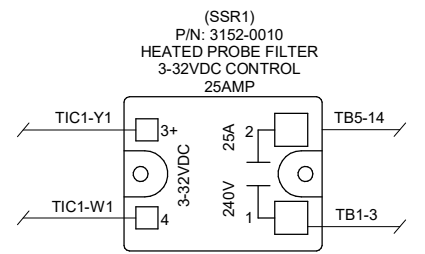
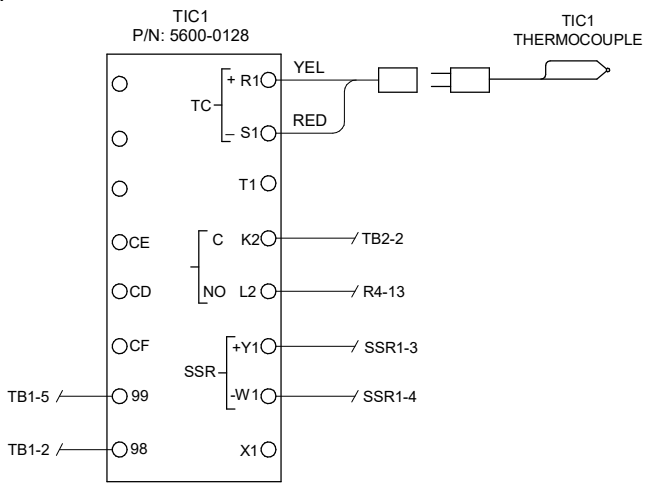


(OPTIONAL)
OF CAL GASES

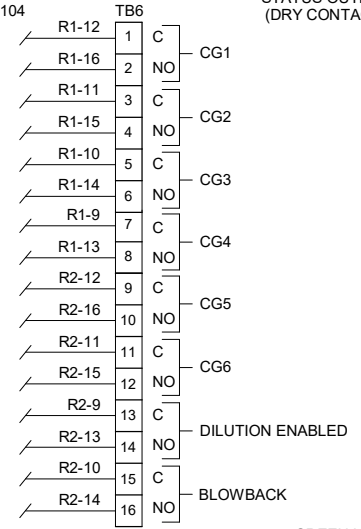
POWER SUPPLY 24VDC 60WATT P/N 5400-0021	 N L N L	TB1-G
		TB1-4
		TB1-1
		TB2-1
		TB2-4



(OPTIONAL)
HEATED FILTER
CONTROL

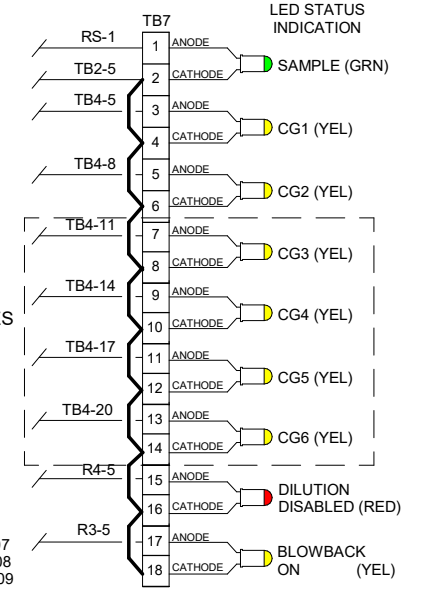


HEADER P/N 3304-0106
PLUG P/N 3304-0104



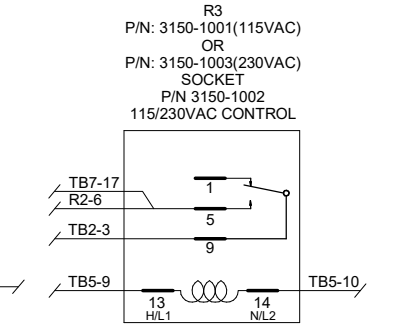
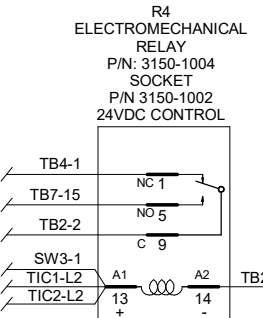
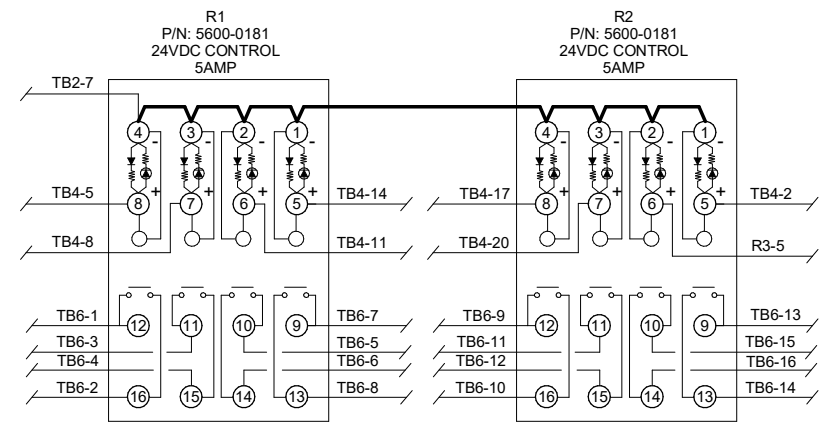
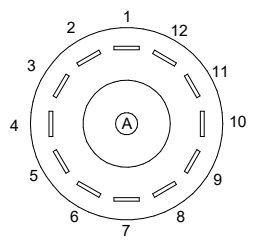
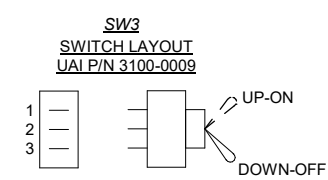
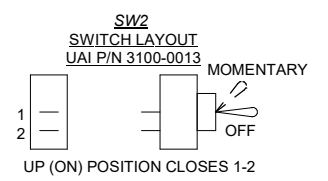
STATUS OUTPUTS
(DRY CONTACTS)

(OPTIONAL)
OF CAL GASES



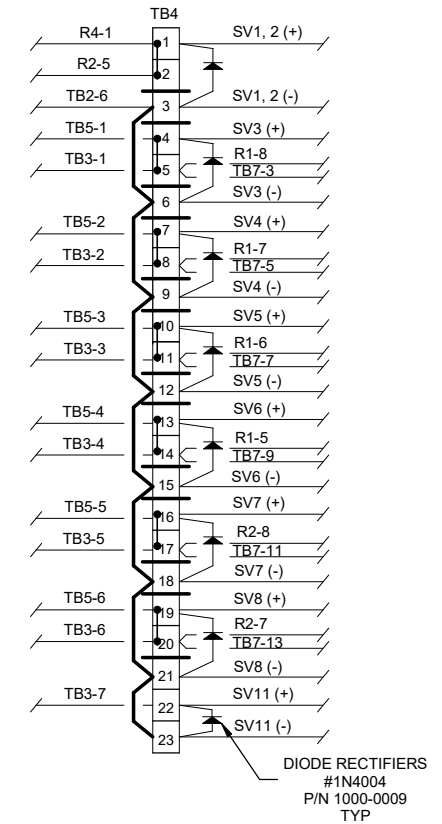
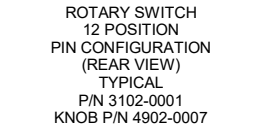
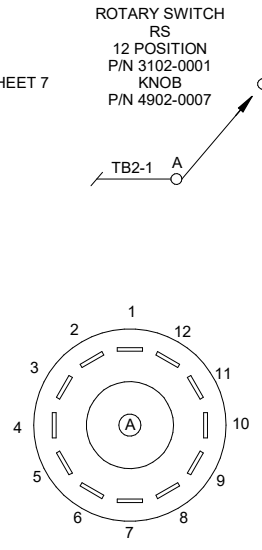
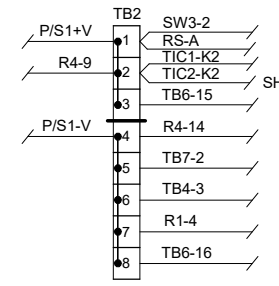
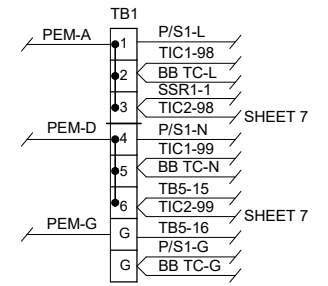
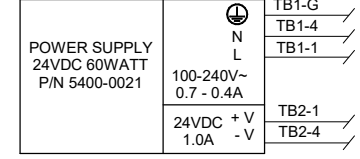
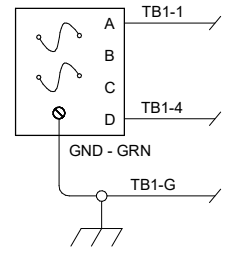
CONDUIT AND WIRING NOTES

- ELECTRICAL CLASSIFICATION : INSIDE - GENERAL PURPOSE SYSTEM IS CONFIGURED AT THE FACTORY FOR REQUIRED VOLTAGE. CONTACT FACTORY FOR VOLTAGE CHANGE REQUIREMENTS.
- AC WIRING SHALL BE INDIVIDUAL CONDUCTORS OF STRANDED TINNED COPPER WITH 300V, TYPE TFE INSULATION. MINIMUM WIRE SIZE SHALL BE 18 AWG UNLESS OTHERWISE SPECIFIED. COLOR CODE SHALL BE AS FOLLOWS:
115VAC/230VAC
HOT - BLACK
NEUTRAL - WHITE
- CHASSIS GROUND MINIMUM WIRE SIZE IS 14AWG GREEN / YELLOW WIRE.
- DC WIRING SHALL BE INDIVIDUAL CONDUCTORS OF STRANDED TINNED COPPER WITH 300V, TYPE TFE INSULATION. MINIMUM WIRE SIZE SHALL BE 22 AWG UNLESS OTHERWISE SPECIFIED. COLOR CODE SHALL BE AS FOLLOWS:
115VAC/230VAC
+V - RED
0V - BLUE

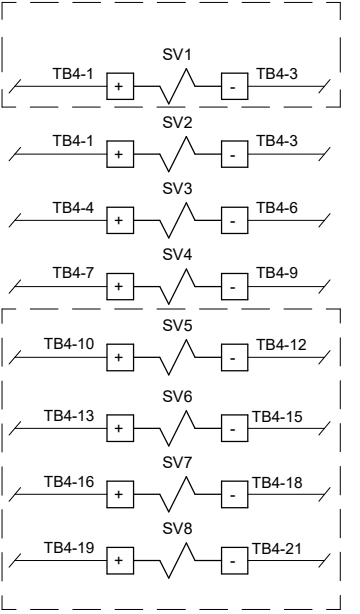


5200 Convoir Drive Carson City, NV 89706 PH(775)883-2500 FAX (775)883-6388		L	12/10/19	UPDATED TO MAX 6 CAL GASES	CS	DW
		REV	DATE	DESCRIPTION	DWN	APVD
		<p>115/230VAC MANUAL BLOWBACK BBM(115/230) SCHEMATIC</p>				
PART NO.	FOR	DATE	SCALE	SIZE	SHEET	
NOT ISSUED	728 DCD	01/18/2007	NONE	D	4 OF 7	
		DRAWN BY	R. Wells	ECO#	DRAWING NO.	
		APVD BY	G. Evans	3305	P1144	

PEM POWER INPUT
120/230 VAC 100 WATTS
(2) 6-AMP S.B. FUSE
FUSE P/N: 3010-0005

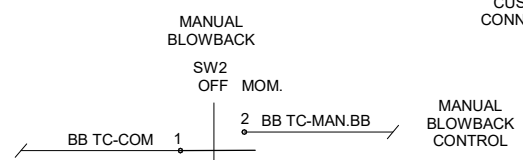
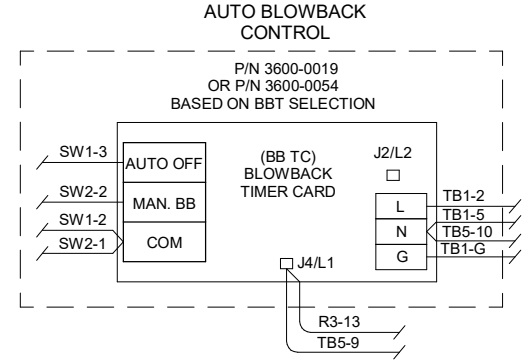
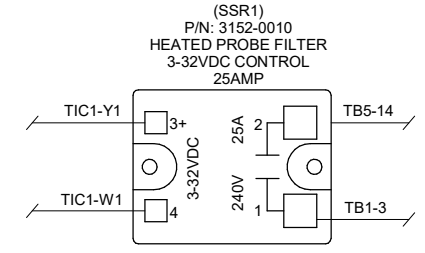
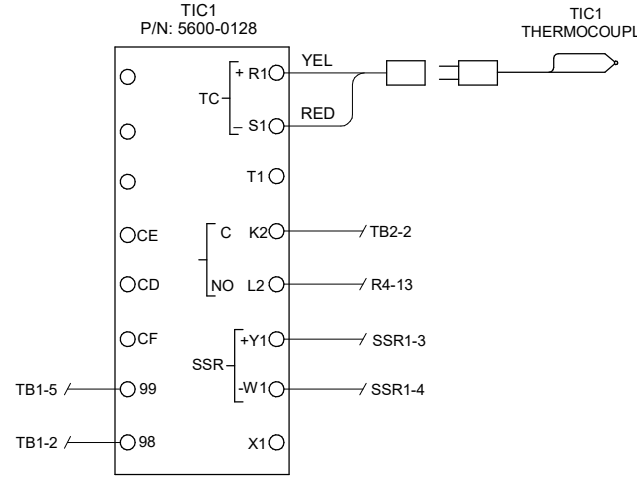


(OPTIONAL)
FAST-LOOP BYPASS

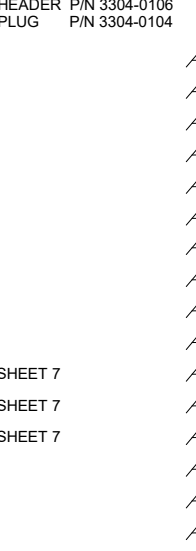
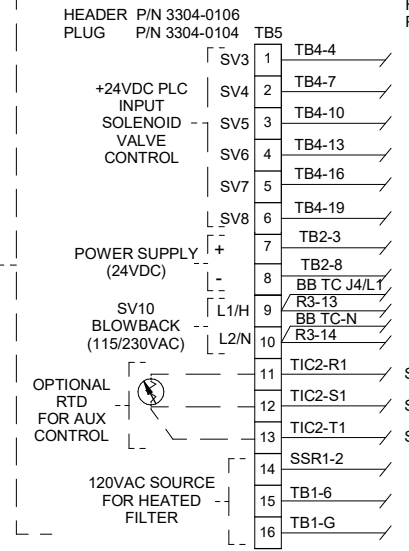


(OPTIONAL)
OF CAL GASES

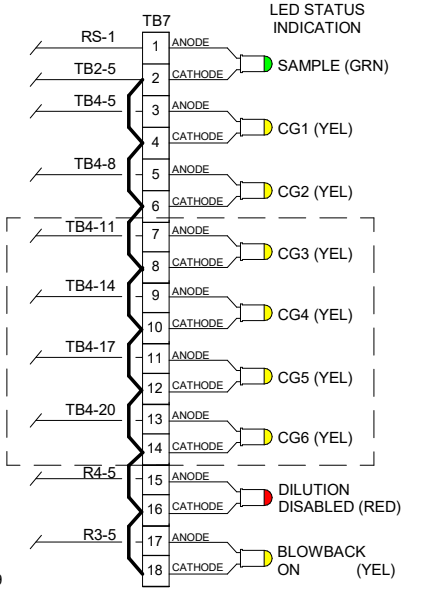
(OPTIONAL)
HEATED FILTER
CONTROL



CUSTOMER CONNECTIONS



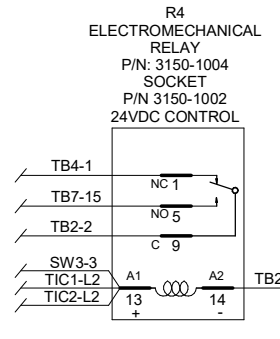
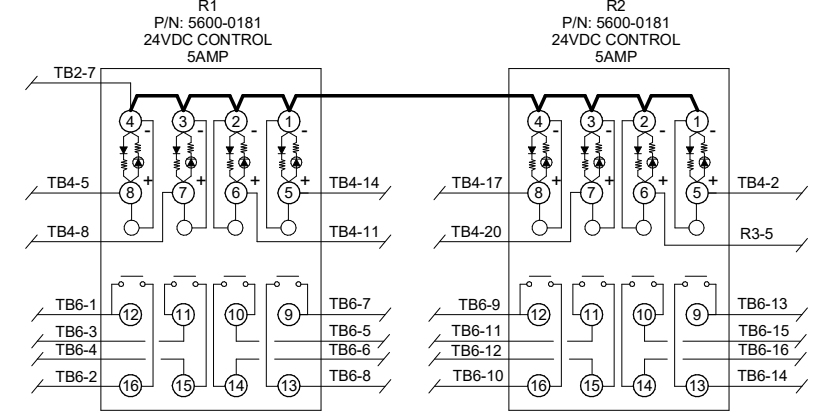
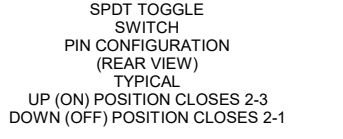
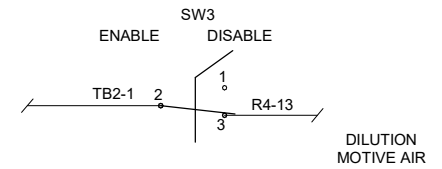
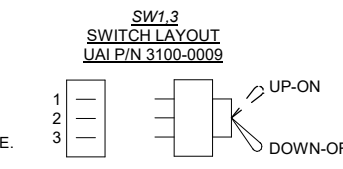
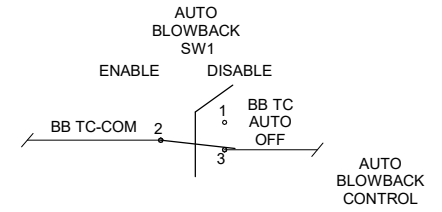
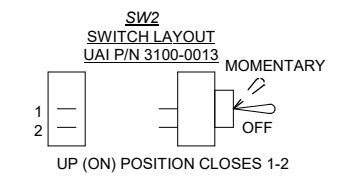
STATUS OUTPUTS
(DRY CONTACTS)



(OPTIONAL)
OF CAL GASES

CONDUIT AND WIRING NOTES

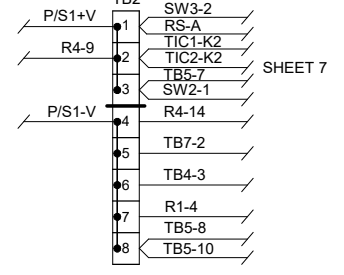
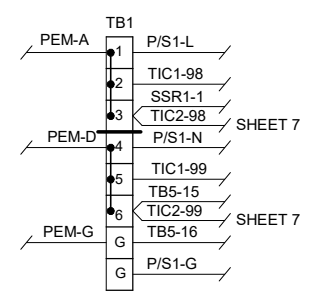
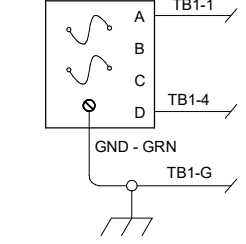
- ELECTRICAL CLASSIFICATION : INSIDE - GENERAL PURPOSE SYSTEM IS CONFIGURED AT THE FACTORY FOR REQUIRED VOLTAGE. CONTACT FACTORY FOR VOLTAGE CHANGE REQUIREMENTS.
- AC WIRING SHALL BE INDIVIDUAL CONDUCTORS OF STRANDED TINNED COPPER WITH 300V, TYPE TFE INSULATION. MINIMUM WIRE SIZE SHALL BE 18 AWG UNLESS OTHERWISE SPECIFIED. COLOR CODE SHALL BE AS FOLLOWS:
115VAC/230VAC
HOT - BLACK
NEUTRAL - WHITE
- CHASSIS GROUND MINIMUM WIRE SIZE IS 14AWG GREEN / YELLOW WIRE.
- DC WIRING SHALL BE INDIVIDUAL CONDUCTORS OF STRANDED TINNED COPPER WITH 300V, TYPE TFE INSULATION. MINIMUM WIRE SIZE SHALL BE 22 AWG UNLESS OTHERWISE SPECIFIED. COLOR CODE SHALL BE AS FOLLOWS:
115VAC/230VAC
+V - RED
0V - BLUE



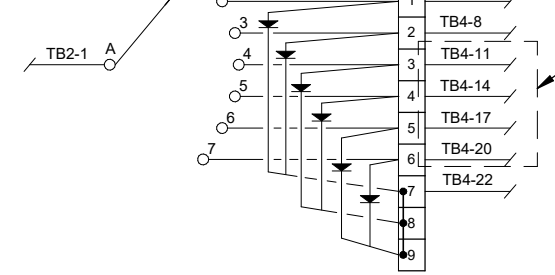
				L	12/10/19	UPDATED TO MAX 6 CAL GASES	CS	DW
115/230VAC BLOWBACK TIMER BBT(115/230) SCHEMATIC		REVISIONS		REV	DATE	DESCRIPTION	DWN	APVD
PART NO. NOT ISSUED		FOR 728 DCD		DATE 01/18/2007		SCALE NONE	SIZE D	SHEET 5 OF 7
DRAWN BY R. Wells		ECO# 3305		APVD BY G. Evans		DRAWING NO. P1144		

FIELD TO WIRE

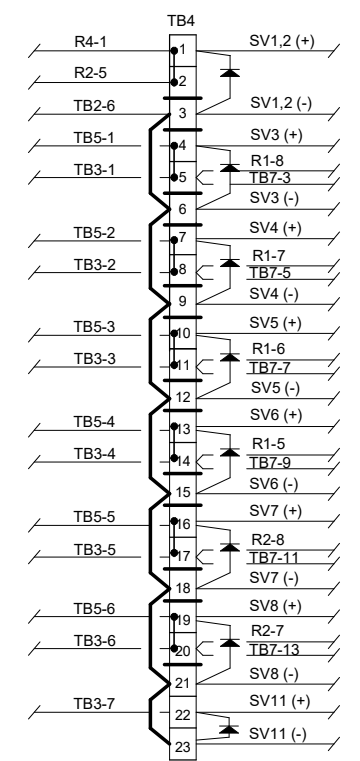
PEM POWER INPUT
120/230 VAC 100 WATTS
(2) 6-AMP S.B. FUSE
FUSE P/N: 3010-0005



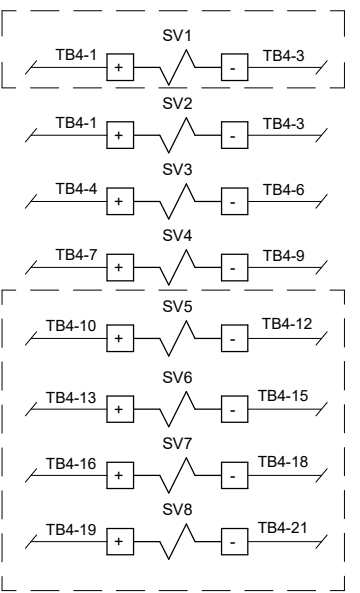
ROTARY SWITCH
RS
12 POSITION
P/N 3102-0001
KNOB
P/N 4902-0007



(OPTIONAL)
OF CAL GASES



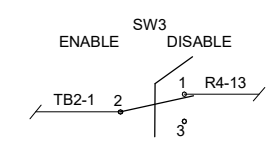
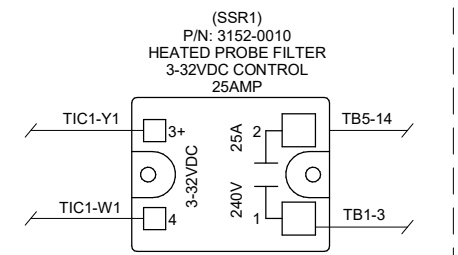
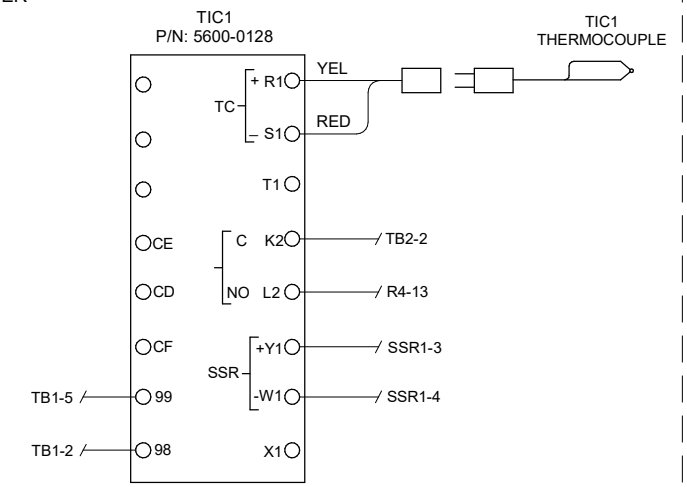
(OPTIONAL)
FAST-LOOP BYPASS



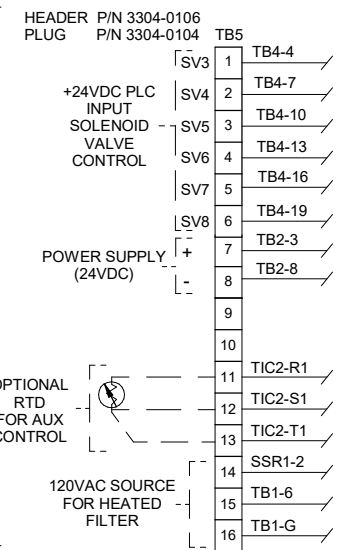
(OPTIONAL)
OF CAL GASES

POWER SUPPLY 24VDC 60WATT P/N 5400-0021	N	TB1-G
	L	TB1-4
	L	TB1-1
	+V	TB2-1
	-V	TB2-4

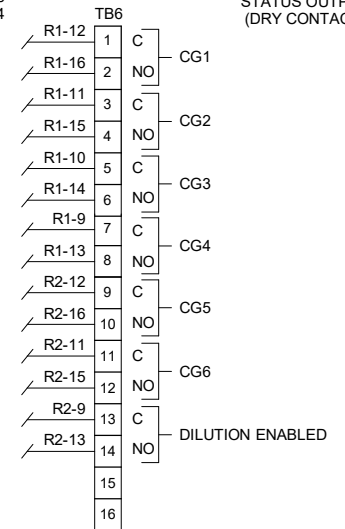
(OPTIONAL)
HEATED FILTER
CONTROL



CUSTOMER CONNECTIONS

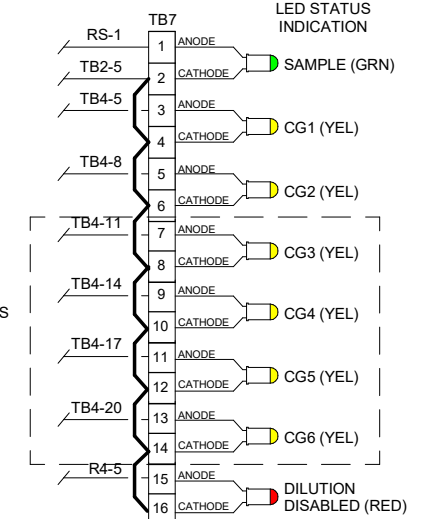


HEADER P/N 3304-0106
PLUG P/N 3304-0104



STATUS OUTPUTS
(DRY CONTACTS)

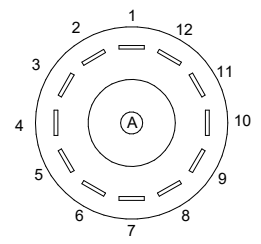
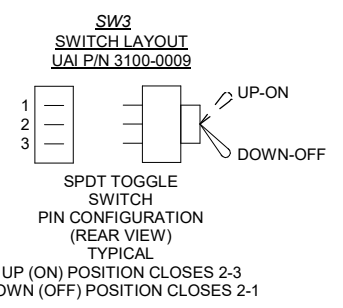
(OPTIONAL)
OF CAL GASES



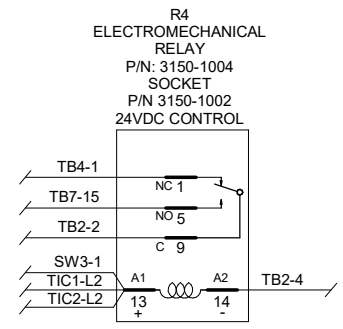
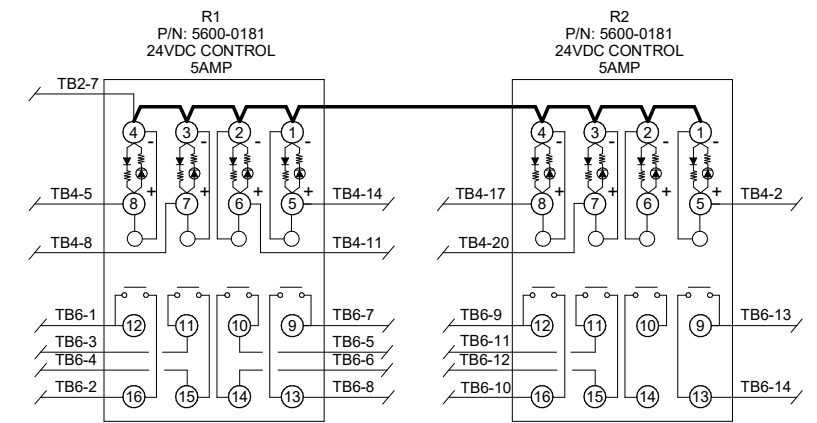
GREEN LED P/N 1200-0007
YELLOW LED P/N 1200-0008
RED P/N 1200-0009

CONDUIT AND WIRING NOTES

- ELECTRICAL CLASSIFICATION : INSIDE - GENERAL PURPOSE SYSTEM IS CONFIGURED AT THE FACTORY FOR REQUIRED VOLTAGE. CONTACT FACTORY FOR VOLTAGE CHANGE REQUIREMENTS.
- AC WIRING SHALL BE INDIVIDUAL CONDUCTORS OF STRANDED TINNED COPPER WITH 300V, TYPE TFE INSULATION. MINIMUM WIRE SIZE SHALL BE 18 AWG UNLESS OTHERWISE SPECIFIED. COLOR CODE SHALL BE AS FOLLOWS:
115VAC/230VAC
HOT - BLACK
NEUTRAL - WHITE
- CHASSIS GROUND MINIMUM WIRE SIZE IS 14AWG GREEN / YELLOW WIRE.
- DC WIRING SHALL BE INDIVIDUAL CONDUCTORS OF STRANDED TINNED COPPER WITH 300V, TYPE TFE INSULATION. MINIMUM WIRE SIZE SHALL BE 22 AWG UNLESS OTHERWISE SPECIFIED. COLOR CODE SHALL BE AS FOLLOWS:
115VAC/230VAC
+V - RED
0V - BLUE



ROTARY SWITCH
12 POSITION
PIN CONFIGURATION
(REAR VIEW)
TYPICAL
P/N 3102-0001
KNOB P/N 4902-0007

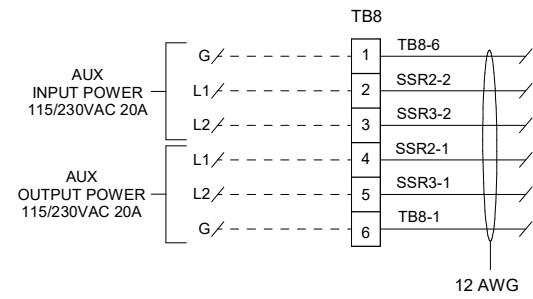


5200 Convoir Drive Carson City, NV 89706 PH(775)883-2500 FAX (775)883-6388		L	12/10/19	UPDATED TO MAX 6 CAL GASES	CS	DW
		REV	DATE	DESCRIPTION	DWN	APVD
BLOWBACK BULKHEAD OR NO BLOWBACK (BBL/NONE) SCHEMATIC		DATE		SCALE	SIZE	SHEET
PART NO.	FOR	01/18/2007	NONE	D	6	OF 7
NOT ISSUED	728 DCD	DRAWN BY	R. Wells	ECO#	DRAWING NO.	
		APVD BY	G. Evans	3305	P1144	

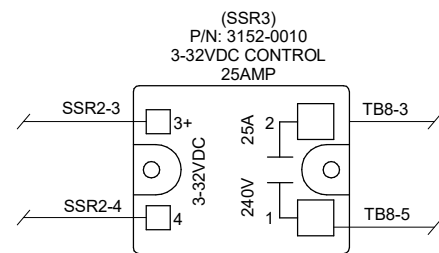
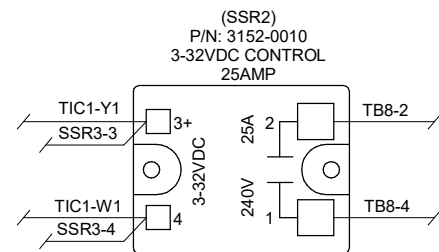
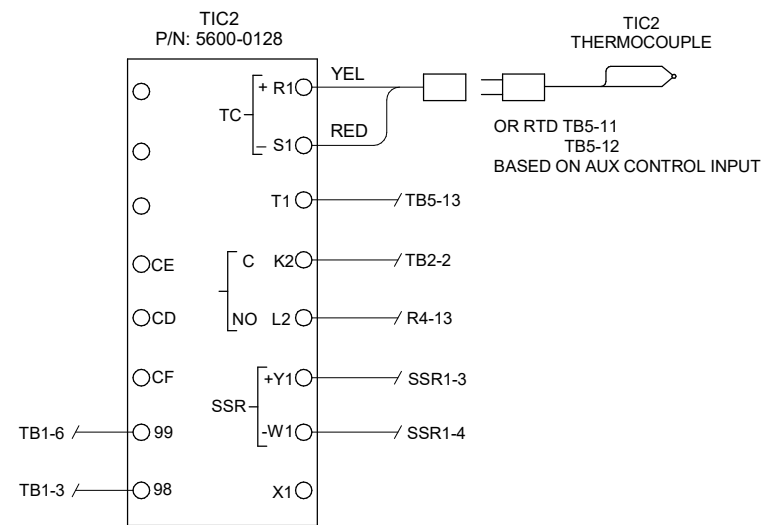
FIELD TO WIRE



115/230 VAC

HEADER: P/N 3304-1005
 PLUG: P/N 3304-1006



(OPTIONAL)
 AUX.
 CONTROL



5200 Convair Drive Carson City, NV 89706 PH(775)883-2500 FAX (775)883-6388		L	12/10/19	UPDATED TO MAX 6 CAL GASES	CS	DW
 		REV	DATE	DESCRIPTION	DWN	APVD
REVISIONS						
DILUTION CONTROLLER DRAWER SCHEMATIC		DATE	SCALE	SIZE	SHEET	
		01/18/2007	NONE	D	7 OF 7	
PART NO.	FOR	DRAWN BY		ECO#	DRAWING NO.	
NOT ISSUED	728 DCD	R. Wells		3305	P1144	
		APVD BY				
		G. Evans				