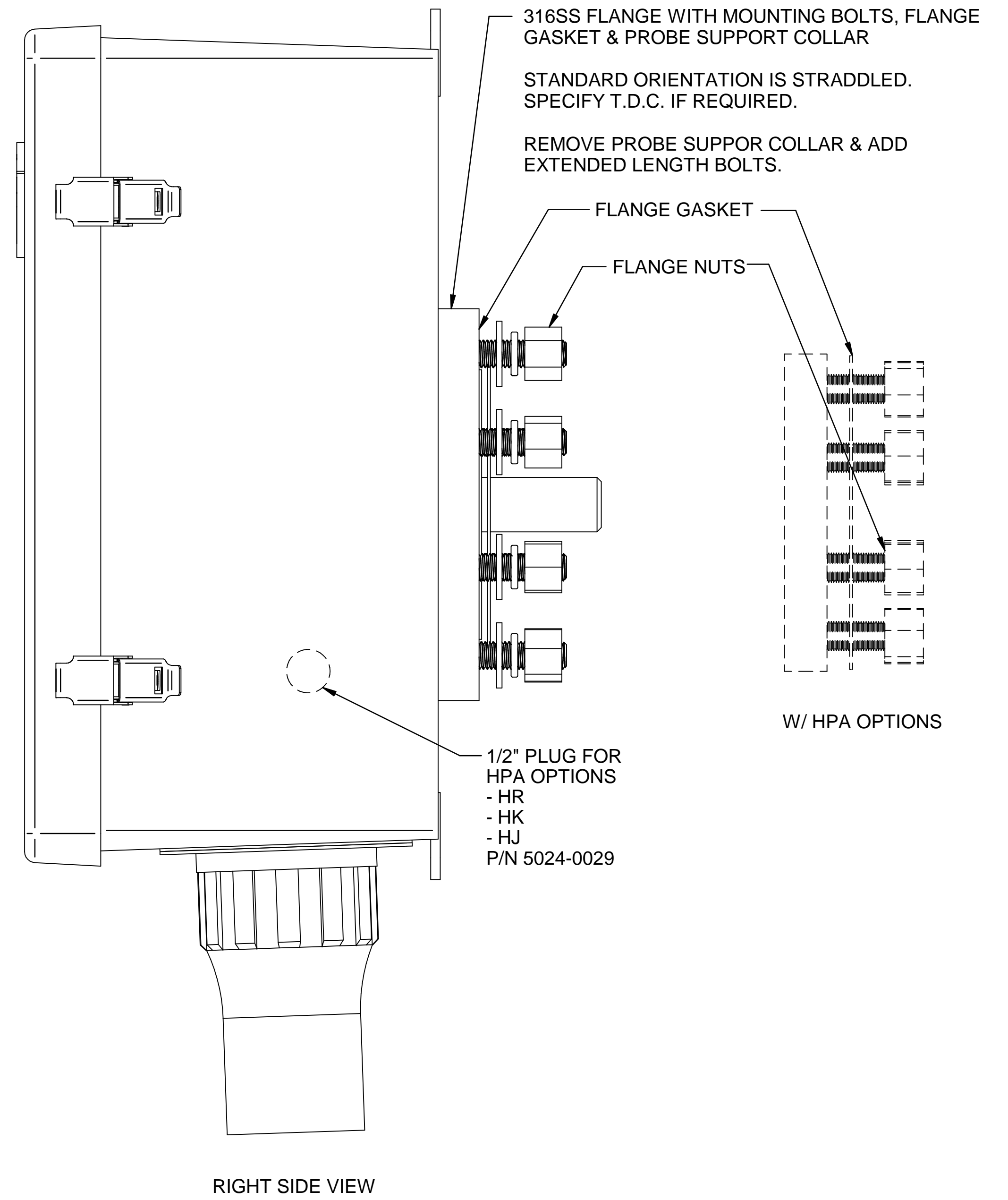
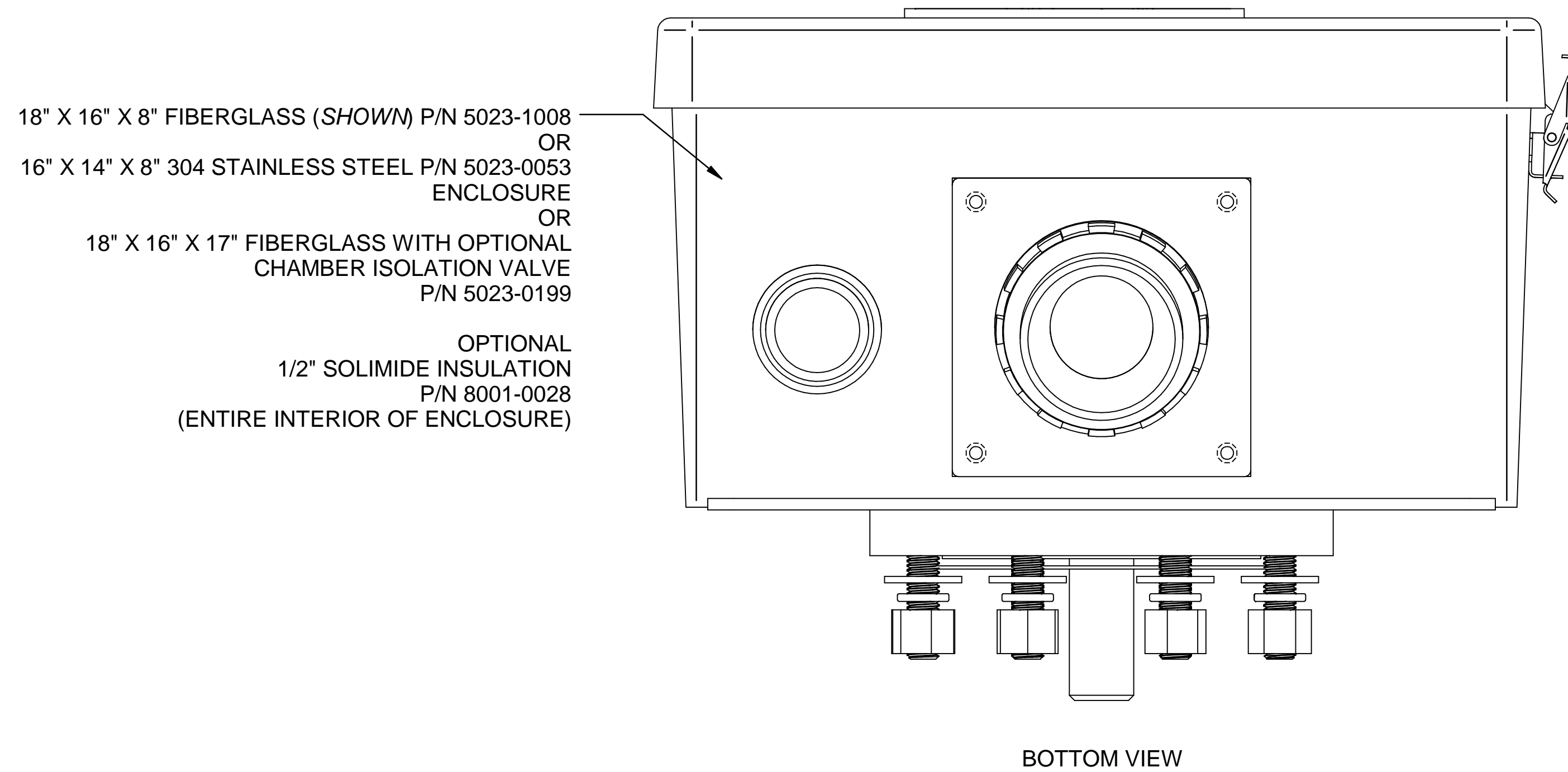


FRONT VIEW (DOOR REMOVED)



RIGHT SIDE VIEW



CONFIGURATION OPTIONS		
OPTION	DESCRIPTION	DWG.
-H -V	Z-PURGE HORIZONTAL Z-PURGE VERTICAL	P1218
-A	AMMONIA CONVERTER	P1376
-HR -HJ -HK	TERMINALS FOR HEATED PROBE ASSEMBLY	P1412
-xy	EXTENDED LENGTH PROBE TUBE SUPPORT x= LENGTH (2 - 5FT.) y= MATERIAL (S= 316SS) (C= C276) (T= 310SS)	P1445

Web Doc

5200 Convair Drive Carson City, NV 89706 PH(775)883-2500 FAX (775)883-6388		K.2 12/03/20 REMOVE TS 375°F AND 550°F ON BV1		NCU	GE
UNIVERSAL Analyzers Inc. AMETEK		REV	DATE	DESCRIPTION	
MODEL 270SF W/ TIMED HEATED BLOWBACK LAYOUT					
PART NO.		FOR		DATE	SHEET
270SF		INSTRUMENT		06/23/2006	1 OF 7
DRAWN BY		SCALE		SIZE	DRAWING NO.
APVD BY		NTS		D	P1083
R. Wells		ECO#			
G. Evans					

GASKET - 2" SUBFLANGE
P/N 4903-1002

SUBFLANGE - MODEL 270SF
WITH PROBE SUPPORT COLLAR
316SS P/N 5150-0230
C-276 P/N 5150-0277

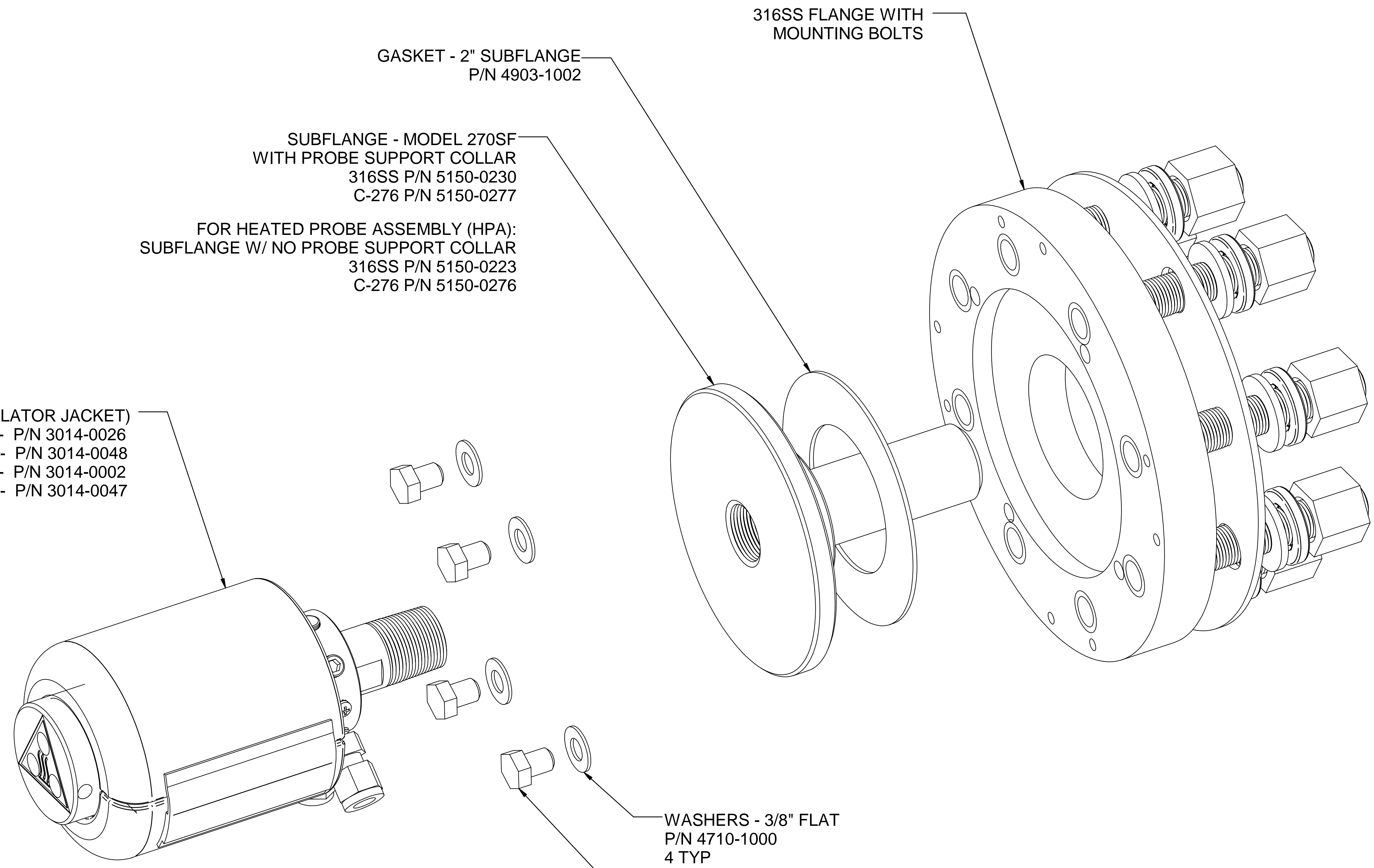
FOR HEATED PROBE ASSEMBLY (HPA):
SUBFLANGE W/ NO PROBE SUPPORT COLLAR
316SS P/N 5150-0223
C-276 P/N 5150-0276

316SS FLANGE WITH
MOUNTING BOLTS

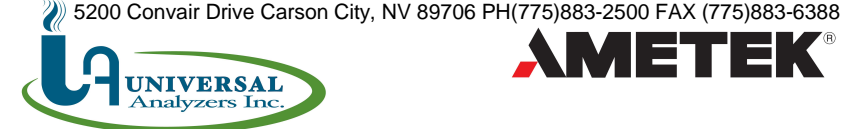
OVEN ASSEMBLY (UNDER INSULATOR JACKET)
LOW TEMP ALARM SWITCH OPENS ON ALARM - P/N 3014-0026
LOW TEMP ALARM SWITCH OPENS ON ALARM - FM - P/N 3014-0048
LOW TEMP ALARM SWITCH CLOSSES ON ALARM - P/N 3014-0002
LOW TEMP ALARM SWITCH CLOSSES ON ALARM - FM - P/N 3014-0047

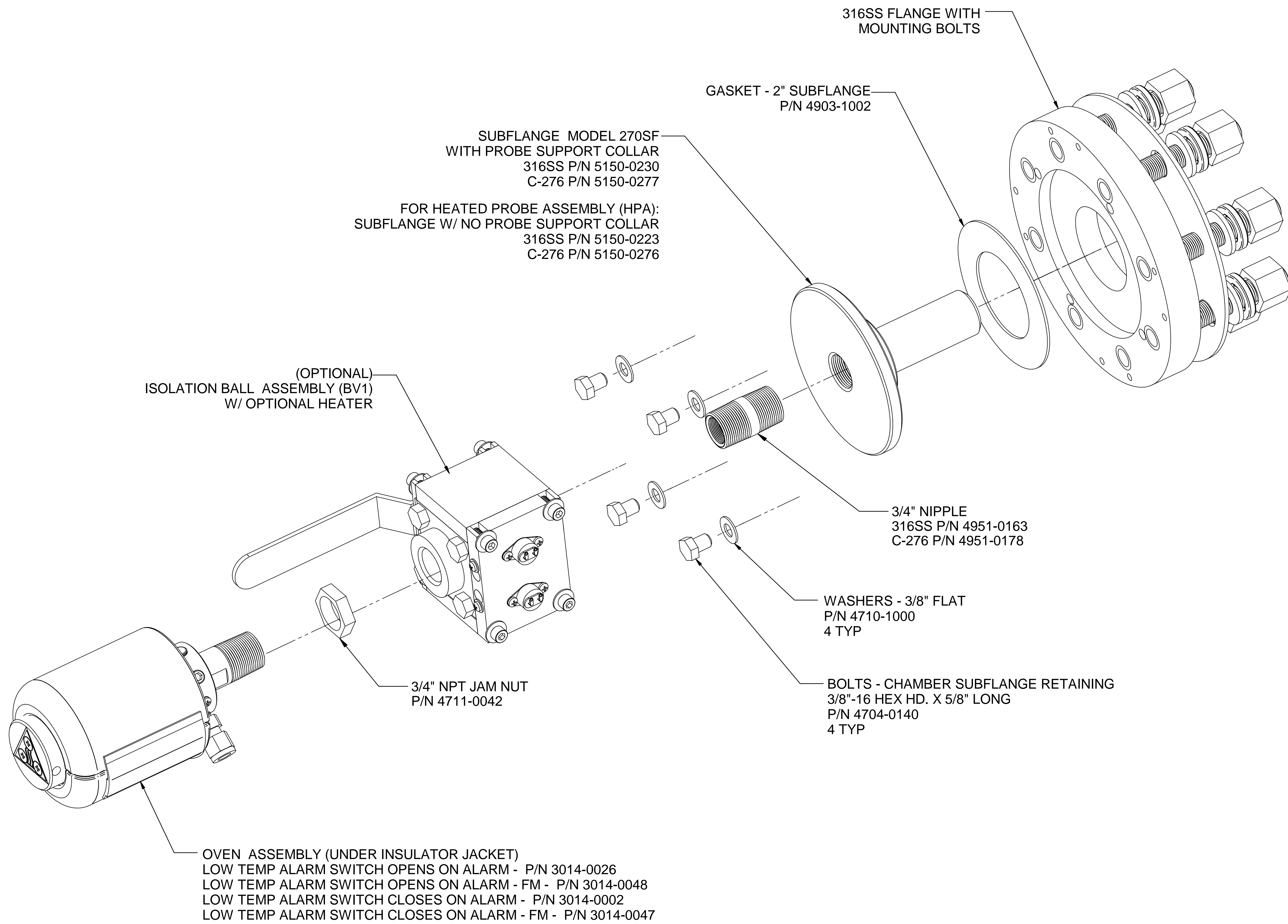
WASHERS - 3/8" FLAT
P/N 4710-1000
4 TYP

BOLTS - CHAMBER SUBFLANGE RETAINING
3/8"-16 HEX HD. X 5/8" LONG
P/N 4704-0140
4 TYP



Web Doc

		5200 Convair Drive Carson City, NV 89706 PH(775)883-2500 FAX (775)883-6388		K.2	12/03/20	REMOVE TS 375°F AND 550°F ON BV1	NCU	GE
REV	DATE	DESCRIPTION		DWN		APVD		
REVISIONS								
MODEL 270SF W/ TIMED HEATED BLOWBACK FLANGE ASSEMBLY		DATE	SCALE	SIZE	SHEET			
		06/23/2006	NTS	D	2 OF 7			
PART NO.	FOR	DRAWN BY	ECO#	DRAWING NO.				
270SF	INSTRUMENT	R. Wells	-	P1083				
		APVD BY						
		G. Evans						



(OPTIONAL)
ISOLATION BALL ASSEMBLY (BV1)
W/ OPTIONAL HEATER

SUBFLANGE MODEL 270SF
WITH PROBE SUPPORT COLLAR
316SS P/N 5150-0230
C-276 P/N 5150-0277

FOR HEATED PROBE ASSEMBLY (HPA):
SUBFLANGE W/ NO PROBE SUPPORT COLLAR
316SS P/N 5150-0223
C-276 P/N 5150-0276

316SS FLANGE WITH
MOUNTING BOLTS

GASKET - 2" SUBFLANGE
P/N 4903-1002

3/4" NIPPLE
316SS P/N 4951-0163
C-276 P/N 4951-0178



WASHERS - 3/8" FLAT
P/N 4710-1000
4 TYP

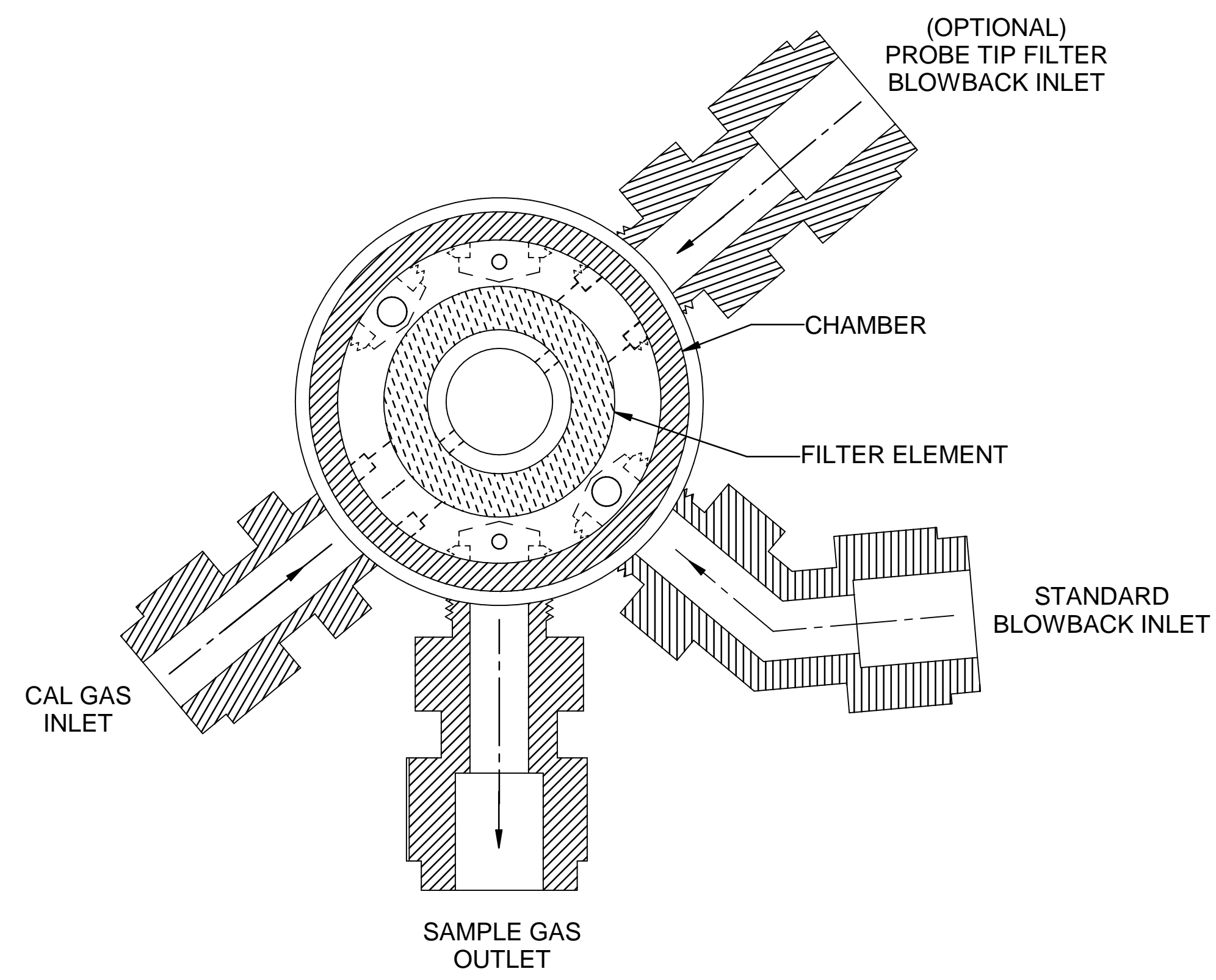
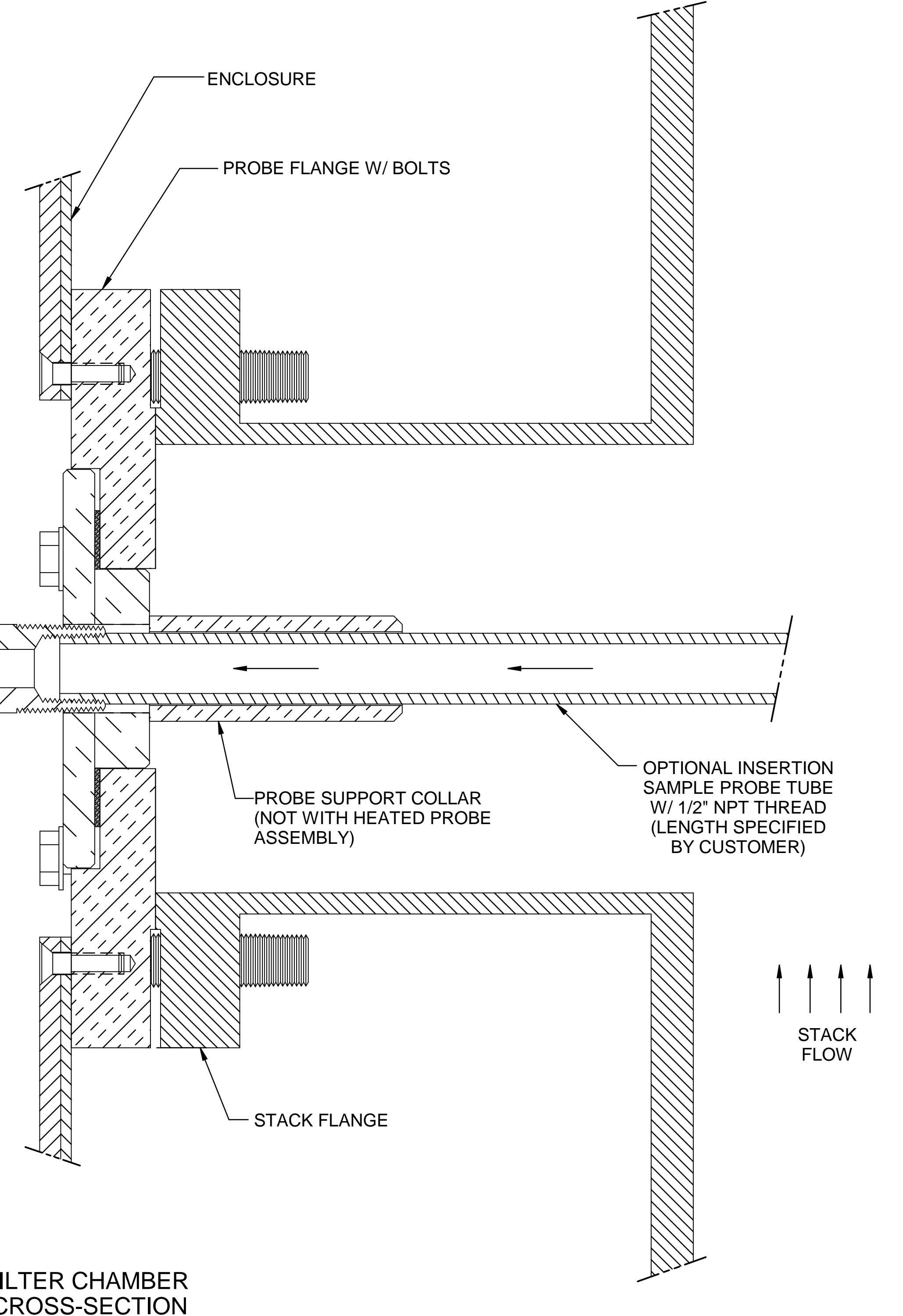
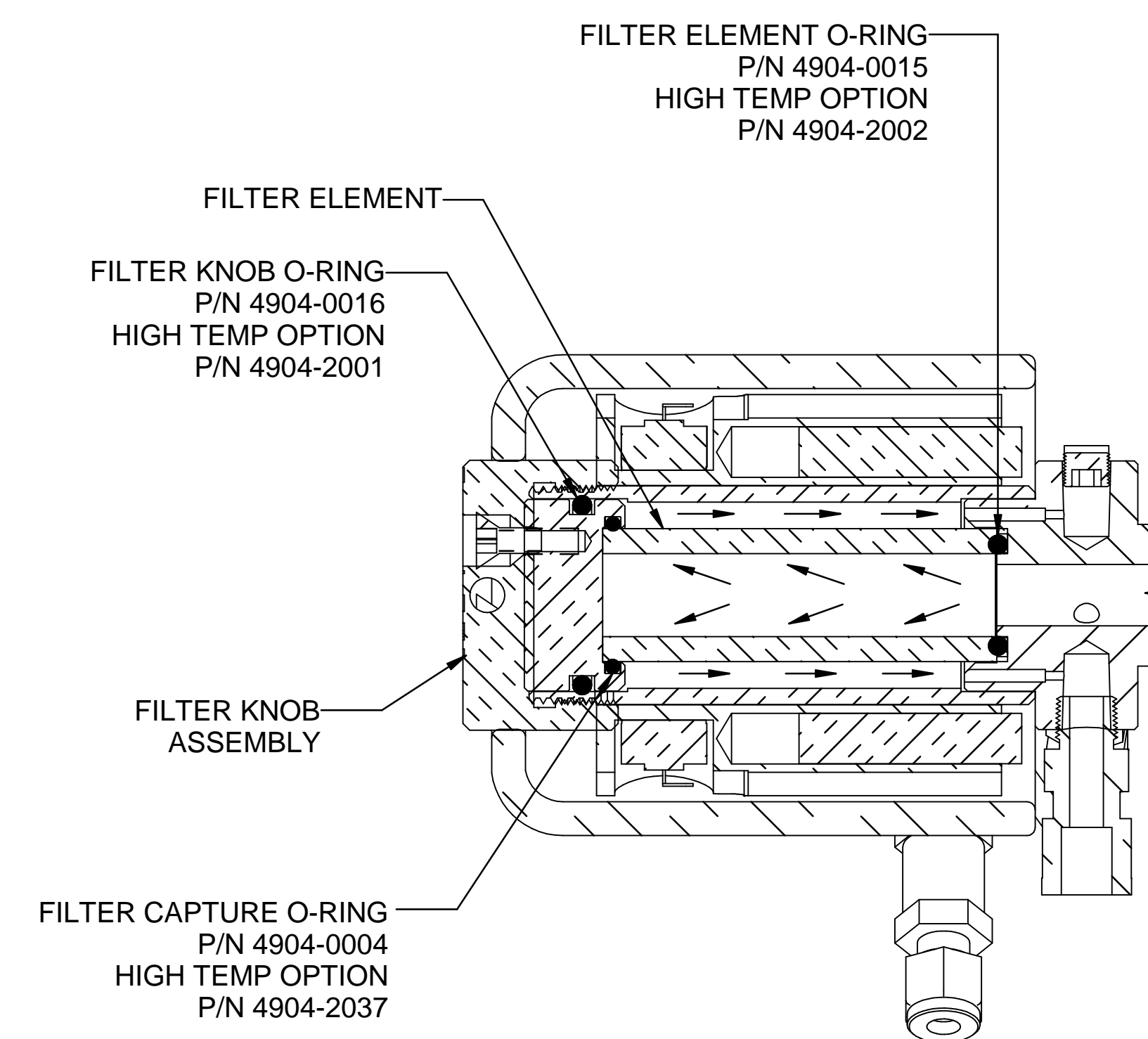
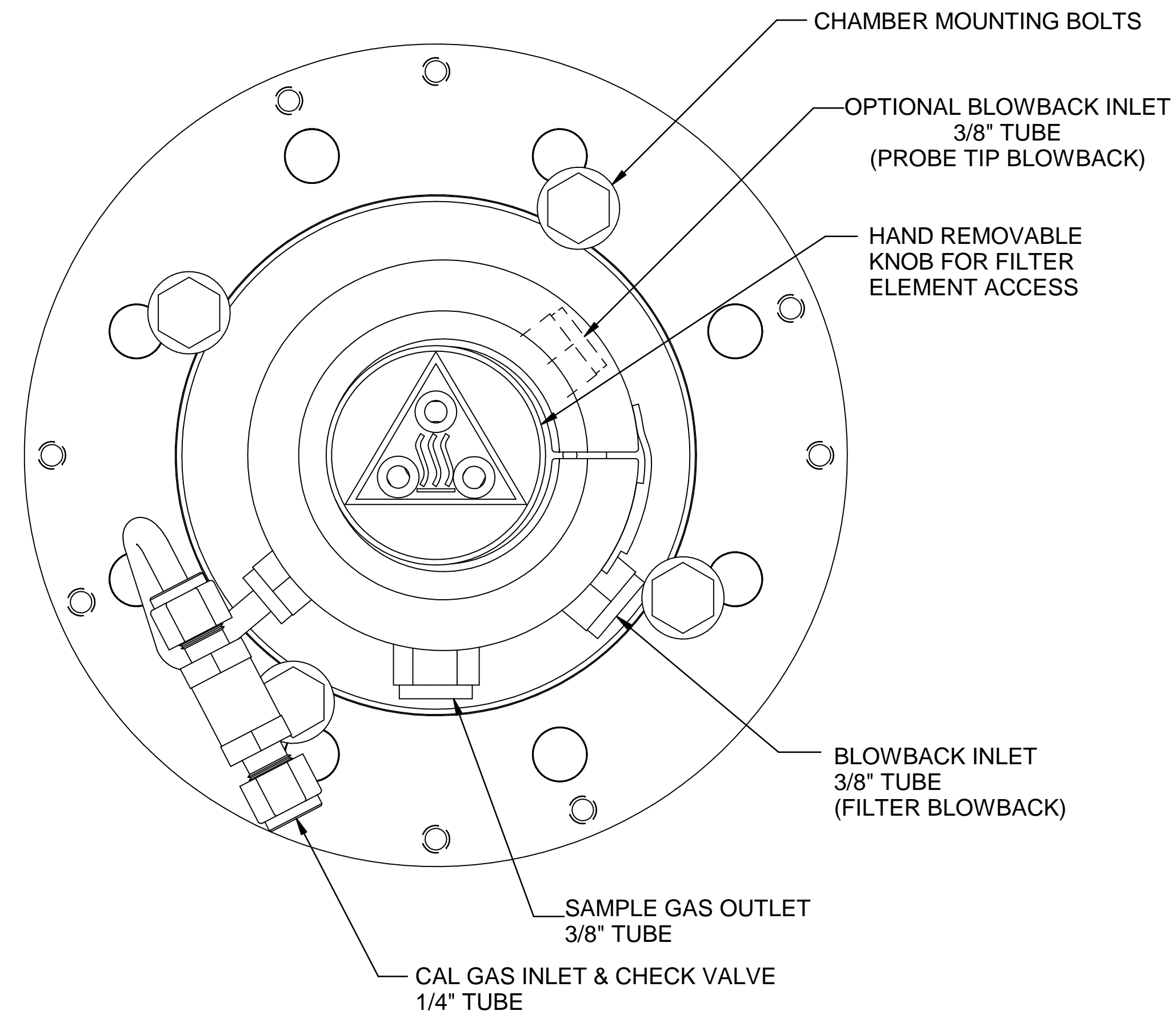
BOLTS - CHAMBER SUBFLANGE RETAINING
3/8"-16 HEX HD. X 5/8" LONG
P/N 4704-0140
4 TYP

3/4" NPT JAM NUT
P/N 4711-0042

OVEN ASSEMBLY (UNDER INSULATOR JACKET)
LOW TEMP ALARM SWITCH OPENS ON ALARM - P/N 3014-0026
LOW TEMP ALARM SWITCH OPENS ON ALARM - FM - P/N 3014-0048
LOW TEMP ALARM SWITCH CLOSES ON ALARM - P/N 3014-0002
LOW TEMP ALARM SWITCH CLOSES ON ALARM - FM - P/N 3014-0047

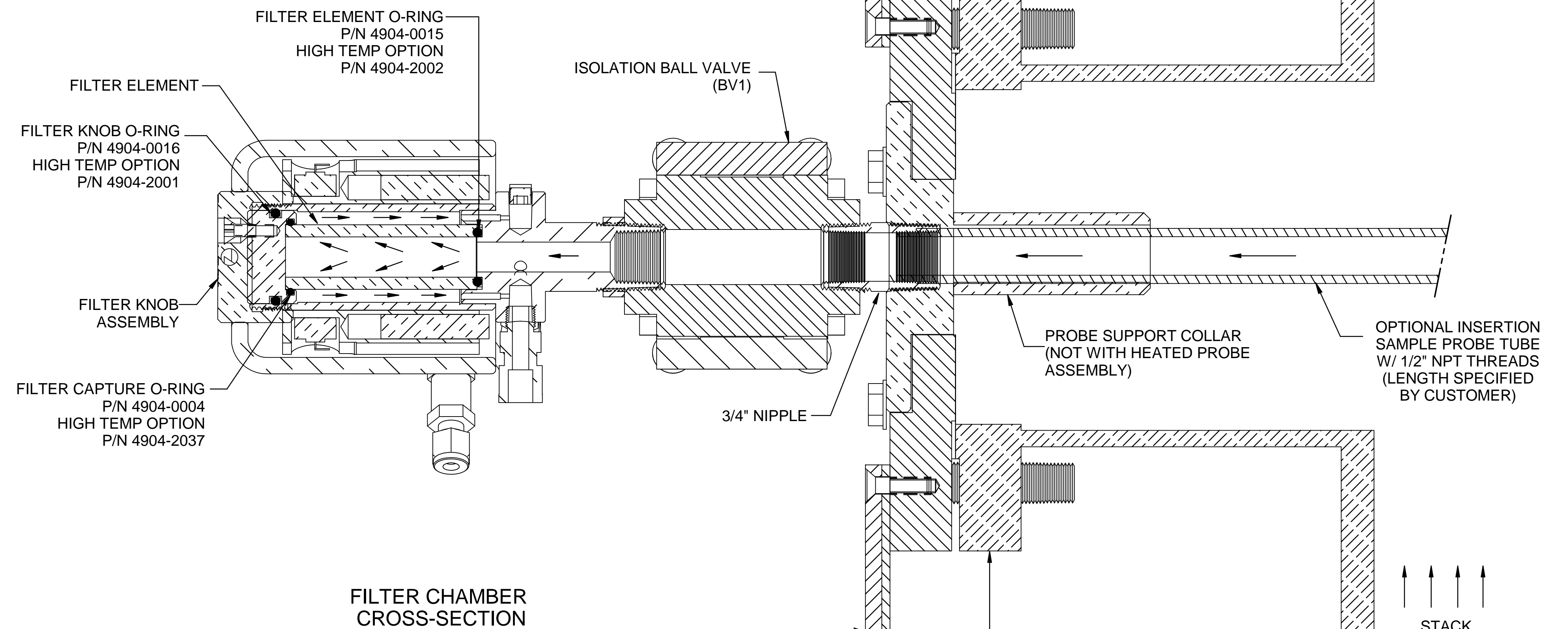
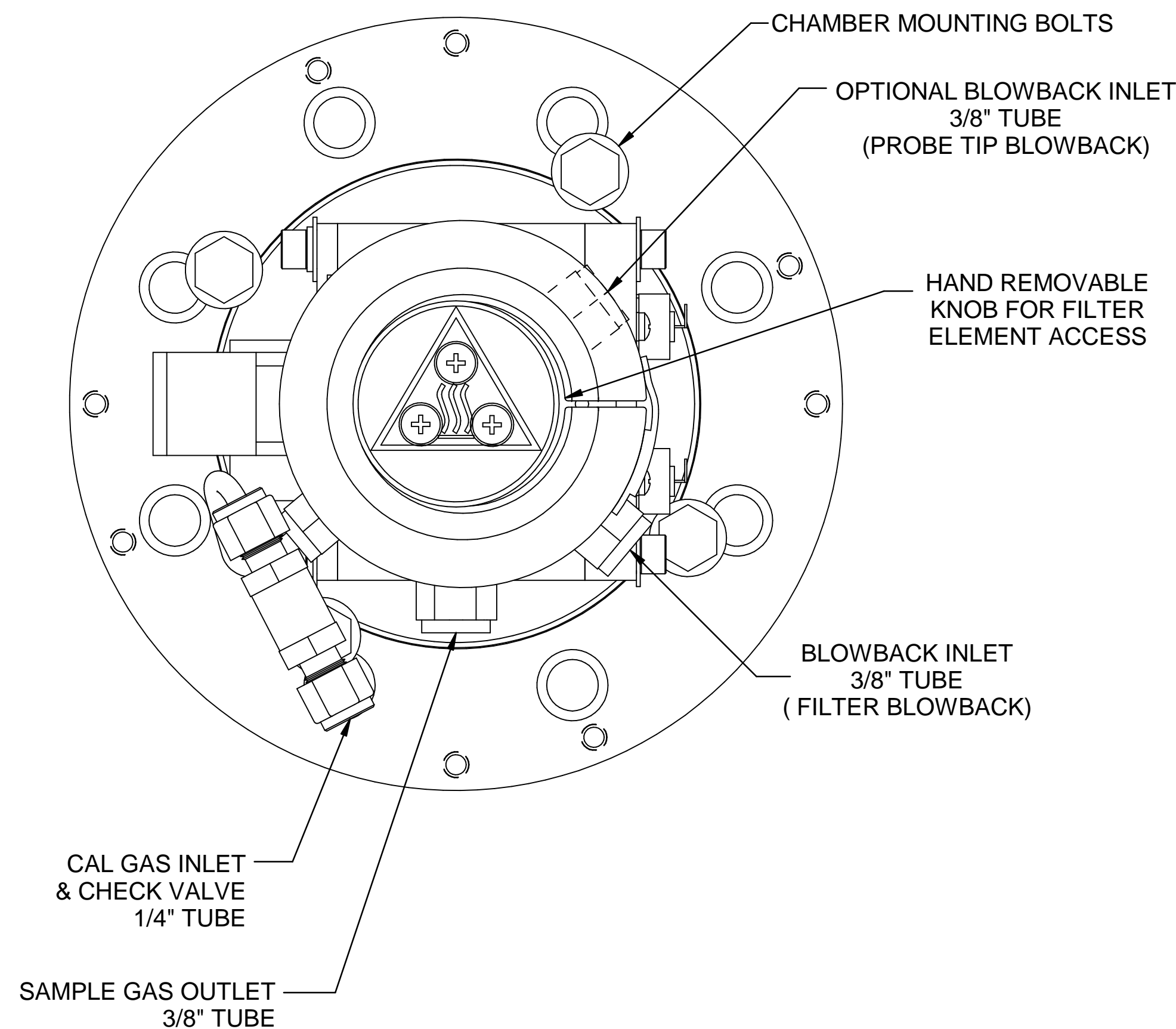
Web Doc

 		5200 Convair Drive Carson City, NV 89706 PH(775)883-2500 FAX (775)883-6388	
REV	DATE	DESCRIPTION	DWN/APVD
K.2	12/03/20	REMOVE TS 375°F AND 550°F ON BV1	NCU GE
REVISIONS			
MODEL 270SF W/ TIMED HEATED BLOWBACK FLANGE ASSEMBLY		DATE	SHEET
		06/23/2006	3 OF 7
PART NO.	FOR	DRAWN BY	DRAWING NO.
270SF	INSTRUMENT	R. Wells	P1083
		APVD BY	ECO#
		G. Evans	-

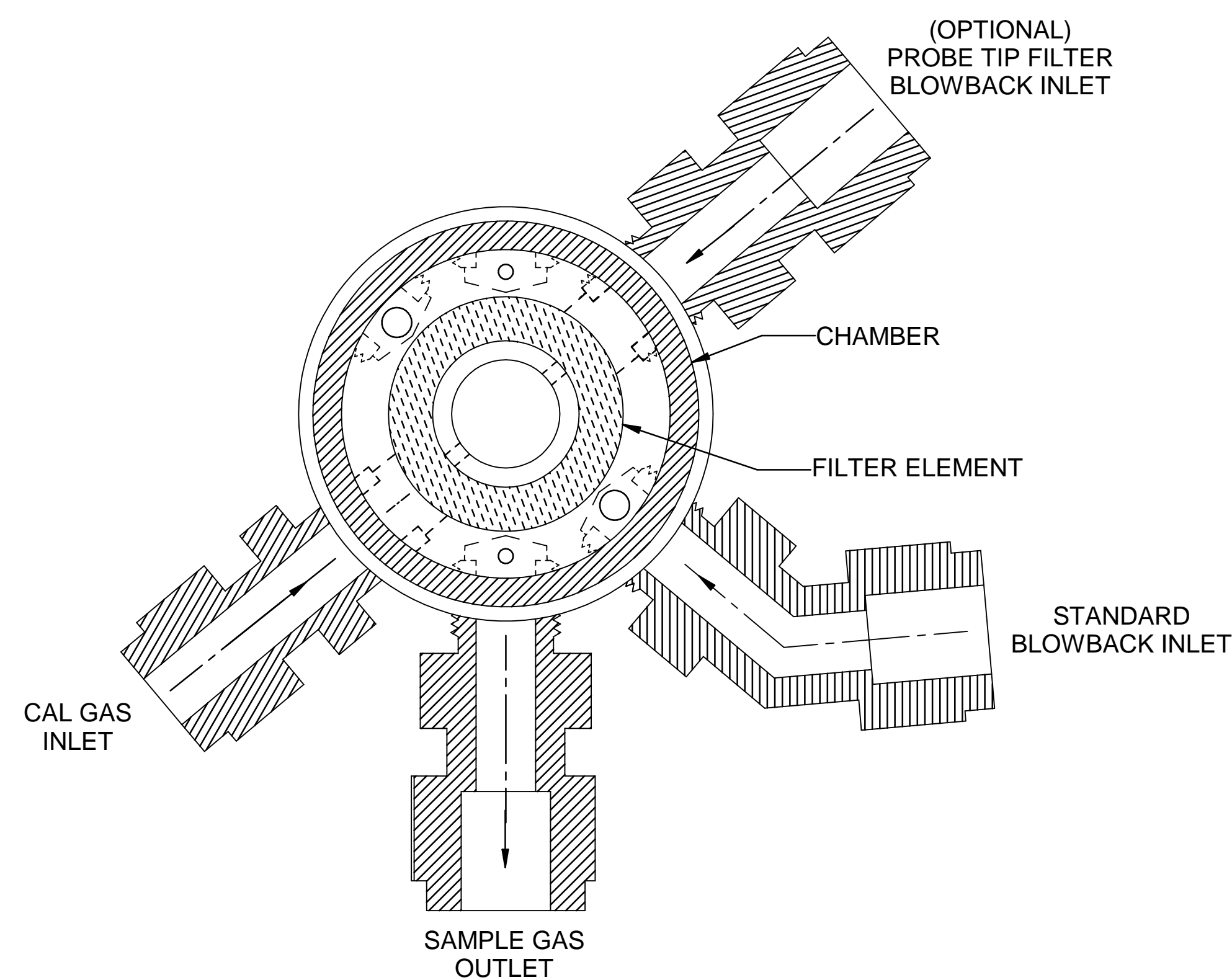


Web Doc

5200 Convair Drive Carson City, NV 89706 PH(775)883-2500 FAX (775)883-6388		K.2	12/03/20	REMOVE TS 375°F AND 550°F ON BV1	NCU	GE
UNIVERSAL Analyzers Inc. AMETEK		REV	DATE	DESCRIPTION	DWN/APVD	
REVISIONS						
MODEL 270SF W/ TIMED HEATED BLOWBACK FILTER CHAMBER CROSS-SECTION		DATE	SCALE	SIZE	SHEET	
PART NO.		FOR	DRAWN BY	ECO#	DRAWING NO.	
270SF		INSTRUMENT	R. Wells	-	4 OF 7 P1083	
		APVD BY	G. Evans			



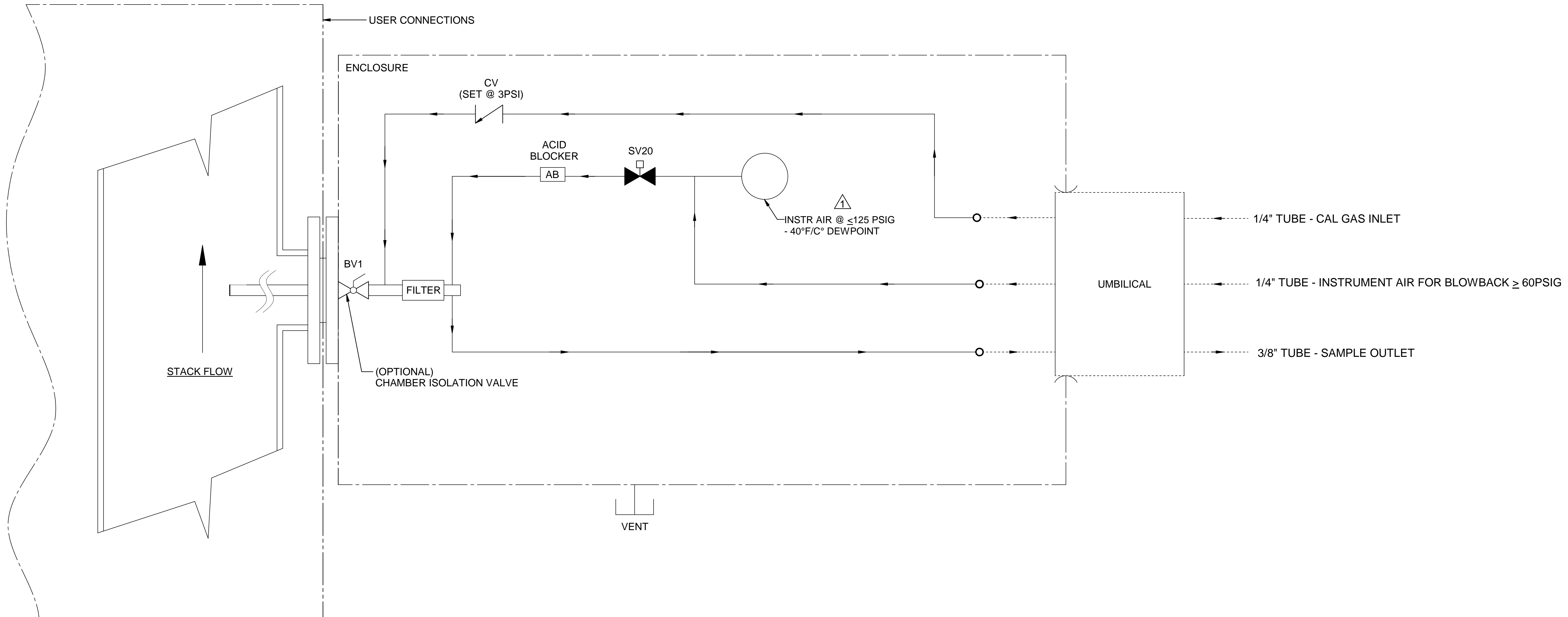
FILTER CHAMBER
CROSS-SECTION



INTERNAL PORTING CONFIGURATION

Web Doc

5200 Convair Drive Carson City, NV 89706 PH(775)883-2500 FAX (775)883-6388		K.2 12/03/20 REMOVE TS 375°F AND 550°F ON BV1		NCU	GE
UNIVERSAL Analyzers Inc. AMETEK		REV	DATE	DESCRIPTION	
MODEL 270SF W/ TIMED HEATED BLOWBACK FILTER CHAMBER CROSS-SECTION		DATE	SCALE	SIZE	SHEET
PART NO.	FOR	DRAWN BY	ECO#	DRAWING NO.	
270SF	INSTRUMENT	R. Wells	-	P1083	
		APVD BY	G. Evans		

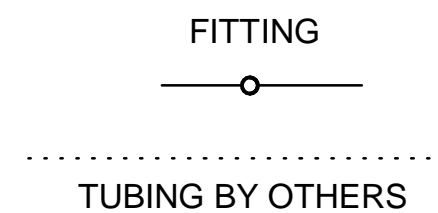


NOTES:

1 SEE A0562 FOR HEATED ACCUMULATOR ASSEMBLY.

ITEM	QTY	DESCRIPTION	UAI PART NO.
AB	1	ACID BLOCKER	5110-0015
ACC	1	ACCUMULATOR, 8"	4956-0009
BV1	1	VALVE, BALL 3/4" NPT FOR SFU, SFV CONFIGURATIONS	4955-1042-SW
BV1	1	VALVE, BALL 3/4" FOR NFU, NFV CONFIGURATIONS	4955-1042-SW-SN
BV1	1	VALVE, BALL 3/4" FOR SHFU, SHFV CONFIGURATIONS	4955-0269
BV1	1	VALVE, BALL 3/4" FOR NHFU, NHFV CONFIGURATIONS	4955-0269-SN
BV1	1	VALVE, BALL 3/4" FOR CFU, CFV CONFIGURATIONS	4955-1058-SW
BV1	1	VALVE, BALL 3/4" FOR CHFU, CHFV CONFIGURATIONS	4955-1061-SW
CV	1	CHECK VALVE, 1/4" TUBE, 3 PSIG	4955-0148
SV20	1	VALVE, SOLENOID, 2-WAY, 115 VAC	4955-0002
SV20	1	VALVE, SOLENOID, 2-WAY, 230 VAC	4955-0005

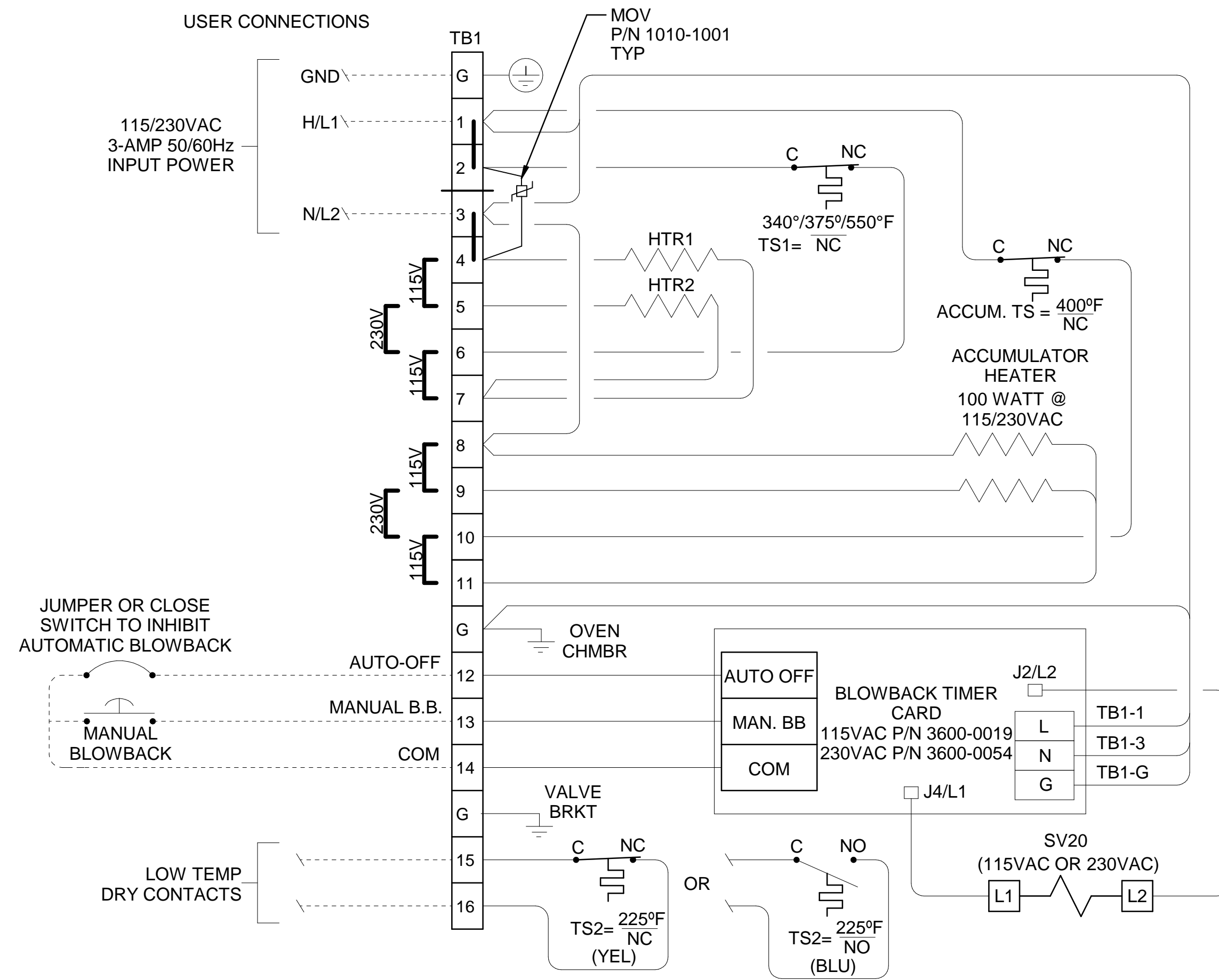
LEGEND



Web Doc

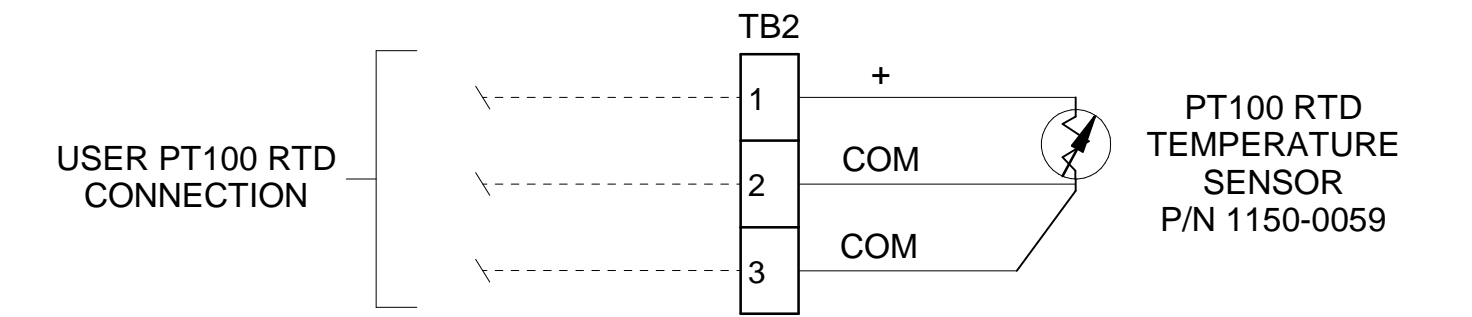
		K.2	12/03/20	REMOVE TS 375°F AND 550°F ON BV1	NCU	GE
REV	DATE	DESCRIPTION		DWN	APVD	
MODEL 270SF W/ TIMED HEATED BLOWBACK P&ID						
PART NO.		FOR		DATE	SCALE	SIZE
270SF		INSTRUMENT		06/23/2006	NTS	D
DRAWN BY		ECO#		SHEET		DRAWING NO.
APVD BY		-		6 OF 7		P1083
R. Wells						
G. Evans						

THERMAL SWITCH TEMPERATURE CONTROL

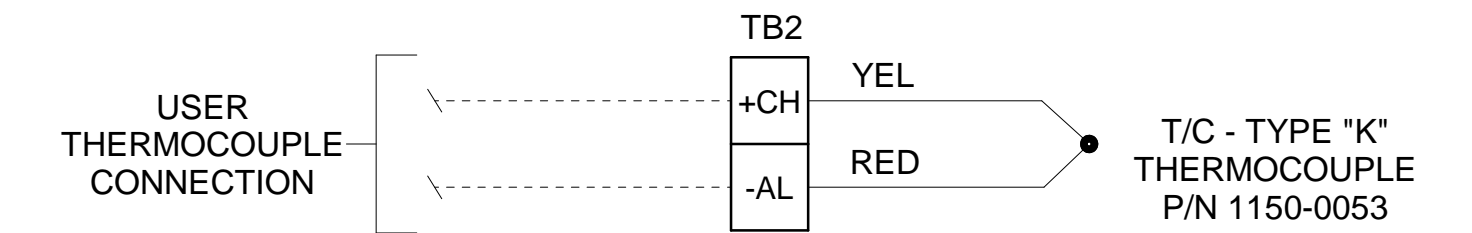


OPTIONAL

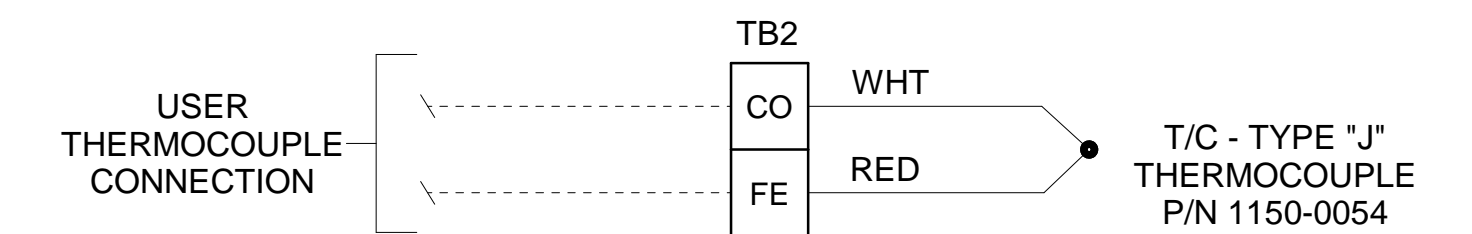
PT100 RTD OPTION FOR REMOTE FILTER HEATER TEMP MONITORING / CONTROL



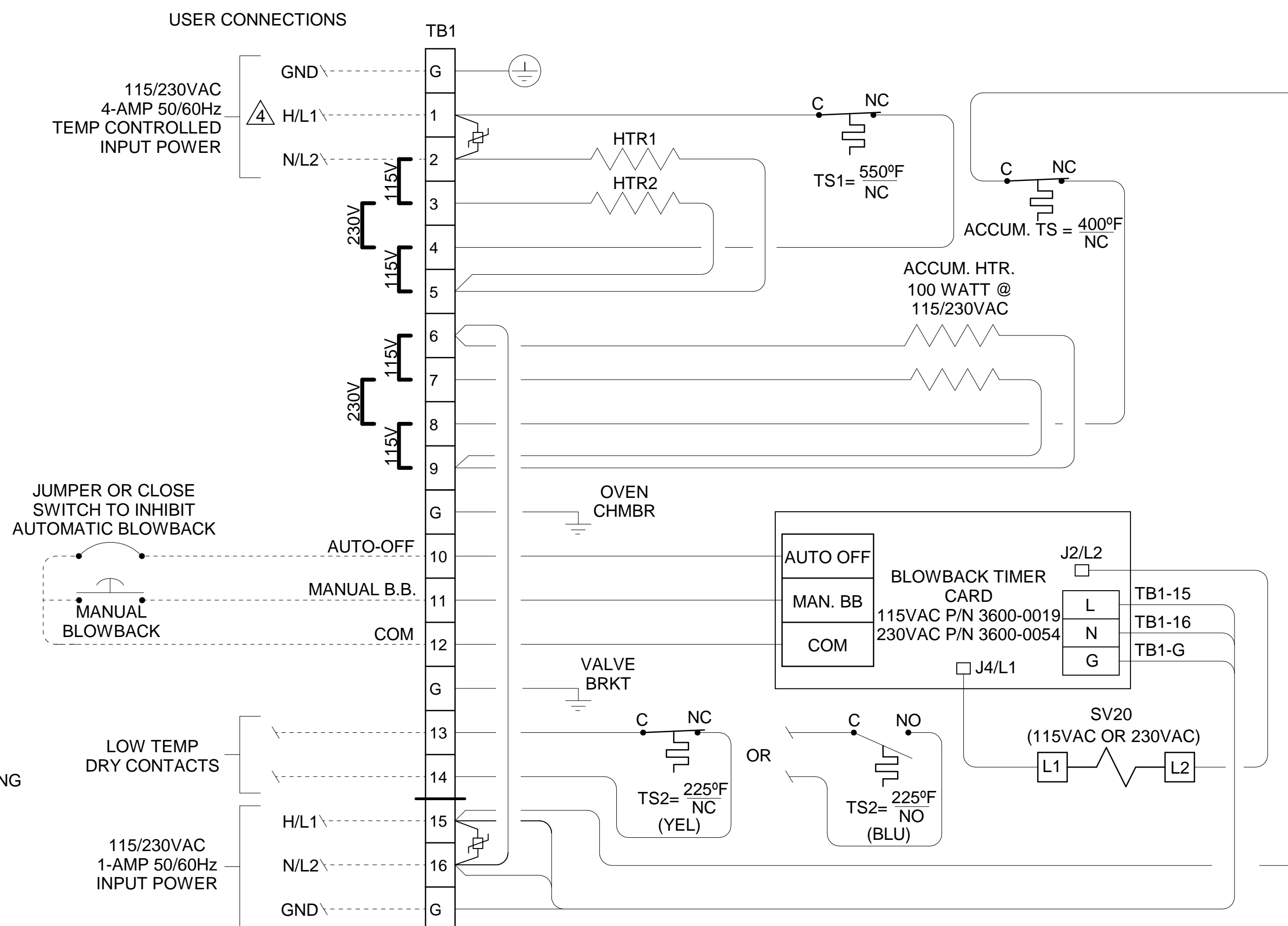
THERMOCOUPLE OPTION FOR REMOTE FILTER HEATER TEMP MONITORING / CONTROL TERMINAL BLOCK P/N +CH = 3304-0167 -AL = 3304-0168



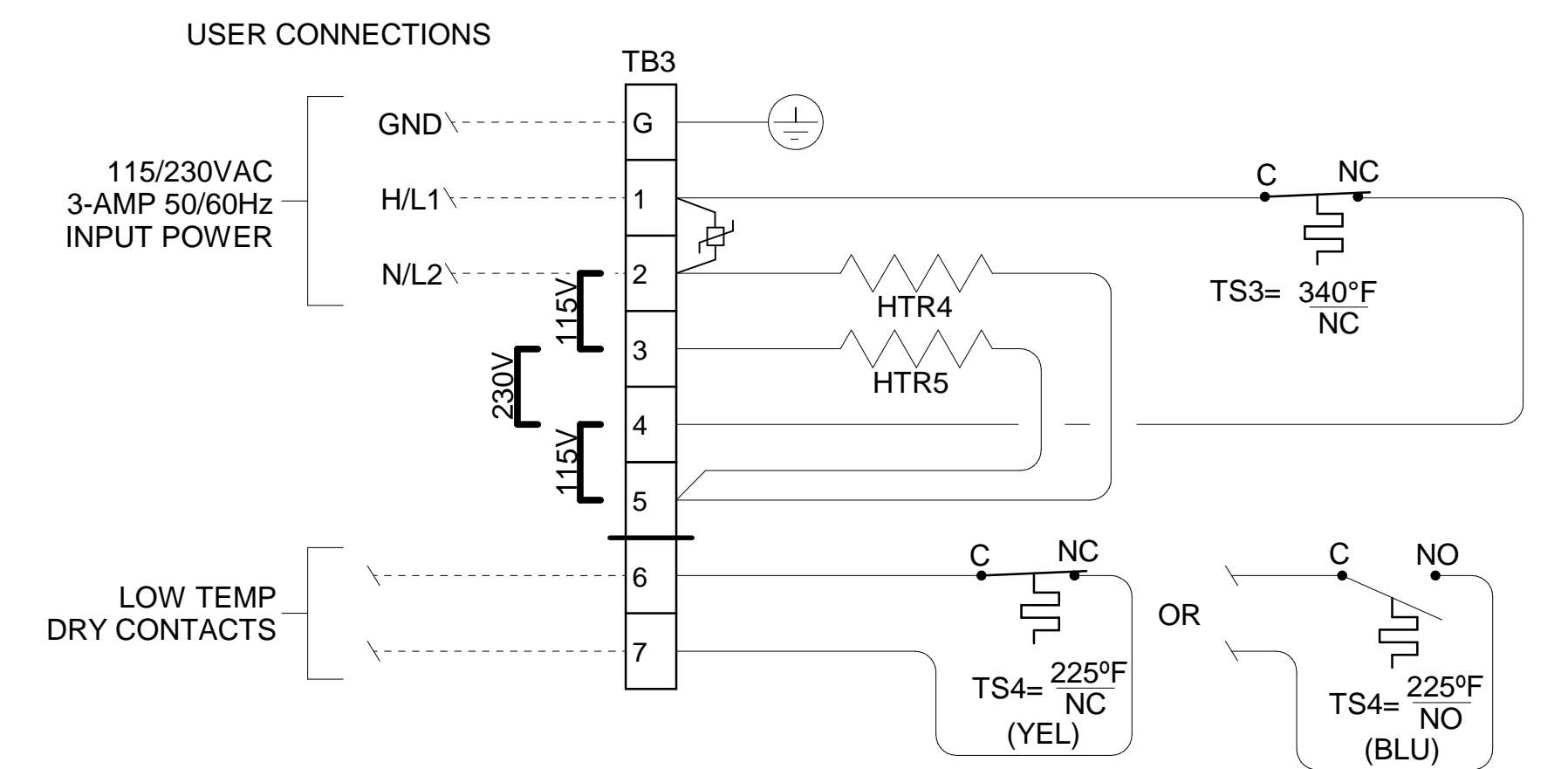
THERMOCOUPLE OPTION FOR REMOTE FILTER HEATER TEMP MONITORING / CONTROL TERMINAL BLOCK P/N CO = 3304-0171 FE = 3304-0172



REMOTE TEMPERATURE CONTROL



OPTIONAL BALL VALVE (BV1) THERMAL SWITCH TEMP CONTROL



Web Doc

NOTES:

1. FILTER HEATER ROD SPECIFICATIONS (HTR1,2,4,5):
3/8" Ø X 1.5" LG @ 63 WATT/115VAC - P/N 3103-0046
 2. OVEN TEMP. CONTROL OPTIONS (TS1 & TS3):
NORMALLY CLOSED (NC) BELOW 340°F - P/N 3103-0014
NORMALLY CLOSED (NC) BELOW 375°F - P/N 3103-0061
NORMALLY CLOSED (NC) BELOW 550°F - P/N 3103-0005
 3. LOW TEMP ALARM OPTIONS (TS2 & TS4):
NORMALLY CLOSED (NC) BELOW 225°F (YELLOW LEADS) - P/N 3103-0013
NORMALLY OPEN (NO) BELOW 225°F (BLUE LEADS) - P/N 3103-0012
- CHASSIS GROUND MINIMUM WIRE SIZE 14AWG GREEN/YELLOW
4. REMOTE CHAMBER HEATER CONTROL OPTION WILL REQUIRE LABEL P/N 5001-0217 TO BE ATTACHED TO BACK PLATE PARALLEL TO TB1; AND THAT TEMPERATURE BE REGULATED WITH A TEMPERATURE CONTROLLING DEVICE. VERIFY THAT THE VOLTAGE BEING SUPPLIED MATCHES THE VOLTAGE RATING ON THE SERIAL TAG.
5. SEE A0562 FOR HEATED ACCUMULATOR PARTS.

FIELD TO WIRE

5200 Convair Drive Carson City, NV 89706 PH(775)883-2500 FAX (775)883-6388		K.2	12/03/20	REMOVE TS 375°F AND 550°F ON BV1	NCU	GE
		REV	DATE	DESCRIPTION	DWN/APVD	
MODEL 270SF W/ TIMED HEATED BLOWBACK WIRING SCHEMATICS		REVISIONS				
PART NO.		DATE	SCALE	SIZE	SHEET	
FOR		06/23/2006	NTS	D	7 OF 7	
DRAWN BY R. Wells		ECO#		DRAWING NO.		
270SF		-		P1083		