

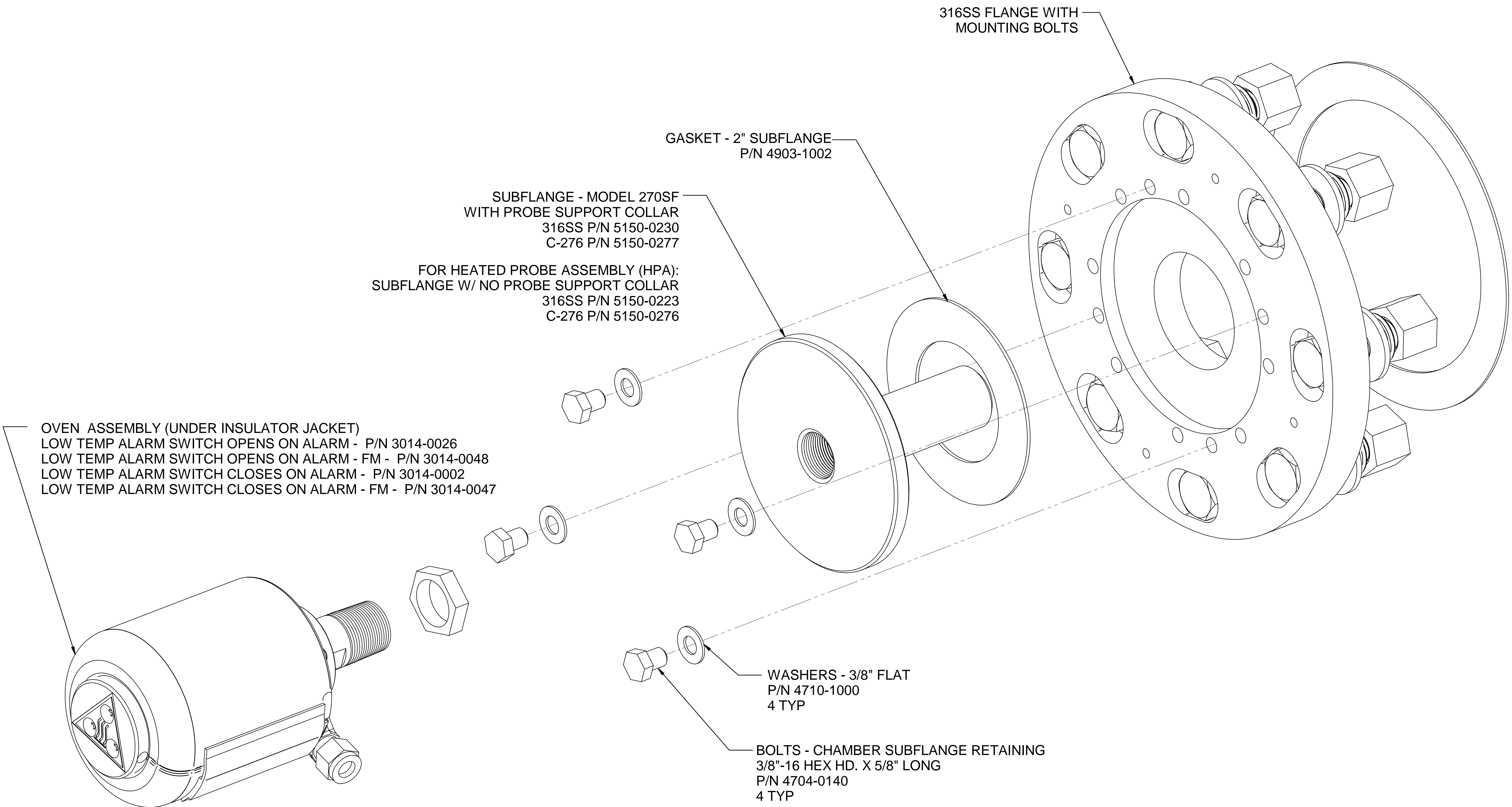




CONFIGURATION OPTIONS		
OPTION	DESCRIPTION	DWG.
-H	Z-PURGE HORIZONTAL	P1218
-V	Z-PURGE VERTICAL	
-A	AMMONIA CONVERTER	P1376
-HR	TERMINALS FOR HEATED	P1412
-HJ	PROBE ASSEMBLY	
-HK		
-xy	EXTENDED LENGTH PROBE TUBE SUPPORT x= LENGTH (2 - 5FT.) y= MATERIAL (S= 316SS) (C= C276) (T= 310SS)	P1445

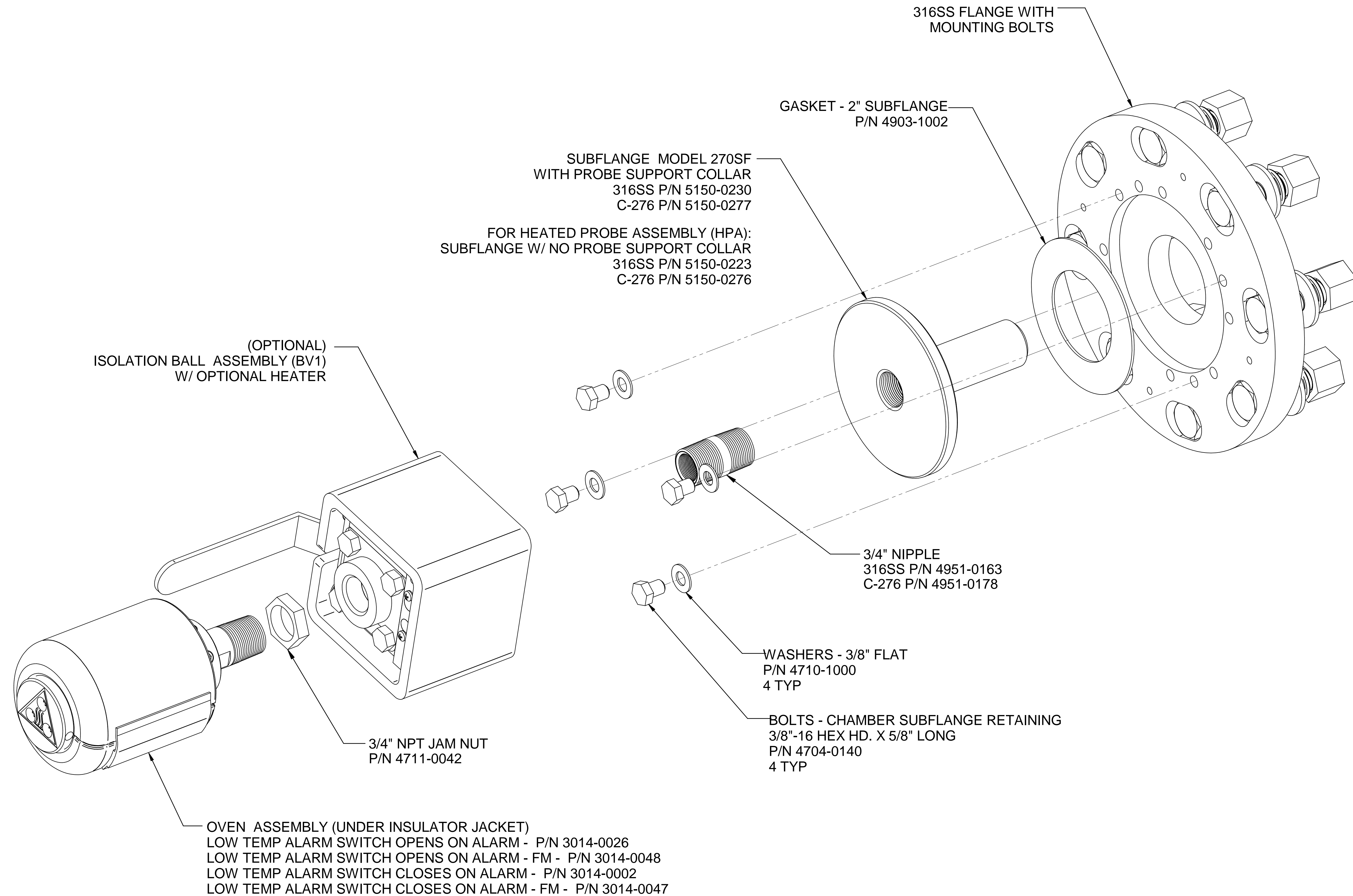
Web Doc

5200 Convair Drive Carson City, NV 89706 PH(775)883-2500 FAX (775)883-6388		P.3	12/03/20	REMOVE TS 375°F AND 550°F ON BV1	NCU	GE				
 		REV	DATE	DESCRIPTION	DWN	APVD				
MODEL 270SF W/ HEATED BLOWBACK LAYOUT		REVISIONS				DATE	SCALE	SIZE	SHEET	
PART NO. 270SF		FOR INSTRUMENT		DRAWN BY R. Wells	ECO#	DRAWING NO. P1082	06/23/2006	NTS	D	1 OF 8
				APVD BY G. Evans						





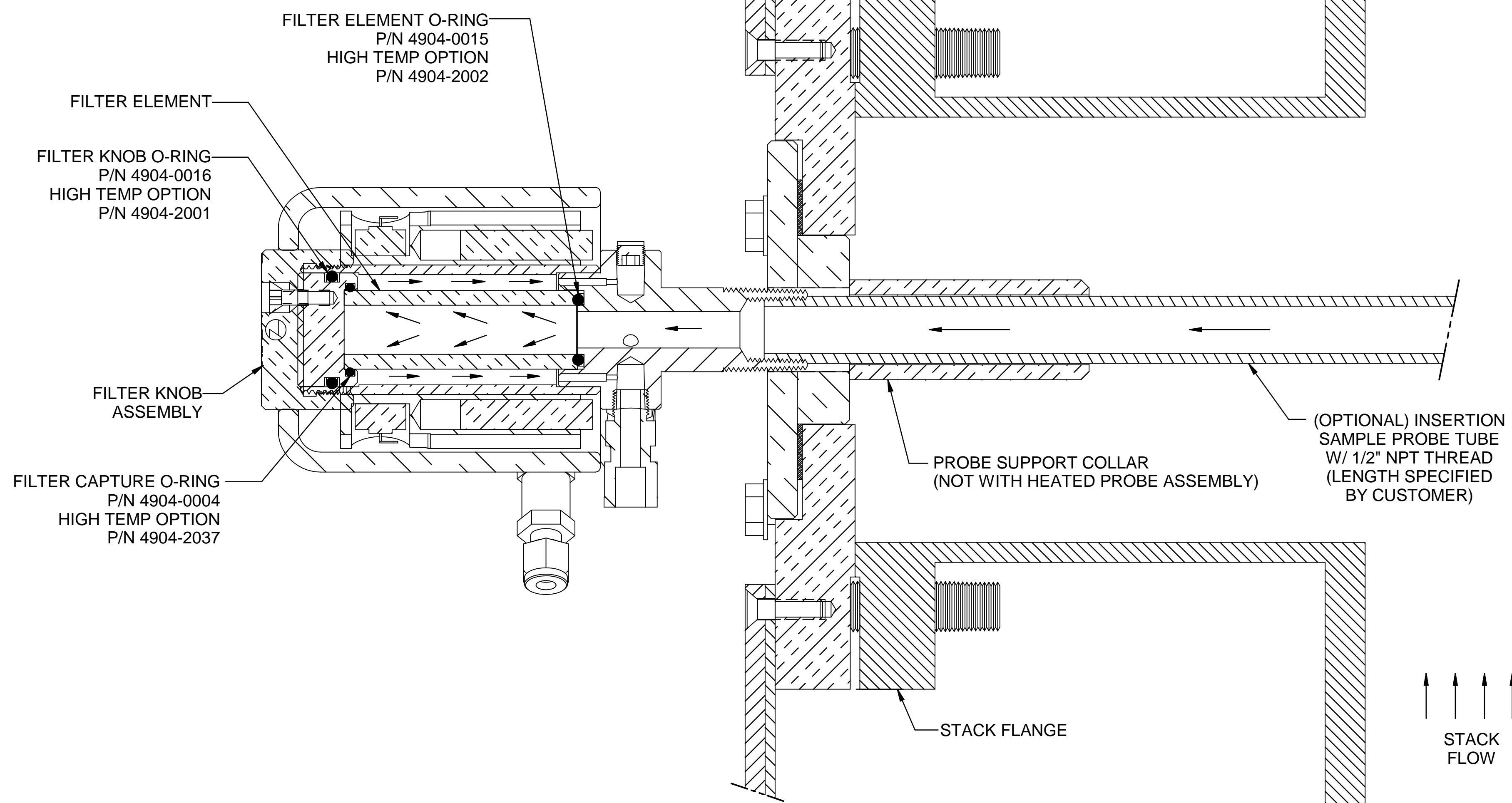
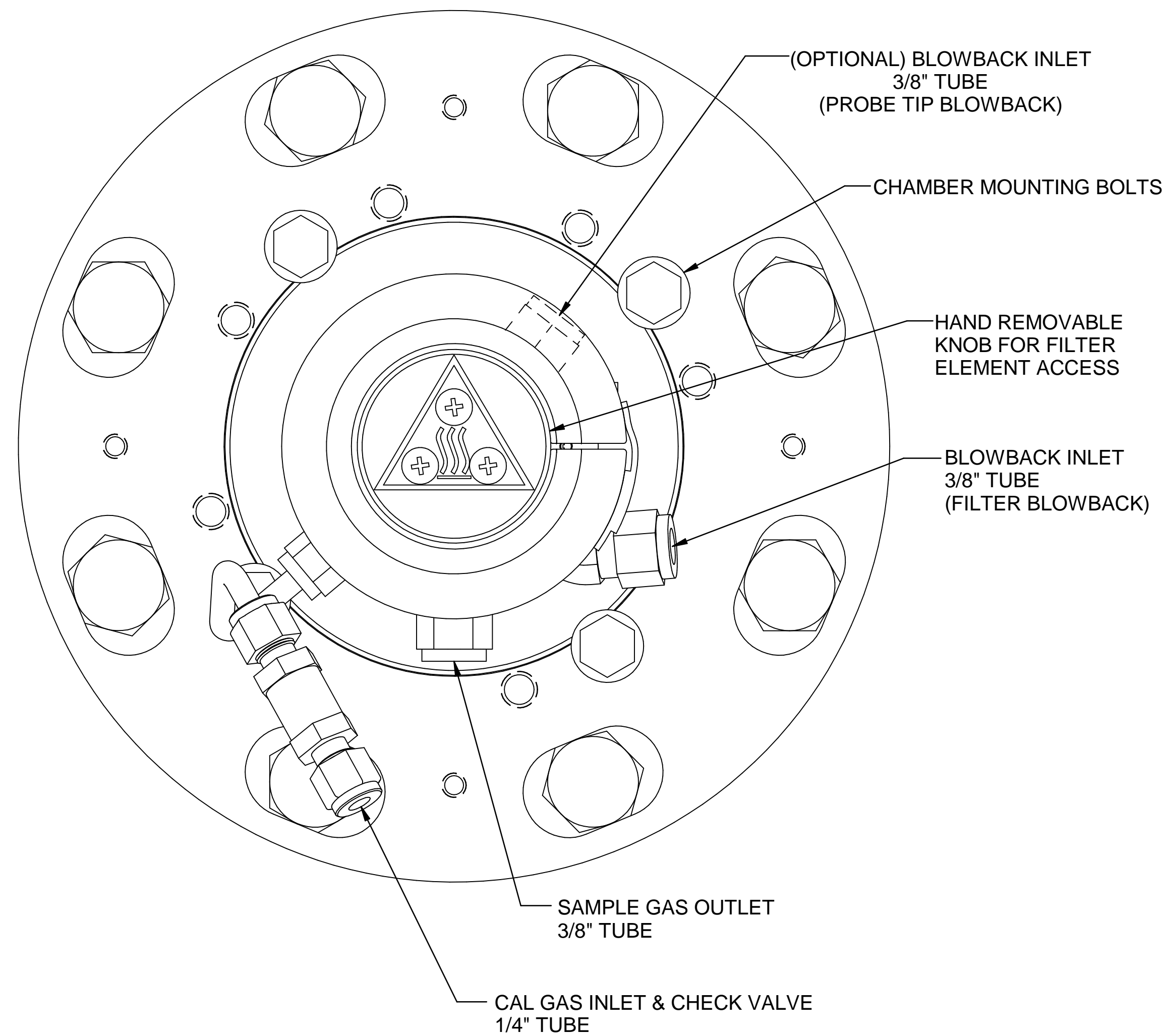
Web Doc

 		5200 Convoir Drive Carson City, NV 89706 PH(775)883-2500 FAX (775)883-6388		P.3	12/03/20	REMOVE TS 375°F AND 550°F ON BV1	NCU	GE
<b>MODEL 270SF W/ HEATED BLOWBACK FLANGE ASSEMBLY</b>		<b>REVISIONS</b>		REV	DATE	DESCRIPTION	DWN	APVD
PART NO. 270SF		FOR INSTRUMENT		DATE	SCALE	SIZE	SHEET	DRAWING NO.
				06/23/2006	NTS	D	2 OF 8	P1082
		DRAWN BY R. Wells		ECO#				
		APVD BY G. Evans		-				

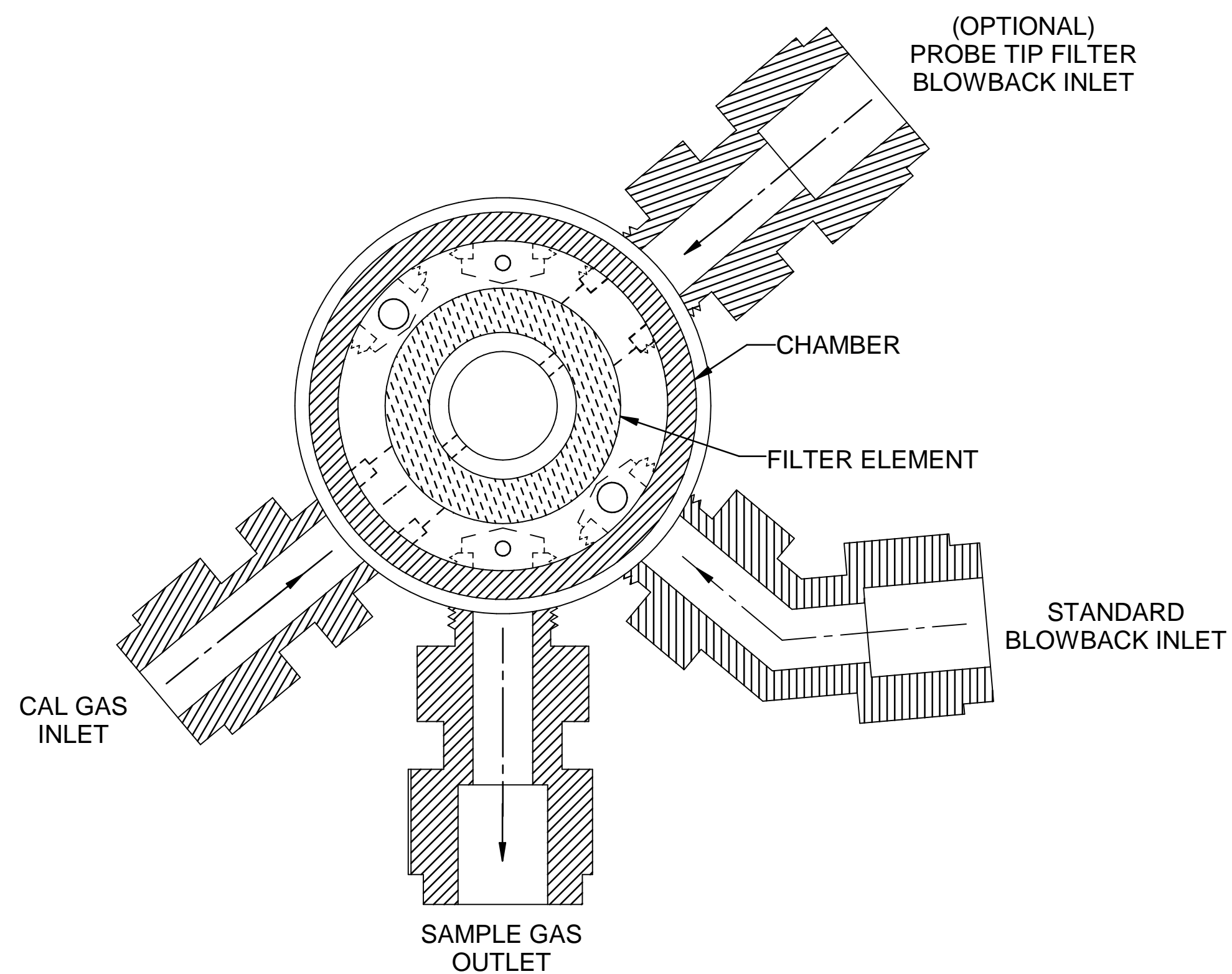


Web Doc

5200 Convoir Drive Carson City, NV 89706 PH(775)883-2500 FAX (775)883-6388		P.3	12/03/20	REMOVE TS 375°F AND 550°F ON BV1	NCU	GE
 		REV	DATE	DESCRIPTION	DWN	APVD
REVISIONS						
MODEL 270SF W/ HEATED BLOWBACK FLANGE ASSEMBLY		DATE	SCALE	SIZE	SHEET	
		06/23/2006	NTS	D	3 OF 8	
PART NO.	FOR	DRAWN BY	ECO#	DRAWING NO.		
270SF	INSTRUMENT	R. Wells	-	P1082		
		APVD BY	G. Evans			





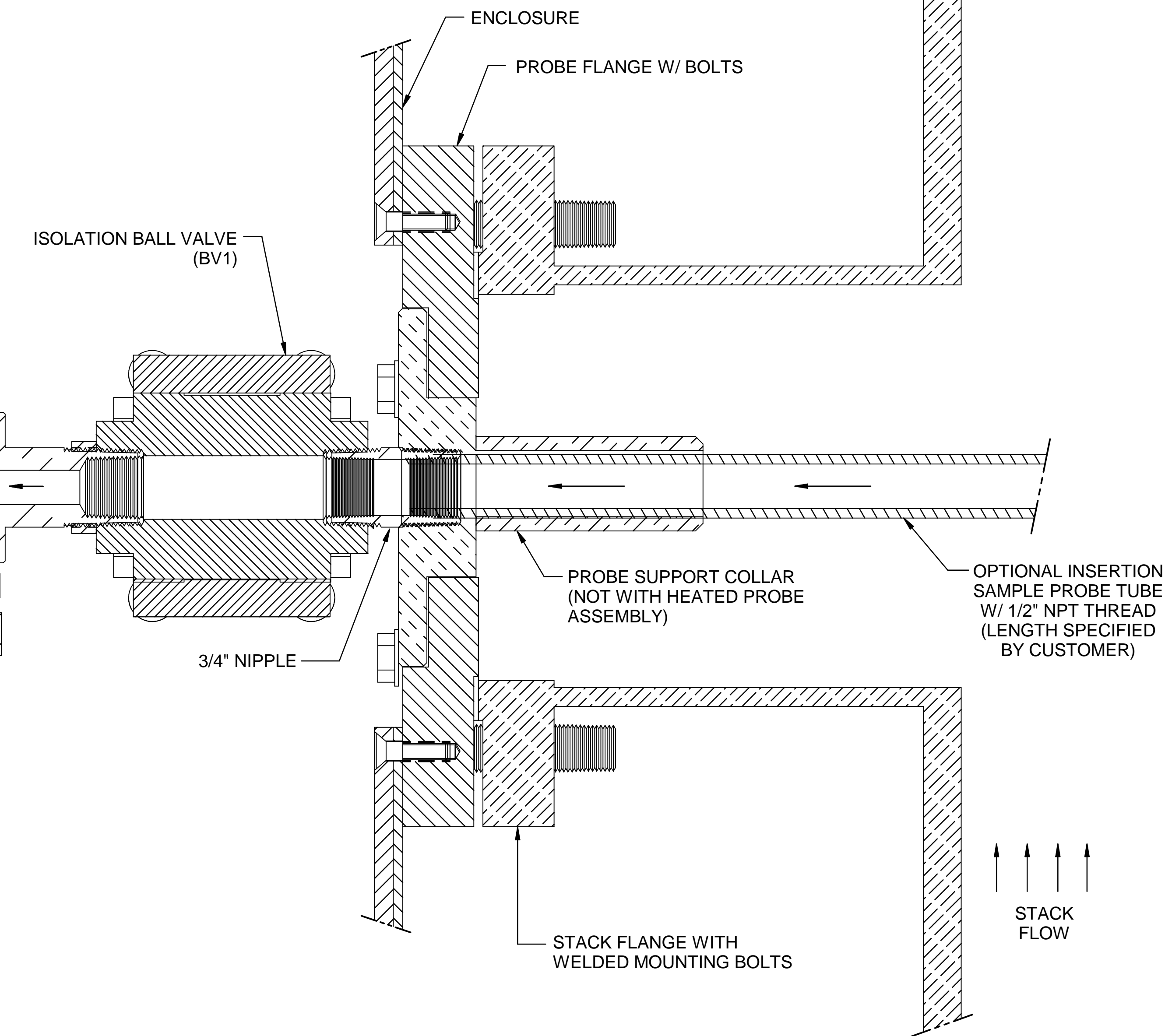
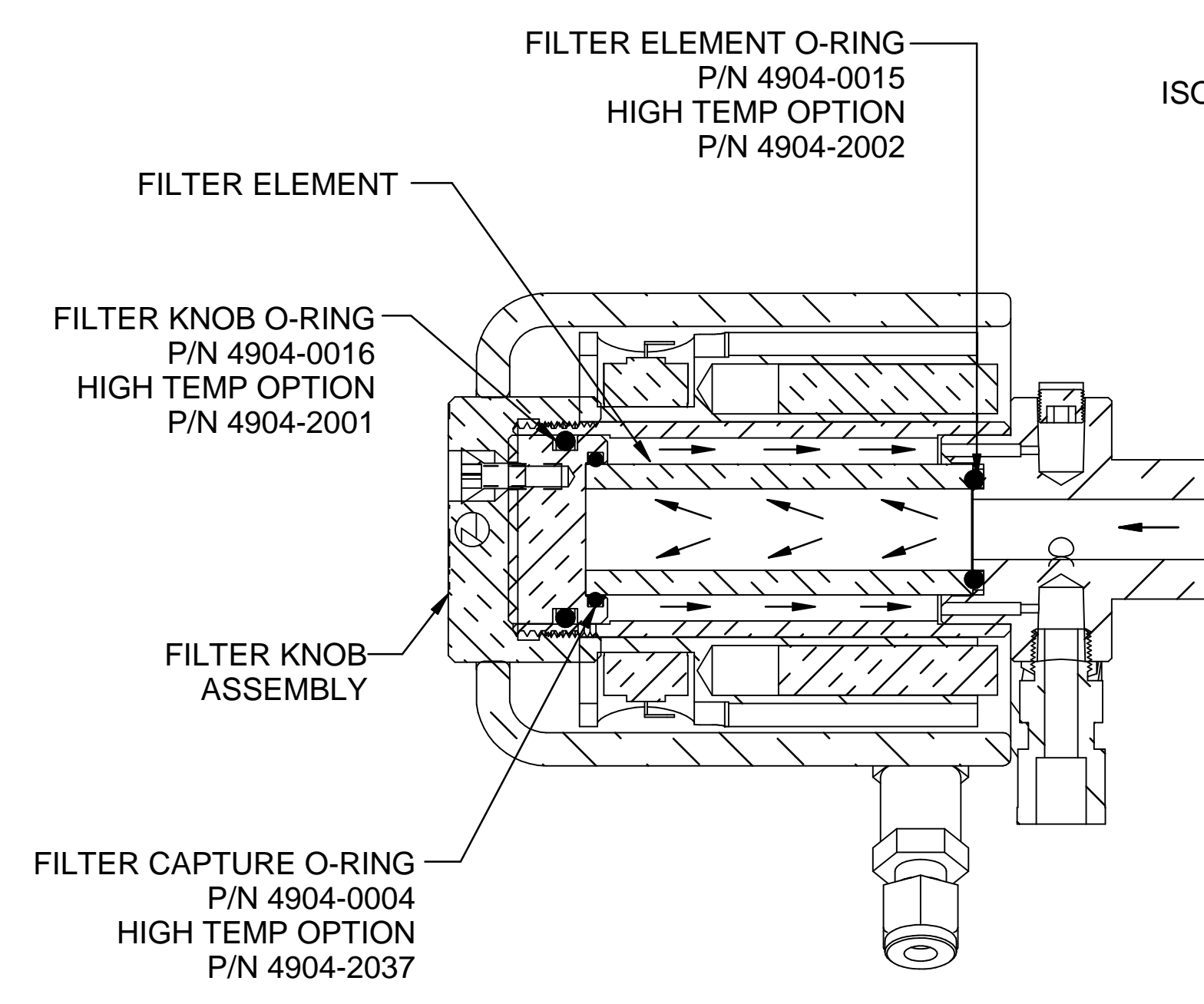
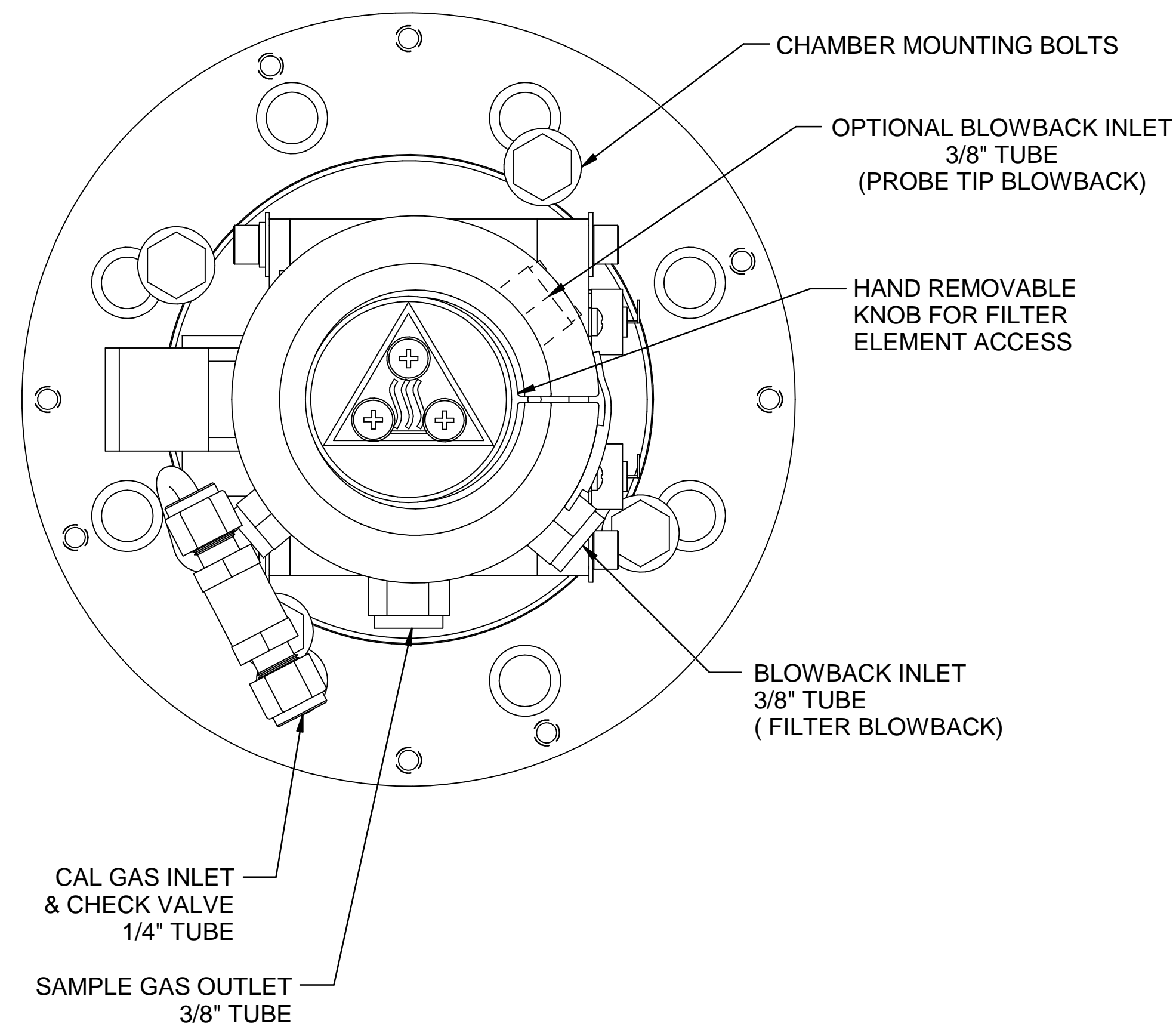
FILTER CHAMBER  
CROSS-SECTION



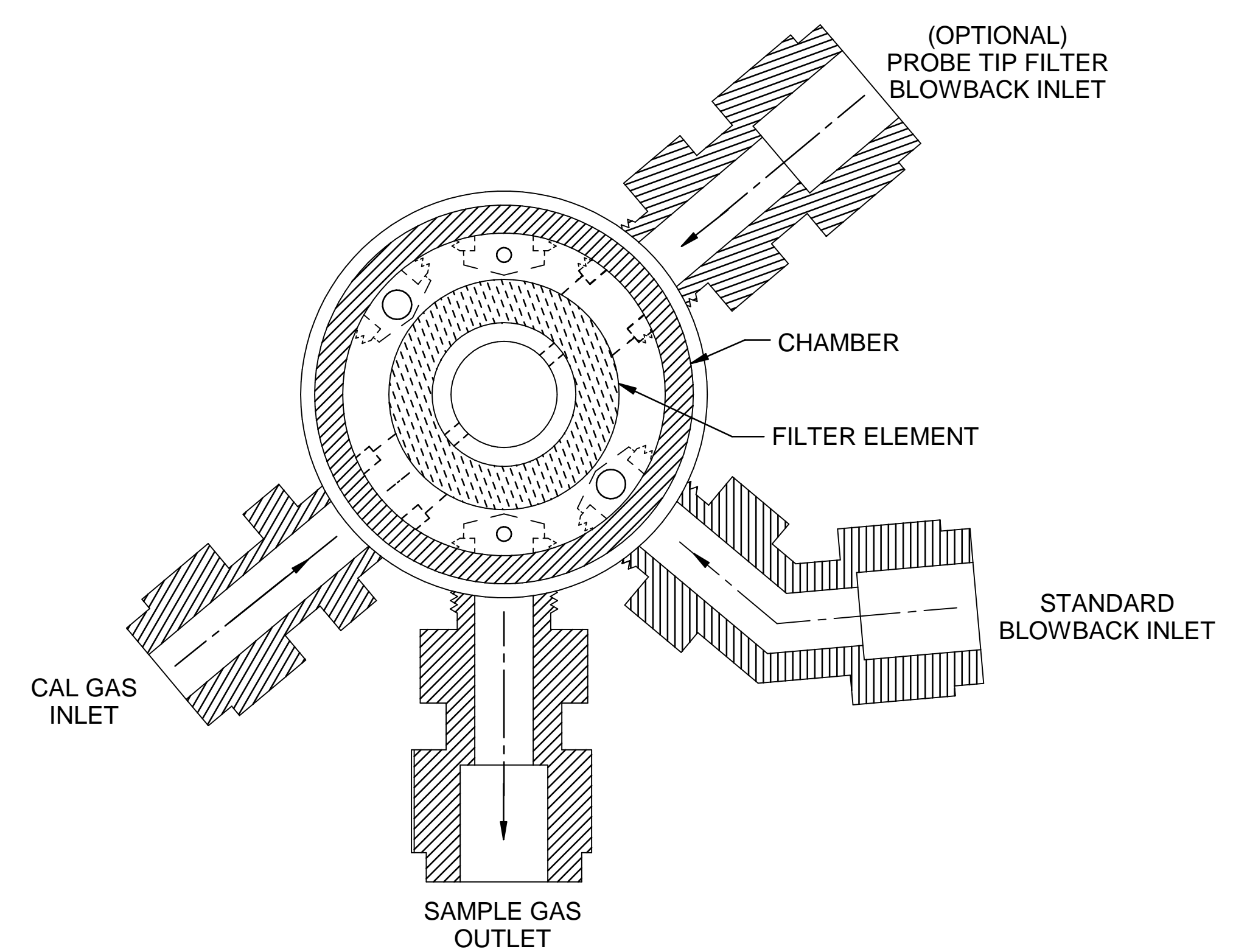
INTERNAL PORTING CONFIGURATION

Web Doc

5200 Convoir Drive Carson City, NV 89706 PH(775)883-2500 FAX (775)883-6388		P.3	12/03/20	REMOVE TS 375°F AND 550°F ON BV1	NCU	GE
		REV DATE		DESCRIPTION	DWN	APVD
		REVISIONS				
MODEL 270SF W/ HEATED BLOWBACK FILTER CHAMBER CROSS-SECTION		DATE	SCALE	SIZE	SHEET	
		06/23/2006	NTS	D	4 OF 8	
PART NO.	FOR	DRAWN BY	R. Wells	ECO#	DRAWING NO.	
270SF	INSTRUMENT	APVD BY	G. Evans	-	P1082	



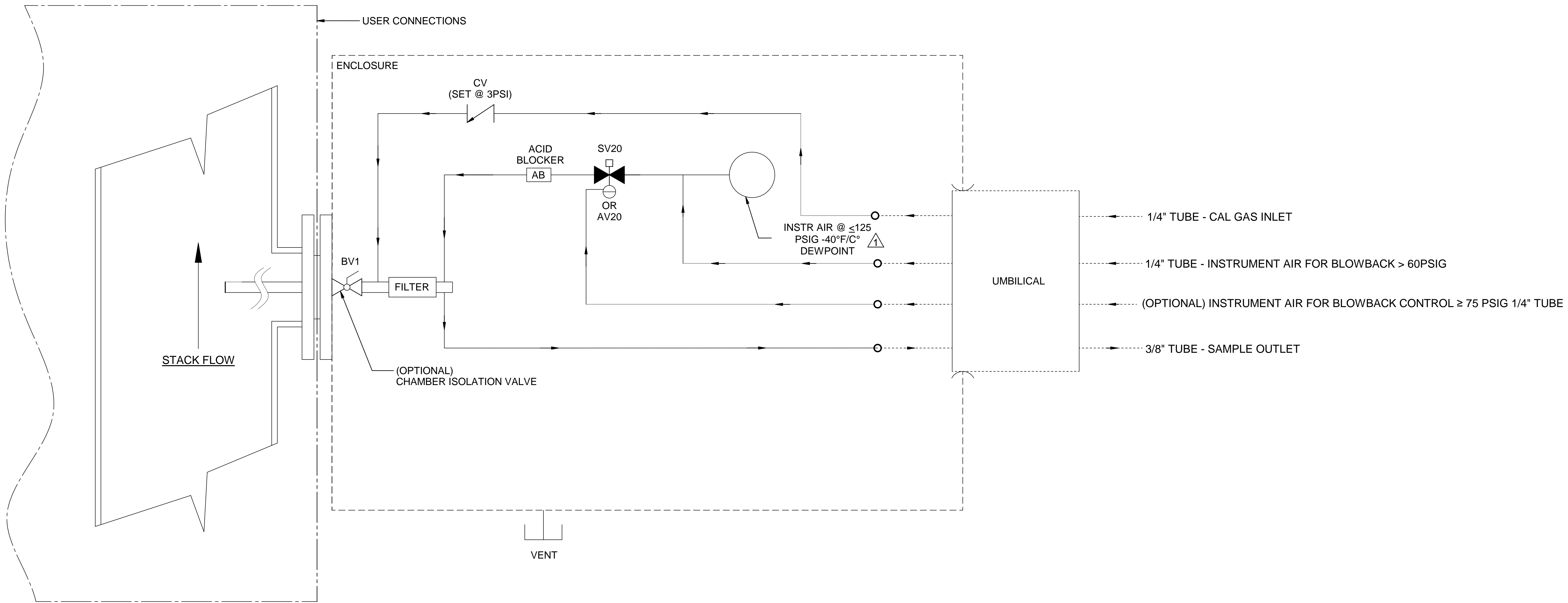
FILTER CHAMBER  
CROSS-SECTION



INTERNAL PORTING CONFIGURATION

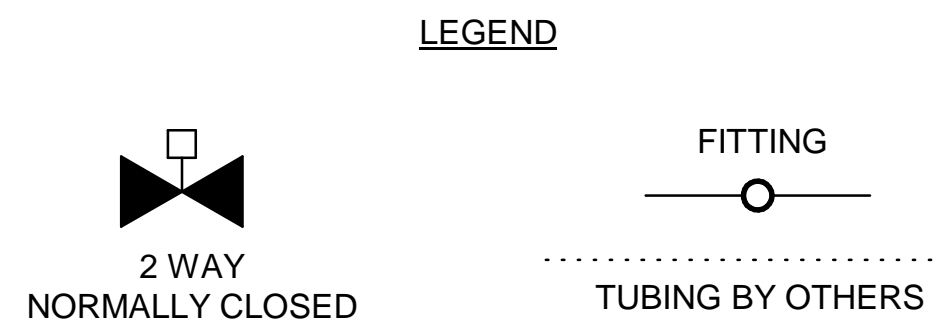
Web Doc

				5200 Convoir Drive Carson City, NV 89706 PH(775)883-2500 FAX (775)883-6388	
P.3	12/03/20	REMOVE TS 375°F AND 550°F ON BV1	NCU	GE	
REV	DATE	DESCRIPTION	DWN	APVD	
REVISIONS					
DATE	SCALE	SIZE	SHEET		
06/23/2006	NTS	D	5 OF 8		
PART NO.	FOR	DRAWN BY	ECO#	DRAWING NO.	
270SF	INSTRUMENT	R. Wells	-	P1082	
		APVD BY	G. Evans		



NOTES:  
 ⚠ SEE A0562 FOR HEATED ACCUMULATOR ASSEMBLY.

ITEM	QTY	DESCRIPTION	UAI PART NO.
AB	1	ACID BLOCKER	5110-0015
ACC	1	ACCUMULATOR, 8"	4956-0009
AV20	1	PNEUMATIC VALVE, 2-WAY	4955-0256
BV1	1	VALVE, BALL 3/4" NPT FOR SFU, SFV CONFIGURATIONS	4955-1042-SW
BV1	1	VALVE, BALL 3/4" FOR NFU, NFV CONFIGURATIONS	4955-1042-SW-SN
BV1	1	VALVE, BALL 3/4" FOR SHFU, SHFV CONFIGURATIONS	4955-0269
BV1	1	VALVE, BALL 3/4" FOR NHFU, NHFV CONFIGURATIONS	4955-0269-SN
BV1	1	VALVE, BALL 3/4" FOR CFU, CFV CONFIGURATIONS	4955-1058-SW
BV1	1	VALVE, BALL 3/4" FOR CHFU, CHFV CONFIGURATIONS	4955-1061-SW
CV	1	CHECK VALVE, 1/4" TUBE, 3 PSIG	4955-0148
SV20	1	VALVE, SOLENOID, 2-WAY, 24 VDC	4955-0010
SV20	1	VALVE, SOLENOID, 2-WAY, 115 VAC	4955-0002
SV20	1	VALVE, SOLENOID, 2-WAY, 230 VAC	4955-0005

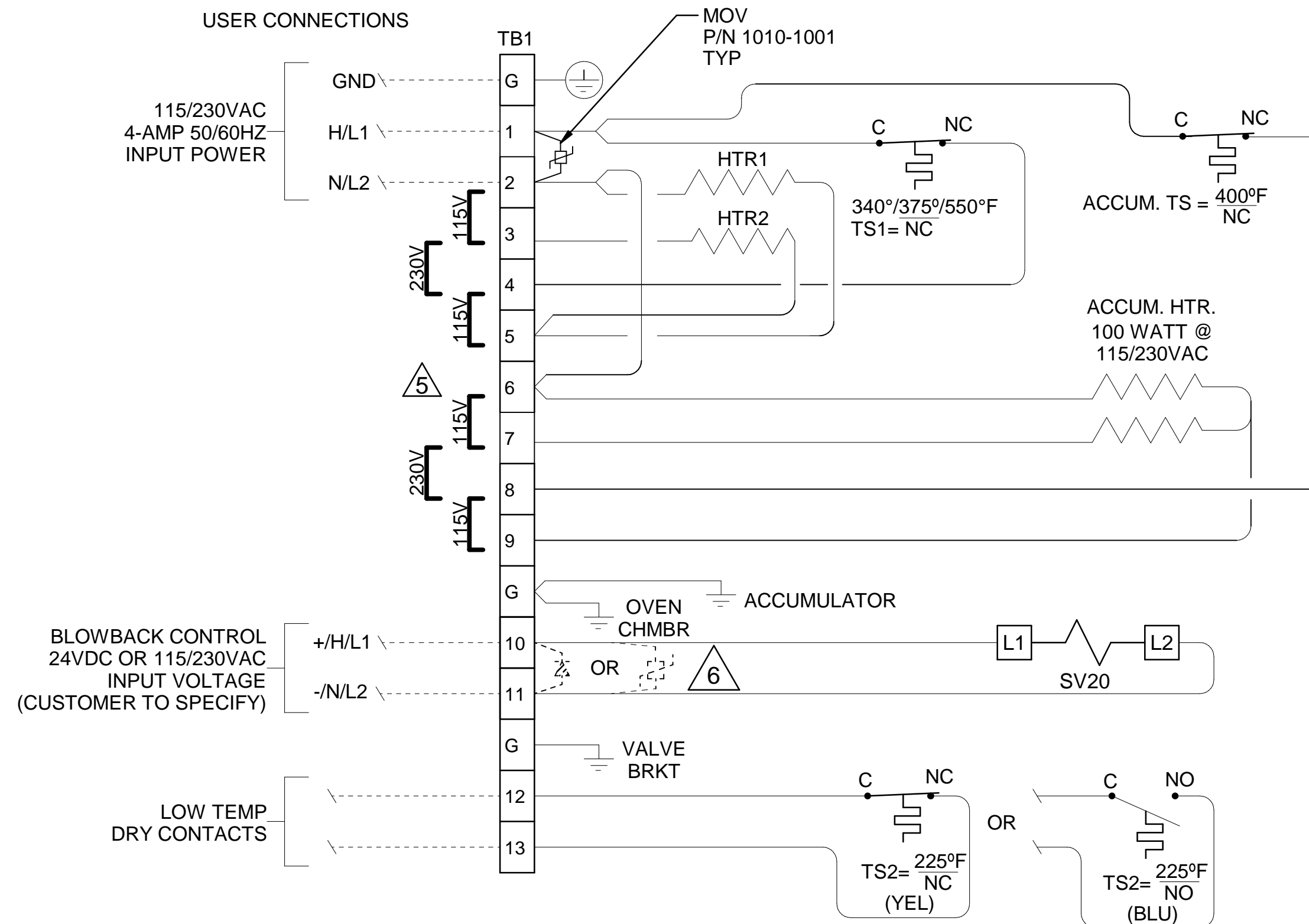


Web Doc

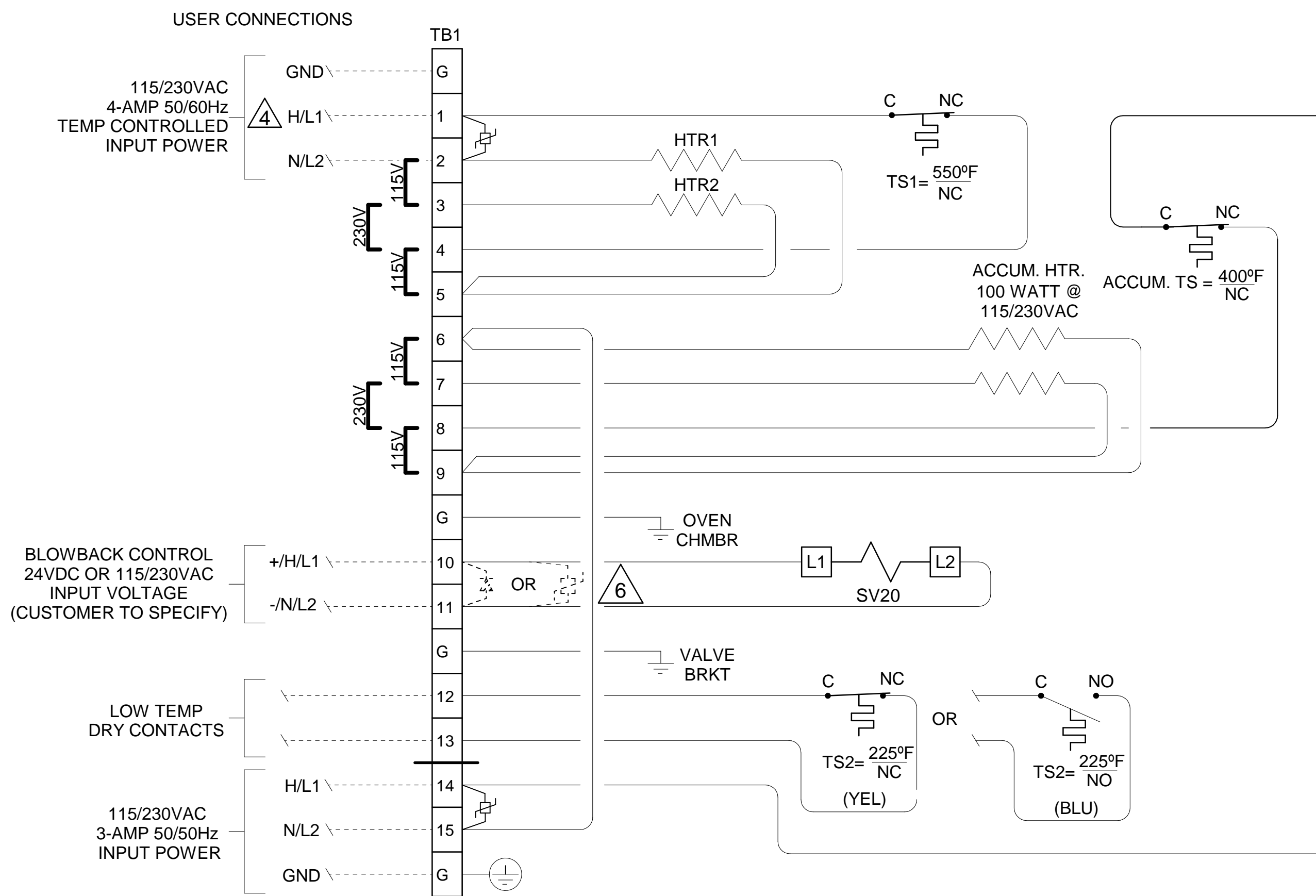
		P.3	12/03/20	REMOVE TS 375°F AND 550°F ON BV1	NCU	GE
REV	DATE	DESCRIPTION			DWN	APVD
REVISIONS						
DATE		SCALE	SIZE	SHEET		
06/23/2006		NTS	D	6 OF 8		
PART NO.	FOR	DRAWN BY	ECO#	DRAWING NO.		
270SF	INSTRUMENT	R. Wells	-	P1082		
		APVD BY				
		G. Evans				

UNHEATED ENCLOSURE

THERMAL SWITCH TEMPERATURE CONTROL

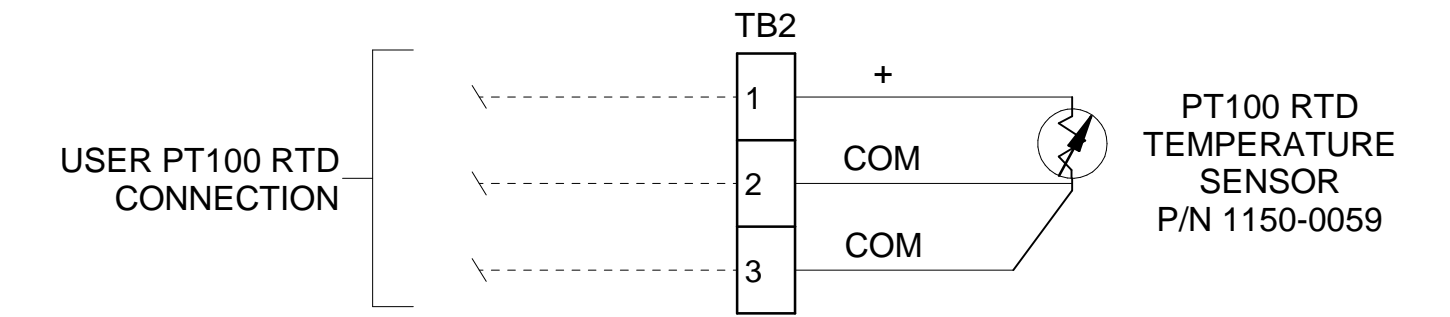


REMOTE TEMPERATURE CONTROL

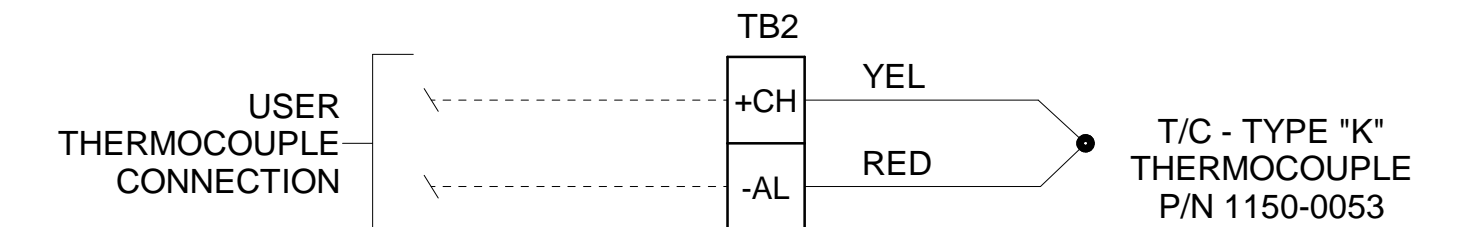


OPTIONAL

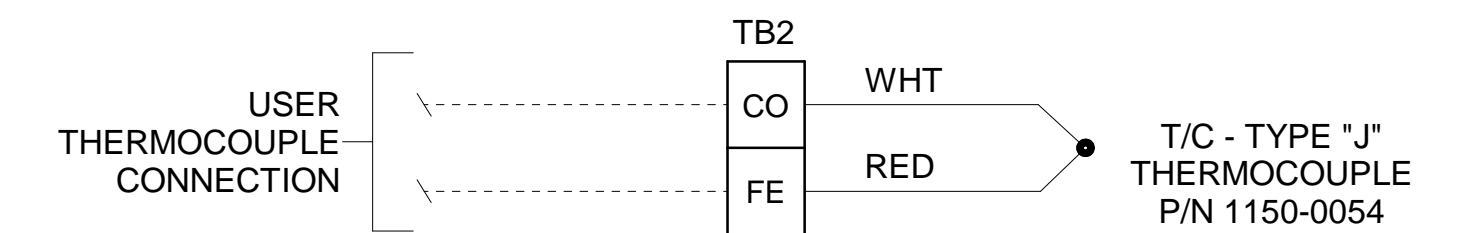
PT100 RTD OPTION FOR REMOTE FILTER HEATER TEMP MONITORING / CONTROL



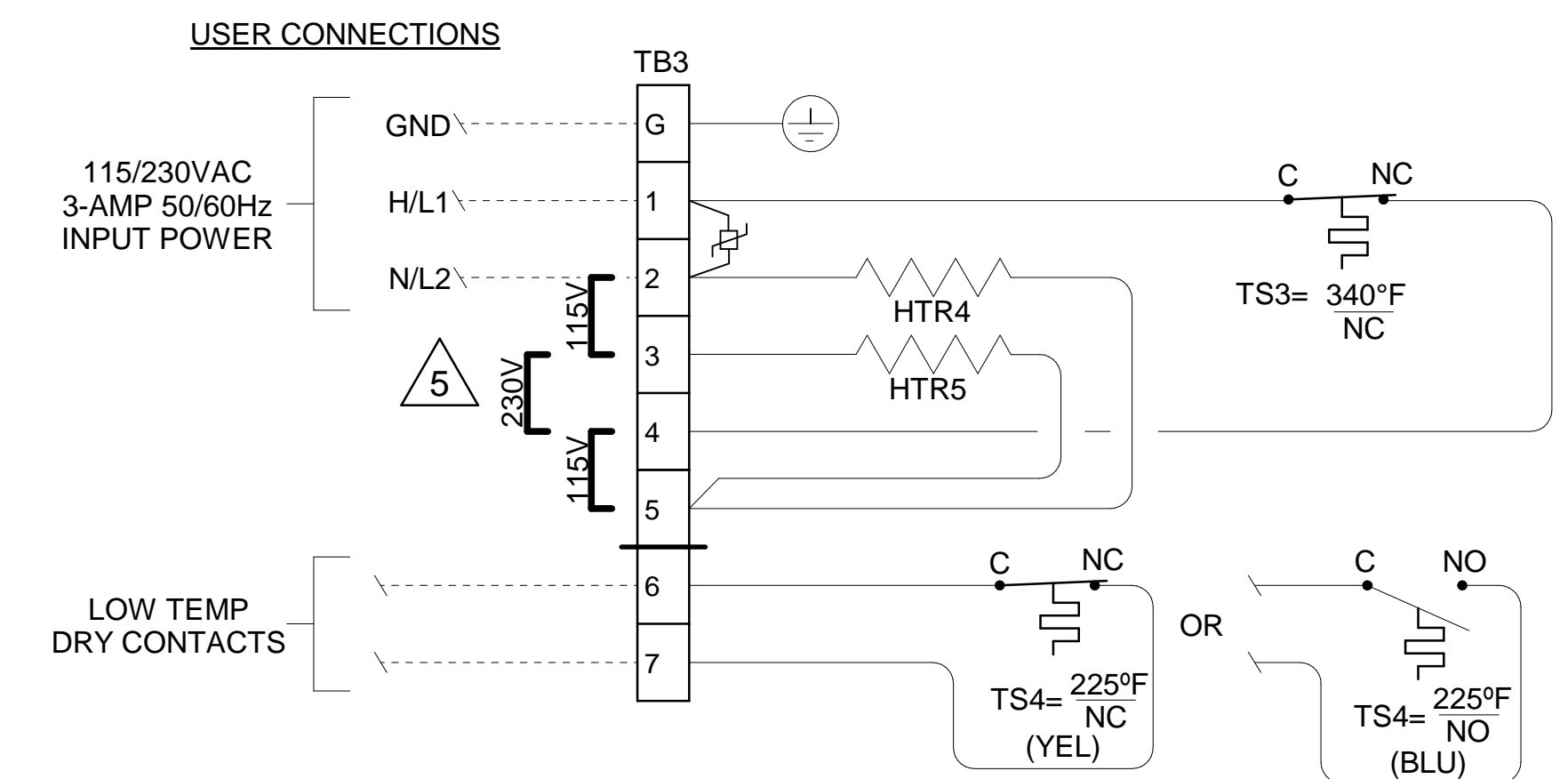
THERMOCOUPLE OPTION FOR REMOTE FILTER HEATER TEMP MONITORING / CONTROL TERMINAL BLOCK P/N +CH = 3304-0167 -AL = 3304-0168



THERMOCOUPLE OPTION FOR REMOTE FILTER HEATER TEMP MONITORING / CONTROL TERMINAL BLOCK P/N CO = 3304-0171 FE = 3304-0172



OPTIONAL BALL VALVE (BV1) THERMAL SWITCH TEMP CONTROL



NOTES:

1. FILTER HEATER ROD SPECIFICATIONS (HTR1,2,4,5): 3/8" Ø X 1.5" LG @ 63 WATT/115VAC - P/N 3014-0046
2. OVEN TEMP. CONTROL OPTIONS (TS1 & TS3): NORMALLY CLOSED (NC) BELOW 340°F - P/N 3103-0014 NORMALLY CLOSED (NC) BELOW 375°F - P/N 3103-0061 NORMALLY CLOSED (NC) BELOW 550°F - P/N 3103-0005
3. LOW TEMP ALARM OPTIONS (TS2 & TS4): NORMALLY CLOSED (NC) BELOW 225°F (YELLOW LEADS) - P/N 3103-0013 NORMALLY OPEN (NO) BELOW 225°F (BLUE LEADS) - P/N 3103-0012

CHASSIS GROUND MINIMUM WIRE SIZE 14AWG GREEN/YELLOW WIRE

4 REMOTE CHAMBER HEATER CONTROL OPTION WILL REQUIRE LABEL P/N 5001-0217 TO BE ATTACHED TO BACK PLATE PARALLEL TO TB1; AND THAT TEMPERATURE BE REGULATED WITH A TEMPERATURE CONTROLLING DEVICE. VERIFY THAT THE VOLTAGE BEING SUPPLIED MATCHES THE VOLTAGE RATING ON THE SERIAL TAG.

5 FOR VOLTAGE CHANGE IN THE FIELD FROM 115 VAC TO 230 VAC, REMOVE JUMPERS ON TB1 & TB3 AT TERMINAL LOCATIONS 2-3 & 4-5. INSERT JUMPER AT TERMINAL LOCATION 3-4.

6 DIODE NEEDED FOR 24V SOLENOIDS: P/N 1000-0009; MOV FOR AC SOLENOIDS: P/N 1010-1001.

7. SEE A0562 FOR HEATED ACCUMULATOR PARTS.

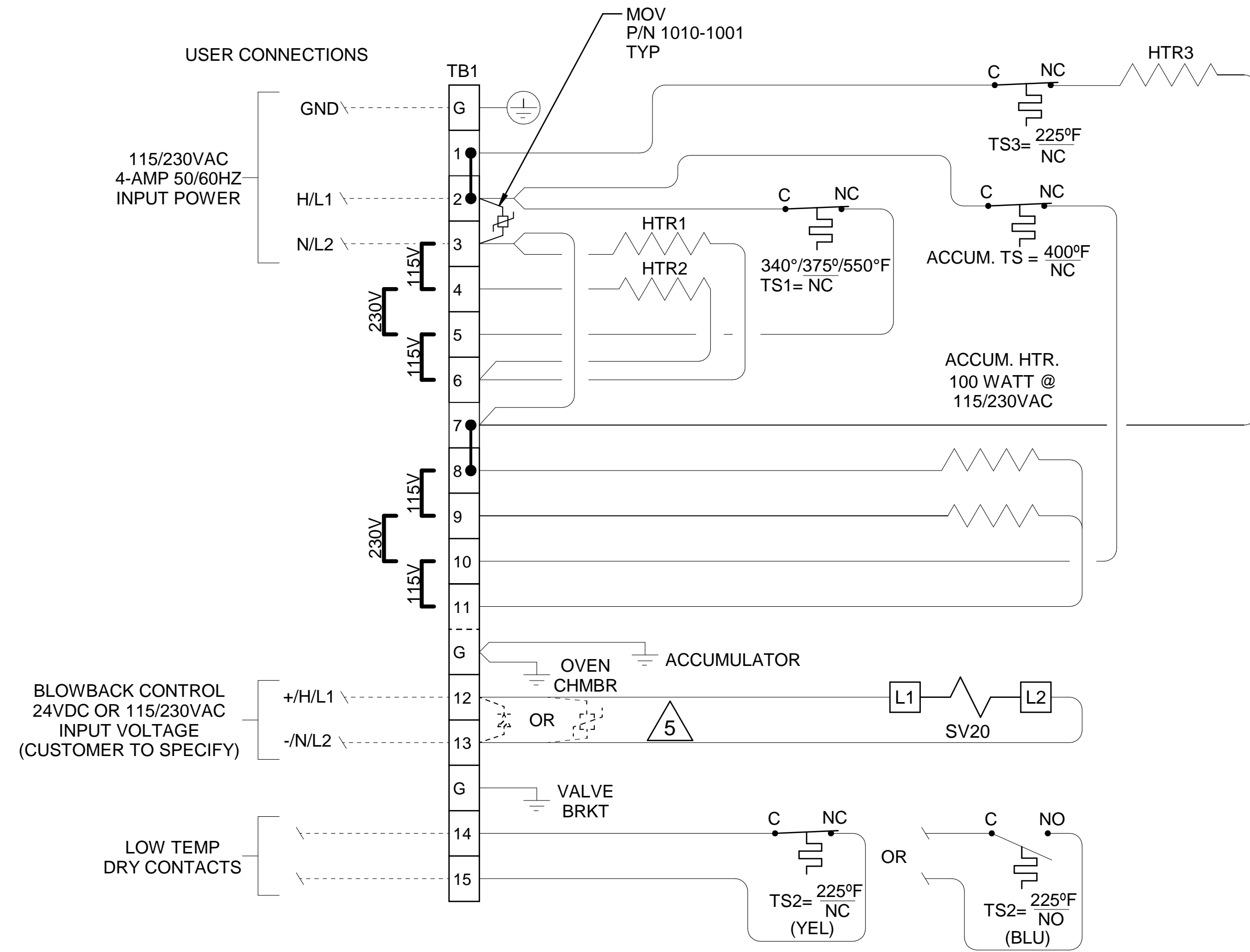
Web Doc

				5200 Convair Drive Carson City, NV 89706 PH(775)883-2500 FAX (775)883-6388	
P.3	12/03/20	REMOVE TS 375°F AND 550°F ON BV1	NCU	GE	
REV	DATE	DESCRIPTION	DWN	APVD	
REVISIONS					
DATE		SCALE	SIZE	SHEET	
06/23/2006		NTS	D	7 OF 8	
PART NO.	FOR	DRAWN BY	ECO#	DRAWING NO.	
270SF	INSTRUMENT	R. Wells	-	P1082	
		APVD BY			
		G. Evans			

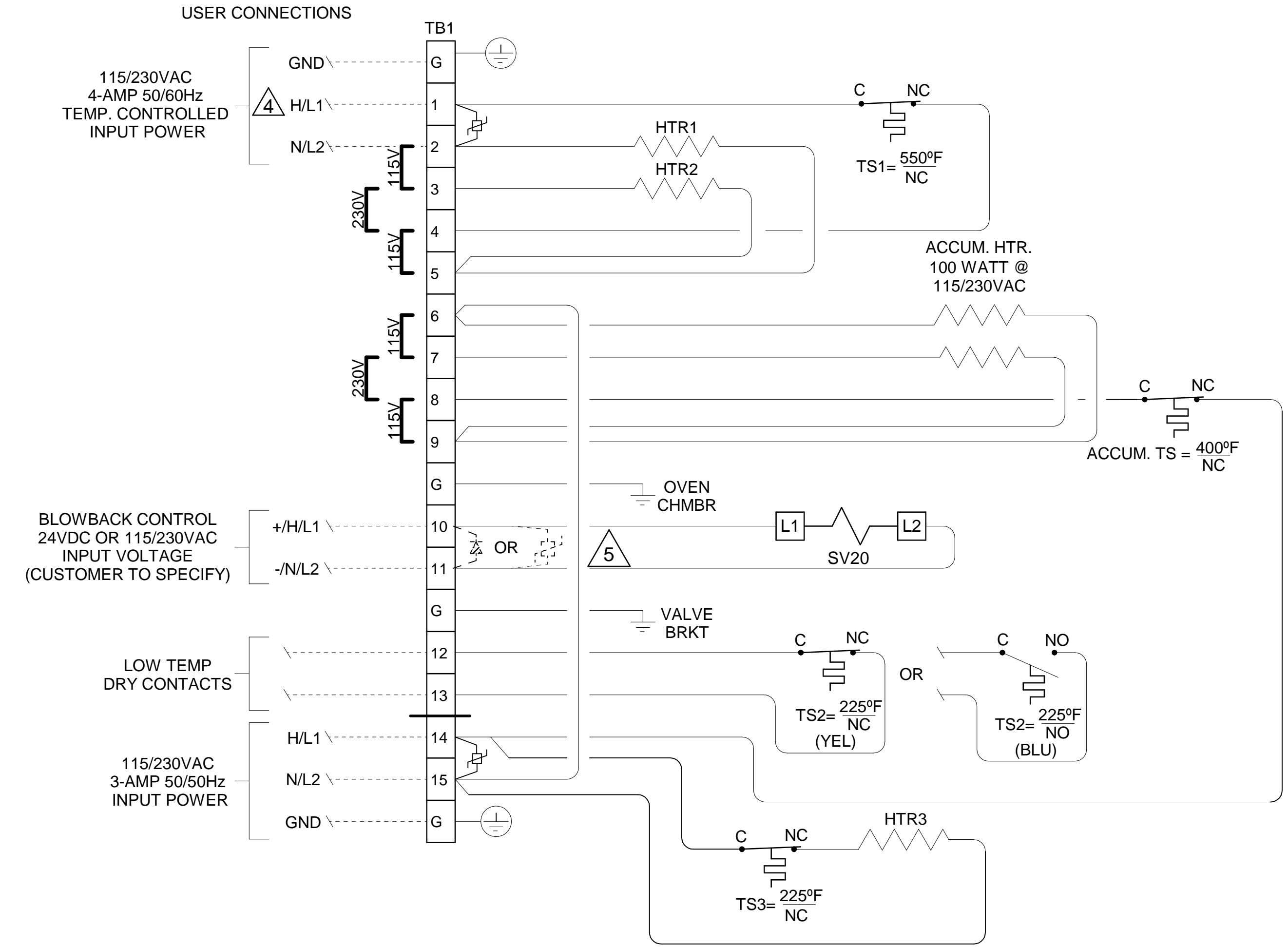
FIELD TO WIRE

# HEATED ENCLOSURE

## THERMAL SWITCH TEMPERATURE CONTROL



## REMOTE TEMPERATURE CONTROL



### NOTES:

1. FILTER HEATER ROD SPECIFICATIONS (HTR1,2,4,5):  
3/8" Ø X 1.5" LG @ 63 WATT/115VAC - P/N 3014-0046
  2. OVEN TEMP. CONTROL OPTIONS (TS1 & TS3):  
NORMALLY CLOSED (NC) BELOW 340°F - P/N 3103-0014  
NORMALLY CLOSED (NC) BELOW 375°F - P/N 3103-0061  
NORMALLY CLOSED (NC) BELOW 550°F - P/N 3103-0005
  3. LOW TEMP ALARM OPTIONS (TS2 & TS4):  
NORMALLY CLOSED (NC) BELOW 225°F (YELLOW LEADS) - P/N 3103-0013  
NORMALLY OPEN (NO) BELOW 225°F (BLUE LEADS) - P/N 3103-0012
- CHASSIS GROUND MINIMUM WIRE SIZE 14AWG GREEN/YELLOW WIRE.
4. REMOTE CHAMBER HEATER CONTROL OPTION WILL REQUIRE LABEL P/N 5001-0217 TO BE ATTACHED TO BACK PLATE PARALLEL TO TB1; AND THAT TEMPERATURE BE REGULATED WITH A TEMPERATURE CONTROLLING DEVICE. VERIFY THAT THE VOLTAGE BEING SUPPLIED MATCHES THE VOLTAGE RATING ON THE SERIAL TAG.
5. DIODE NEEDED FOR 24V SOLENOIDS: P/N 1000-0009; MOV FOR AC SOLENOIDS: P/N 1010-1001.
6. ENCLOSURE HEATER (HTR3) SPECIFICATIONS:  
115 VAC : 250 W, P/N 3014-0066  
230 VAC : 300 W, P/N 3014-0067
  7. SEE P1081 FOR ENCLOSURE HEATER ASSEMBLY & INSULATION INSTRUCTIONS.
  8. SEE A0562 FOR HEATED ACCUMULATOR PARTS.

Web Doc

				P.3	12/03/20	REMOVE TS 375°F AND 550°F ON BV1	NCU	GE
<b>MODEL 270SF W/ HEATED BLOWBACK HEATED ENCLOSURE WIRING SCHEMATICS</b>		<b>REVISIONS</b>		REV	DATE	DESCRIPTION	DWN	APVD
DATE: 06/23/2006		SCALE: NTS		SIZE: D		SHEET: 8 OF 8		
PART NO.: 270SF		FOR: INSTRUMENT		DRAWN BY: R. Wells		ECO#: -		DRAWING NO.: P1082
				APVD BY: G. Evans				

FIELD TO WIRE