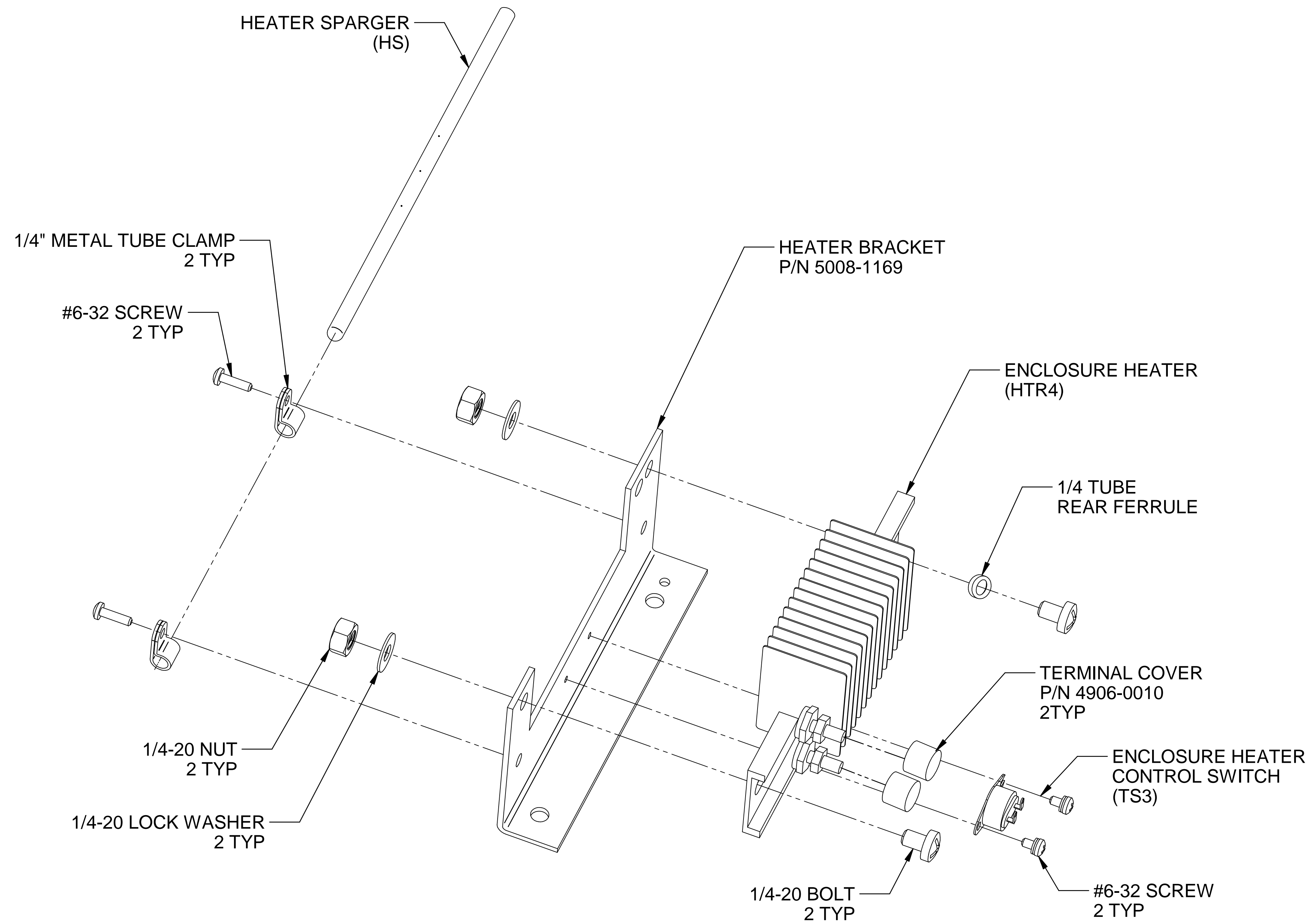


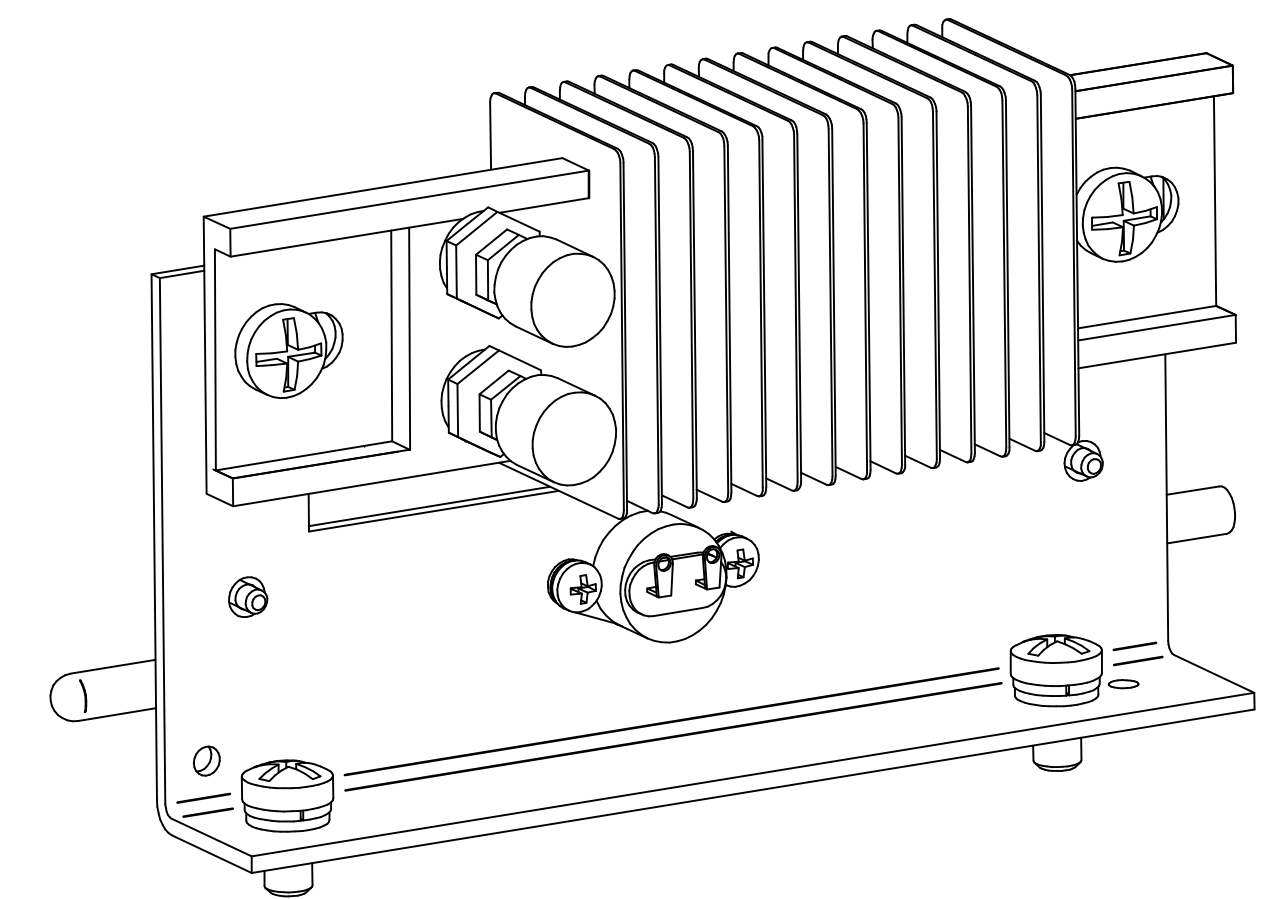
CONFIGURATION OPTIONS		
OPTION	DESCRIPTION	DWG.
-H	Z-PURGE HORIZONTAL	P1218
-V	Z-PURGE VERTICAL	
-A	AMMONIA CONVERTER	P1376
-HR	TERMINALS FOR HEATED PROBE ASSEMBLY	P1412
-HJ		
-HK		
-xy	EXTENDED LENGTH PROBE TUBE SUPPORT x= LENGTH (2 - 5FT.) y= MATERIAL (S= 316SS) (C= C276) (T= 310SS)	P1445

Web Doc

5200 Conwair Drive Carson City, NV 89706 PH(775)883-2500 FAX (775)883-6388		Q.3	12/03/20	REMOVE TS 375°F AND 550°F ON BV1	NCU	GE
		REV	DATE	DESCRIPTION	DWN	APVD
MODEL 270SF W/ HEATED ENCLOSURE LAYOUT		REVISIONS				
PART NO.	FOR	DATE	SCALE	SIZE	SHEET	
270SF	INSTRUMENT	06/23/2006	NTS	D	1 OF 8	
		DRAWN BY	R. Wells	ECO#	DRAWING NO.	
		APVD BY	G. Evans	-	P1081	



EXPLODED VIEW





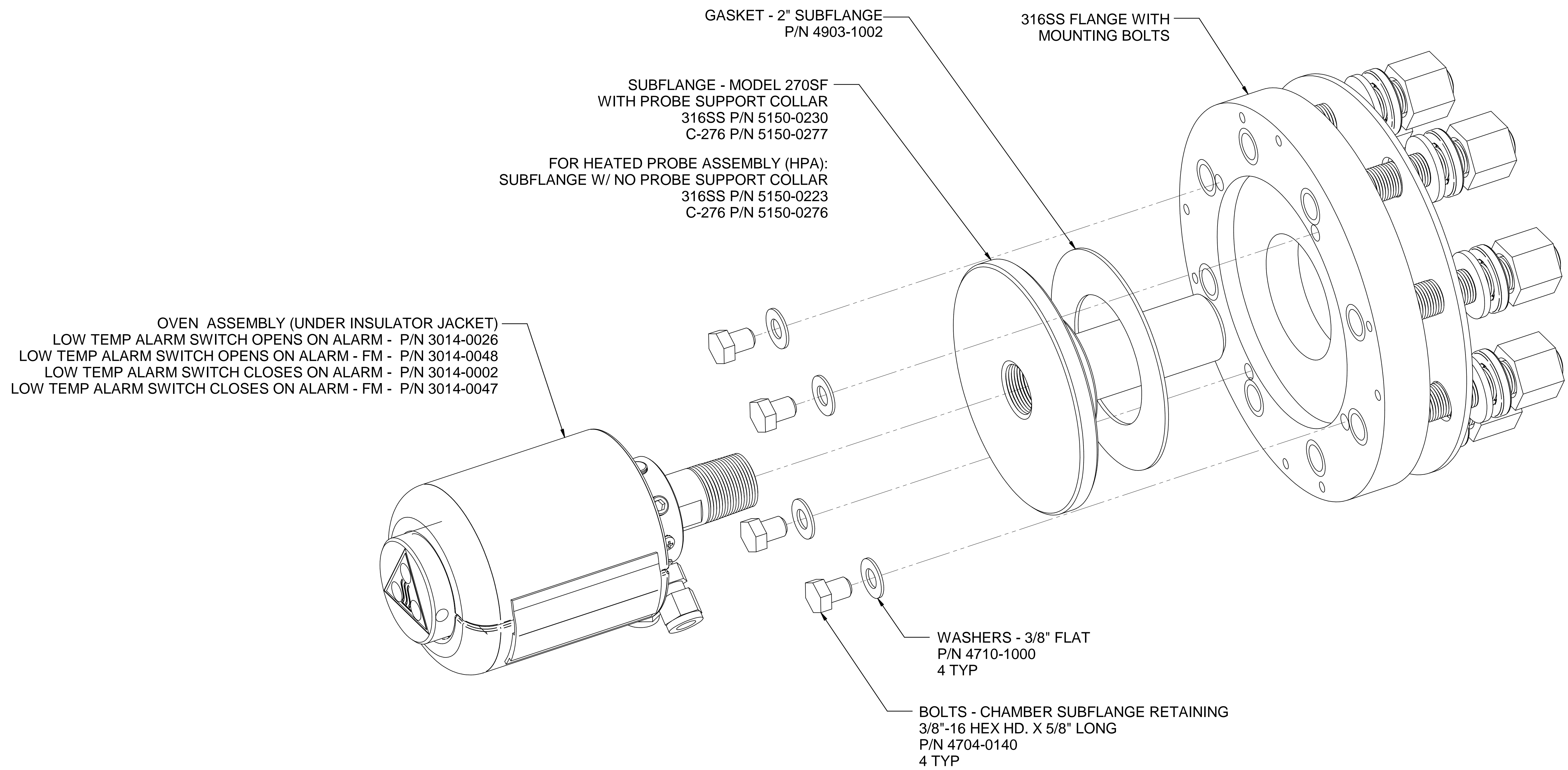
ASSEMBLED VIEW

NOTES:



- 1). ORIENT HEATER SPARGER HOLES SO THEY DIRECT AIR IN BETWEEN HEATER FINS.

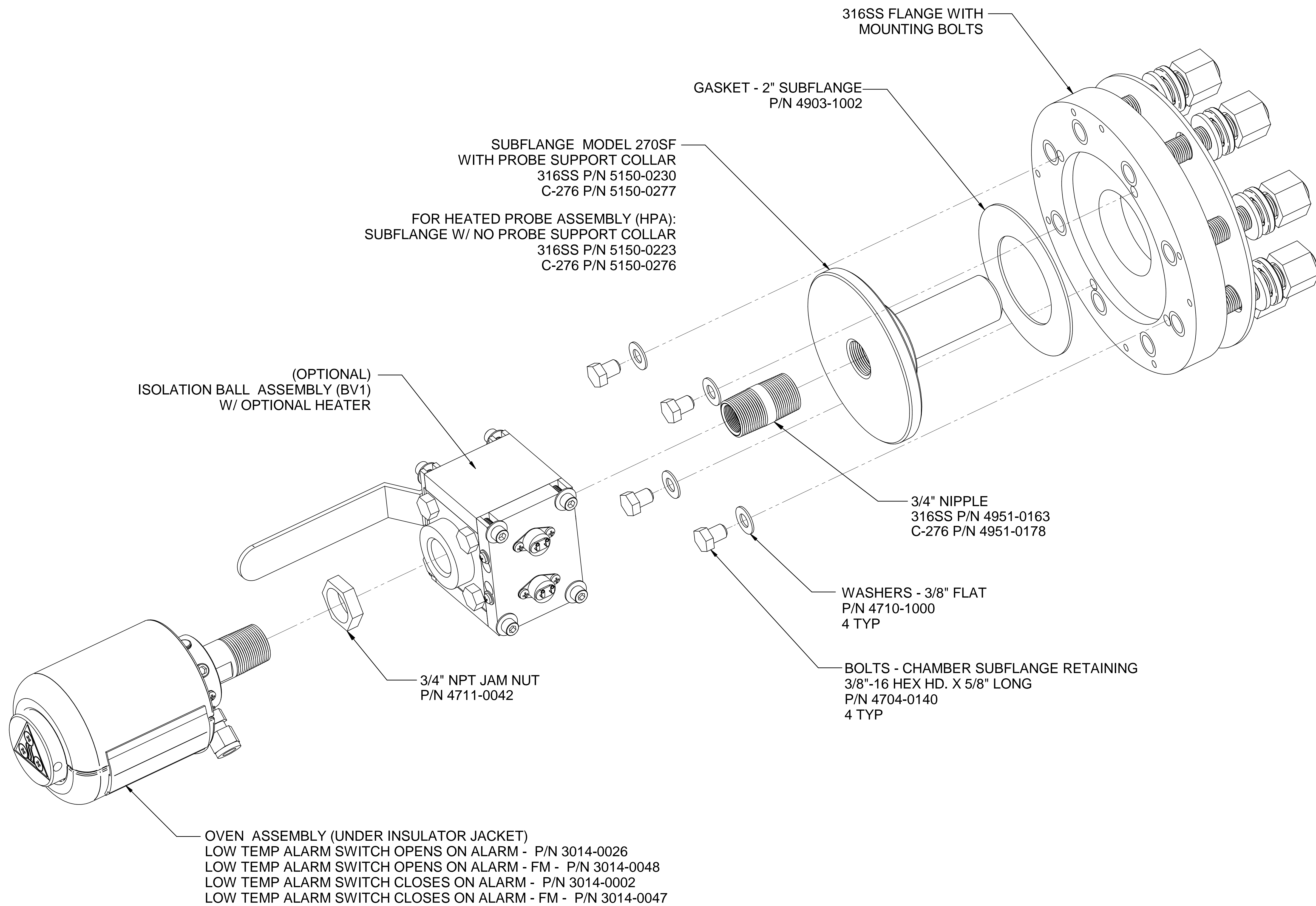
Web Doc

 		Q.3	12/03/20	REMOVE TS 375°F AND 550°F ON BV1	NCU	GE
REV	DATE	DESCRIPTION			DWN	APVD
REVISIONS						
MODEL 270SF W/ HEATED ENCLOSURE		DATE	SCALE	SIZE	SHEET	
ENCLOSURE HEATER ASSEMBLY		06/23/2006	NTS	D	2 OF 8	
PART NO.	FOR	DRAWN BY	R. Wells	ECO#	DRAWING NO.	
270SF	INSTRUMENT	APVD BY	G. Evans	-	P1081	





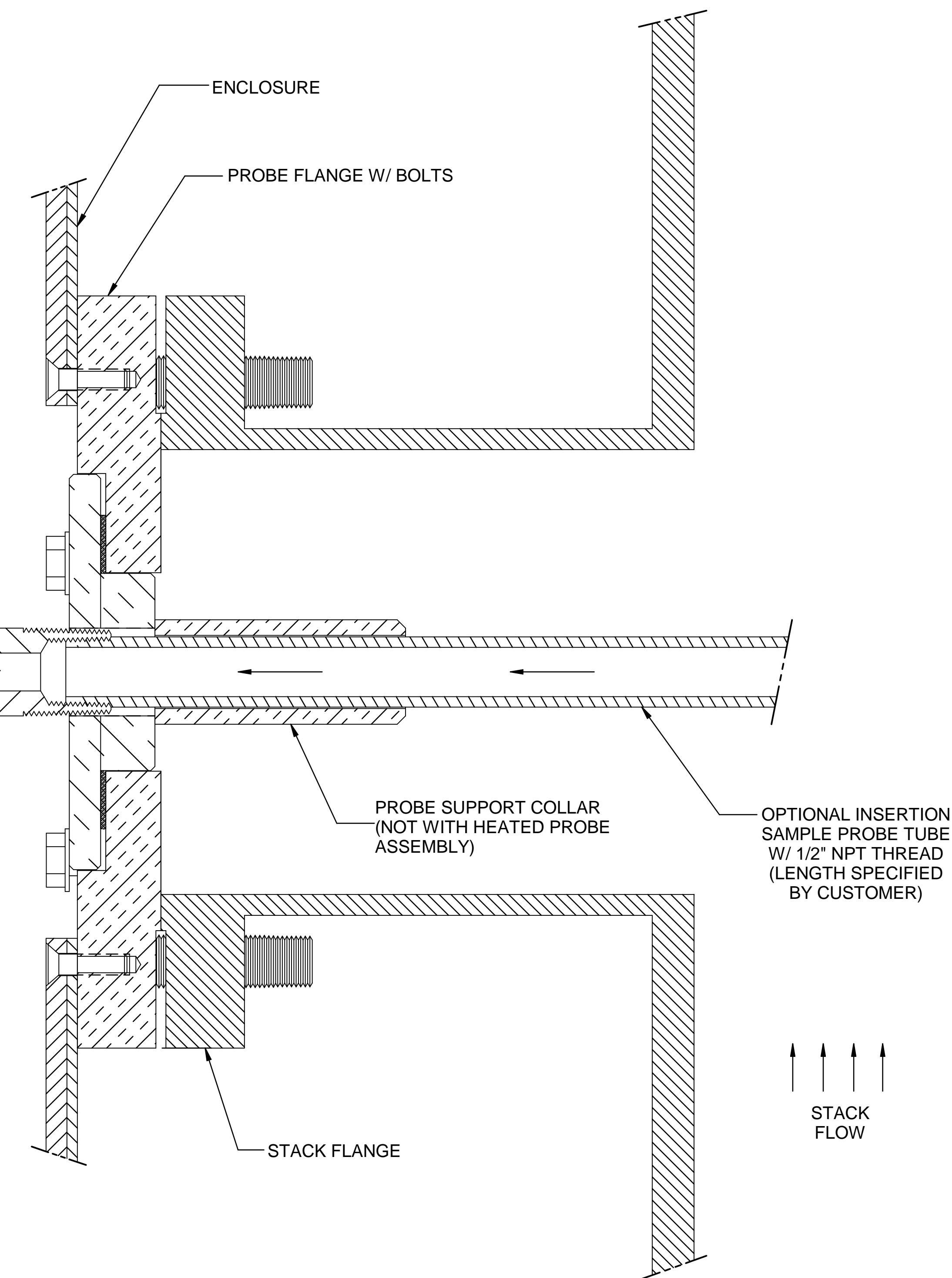
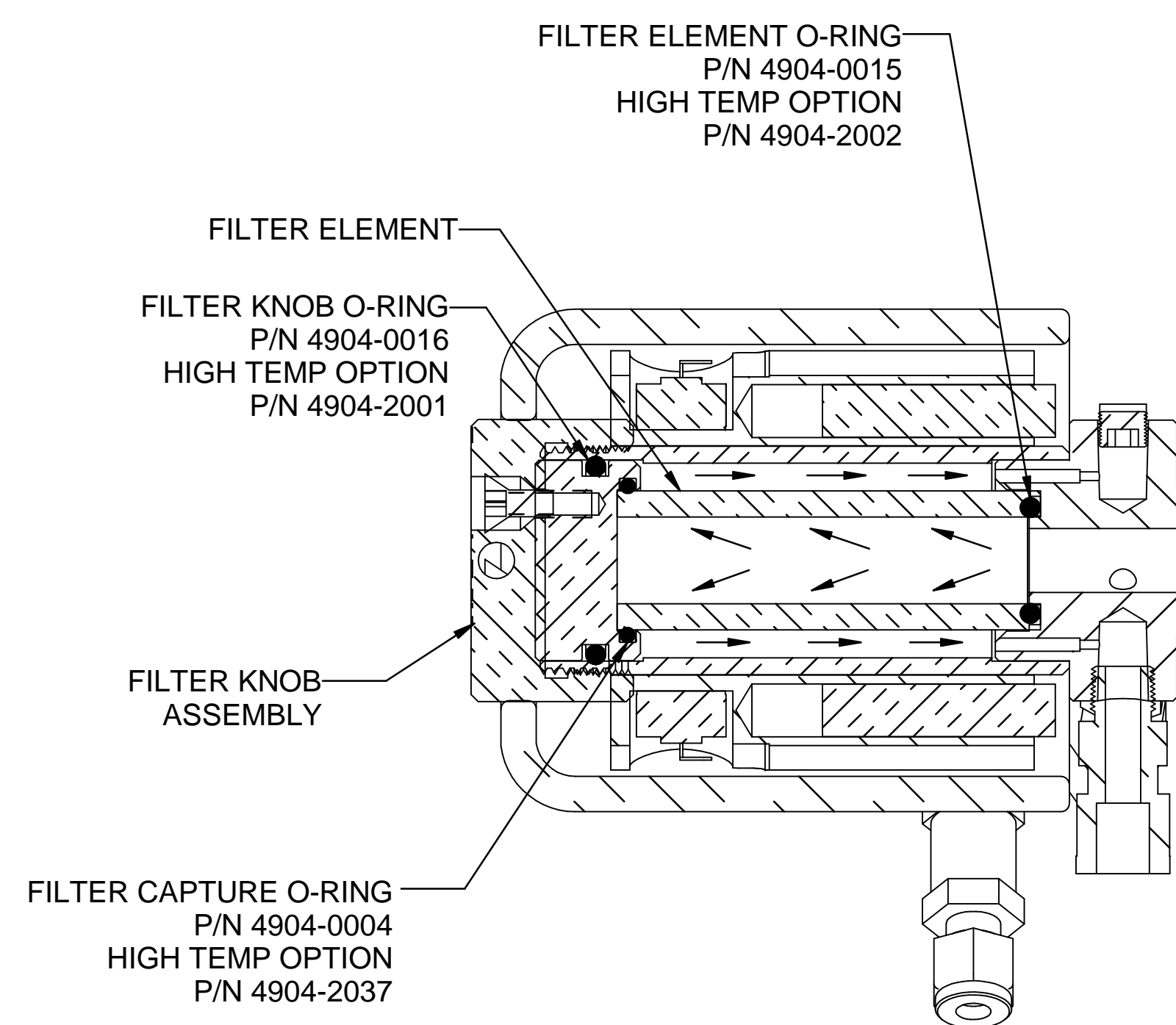
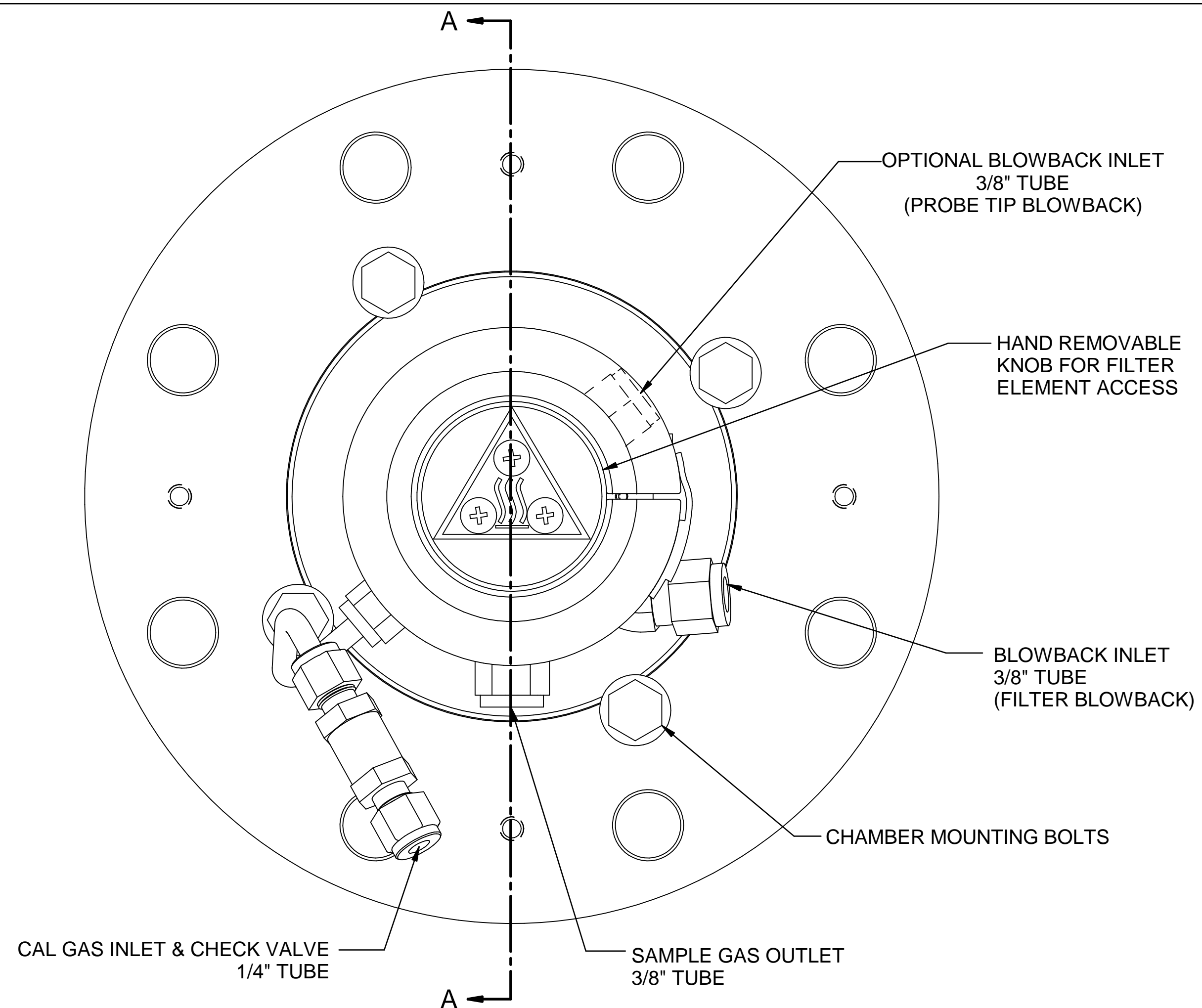
Web Doc

 		Q.3	12/03/20	REMOVE TS 375°F AND 550°F ON BV1	NCU	GE
REV	DATE	DESCRIPTION			DWN	APVD
REVISIONS						
MODEL 270SF W/ HEATED ENCLOSURE FLANGE ASSEMBLY		DATE	SCALE	SIZE	SHEET	
		06/23/2006	NTS	D	3 OF 8	
PART NO.	FOR	DRAWN BY	R. Wells	ECO#	DRAWING NO.	
270SF	INSTRUMENT	APVD BY	G. Evans	-	P1081	

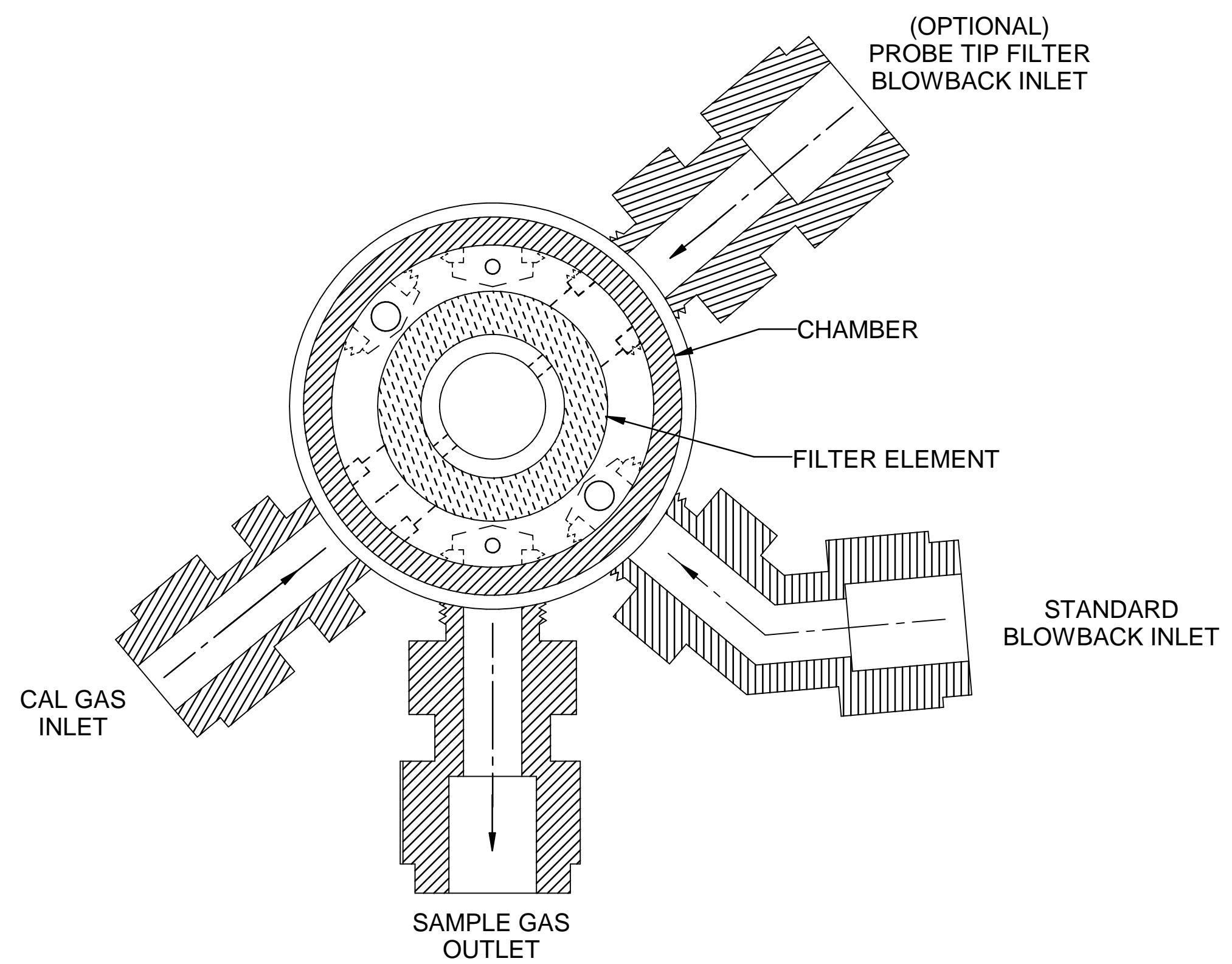


Web Doc

 		Q.3	12/03/20	REMOVE TS 375°F AND 550°F ON BV1	NCU	GE
REV	DATE	DESCRIPTION			DWN	APVD
REVISIONS						
MODEL 270SF W/ HEATED ENCLOSURE FLANGE ASSEMBLY		DATE	SCALE	SIZE	SHEET	
		06/23/2006	NTS	D	4 OF 8	
PART NO.	FOR	DRAWN BY	ECO#	DRAWING NO.		
270SF	INSTRUMENT	R. Wells	-	P1081		
		APVD BY	G. Evans			



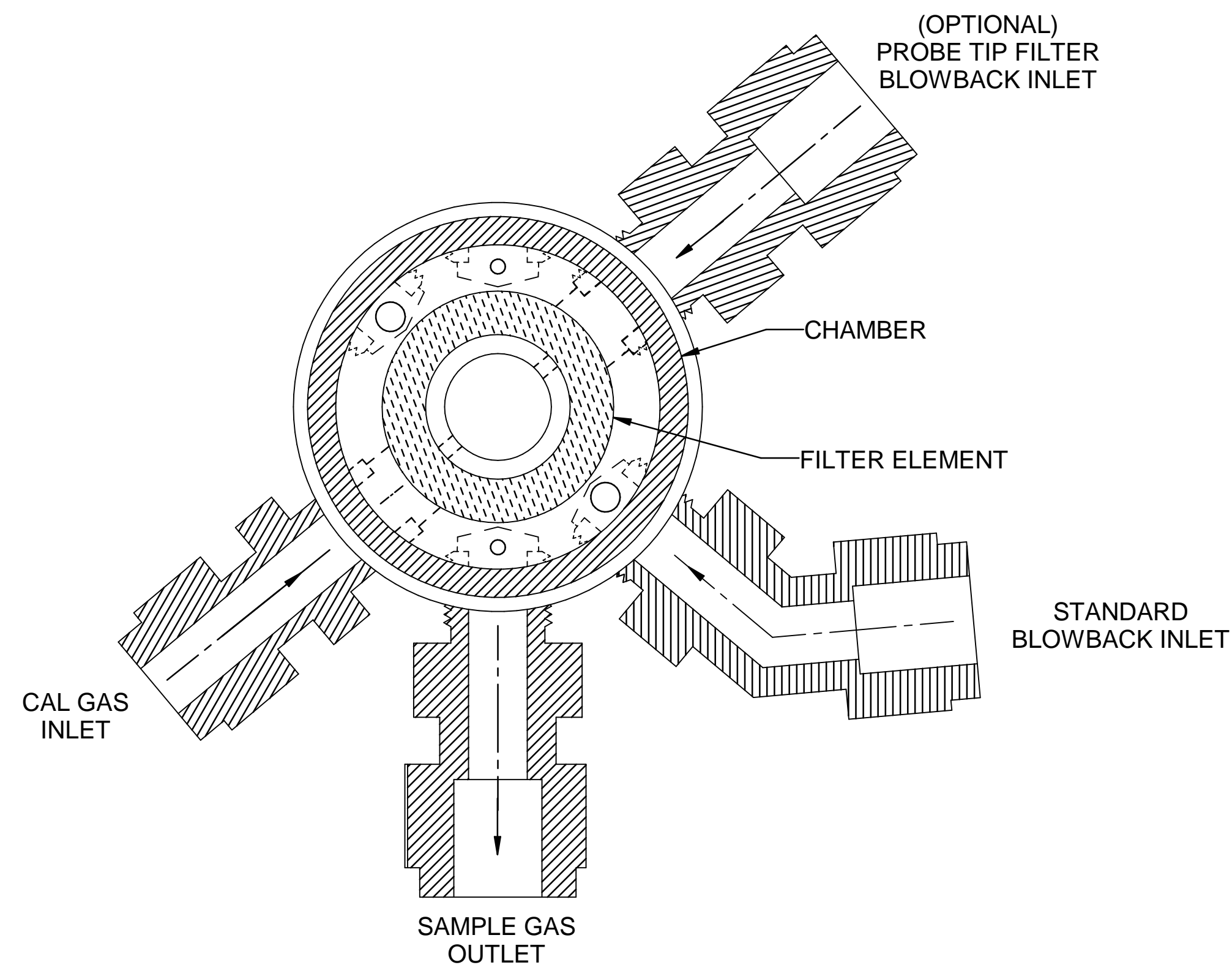
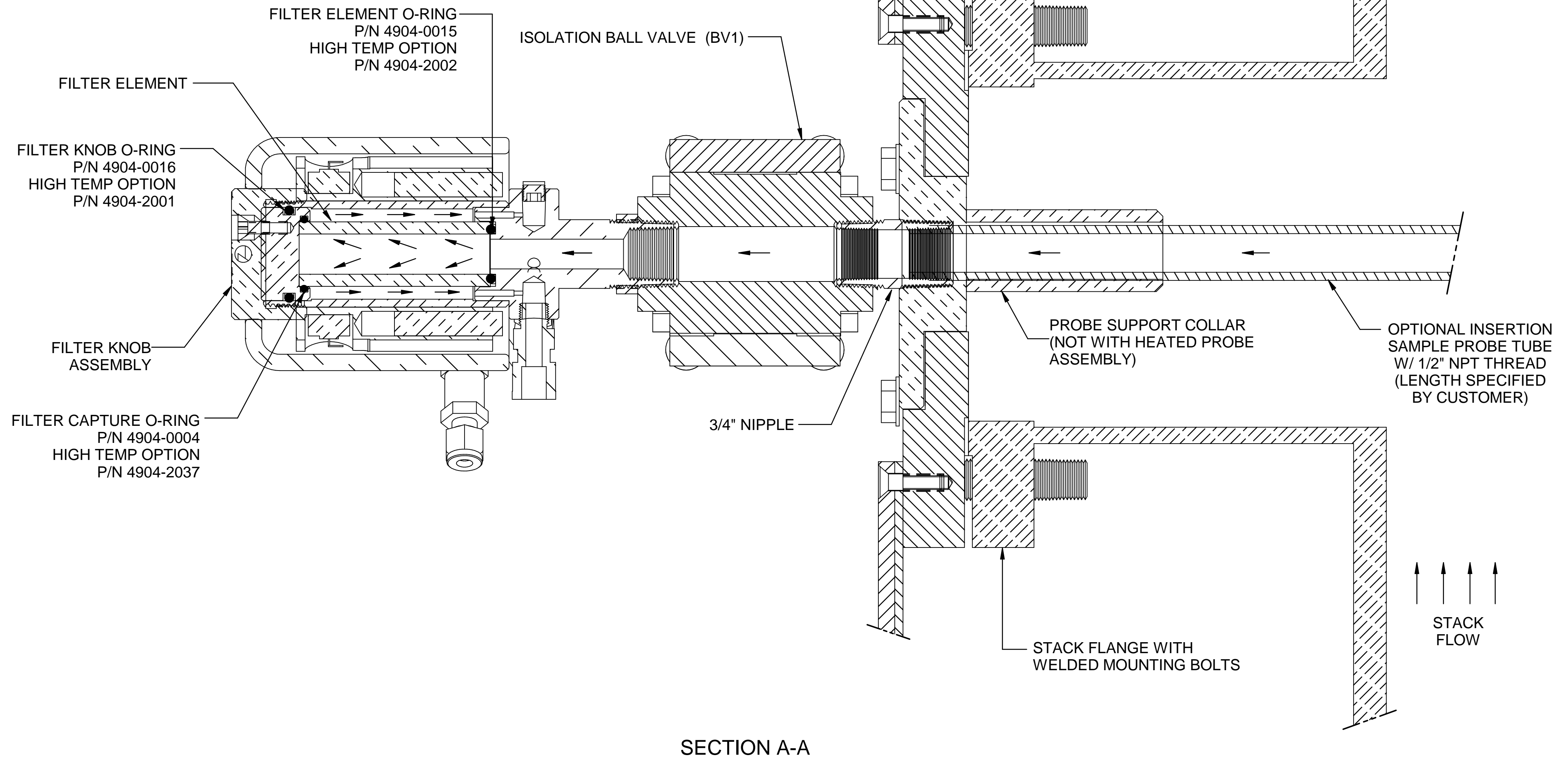
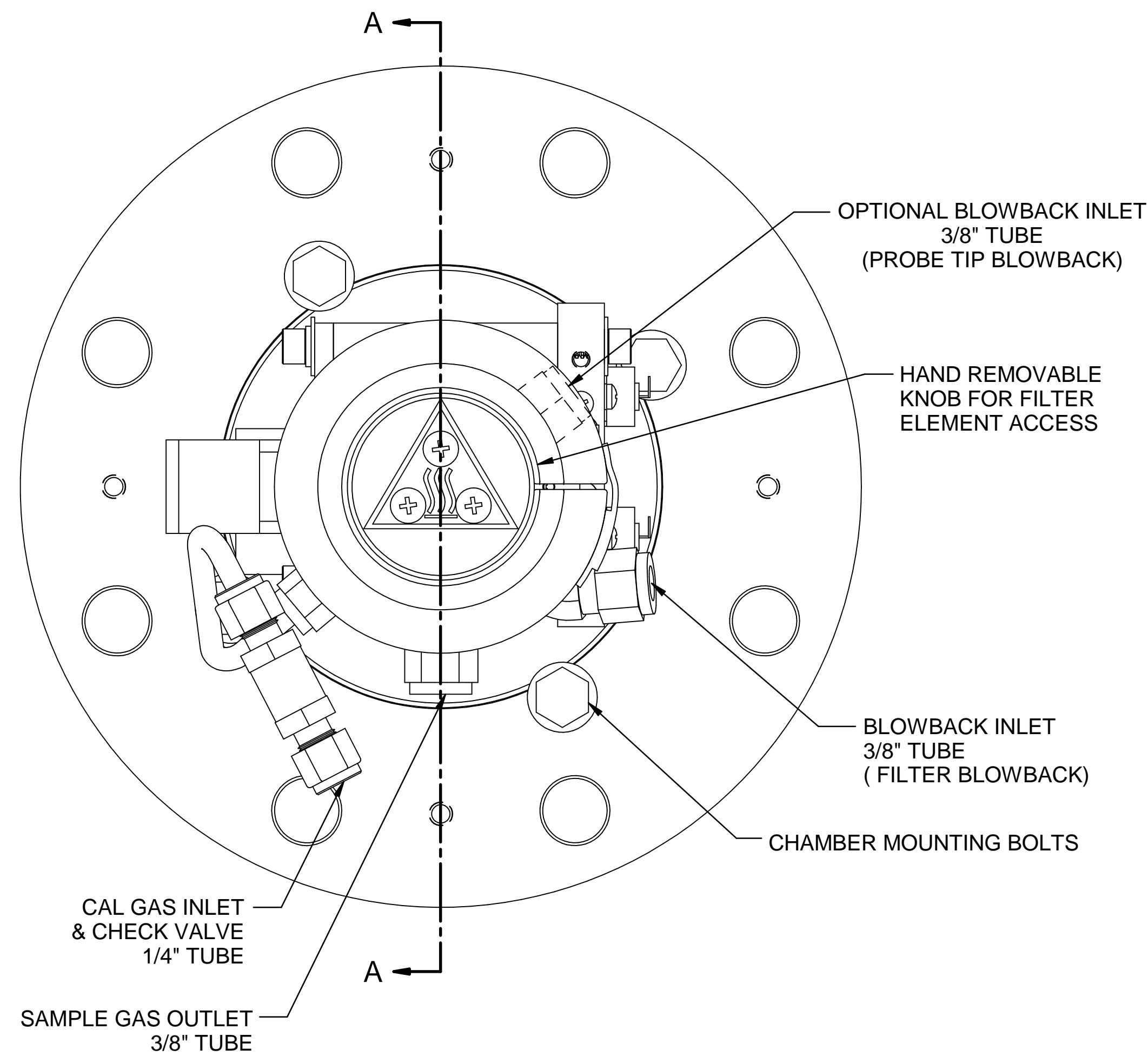
SECTION A-A



INTERNAL PORTING CONFIGURATION

Web Doc

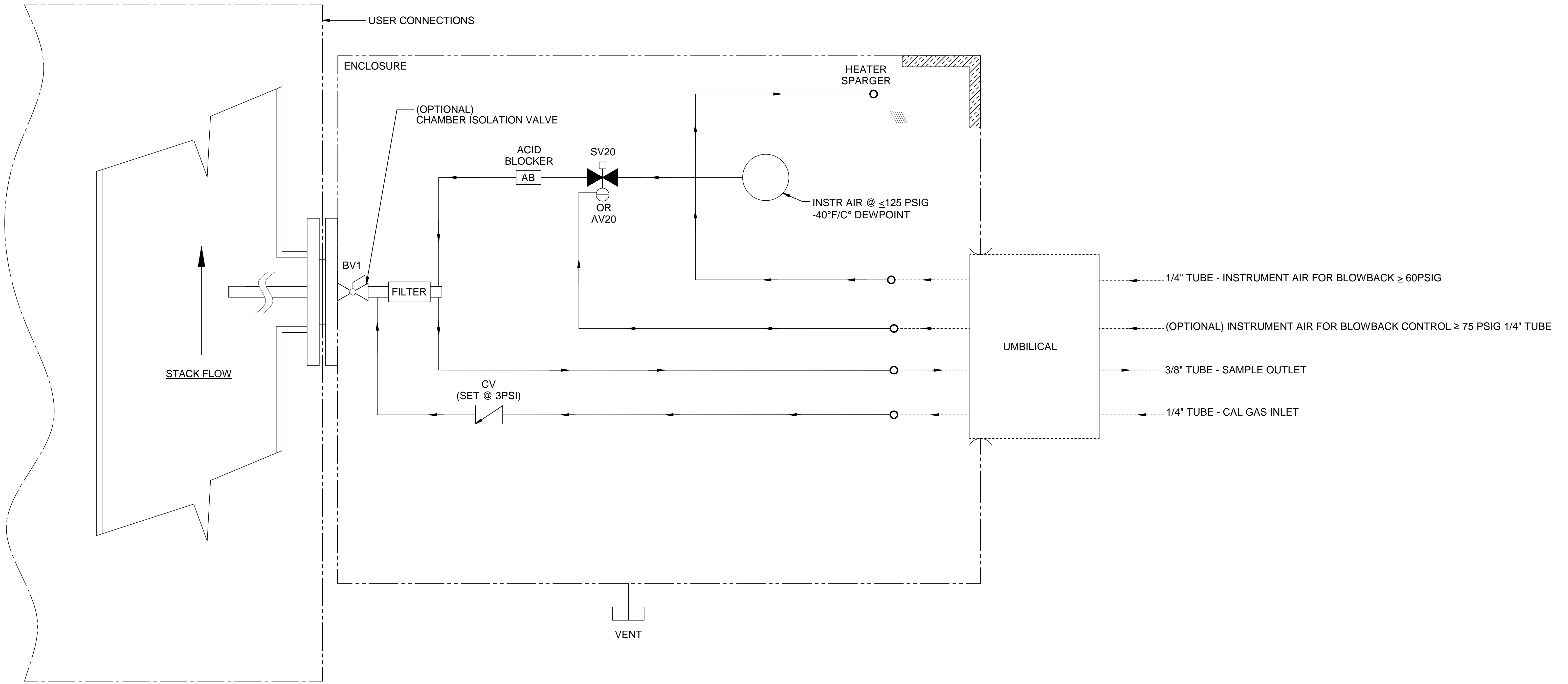
5200 Conwair Drive Carson City, NV 89706 PH(775)883-2500 FAX (775)883-6388		Q.3	12/03/20	REMOVE TS 375°F AND 550°F ON BV1	NCU	GE
		REV	DATE	DESCRIPTION	DWN	APVD
MODEL 270SF W/ HEATED ENCLOSURE FILTER CHAMBER CROSS-SECTION		REVISIONS				
PART NO.	FOR	DATE	SCALE	SIZE	SHEET	
270SF	INSTRUMENT	06/23/2006	NTS	D	5 OF 8	
		DRAWN BY	R. Wells	ECO#	DRAWING NO.	
		APVD BY	G. Evans	-	P1081	



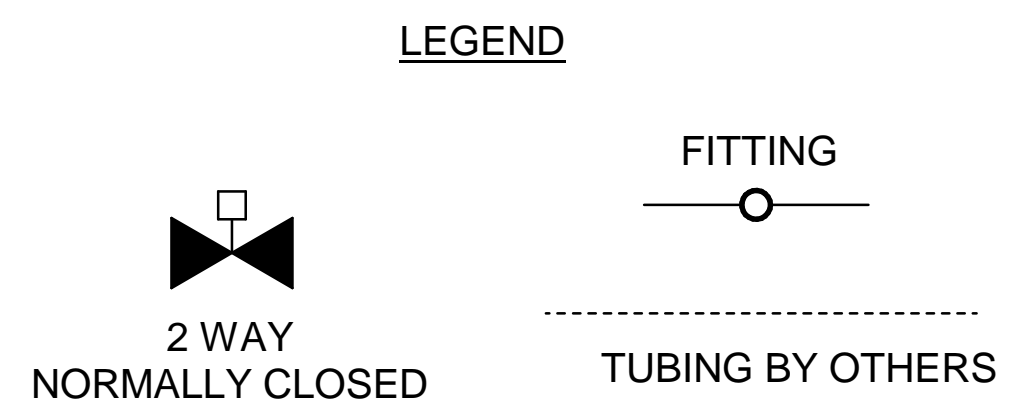
INTERNAL PORTING CONFIGURATION

Web Doc

		Q.3	12/03/20	REMOVE TS 375°F AND 550°F ON BV1	NCU	GE
REV	DATE	DESCRIPTION			DWN	APVD
MODEL 270SF W/ HEATED ENCLOSURE FILTER CHAMBER CROSS-SECTION						
PART NO.		FOR		DATE	SCALE	SIZE
270SF		INSTRUMENT		06/23/2006	NTS	D
DRAWN BY		R. Wells		ECO#	SHEET	
APVD BY		G. Evans		-	6 OF 8	
					DRAWING NO.	
					P1081	



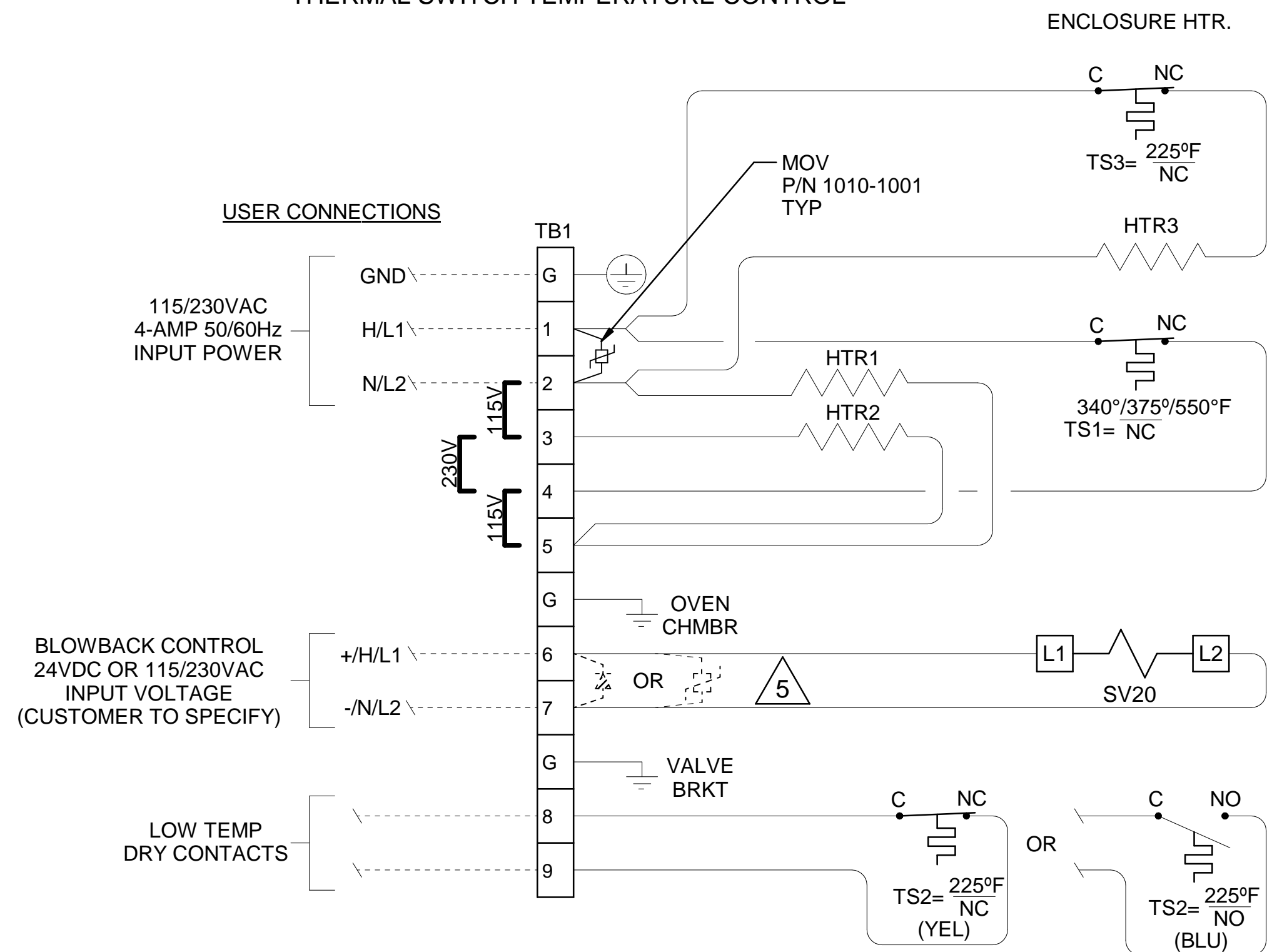
ITEM	QTY	DESCRIPTION	UAI PART NO.
AB	1	ACID BLOCKER	5110-0015
ACC	1	ACCUMULATOR, 7"	4956-1002
AV20	1	PNEUMATIC VALVE, 2-WAY	4955-0256
BV1	1	VALVE, BALL 3/4" FOR SFU, SFV CONFIGURATIONS	4955-1042-SW
BV1	1	VALVE, BALL 3/4" FOR NFU, NFV CONFIGURATIONS	4955-1042-SW-SN
BV1	1	VALVE, BALL 3/4" FOR SHFU, SHFV CONFIGURATIONS	4955-0269
BV1	1	VALVE, BALL 3/4" FOR NHFU, NHFV CONFIGURATIONS	4955-0269-SN
BV1	1	VALVE, BALL 3/4" FOR CFU, CFV CONFIGURATIONS	4955-1058-SW
BV1	1	VALVE, BALL 3/4" FOR CHFU, CHFV CONFIGURATIONS	4955-1061-SW
CV	1	CHECK VALVE, 1/4" TUBE	4955-0148
SV20	1	VALVE, SOLENOID, 2-WAY, 24 VDC	4955-0010
SV20	1	VALVE, SOLENOID, 2-WAY, 115 VAC	4955-0002
SV20	1	VALVE, SOLENOID, 2-WAY, 230 VAC	4955-0005



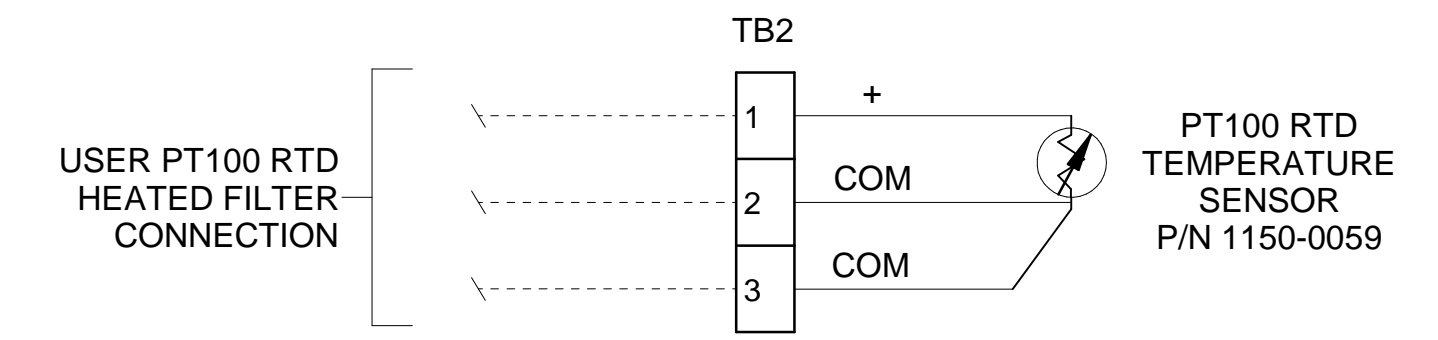
Web Doc

		Q.3	12/03/20	REMOVE TS 375°F AND 550°F ON BV1	NCU	GE
MODEL 270SF W/ HEATED ENCLOSURE P&ID		REV	DATE	DESCRIPTION	DWN	APVD
PART NO. 270SF		DATE 06/23/2006		SCALE NTS	SIZE D	SHEET 7 OF 8
FOR INSTRUMENT		DRAWN BY R. Wells		ECO# -	DRAWING NO. P1081	
		APVD BY G. Evans				

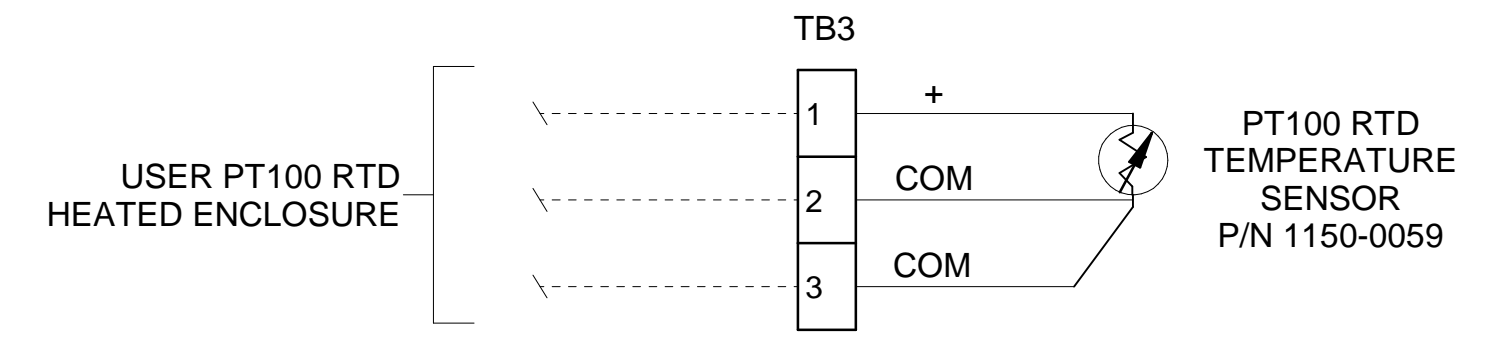
THERMAL SWITCH TEMPERATURE CONTROL



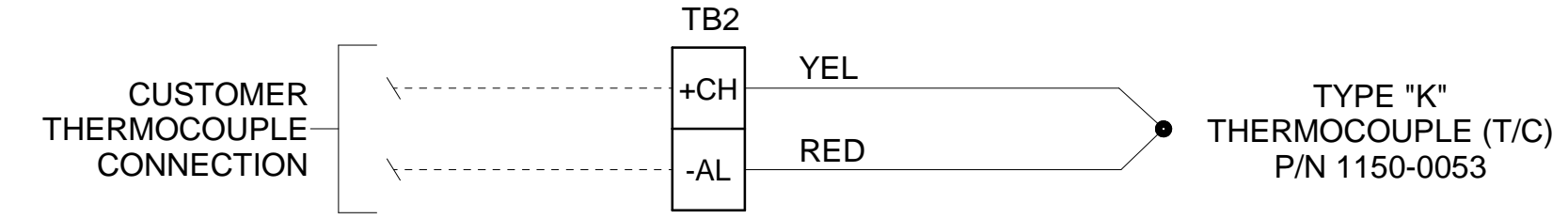
OPTIONAL PT100 RTD FOR REMOTE FILTER HEATER TEMPERATURE MONITORING / CONTROL



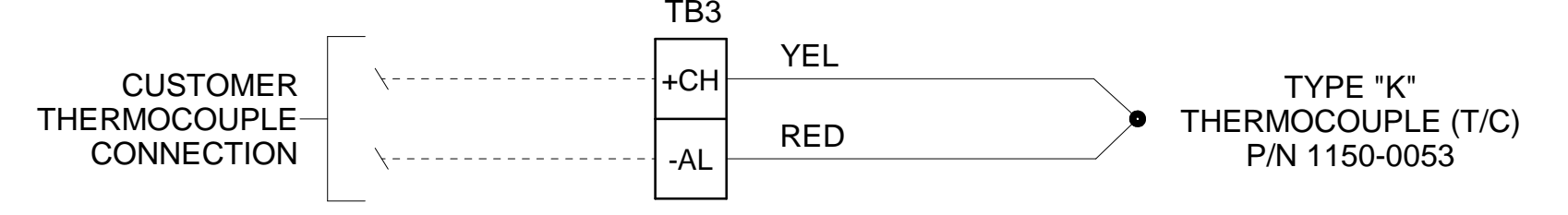
OPTIONAL PT100 RTD FOR REMOTE HEATED ENCLOSURE MONITORING / CONTROL



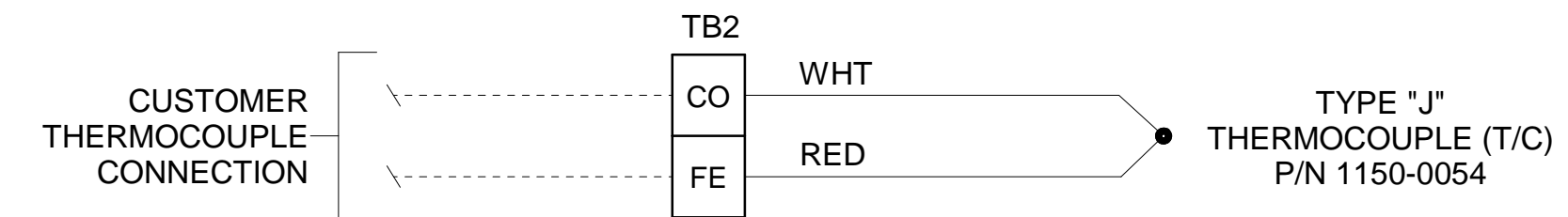
THERMOCOUPLE FOR REMOTE FILTER HEATER MONITORING/CONTROL TERMINAL BLOCK P/N +CH = 3304-0167 -AL = 3304-0168



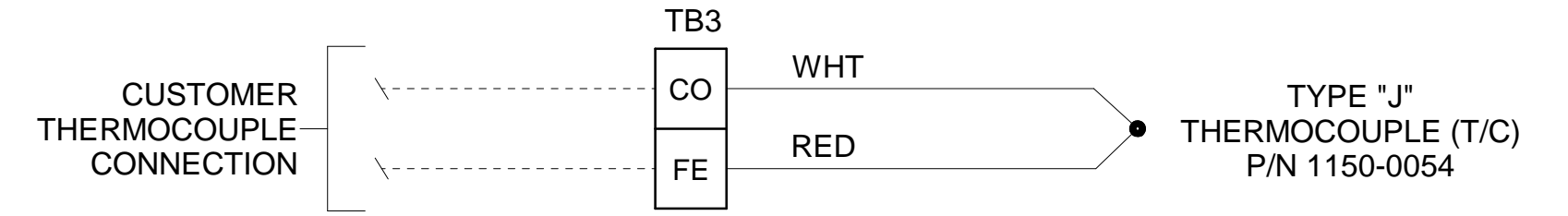
THERMOCOUPLE FOR REMOTE HEATED ENCLOSURE MONITORING/CONTROL TERMINAL BLOCK P/N +CH = 3304-0167 -AL = 3304-0168



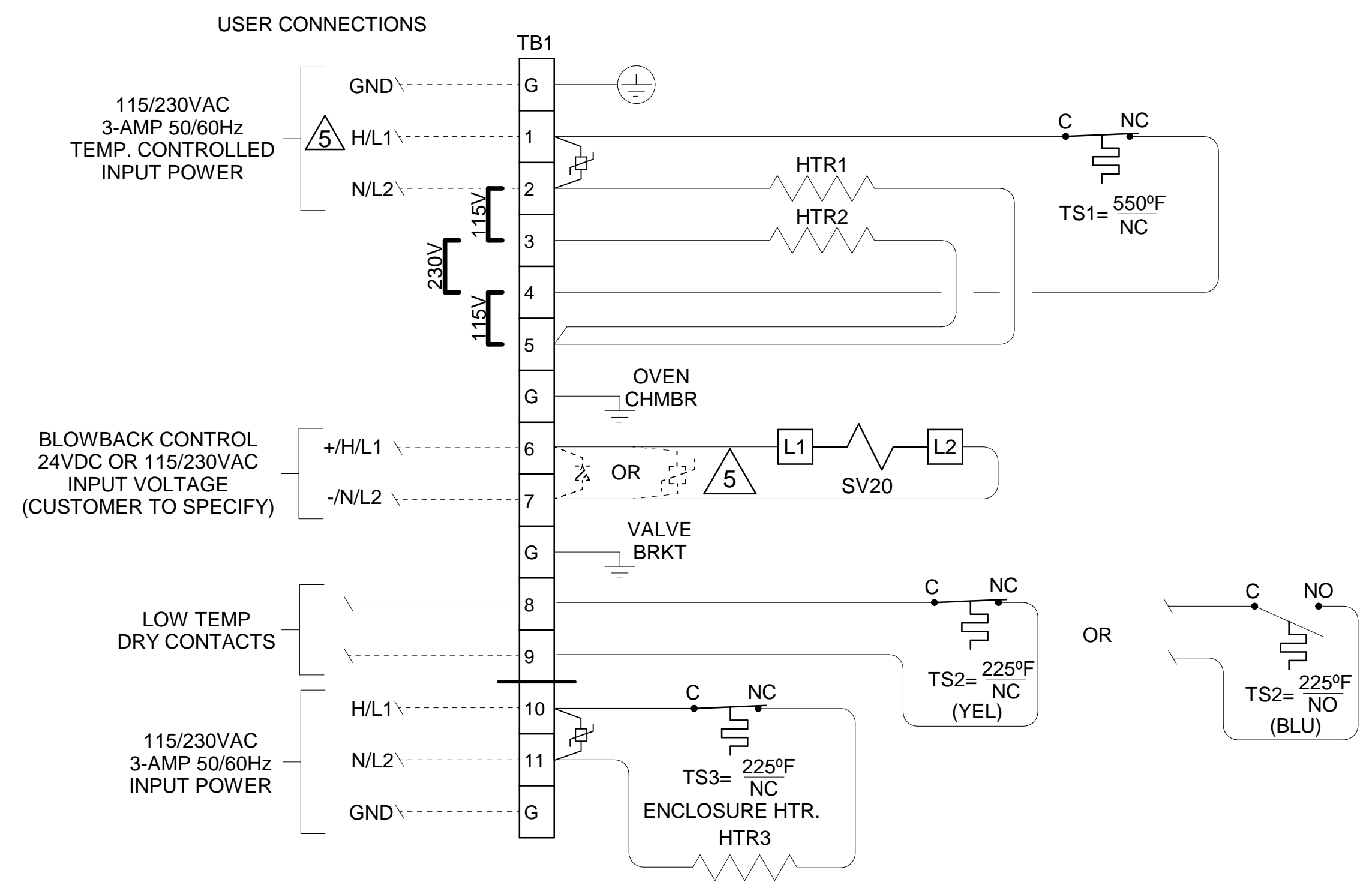
THERMOCOUPLE FOR REMOTE FILTER HEATER MONITORING/CONTROL TERMINAL BLOCK P/N +CH = 3304-0167 -AL = 3304-0168



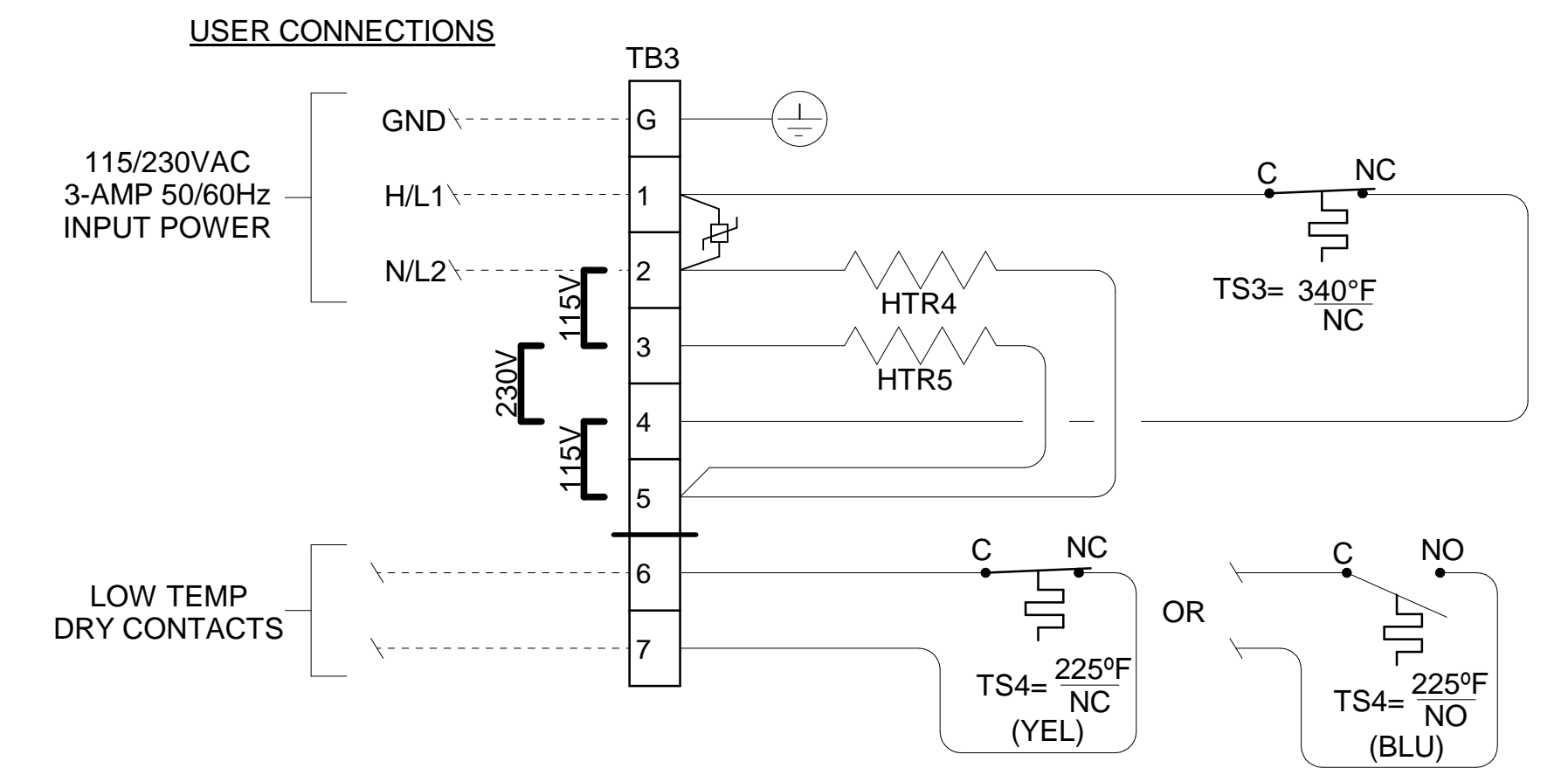
THERMOCOUPLE FOR REMOTE HEATED ENCLOSURE MONITORING/CONTROL TERMINAL BLOCK P/N +CH = 3304-0167 -AL = 3304-0168



REMOTE TEMPERATURE CONTROL



OPTIONAL BALL VALVE (BV1) THERMAL SWITCH TEMP CONTROL



- NOTES:**
1. FILTER HEATER ROD SPECIFICATIONS (HTR1,2,4,5):
3/8" Ø X 1.5" LG @ 63 WATT/115VAC - P/N 3014-0046
 2. OVEN TEMP. CONTROL OPTIONS (TS1 & TS3):
NORMALLY CLOSED (NC) BELOW 340°F - P/N 3103-0014
NORMALLY CLOSED (NC) BELOW 375°F - P/N 3103-0061
NORMALLY CLOSED (NC) BELOW 550°F - P/N 3103-0005
 3. LOW TEMP ALARM OPTIONS (TS2 & TS4):
NORMALLY CLOSED (NC) BELOW 225°F (YELLOW LEADS) - P/N 3103-0013
NORMALLY OPEN (NO) BELOW 225°F (BLUE LEADS) - P/N 3103-0012
- CHASSIS GROUND MINIMUM WIRE SIZE 14AWG GREEN/YELLOW WIRE
4. REMOTE CHAMBER HEATER CONTROL WILL REQUIRE LABEL P/N 5001-0217 TO BE ATTACHED TO BACK PLATE PARALLEL TO TB1; AND THAT TEMPERATURE BE REGULATED WITH A TEMPERATURE CONTROLLING DEVICE. VERIFY THAT THE VOLTAGE BEING SUPPLIED MATCHES THE VOLTAGE RATING ON THE SERIAL TAG.
5. DIODE NEEDED FOR 24V SOLENOIDS: P/N 1000-0009; MOV FOR AC SOLENOIDS: P/N 1010-1001.
6. ENCLOSURE HEATER HTR3 SPECIFICATIONS:
115 VAC: 250W P/N 3014-0066
230 VAC: 300W P/N 3014-0067
 7. ENCLOSURE HEATER TEMP SWITCH (TS3):
NORMALLY CLOSED BELOW 225°F - P/N 3103-0013
 8. USE HIGH TEMPERATURE TERMINAL BLOCKS (P/N 3212-0001, 3212-0003, AND 3304-0056).

FIELD TO WIRE

Web Doc

		Q.3	12/03/20	REMOVE TS 375°F AND 550°F ON BV1	NCU	GE
MODEL 270SF W/ HEATED ENCLOSURE WIRING SCHEMATICS		REV	DATE	DESCRIPTION	DWN	APVD
PART NO. 270SF		DATE 06/23/2006		SCALE NTS	SIZE D	SHEET 8 OF 8
FOR INSTRUMENT		DRAWN BY R. Wells	ECO# -		DRAWING NO. P1081	
		APVD BY G. Evans				