

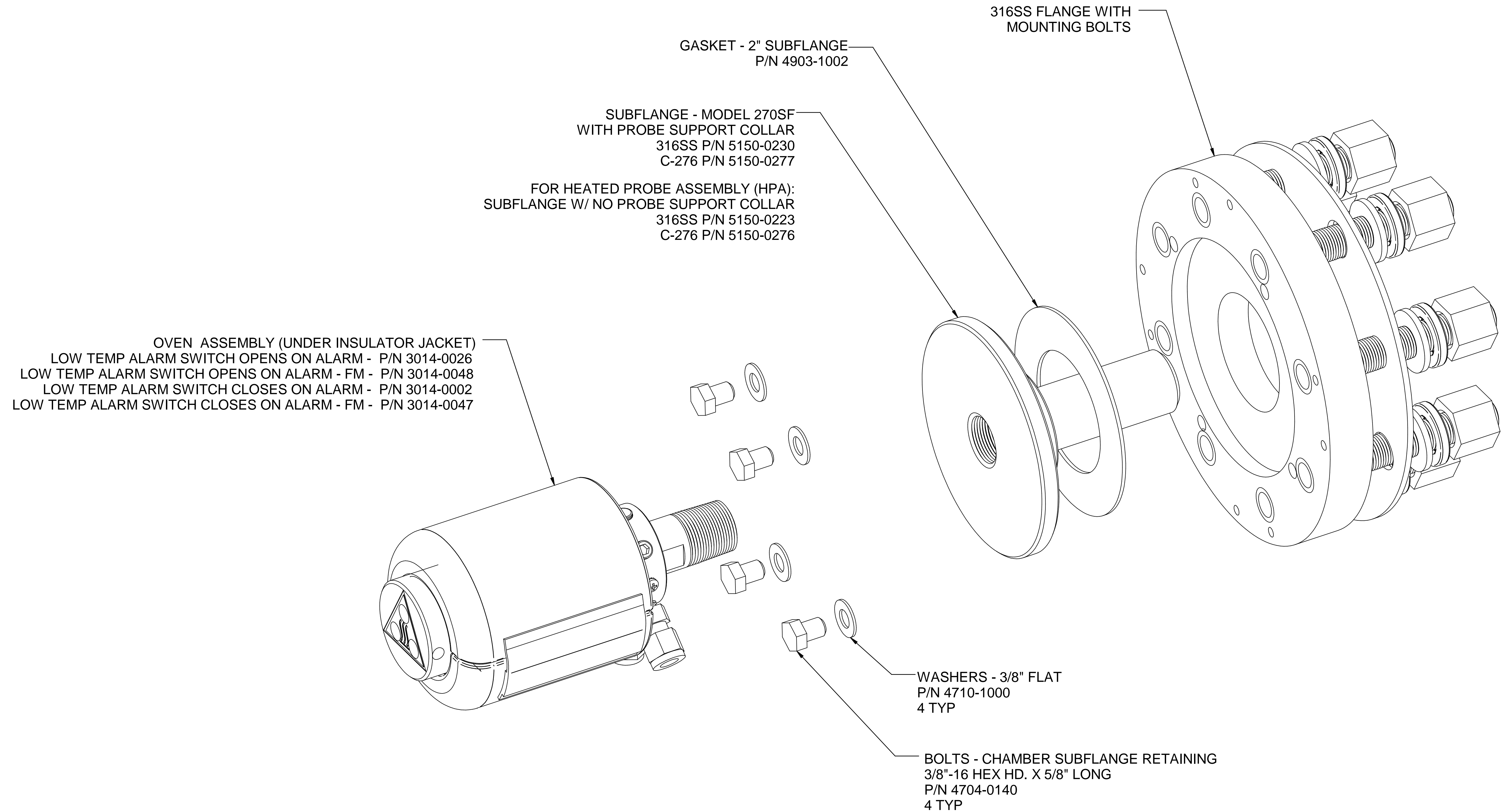




CONFIGURATION OPTIONS		
OPTION	DESCRIPTION	DWG.
-H	Z-PURGE HORIZONTAL	P1218
-V	Z-PURGE VERTICAL	
-A	AMMONIA CONVERTER	P1376
-HR	TERMINALS FOR HEATED PROBE ASSEMBLY	P1412
-HJ		
-HK		
-xy	EXTENDED LENGTH PROBE TUBE SUPPORT x= LENGTH (2 - 5FT.) y= MATERIAL (S= 316SS) (C= C276) (T= 310SS)	P1445

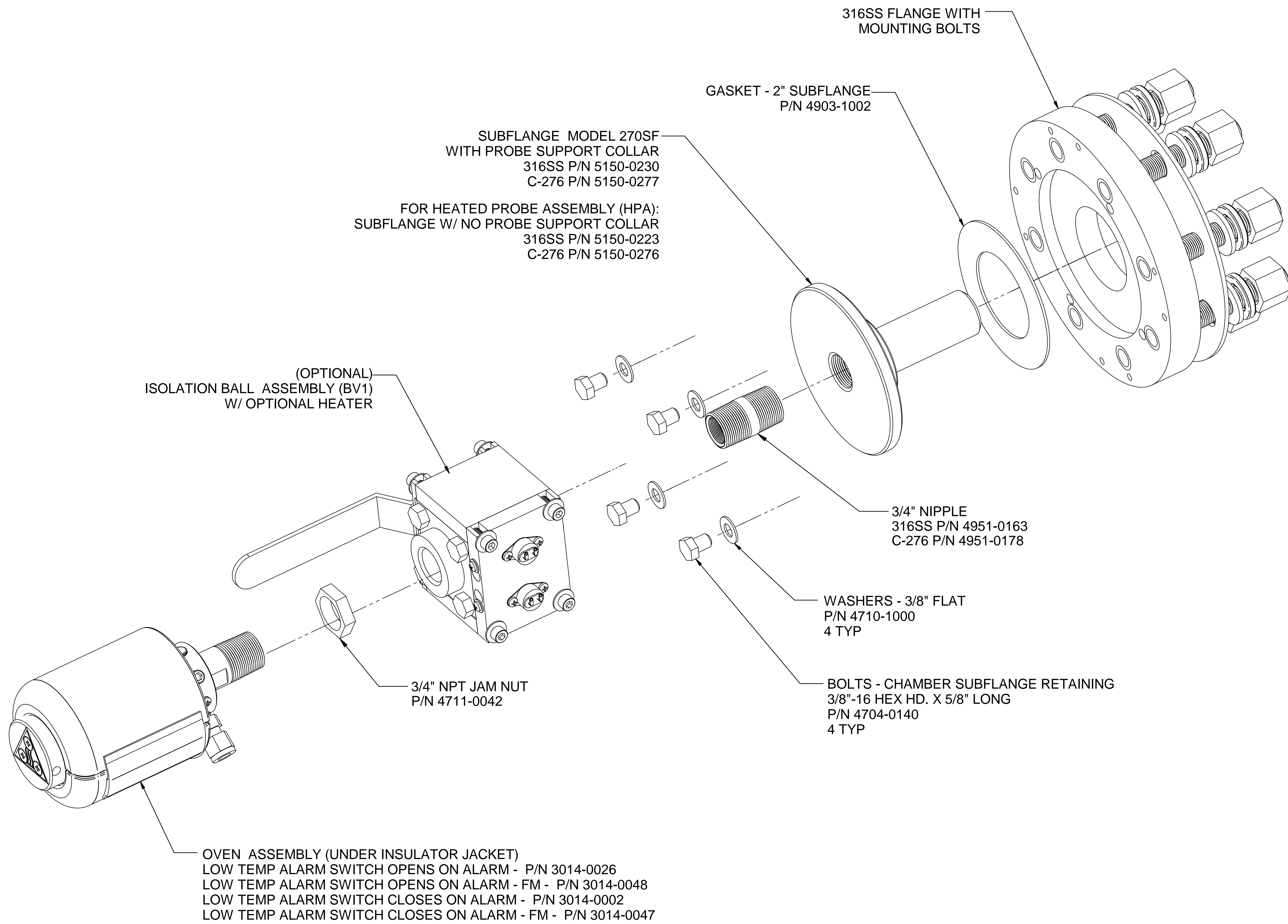
Web Doc

5200 Corvair Drive Carson City, NV 89706 PH(775)883-2500 FAX (775)883-6388		K.2	12/03/20	REMOVE TS 375°F AND 550°F ON BV1	NCU	GE
 		REV	DATE	DESCRIPTION	DWN	APVD
MODEL 270SF W/ TIMED BLOWBACK LAYOUT		REVISIONS				
PART NO. 270SF		DATE	SCALE	SIZE	SHEET	
FOR INSTRUMENT		06/23/2006	NTS	D	1 OF 7	
DRAWN BY R. Wells		APVD BY G. Evans	ECO#	DRAWING NO. P1080		





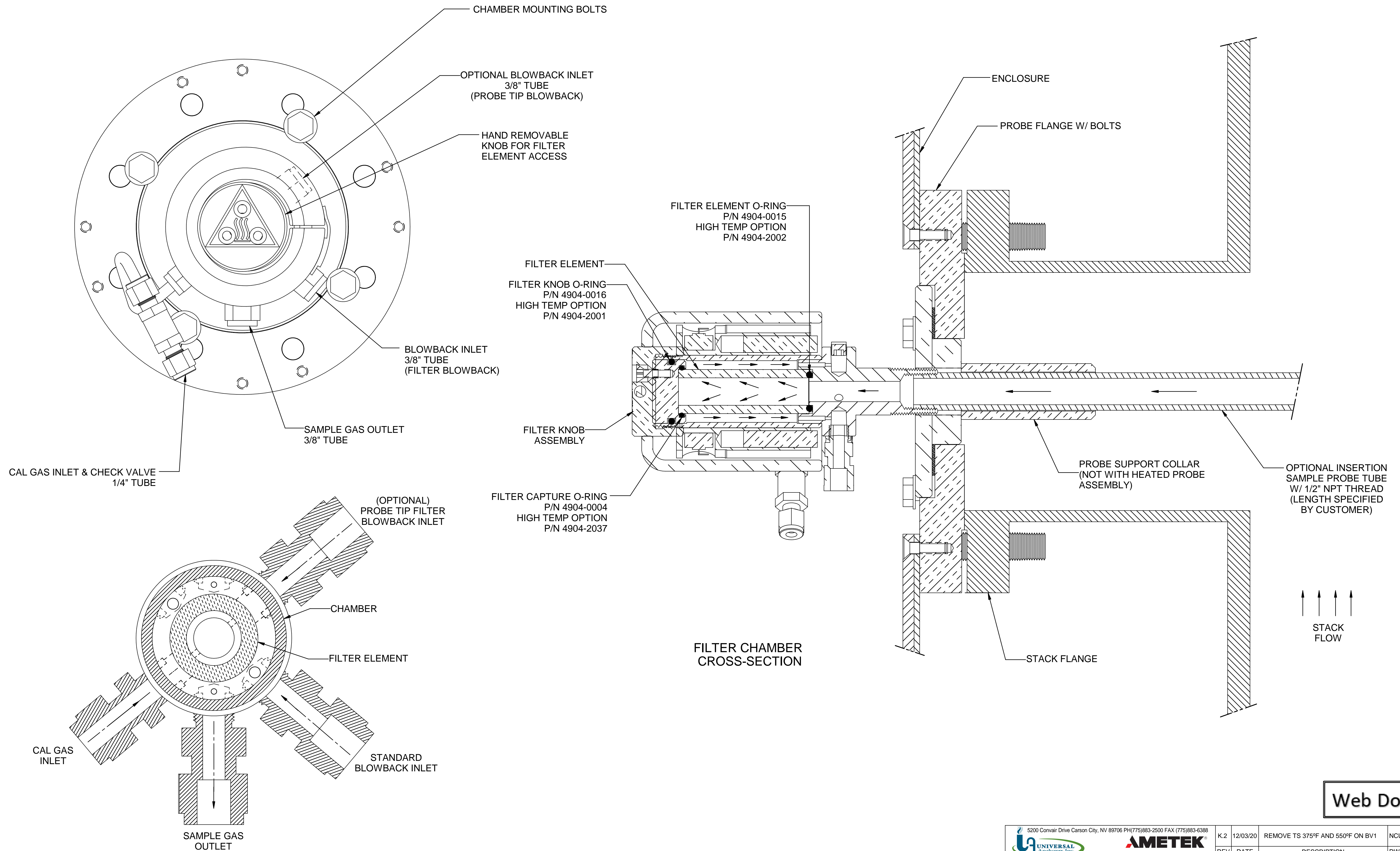
Web Doc

5200 Corvair Drive Carson City, NV 89706 PH(775)883-2500 FAX (775)883-6388		K.2	12/03/20	REMOVE TS 375°F AND 550°F ON BV1	NCU	GE
 		REV	DATE	DESCRIPTION	DWN	APVD
MODEL 270SF W/ TIMED BLOWBACK FLANGE ASSEMBLY				REVISIONS		
PART NO.		FOR		DATE	SCALE	SIZE
270SF		INSTRUMENT		06/23/2006	NTS	D
DRAWN BY		R. Wells		ECO#	SHEET	
APVD BY		G. Evans		-	2 OF 7	
						DRAWING NO.
						P1080





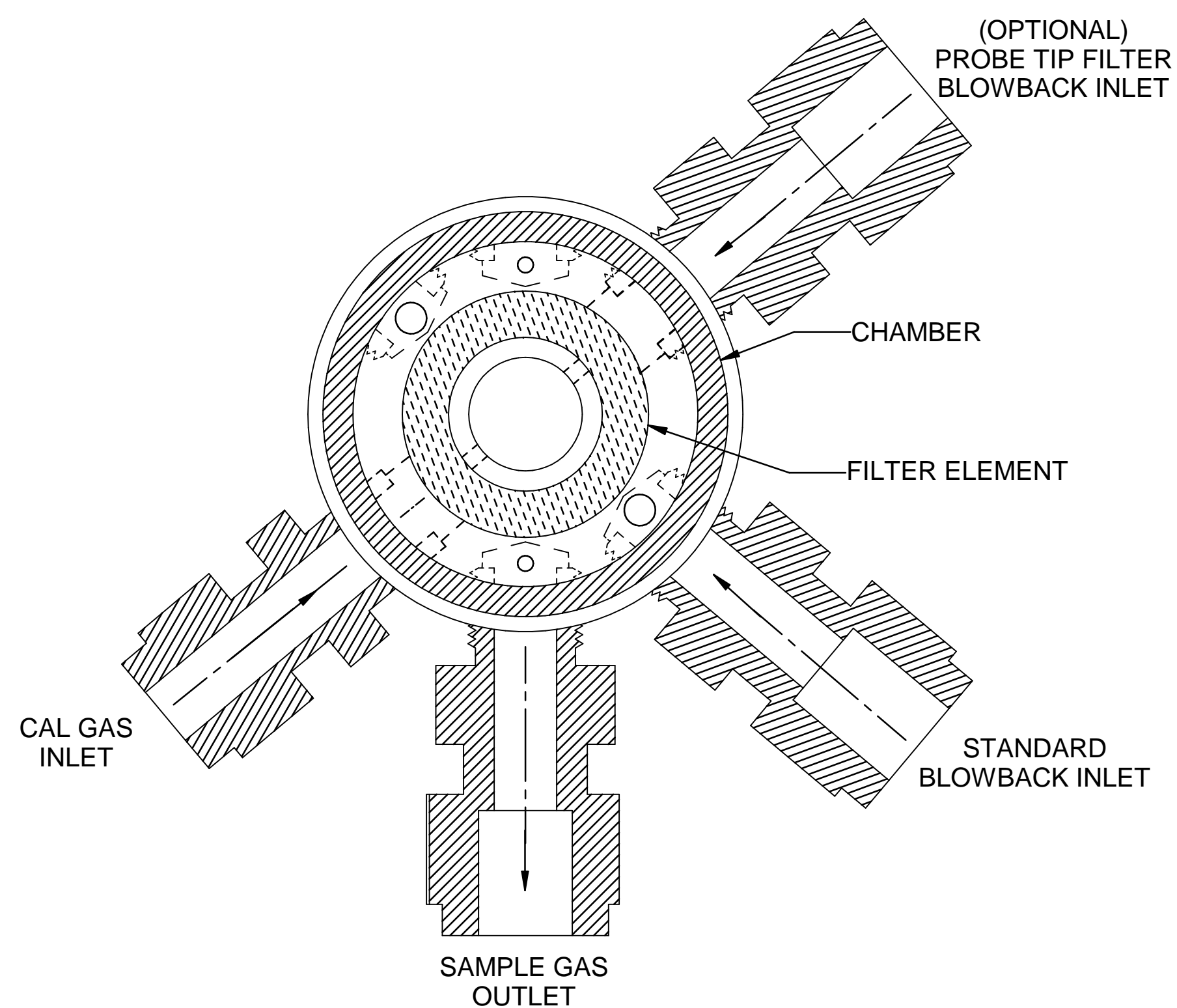
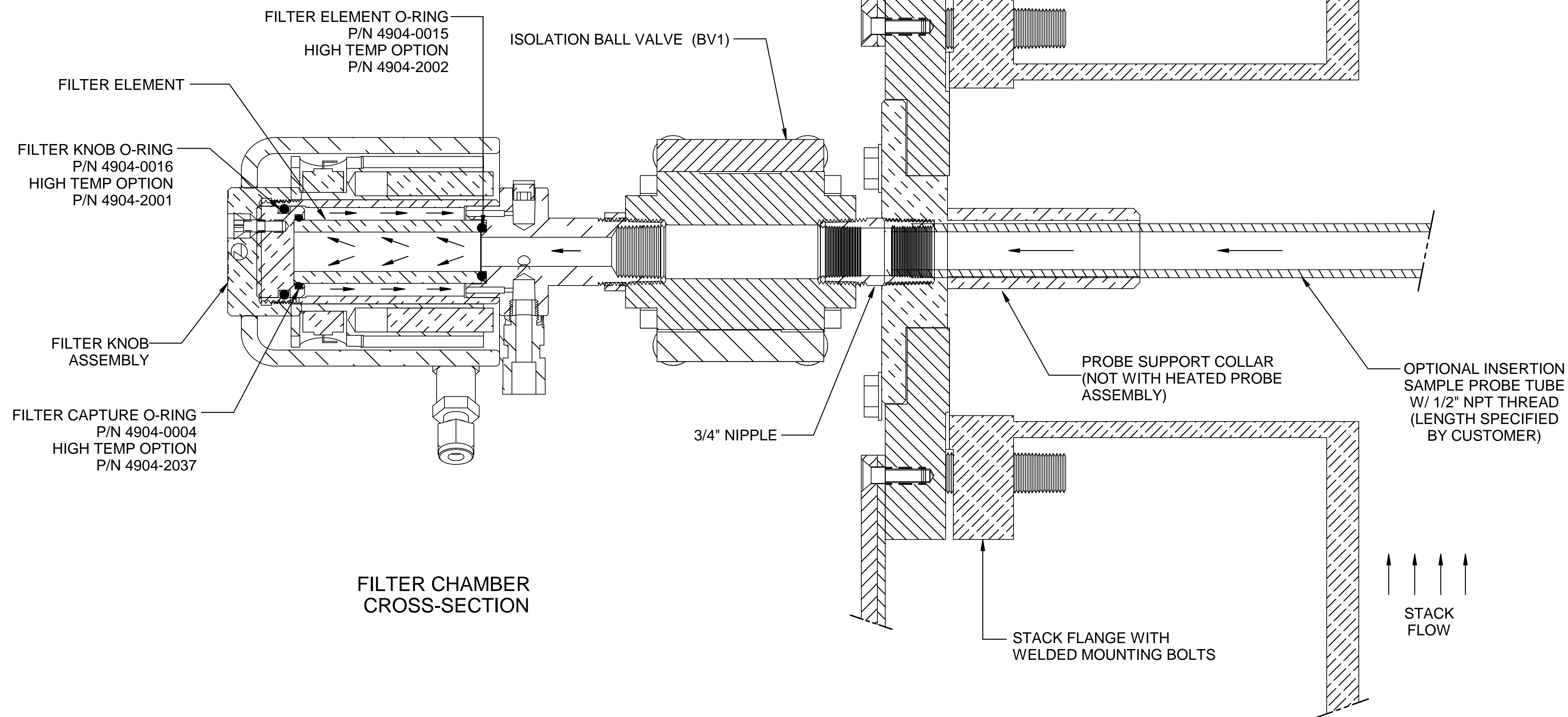
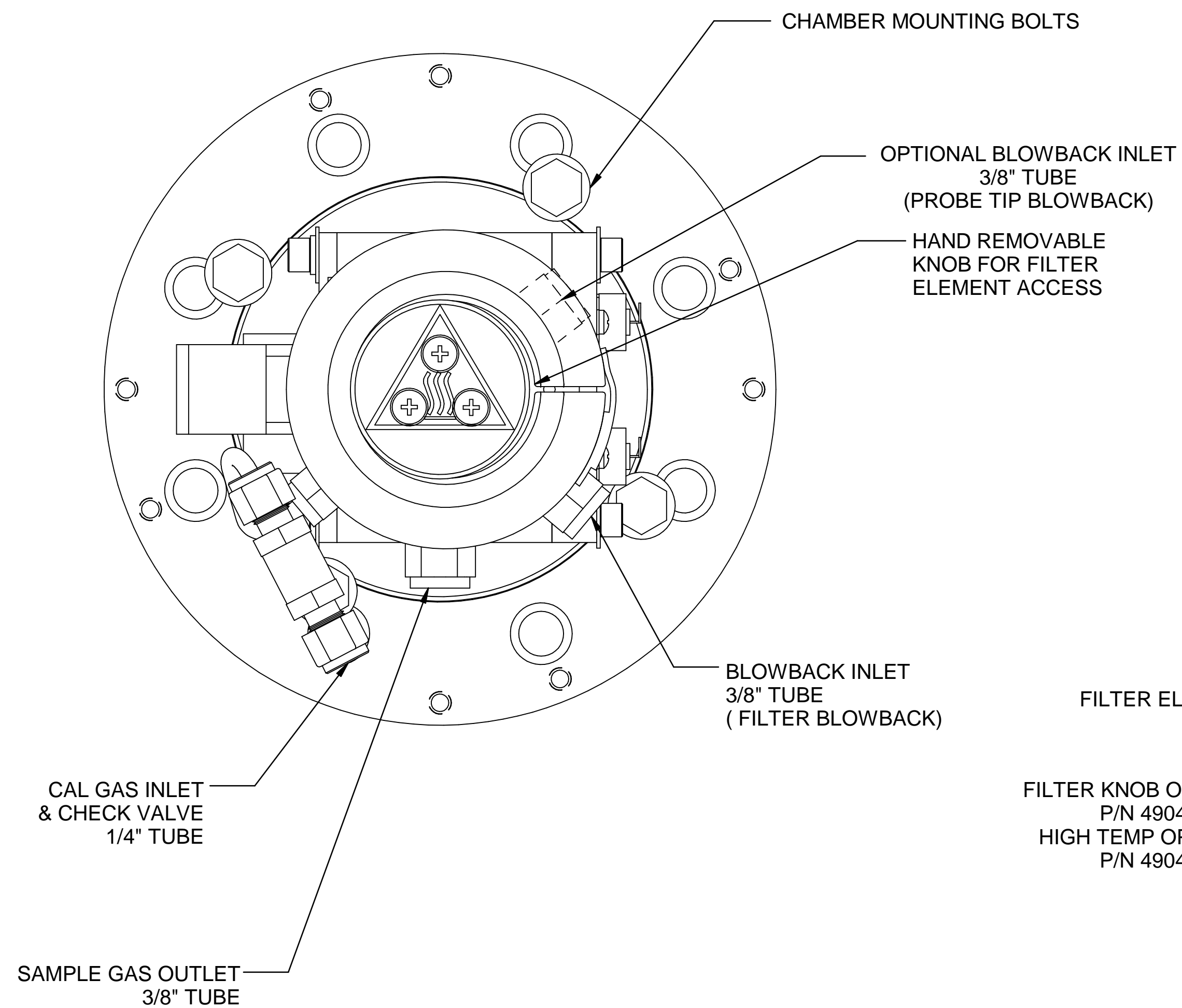
Web Doc

5200 Corvair Drive Carson City, NV 89706 PH(775)883-2500 FAX (775)883-6388		K.2	12/03/20	REMOVE TS 375°F AND 550°F ON BV1	NCU	GE
 		REV	DATE	DESCRIPTION	DWN	APVD
MODEL 270SF W/ TIMED BLOWBACK FLANGE ASSEMBLY				REVISIONS		
PART NO.		FOR		DATE	SCALE	SIZE
270SF		INSTRUMENT		06/23/2006	NTS	D
DRAWN BY		R. Wells		ECO#	SHEET	
APVD BY		G. Evans		-	3 OF 7	
				DRAWING NO.		
				P1080		





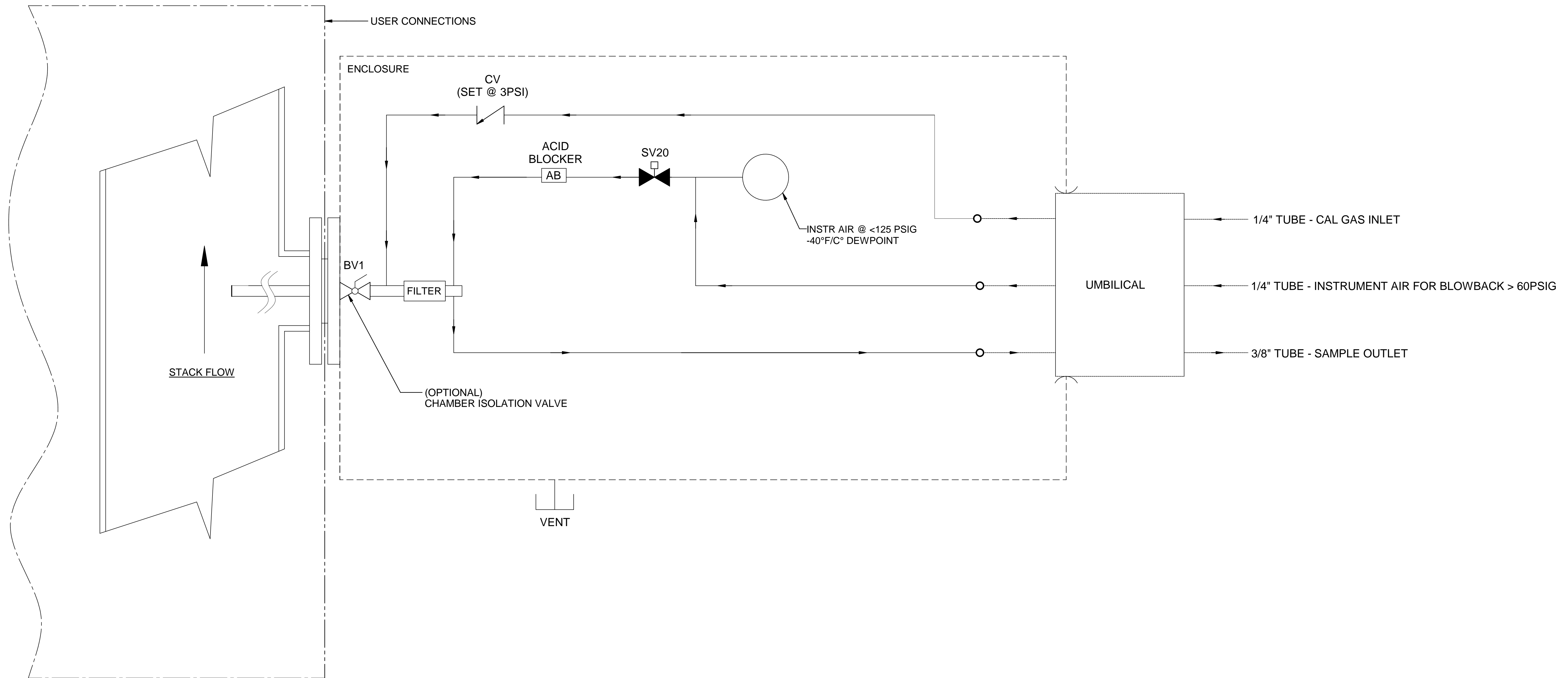
Web Doc

5200 Corvair Drive Carson City, NV 89706 PH(775)883-2500 FAX (775)883-6388		K.2	12/03/20	REMOVE TS 375°F AND 550°F ON BV1	NCU	GE
 		REV	DATE	DESCRIPTION	DWN	APVD
REVISIONS						
MODEL 270SF W/ TIMED BLOWBACK FILTER CHAMBER CROSS-SECTION		DATE	SCALE	SIZE	SHEET	
		06/23/2006	NTS	D	4 OF 7	
PART NO.	FOR	DRAWN BY	ECO#	DRAWING NO.		
270SF	INSTRUMENT	R. Wells	-	P1080		
		APVD BY				
		G. Evans				



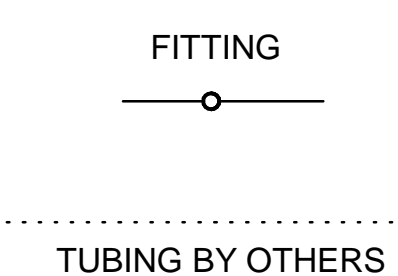
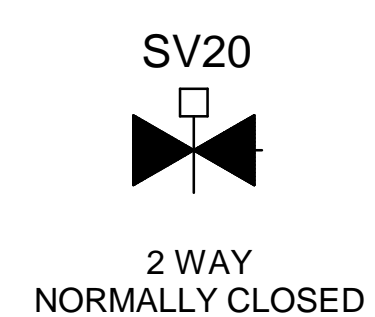
Web Doc

5200 Corvair Drive Carson City, NV 89706 PH(775)883-2500 FAX (775)883-6388		K.2	12/03/20	REMOVE TS 375°F AND 550°F ON BV1	NCU	GE
 		REV	DATE	DESCRIPTION	DWN/APVD	
MODEL 270SF W/ TIMED BLOWBACK FILTER CHAMBER CROSS-SECTION		REVISIONS				
PART NO.	FOR	DATE	SCALE	SIZE	SHEET	
270SF	INSTRUMENT	06/23/2006	NTS	D	5 OF 7	
		DRAWN BY	R. Wells	ECO#	DRAWING NO.	
		APVD BY	G. Evans	-	P1080	



ITEM	QTY	DESCRIPTION	UAI PART NO.
AB	1	ACID BLOCKER	5110-0015
ACC	1	ACCUMULATOR, 7"	4956-1002
BV1	1	VALVE, BALL 3/4" NPT FOR SFU, SFV CONFIGURATIONS	4955-1042-SW
BV1	1	VALVE, BALL 3/4" FOR NFU, NFV CONFIGURATIONS	4955-1042-SW-SN
BV1	1	VALVE, BALL 3/4" FOR SHFU, SHFV CONFIGURATIONS	4955-0269
BV1	1	VALVE, BALL 3/4" FOR NHFU, NHFV CONFIGURATIONS	4955-0269-SN
BV1	1	VALVE, BALL 3/4" FOR CFU, CFV CONFIGURATIONS	4955-1058-SW
BV1	1	VALVE, BALL 3/4" FOR CHFU, CHFV CONFIGURATIONS	4955-1061-SW
CV	1	CHECK VALVE, 1/4" TUBE, 3 PSIG	4955-0148
SV20	1	VALVE, SOLENOID, 2-WAY, 115 VAC	4955-0002
SV20	1	VALVE, SOLENOID, 2-WAY, 230 VAC	4955-0005

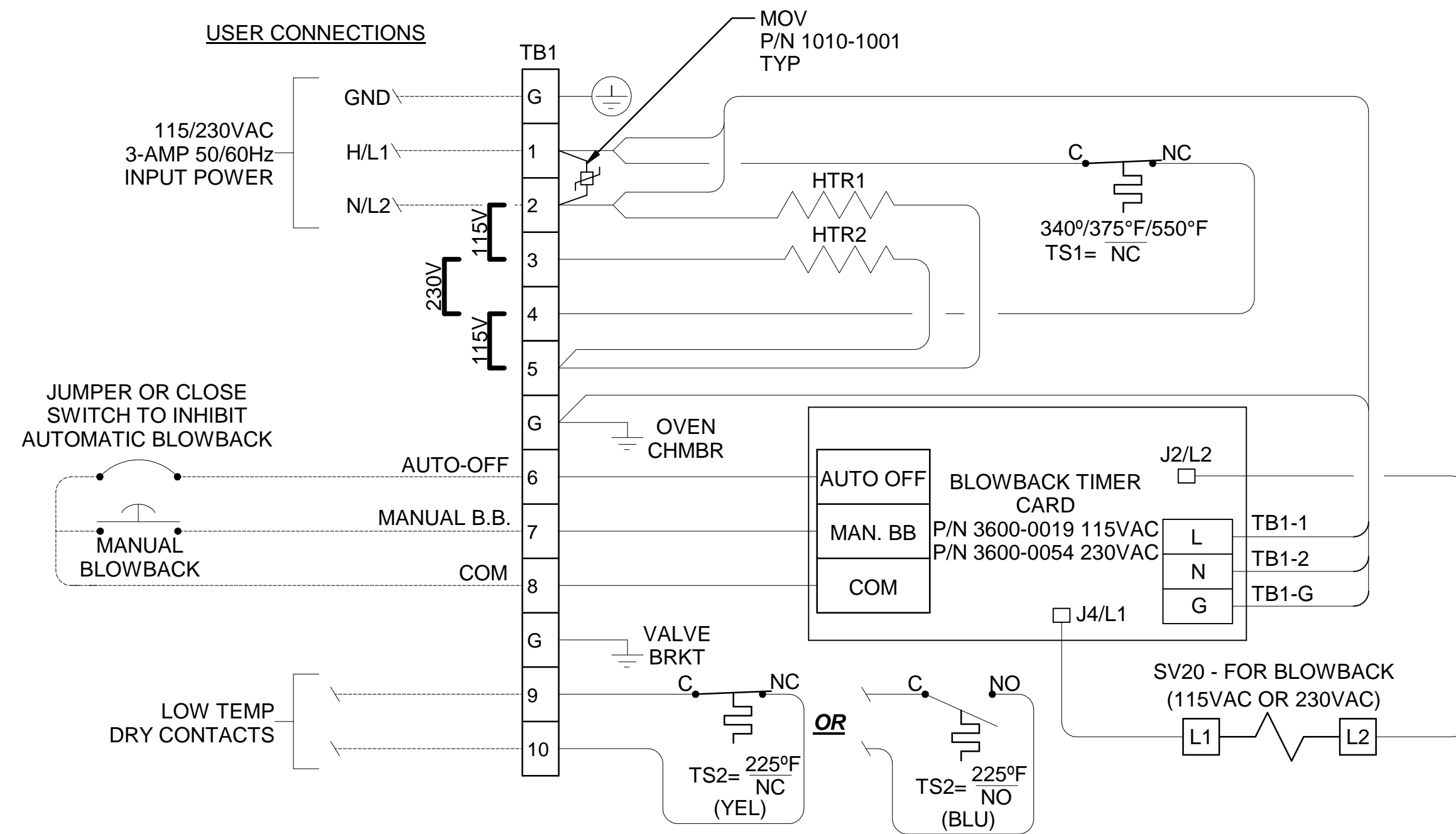
LEGEND



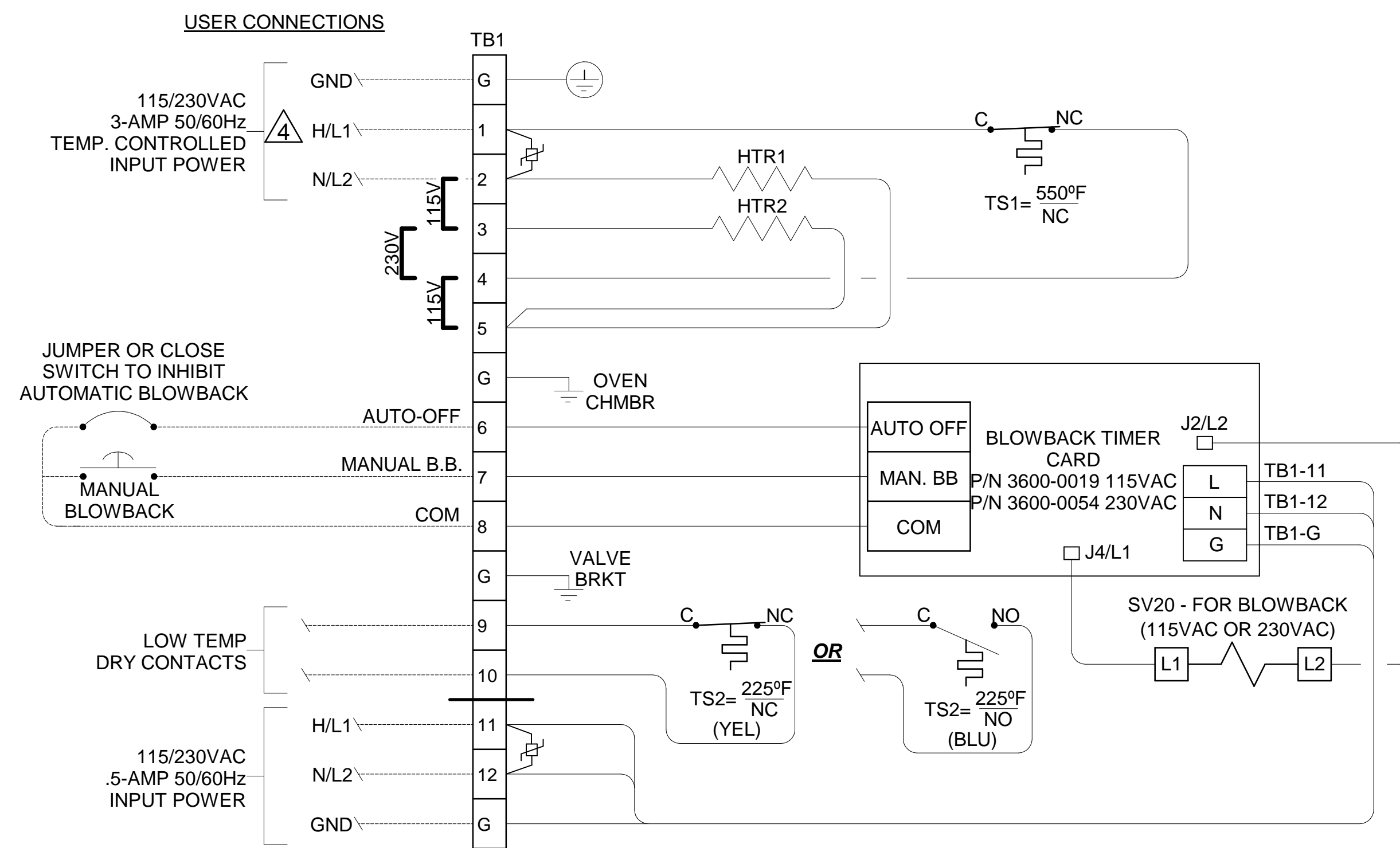
Web Doc

5200 Corvair Drive Carson City, NV 89706 PH(775)883-2500 FAX (775)883-6388		K.2	12/03/20	REMOVE TS 375°F AND 550°F ON BV1	NCU	GE
		REV	DATE	DESCRIPTION	DWN	APVD
MODEL 270SF W/ TIMED BLOWBACK P&ID						
PART NO.		FOR		DATE	SCALE	SIZE
270SF		INSTRUMENT		06/23/2006	NTS	D
DRAWN BY		R. Wells		ECO#	SHEET	
APVD BY		G. Evans		-	6 OF 7	
					DRAWING NO.	
					P1080	

THERMAL SWITCH TEMP CONTROL



REMOTE TEMP CONTROLLER

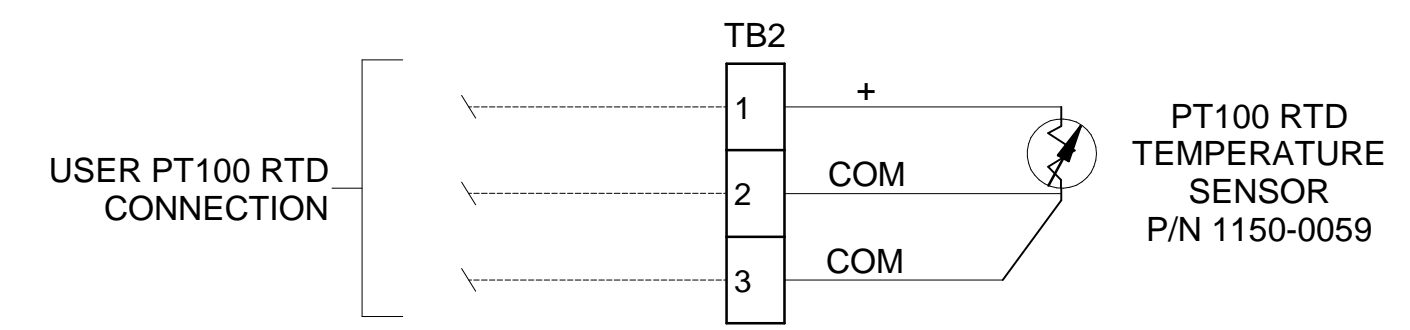


NOTES:

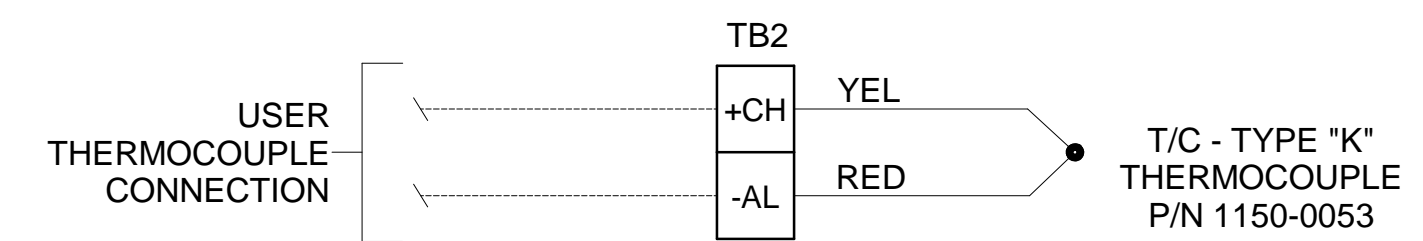
- 1) FILTER HEATER ROD SPECIFICATIONS (HTR1,2,4,5):
3/8" Ø X 1.5" LG @ 63 WATT/115VAC - P/N 3014-0046
- 2) OVEN TEMP. CONTROL OPTIONS (TS1 & TS3):
NORMALLY CLOSED (NC) BELOW 340°F - P/N 3103-0014
NORMALLY CLOSED (NC) BELOW 375°F - P/N 3103-0061
NORMALLY CLOSED (NC) BELOW 550°F - P/N 3103-0005
- 3) LOW TEMP ALARM OPTIONS (TS2 & TS4):
NORMALLY CLOSED (NC) BELOW 225°F (YELLOW LEADS) - P/N 3103-0013
NORMALLY OPEN (NO) BELOW 225°F (BLUE LEADS) - P/N 3103-0012
- 4) REMOTE CHAMBER HEATER CONTROL WILL REQUIRE LABEL P/N 5001-0217 TO BE ATTACHED TO BACK PLATE PARALLEL TO TB1; AND THAT TEMPERATURE BE REGULATED WITH A TEMPERATURE CONTROLLING DEVICE. VERIFY THAT THE VOLTAGE BEING SUPPLIED MATCHES THE VOLTAGE RATING ON THE SERIAL TAG.

OPTIONAL

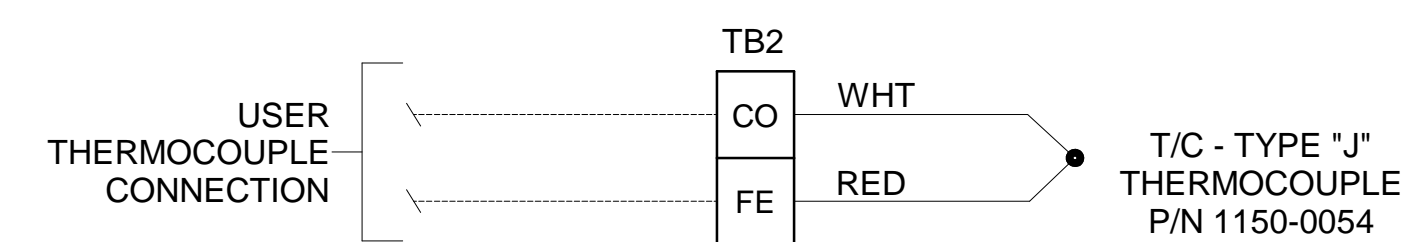
PT100 RTD OPTION FOR REMOTE FILTER HEATER TEMP MONITORING / CONTROL



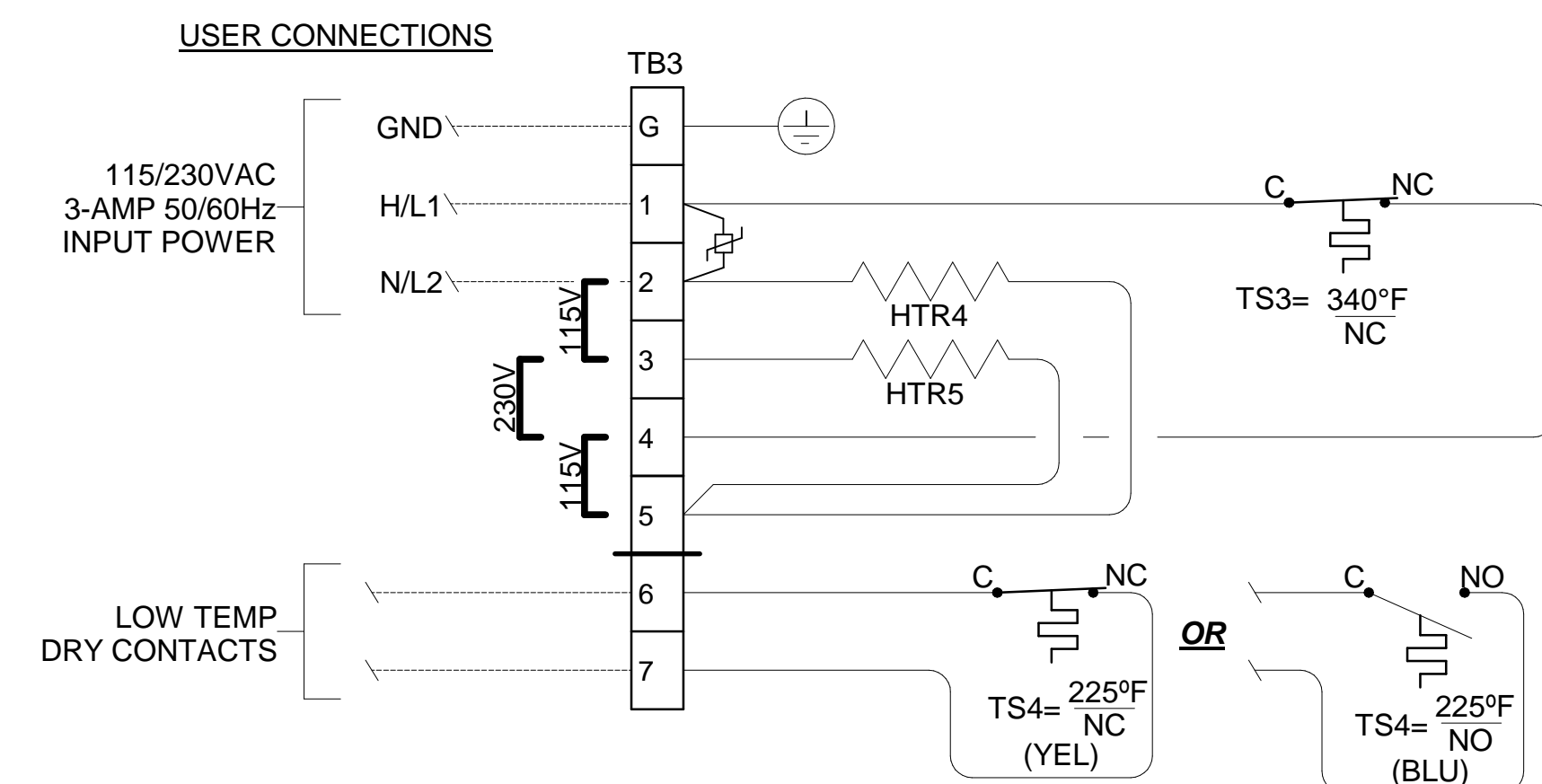
THERMOCOUPLE OPTION FOR REMOTE FILTER HEATER TEMP MONITORING / CONTROL TERMINAL BLOCK P/N +CH = 3304-0167 -AL = 3304-0168



THERMOCOUPLE OPTION FOR REMOTE FILTER HEATER TEMP MONITORING / CONTROL TERMINAL BLOCK P/N CO = 3304-0171 FE = 3304-0172



OPTIONAL BALL VALVE (BV1) THERMAL SWITCH TEMP CONTROL



Web Doc

FIELD TO WIRE

5200 Corvair Drive Carson City, NV 89706 PH(775)883-2500 FAX (775)883-6388		K.2	12/03/20	REMOVE TS 375°F AND 550°F ON BV1	NCU	GE
		REV	DATE	DESCRIPTION	DWN / APVD	
MODEL 270SF W/ TIMED BLOWBACK WIRING SCHEMATICS				DATE	SCALE	SIZE
PART NO.		FOR		06/23/2006	NTS	D
270SF		INSTRUMENT		DRAWN BY	R. Wells	ECO#
				APVD BY	G. Evans	-
				SHEET		7 OF 7
				DRAWING NO.		P1080