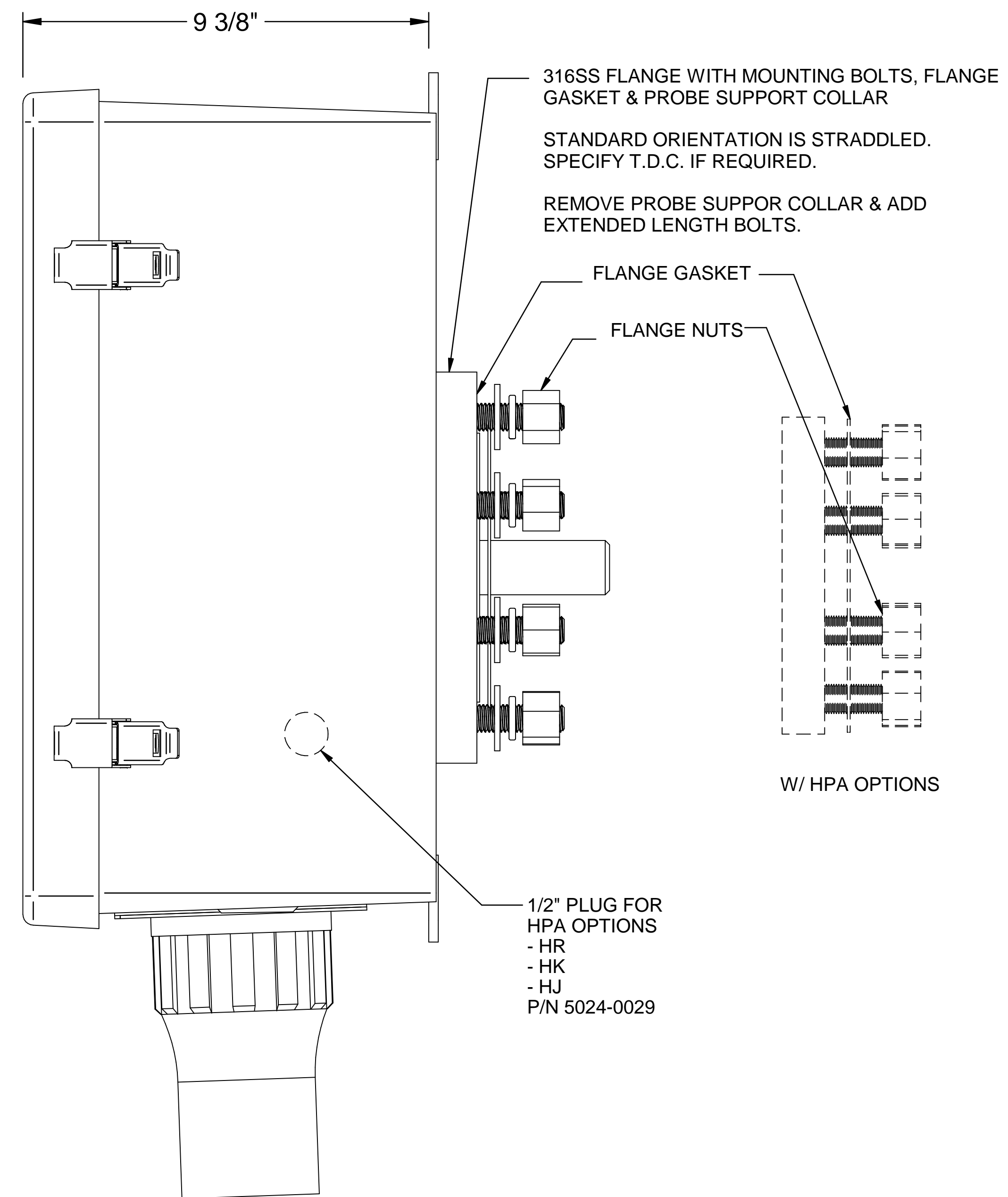
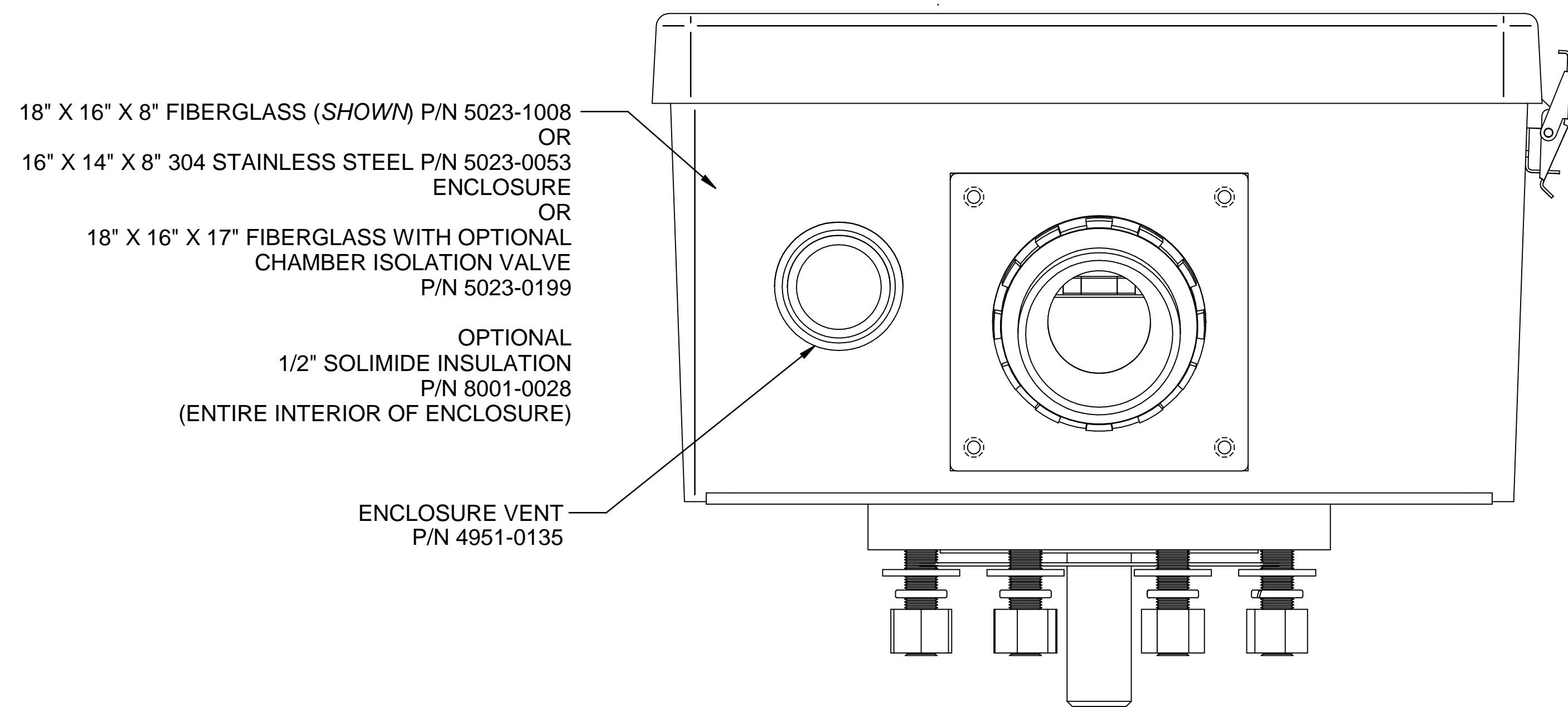


FRONT VIEW (DOOR REMOVED)



RIGHT SIDE VIEW

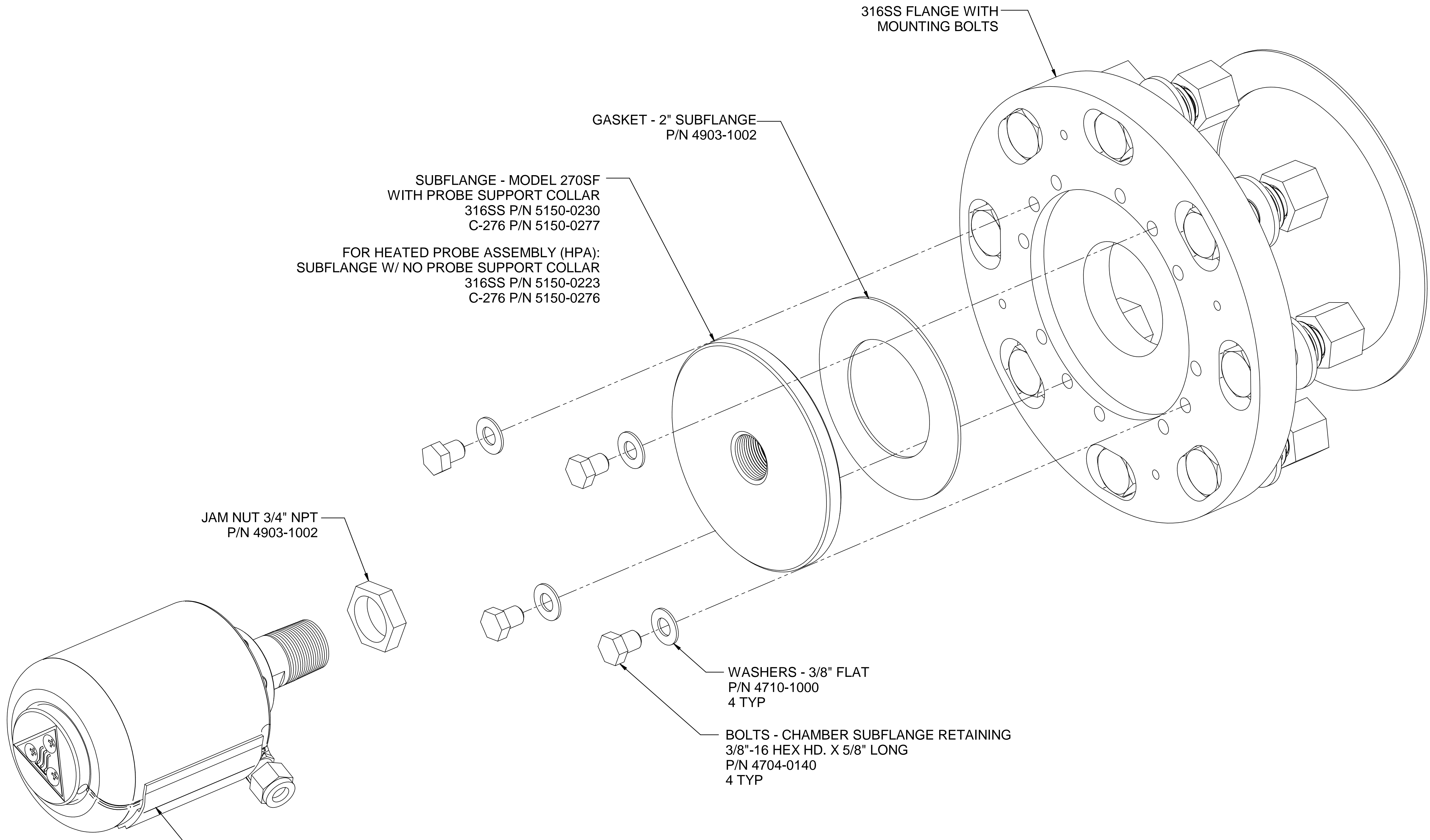


BOTTOM VIEW

CONFIGURATION OPTIONS		
OPTION	DESCRIPTION	DWG.
-H	Z-PURGE HORIZONTAL	P1218
-V	Z-PURGE VERTICAL	
-A	AMMONIA CONVERTER	P1376
-HR	TERMINALS FOR HEATED PROBE ASSEMBLY	P1412
-HJ		
-HK		
-xy	EXTENDED LENGTH PROBE TUBE SUPPORT x= LENGTH (2 - 5FT.) y= MATERIAL (S= 316SS) (C= C276) (T= 310SS)	P1445

Web Doc

5200 Convoir Drive Carson City, NV 89706 PH(775)883-2500 FAX (775)883-6388		S.4 12/03/20 REMOVE TS 375°F AND 550°F ON BV1		NCU	GE
		REV DATE DESCRIPTION		DWN	APVD
MODEL 270SF W/ BLOWBACK LAYOUT					
PART NO. 270SF		FOR INSTRUMENT		REVISIONS	
DRAWN BY R. Wells		DATE 06/23/2006		SHEET 1 OF 7	
APVD BY G. Evans		SCALE NTS		SIZE D	
		ECO#		DRAWING NO. P1079	



SUBFLANGE - MODEL 270SF
WITH PROBE SUPPORT COLLAR
316SS P/N 5150-0230
C-276 P/N 5150-0277

FOR HEATED PROBE ASSEMBLY (HPA):
SUBFLANGE W/ NO PROBE SUPPORT COLLAR
316SS P/N 5150-0223
C-276 P/N 5150-0276

316SS FLANGE WITH
MOUNTING BOLTS

GASKET - 2" SUBFLANGE
P/N 4903-1002



JAM NUT 3/4" NPT
P/N 4903-1002

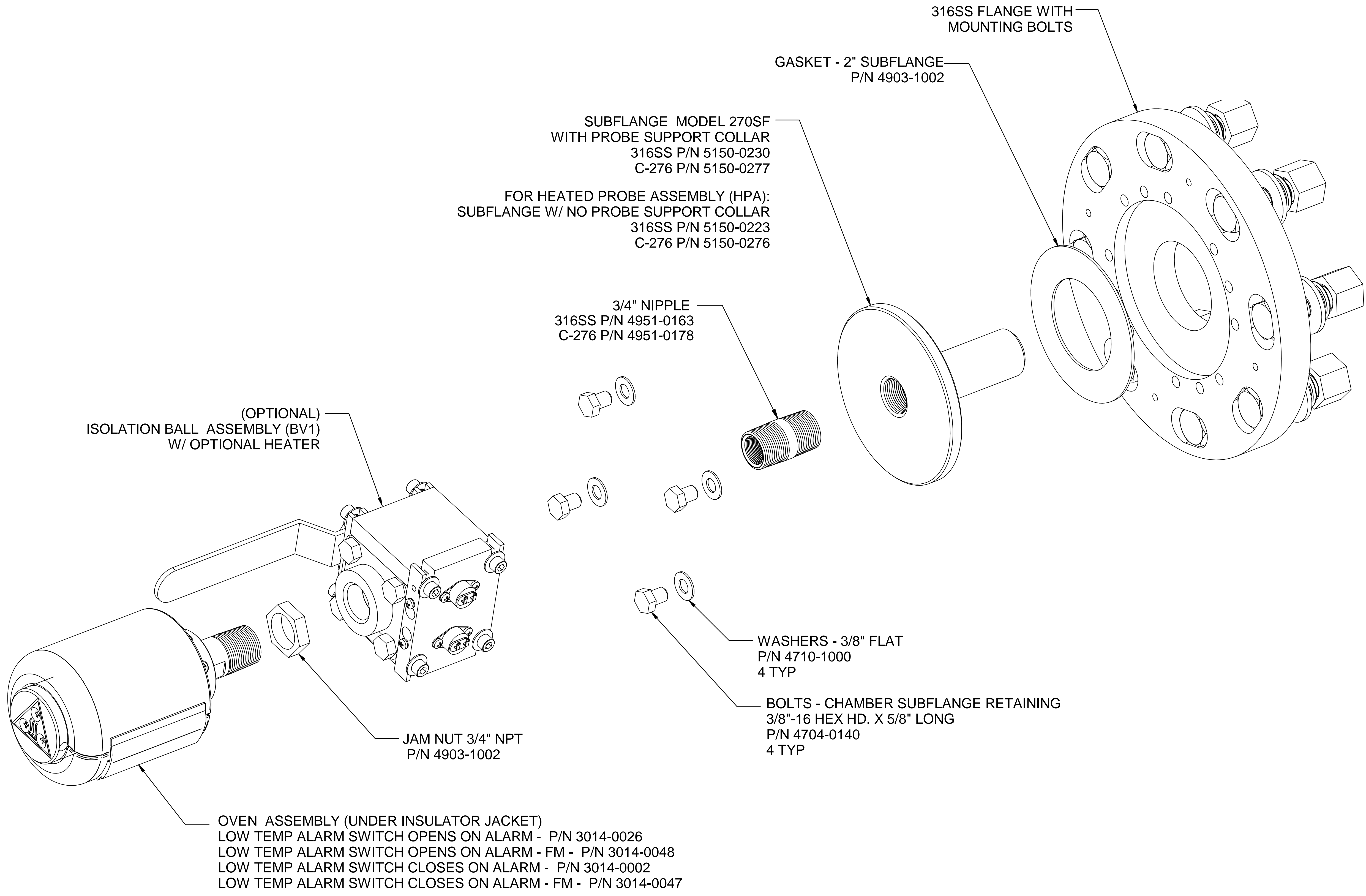
WASHERS - 3/8" FLAT
P/N 4710-1000
4 TYP

BOLTS - CHAMBER SUBFLANGE RETAINING
3/8"-16 HEX HD. X 5/8" LONG
P/N 4704-0140
4 TYP



OVEN ASSEMBLY (UNDER INSULATOR JACKET)
LOW TEMP ALARM SWITCH OPENS ON ALARM - P/N 3014-0026
LOW TEMP ALARM SWITCH OPENS ON ALARM - FM - P/N 3014-0048
LOW TEMP ALARM SWITCH CLOSSES ON ALARM - P/N 3014-0002
LOW TEMP ALARM SWITCH CLOSSES ON ALARM - FM - P/N 3014-0047

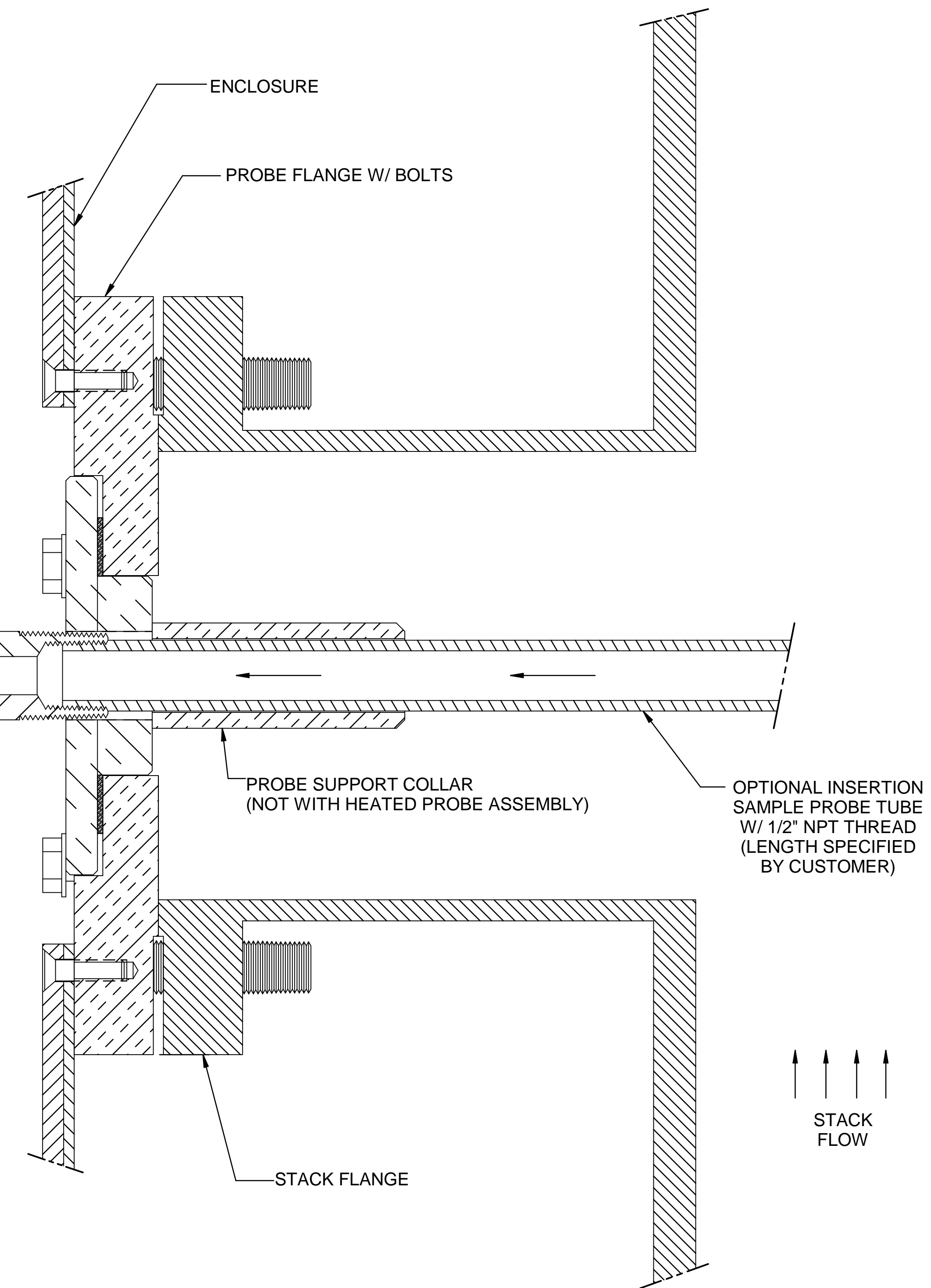
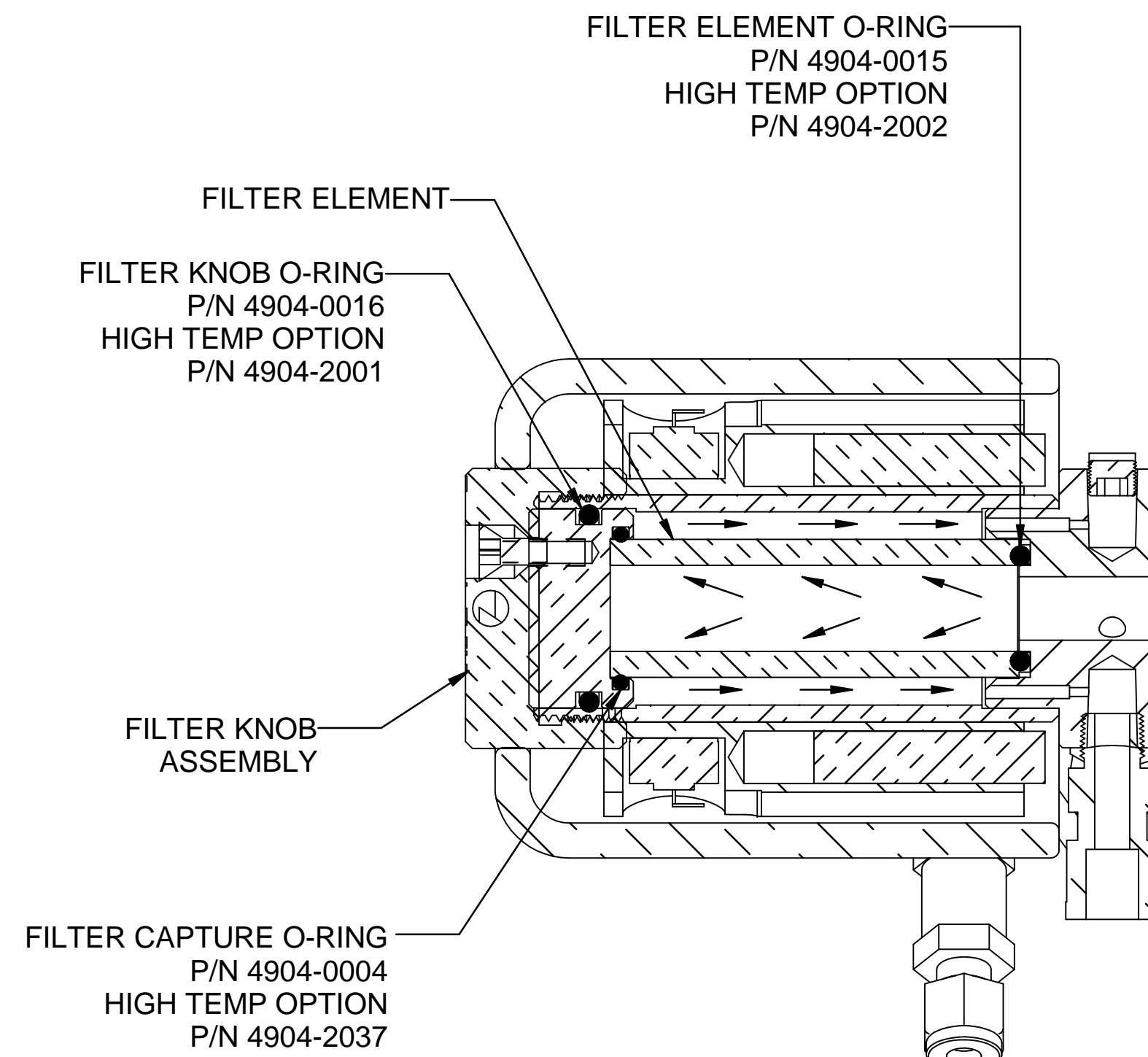
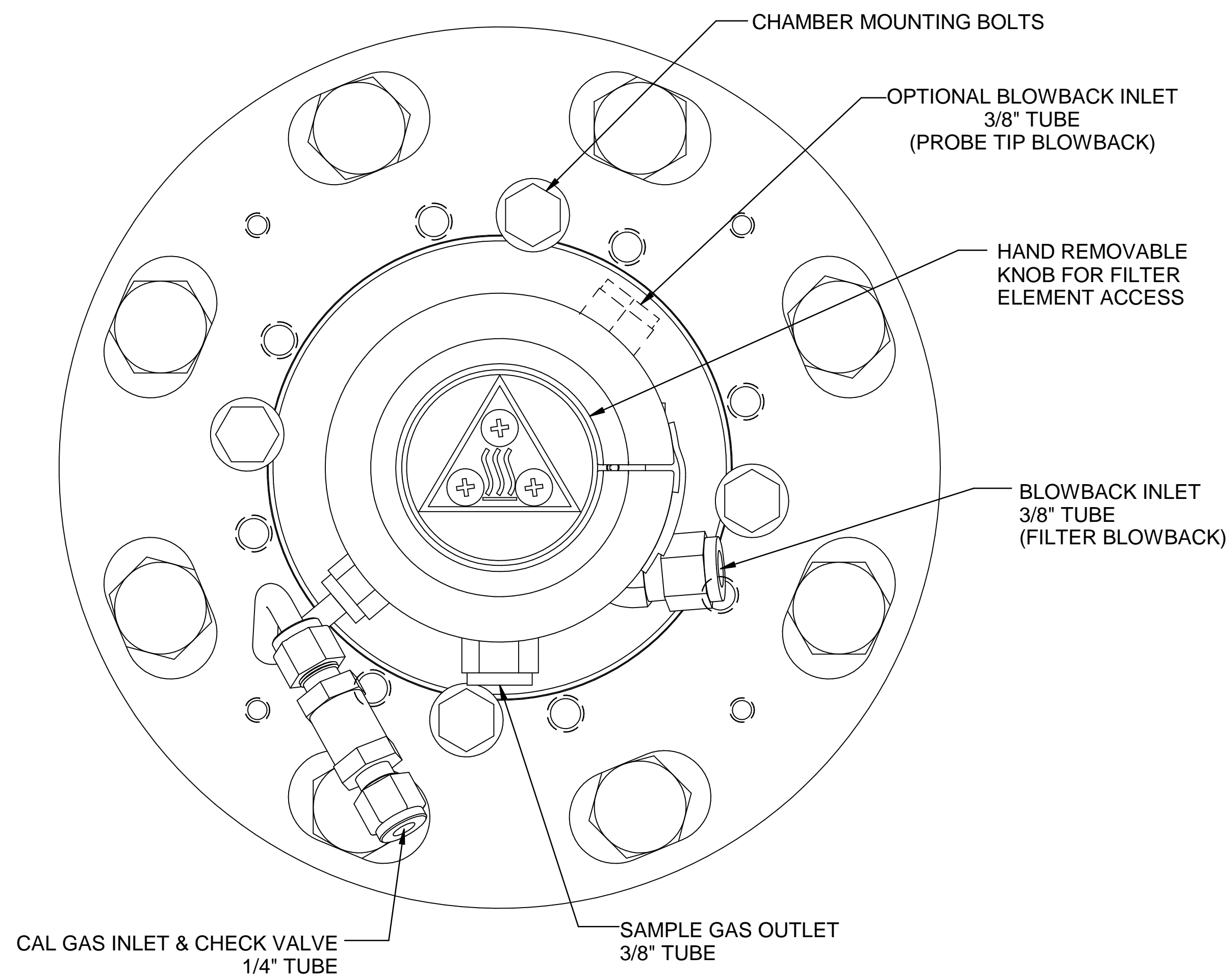
Web Doc

 		5200 Convoir Drive Carson City, NV 89706 PH(775)883-2500 FAX (775)883-6388	
S.4	12/03/20	REMOVE TS 375°F AND 550°F ON BV1	NCU GE
REV	DATE	DESCRIPTION	DWN APVD
REVISIONS			
DATE	SCALE	SIZE	SHEET
06/23/2006	NTS	D	2 OF 7
PART NO.	FOR	DRAWN BY	ECO#
270SF	INSTRUMENT	R. Wells	-
		APVD BY	DRAWING NO.
		G. Evans	P1079

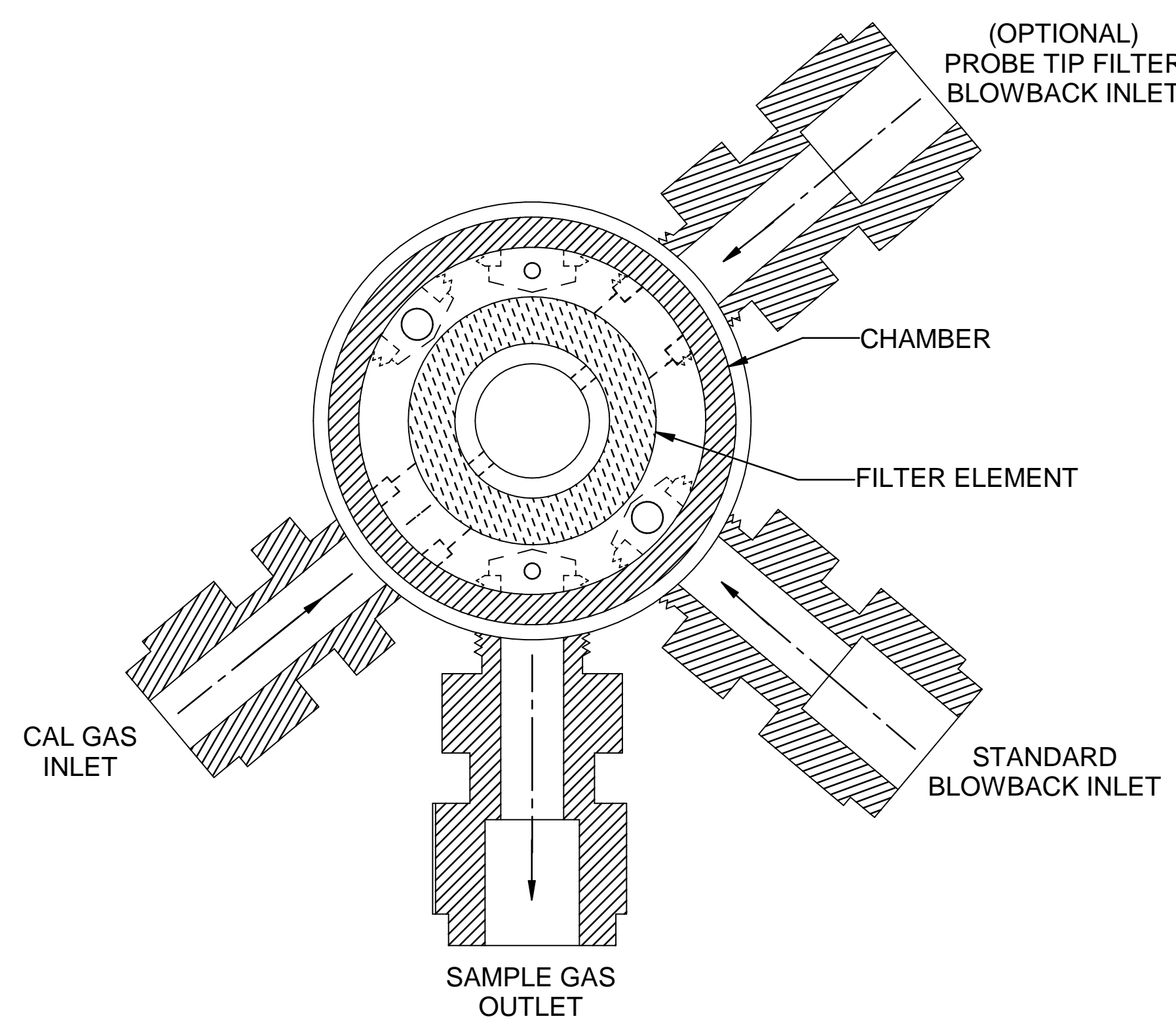


Web Doc

 		S.4	12/03/20	REMOVE TS 375°F AND 550°F ON BV1	NCU	GE
REV	DATE	DESCRIPTION			DWN	APVD
REVISIONS						
DATE		SCALE	SIZE	SHEET		
06/23/2006		NTS	D	3 OF 7		
PART NO.	FOR	DRAWN BY	R. Wells	ECO#	DRAWING NO.	
270SF	INSTRUMENT	APVD BY	G. Evans	-	P1079	



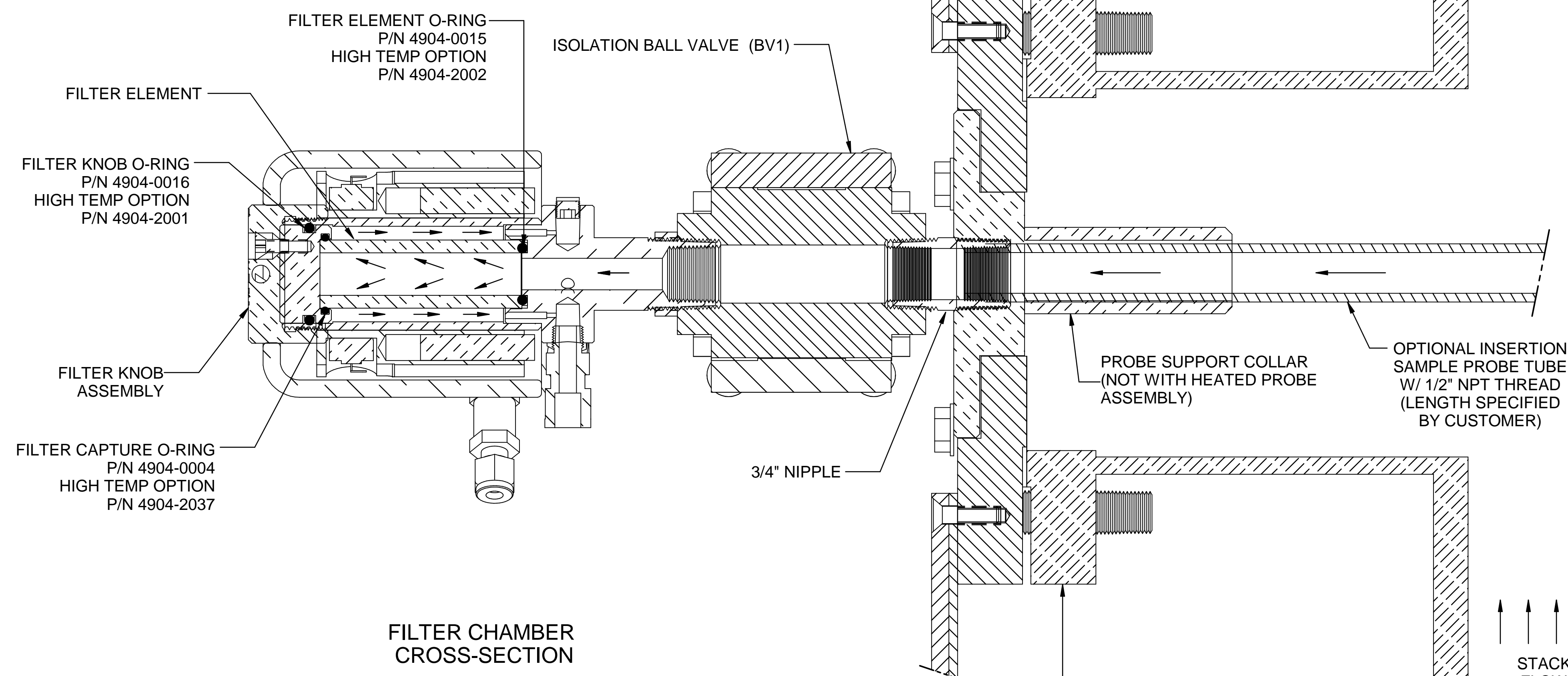
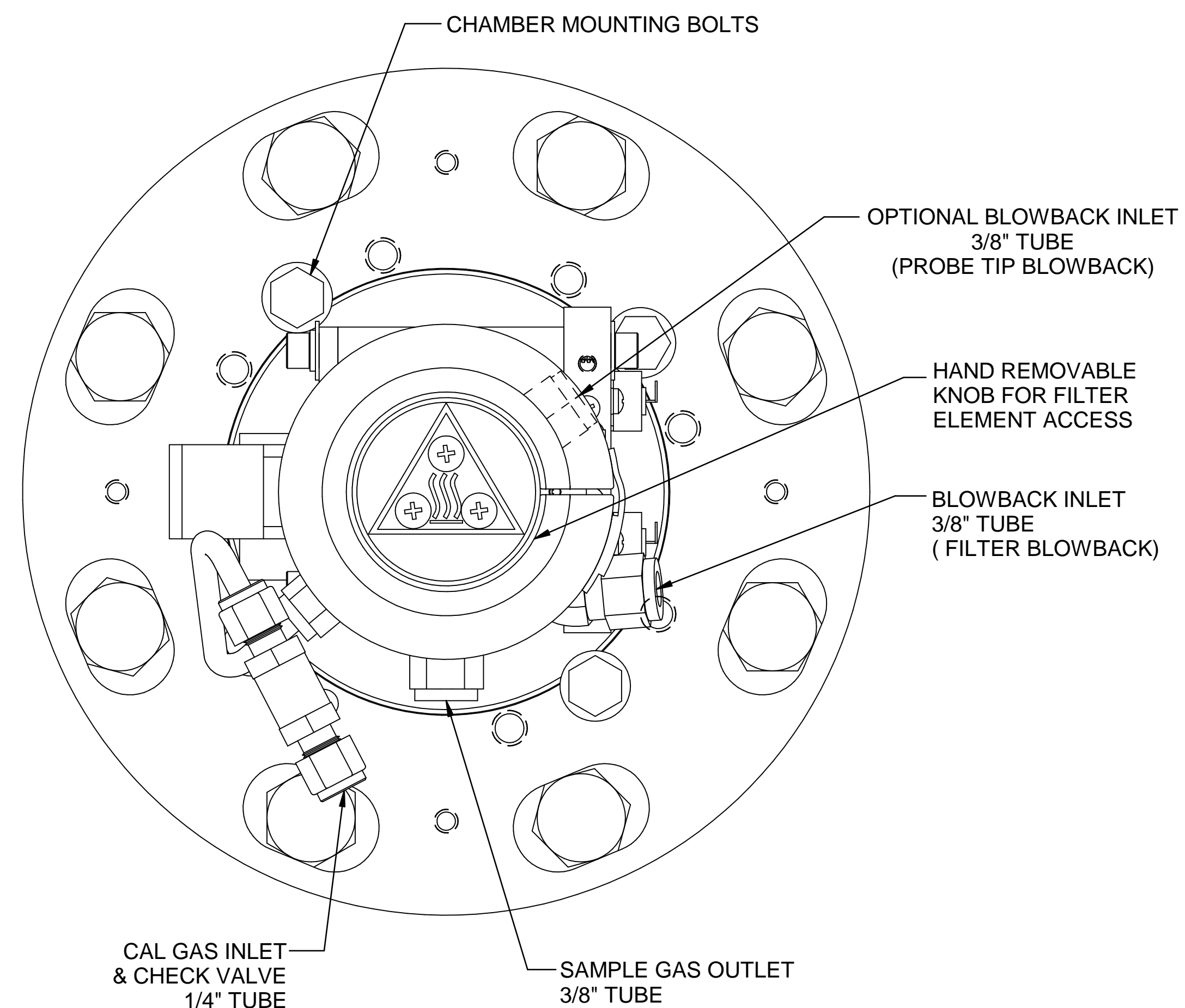
FILTER CHAMBER
CROSS-SECTION



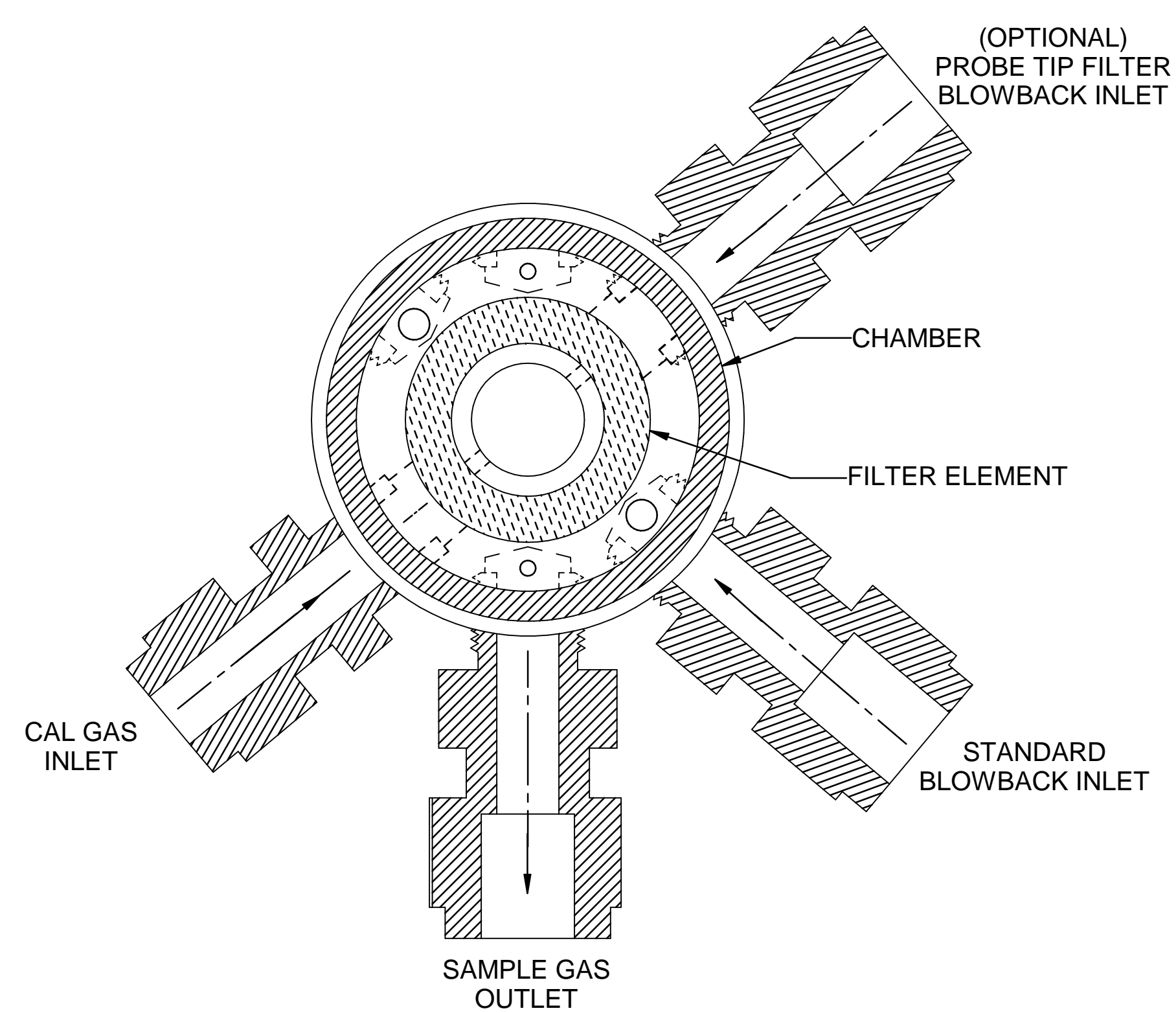
INTERNAL PORTING CONFIGURATION

Web Doc

5200 Convoir Drive Carson City, NV 89706 PH(775)883-2500 FAX (775)883-6388		S.4	12/03/20	REMOVE TS 375°F AND 550°F ON BV1	NCU	GE
UNIVERSAL ANALYTICALS INC. AMETEK		REV	DATE	DESCRIPTION	DWN	APVD
MODEL 270SF W/ BLOWBACK FILTER CHAMBER CROSS-SECTION						
PART NO.		FOR		DATE	SCALE	SIZE
270SF		INSTRUMENT		06/23/2006	NTS	D
DRAWN BY		ECO#		REVISIONS	SHEET	
APVD BY		-			4 OF 7	
R. Wells					P1079	
G. Evans						





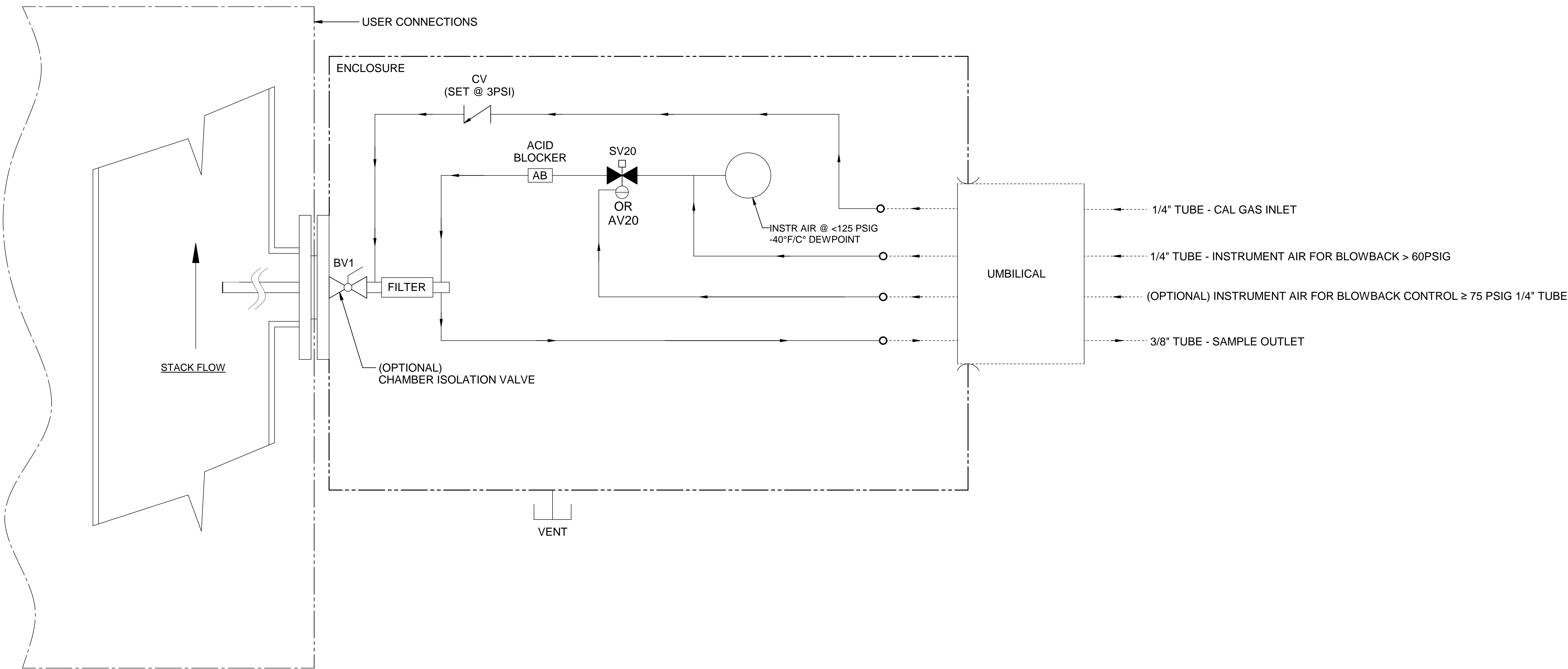
FILTER CHAMBER
CROSS-SECTION



INTERNAL PORTING CONFIGURATION

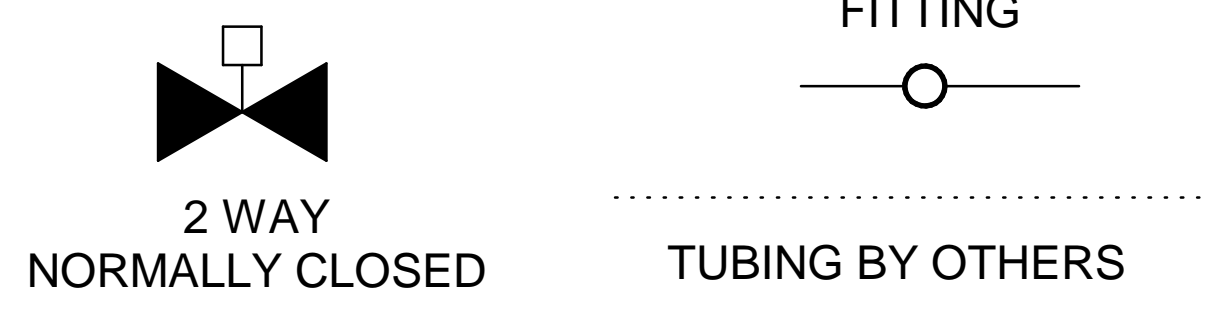
Web Doc

5200 Convoir Drive Carson City, NV 89706 PH(775)883-2500 FAX (775)883-6388		S.4 12/03/20 REMOVE TS 375°F AND 550°F ON BV1		NCU	GE
 		REV	DATE	DESCRIPTION	DWN APVD
MODEL 270SF W/ BLOWBACK FILTER CHAMBER CROSS-SECTION					
PART NO.		FOR		DATE	SCALE
270SF		INSTRUMENT		06/23/2006	NTS
DRAWN BY		APVD BY		ECO#	SHEET
R. Wells		G. Evans		-	5 OF 7
DRAWING NO.		P1079			



ITEM	QTY	DESCRIPTION	UAI PART NO.
AB	1	ACID BLOCKER	5110-0015
ACC	1	ACCUMULATOR, 7"	4956-1002
AV20	1	PNEUMATIC VALVE, 2-WAY	4955-0256
BV1	1	VALVE, BALL 3/4" NPT FOR SFU, SFV CONFIGURATIONS	4955-1042-SW
BV1	1	VALVE, BALL 3/4" FOR NFU, NFV CONFIGURATIONS	4955-1042-SW-SN
BV1	1	VALVE, BALL 3/4" FOR SHFU, SHFV CONFIGURATIONS	4955-0269
BV1	1	VALVE, BALL 3/4" FOR NHFU, NHFV CONFIGURATIONS	4955-0269-SN
BV1	1	VALVE, BALL 3/4" FOR CFU, CFV CONFIGURATIONS	4955-1058-SW
BV1	1	VALVE, BALL 3/4" FOR CHFU, CHFV CONFIGURATIONS	4955-1061-SW
CV	1	CHECK VALVE, 1/4" TUBE, 3 PSIG	4955-0148
SV20	1	VALVE, SOLENOID, 2-WAY, 24 VDC	4955-0010
SV20	1	VALVE, SOLENOID, 2-WAY, 115 VAC	4955-0002
SV20	1	VALVE, SOLENOID, 2-WAY, 230 VAC	4955-0005

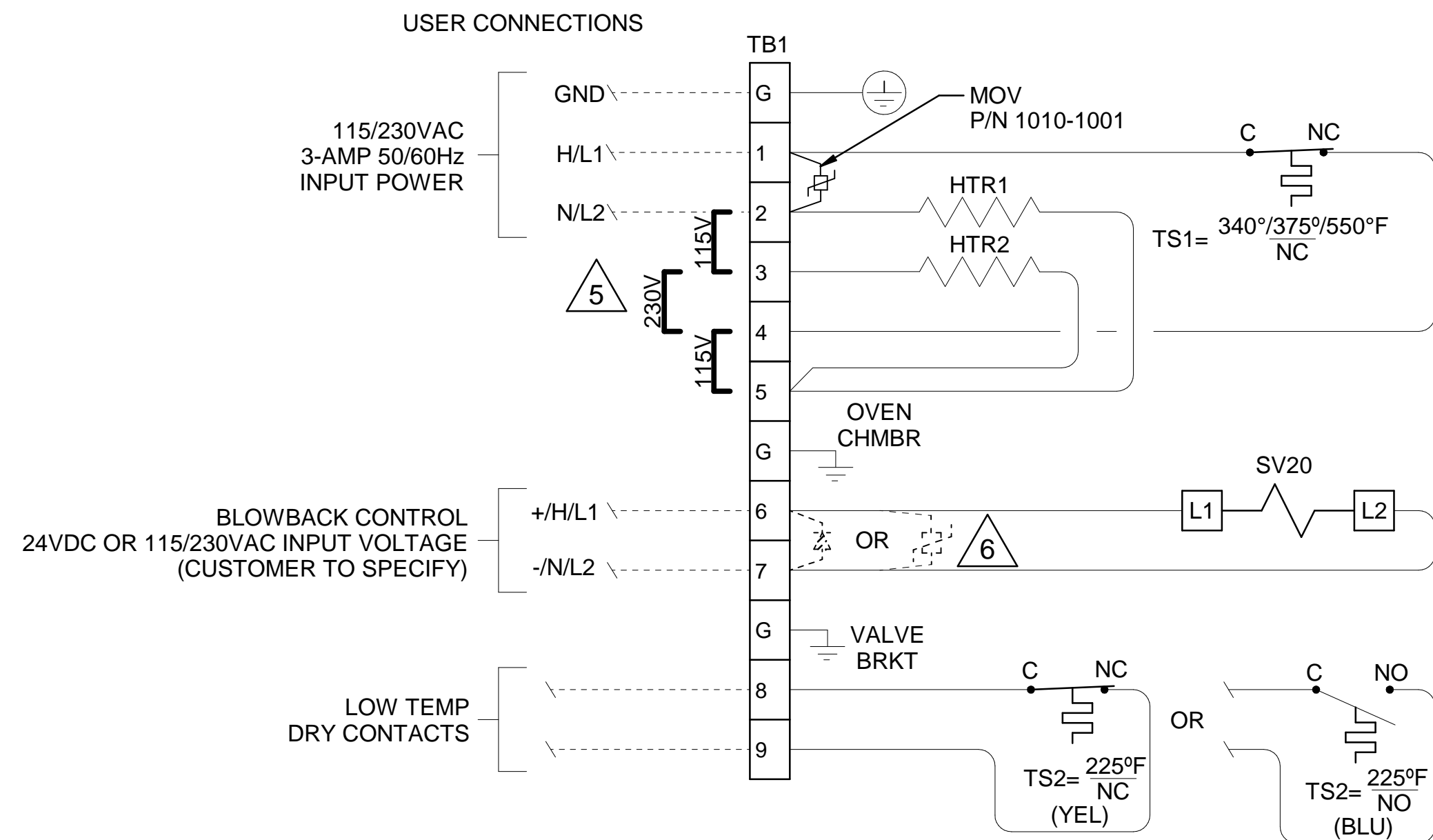
LEGEND



Web Doc

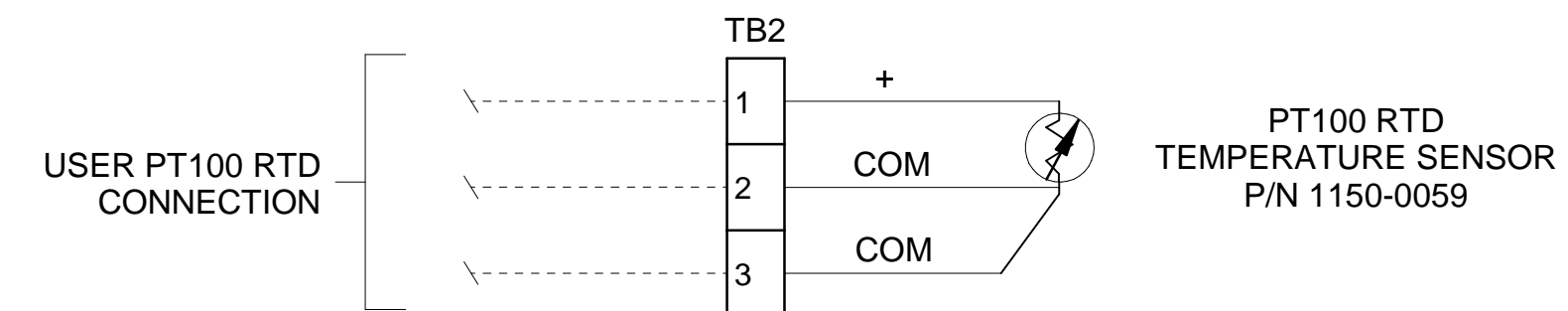
		S.4	12/03/20	REMOVE TS 375°F AND 550°F ON BV1	NCU	GE
REV	DATE	DESCRIPTION			DWN	APVD
MODEL 270SF W/ BLOWBACK P&ID						
PART NO.		FOR		DATE	SCALE	SIZE
270SF		INSTRUMENT		06/23/2006	NTS	D
DRAWN BY		APVD BY		ECO#	SHEET	
R. Wells		G. Evans		-	6 OF 7	
					ECO#	DRAWING NO.
					-	P1079

THERMAL SWITCH TEMP CONTROL



OPTIONAL

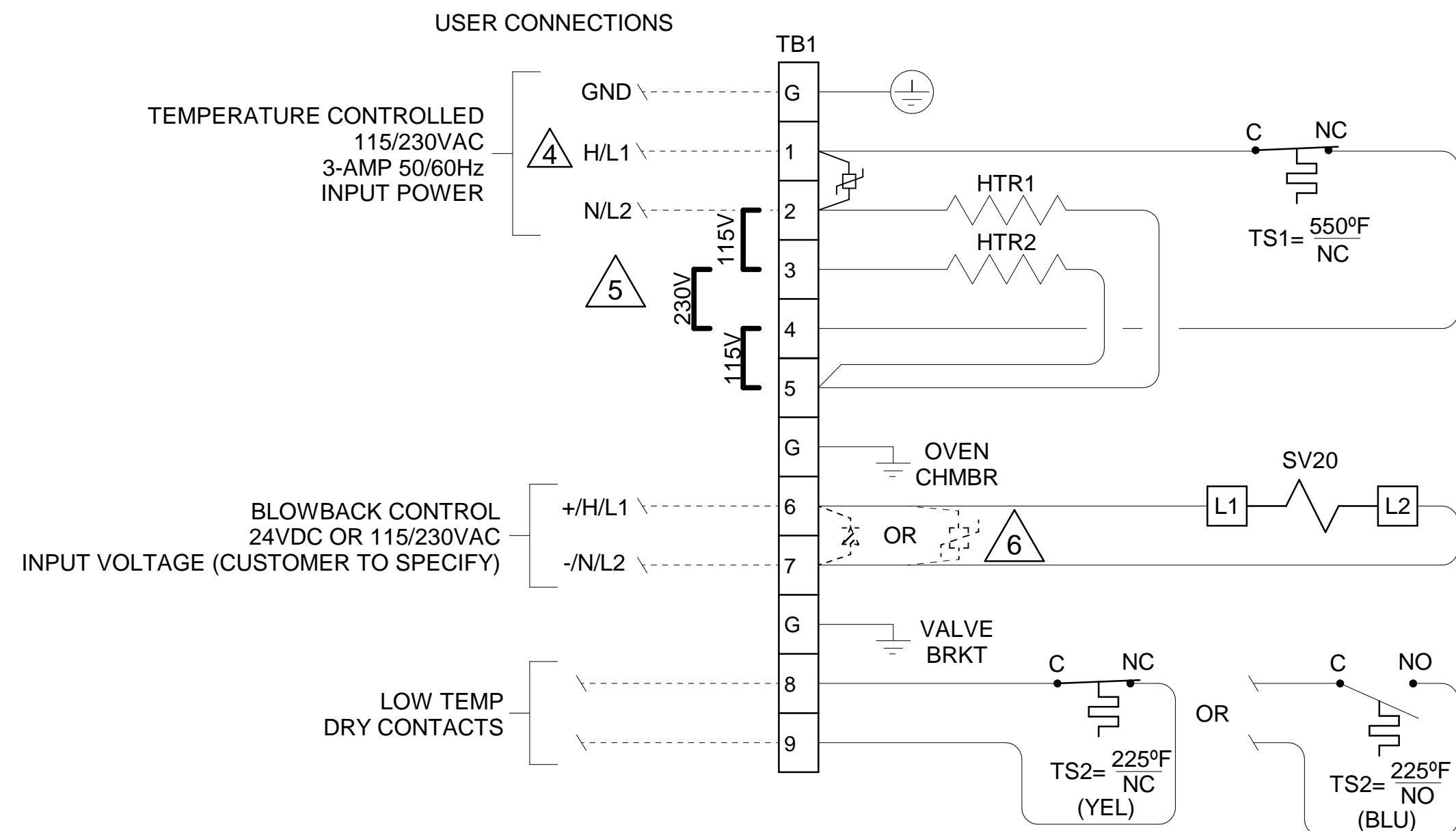
PT100 RTD OPTION
FOR REMOTE FILTER HEATER TEMP
MONITORING / CONTROL



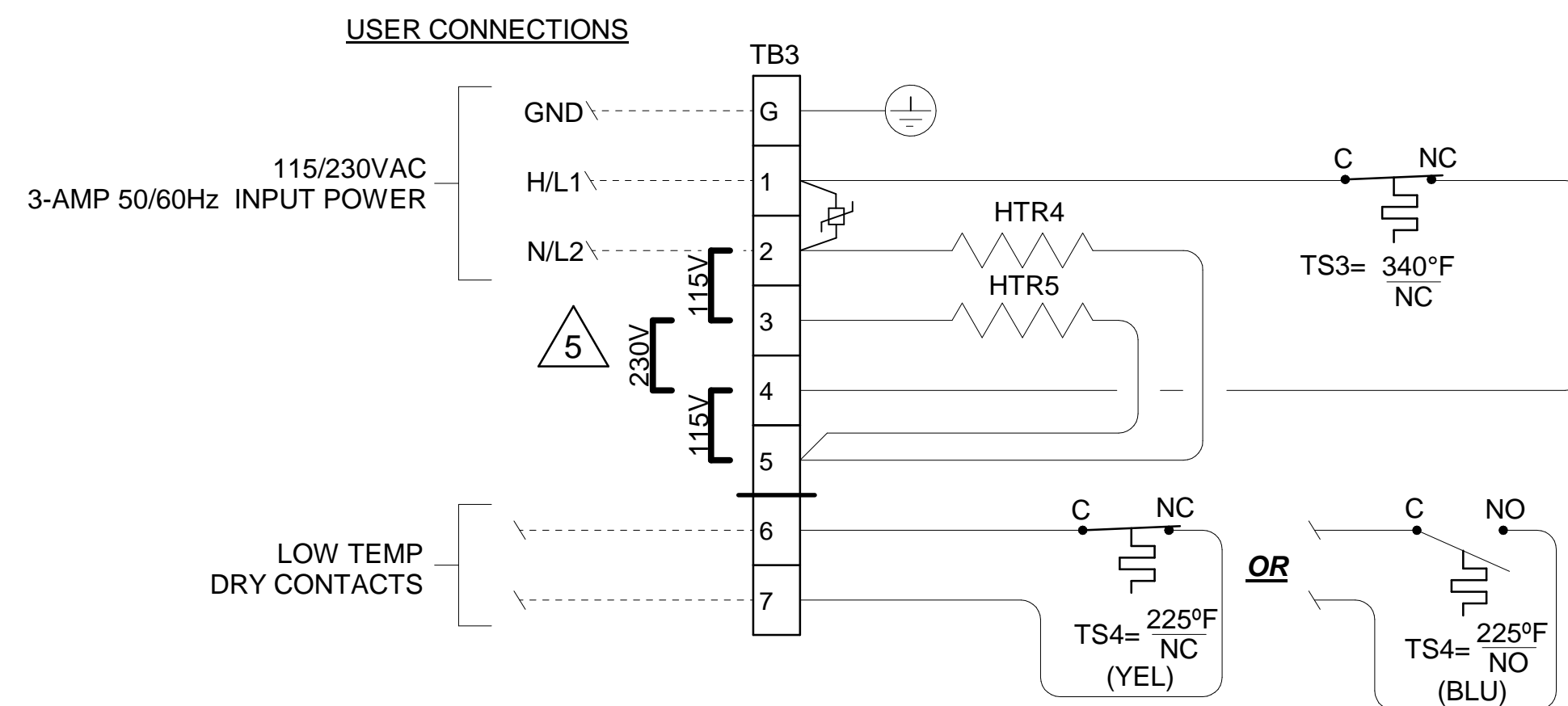
THERMOCOUPLE OPTION FOR REMOTE
FILTER HEATER TEMP
MONITORING / CONTROL
TERMINAL BLOCK P/N
+CH = 3304-0167
-AL = 3304-0168



REMOTE TEMP CONTROL



OPTIONAL BALL VALVE (BV1)
THERMAL SWITCH TEMP CONTROL



NOTES:

- 1) FILTER HEATER ROD SPECIFICATIONS (HTR1,2,4,5):
3/8" Ø X 1.5" LG @ 63 WATT/115VAC - P/N 3014-0046
- 2) OVEN TEMP. CONTROL OPTIONS (TS1 & TS3):
NORMALLY CLOSED (NC) BELOW 340°F - P/N 3103-0014
NORMALLY CLOSED (NC) BELOW 375°F - P/N 3103-0061
NORMALLY CLOSED (NC) BELOW 550°F - P/N 3103-0005
- 3) LOW TEMP ALARM OPTIONS (TS2 & TS4):
NORMALLY CLOSED (NC) BELOW 225°F (YELLOW LEADS) - P/N 3103-0013
NORMALLY OPEN (NO) BELOW 225°F (BLUE LEADS) - P/N 3103-0012
- 4) REMOTE CHAMBER HEATER CONTROL OPTION (TB1-1) WILL REQUIRE LABEL P/N 5001-0217 TO BE ATTACHED TO BACK PLATE PARALLEL TO TB1; AND THAT TEMPERATURE BE REGULATED WITH A TEMPERATURE CONTROLLING DEVICE. VERIFY THAT THE VOLTAGE BEING SUPPLIED MATCHES THE VOLTAGE RATING ON THE SERIAL TAG.
- 5) FOR VOLTAGE CHANGE IN THE FIELD FROM 115 VAC TO 230 VAC, REMOVE JUMPERS ON TB1 & TB3 AT TERMINAL LOCATIONS 2-3 & 4-5. INSERT JUMPER AT TERMINAL LOCATION 3-4.
- 6) DIODE NEEDED FOR 24V SOLENOIDS: P/N 1000-0009; MOV FOR AC SOLENOIDS: P/N 1010-1001.
7. CHASSIS GROUND MINIMUM WIRE SIZE IS 14AWG GREEN/YELLOW WIRE.

Web Doc

				S.4	12/03/20	REMOVE TS 375°F AND 550°F ON BV1	NCU	GE
MODEL 270SF W/ BLOWBACK WIRING SCHEMATICS		DATE 06/23/2006		SCALE NTS		SIZE D		SHEET 7 OF 7
PART NO.	FOR	DRAWN BY	SCALE	ECO#	SHEET			
270SF	INSTRUMENT	R. Wells	G. Evans	-	7 OF 7			
		APVD BY			DRAWING NO.			
					P1079			

FIELD TO WIRE