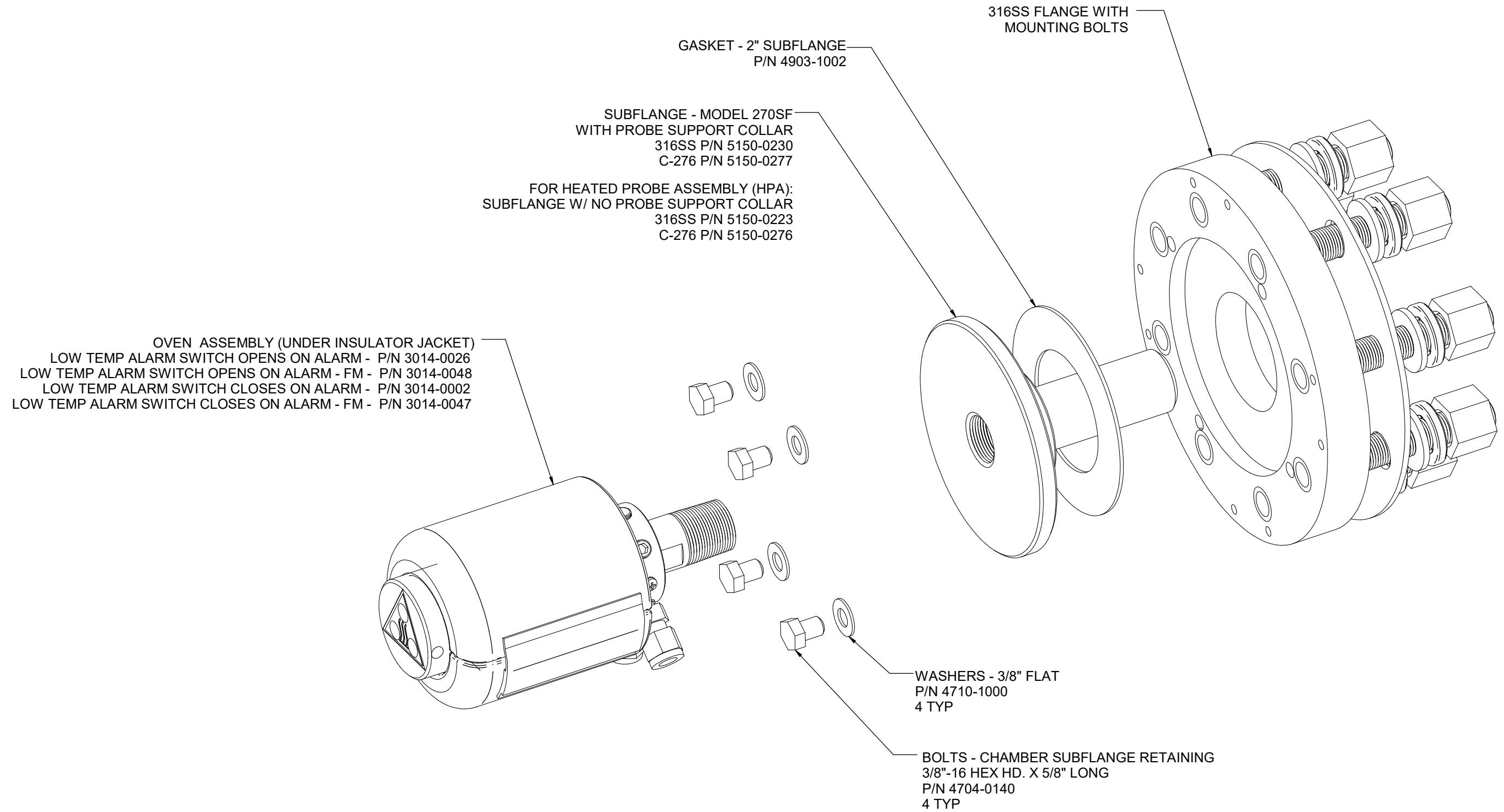
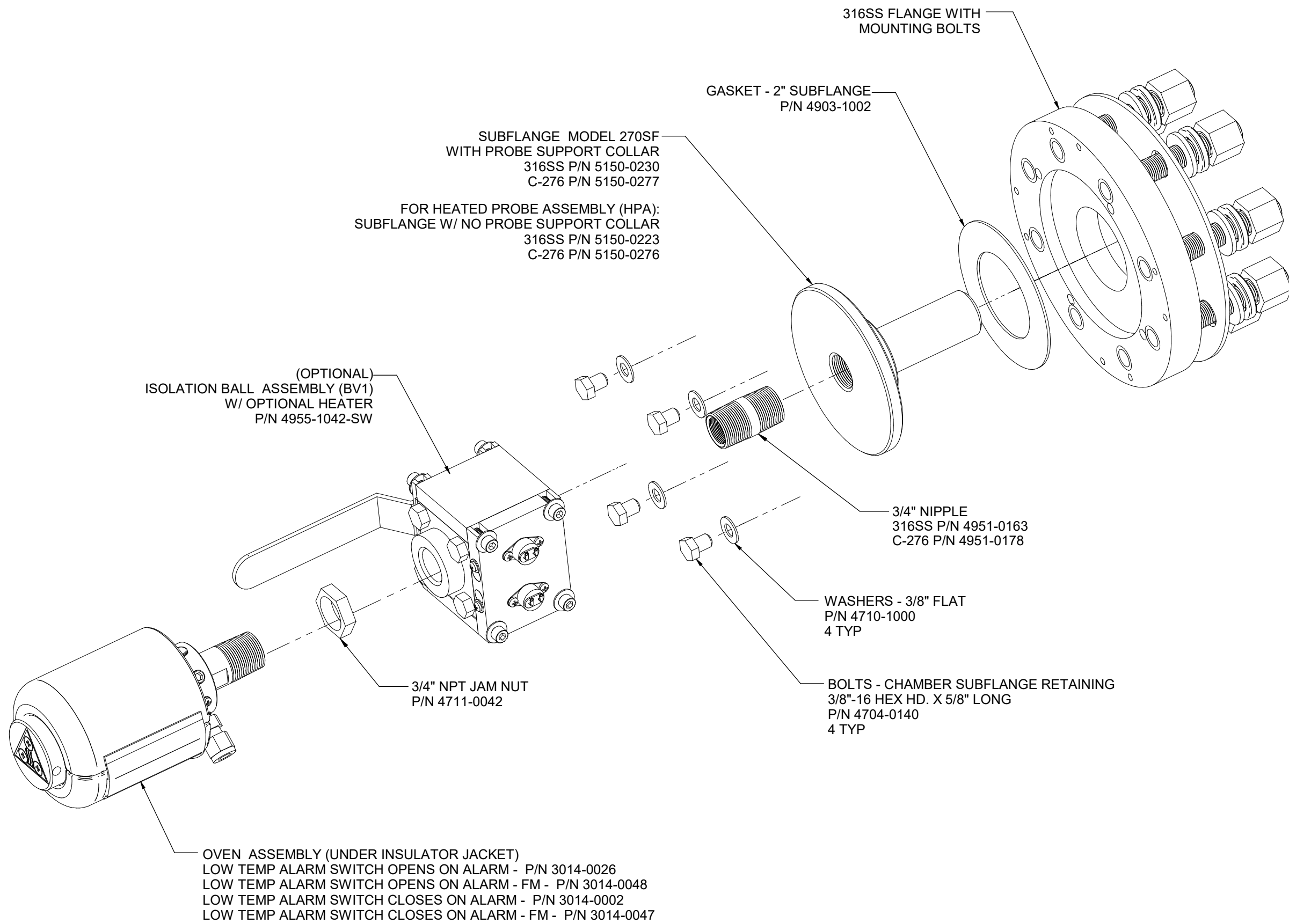



| CONFIGURATION OPTIONS |                                                                                                                 |       |
|-----------------------|-----------------------------------------------------------------------------------------------------------------|-------|
| OPTION                | DESCRIPTION                                                                                                     | DWG.  |
| -H                    | Z-PURGE HORIZONTAL                                                                                              | P1218 |
| -V                    | Z-PURGE VERTICAL                                                                                                |       |
| -A                    | AMMONIA CONVERTER                                                                                               | P1376 |
| -HR                   | TERMINALS FOR HEATED PROBE ASSEMBLY                                                                             | P1412 |
| -HJ                   |                                                                                                                 |       |
| -HK                   |                                                                                                                 |       |
| -xy                   | EXTENDED LENGTH PROBE TUBE SUPPORT<br>x= LENGTH (2 - 5FT.)<br>y= MATERIAL (S= 316SS)<br>(C= C276)<br>(T= 310SS) | P1445 |

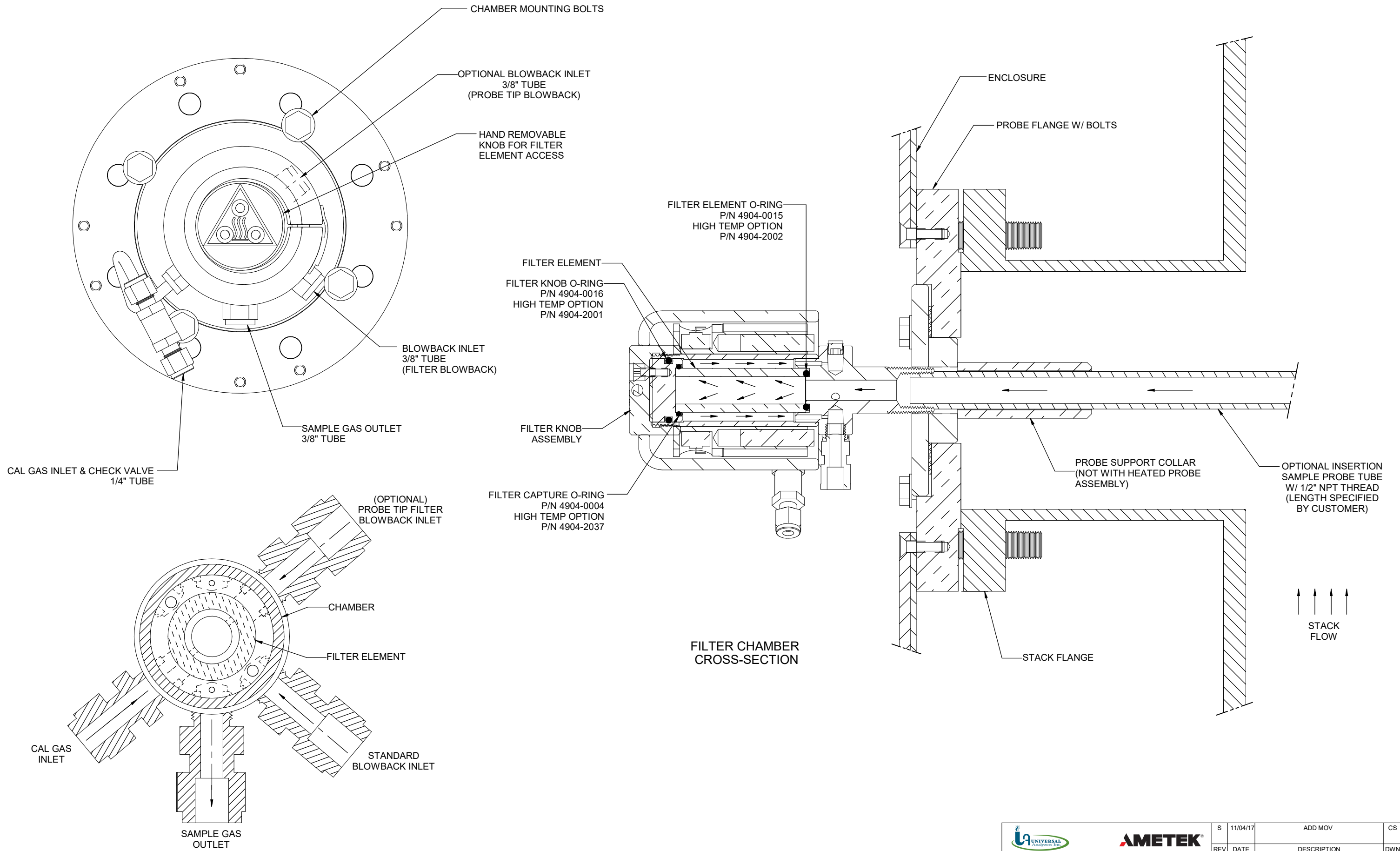
|                                                              |  |            |          |             |          |             |
|--------------------------------------------------------------|--|------------|----------|-------------|----------|-------------|
|                                                              |  | S          | 11/04/17 | ADD MOV     | CS       | EG          |
|                                                              |  | REV        | DATE     | DESCRIPTION | DWN/APVD |             |
| 5200 Convair Drive, Carson City, Nevada 89706 (775) 883-2500 |  |            |          |             |          |             |
| <b>MODEL 270SF W/ BLOWBACK LAYOUT</b>                        |  |            |          |             |          |             |
| PART NO.                                                     |  | FOR        |          | DATE        | SCALE    | SHEET       |
| 270SF                                                        |  | INSTRUMENT |          | 06/23/2006  | NTS      | 1 OF 7      |
| DRAWN BY                                                     |  | ECO#       |          | DATE        | SIZE     | DRAWING NO. |
| APVD BY                                                      |  | 2991       |          | R. Wells    | D        | P1079       |



|                                                                                                                                                                             |            |             |          |             |        |      |
|-----------------------------------------------------------------------------------------------------------------------------------------------------------------------------|------------|-------------|----------|-------------|--------|------|
|   |            | S           | 11/04/17 | ADD MOV     | CS     | EG   |
| REV                                                                                                                                                                         | DATE       | DESCRIPTION |          |             | DWN    | APVD |
| REVISIONS                                                                                                                                                                   |            |             |          |             |        |      |
| MODEL 270SF W/ BLOWBACK<br>FLANGE ASSEMBLY                                                                                                                                  |            | DATE        | SCALE    | SIZE        | SHEET  |      |
|                                                                                                                                                                             |            | 06/23/2006  | NTS      | D           | 2 OF 7 |      |
| PART NO.                                                                                                                                                                    | FOR        | DRAWN BY    | ECO#     | DRAWING NO. |        |      |
| 270SF                                                                                                                                                                       | INSTRUMENT | R. Wells    | 2991     | P1079       |        |      |
|                                                                                                                                                                             |            | APVD BY     | G. Evans |             |        |      |



|                                                                                       |      |             |          |            |             |        |
|---------------------------------------------------------------------------------------|------|-------------|----------|------------|-------------|--------|
|  |      | S           | 11/04/17 | ADD MOV    | CS          | EG     |
| REV                                                                                   | DATE | DESCRIPTION |          |            | DWN         | APVD   |
| <b>MODEL 270SF W/ BLOWBACK FLANGE ASSEMBLY</b>                                        |      |             |          |            |             |        |
| PART NO.                                                                              |      | FOR         |          | DATE       | SCALE       | SHEET  |
| 270SF                                                                                 |      | INSTRUMENT  |          | 06/23/2006 | NTS         | 3 OF 7 |
| DRAWN BY                                                                              |      | R. Wells    |          | ECO#       | DRAWING NO. |        |
| APVD BY                                                                               |      | G. Evans    |          | 2991       | P1079       |        |

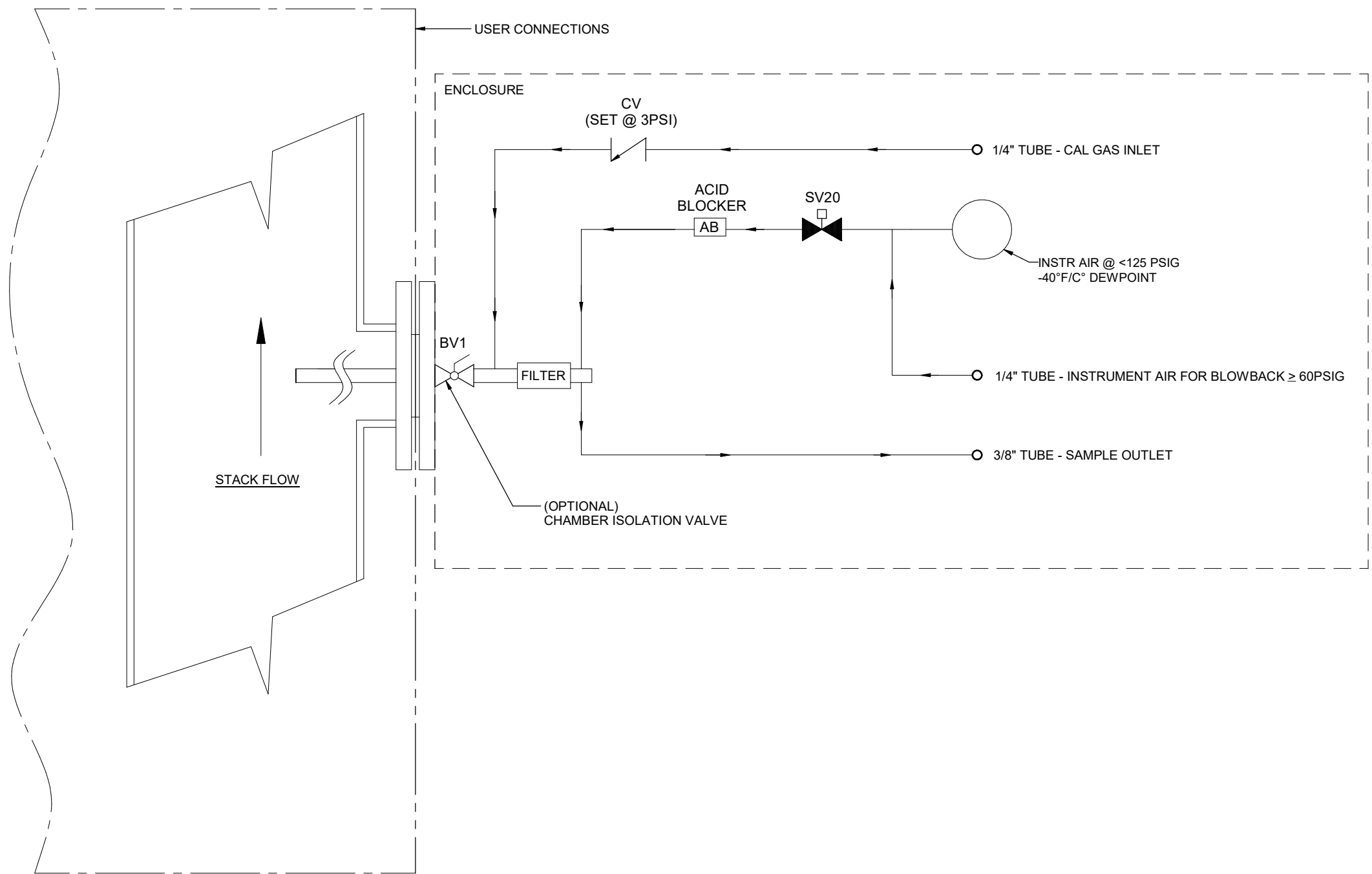


INTERNAL PORTING CONFIGURATION

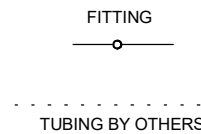
FILTER CHAMBER CROSS-SECTION

|            |            |             |          |             |          |         |      |    |
|------------|------------|-------------|----------|-------------|----------|---------|------|----|
|            |            |             |          | S           | 11/04/17 | ADD MOV | CS   | EG |
| REV        | DATE       | DESCRIPTION |          |             |          | DWN     | APVD |    |
| REVISIONS  |            |             |          |             |          |         |      |    |
| DATE       |            | SCALE       | SIZE     | SHEET       |          |         |      |    |
| 06/23/2006 |            | NTS         | D        | 4 OF 7      |          |         |      |    |
| PART NO.   | FOR        | DRAWN BY    | ECO#     | DRAWING NO. |          |         |      |    |
| 270SF      | INSTRUMENT | R. Wells    | 2991     | P1079       |          |         |      |    |
|            |            | APVD BY     | G. Evans |             |          |         |      |    |



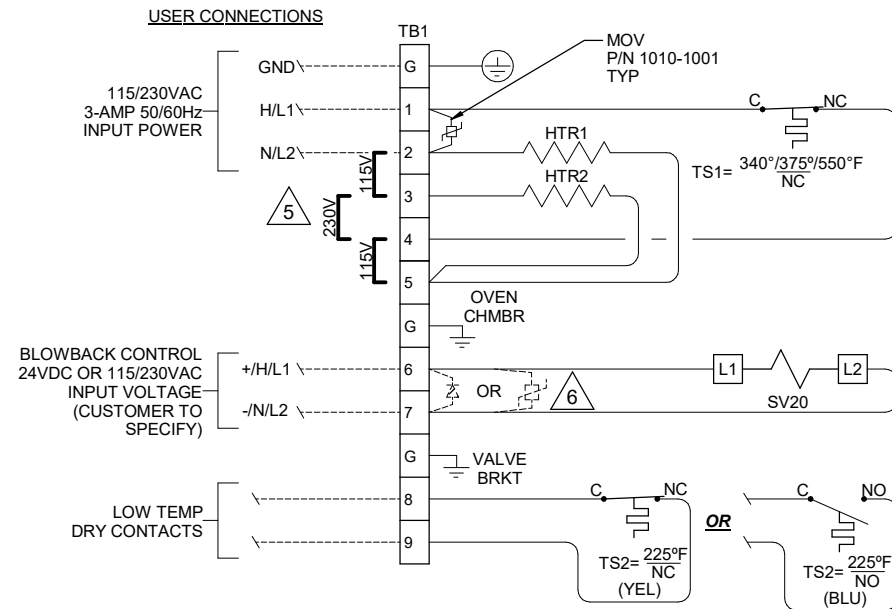


LEGEND

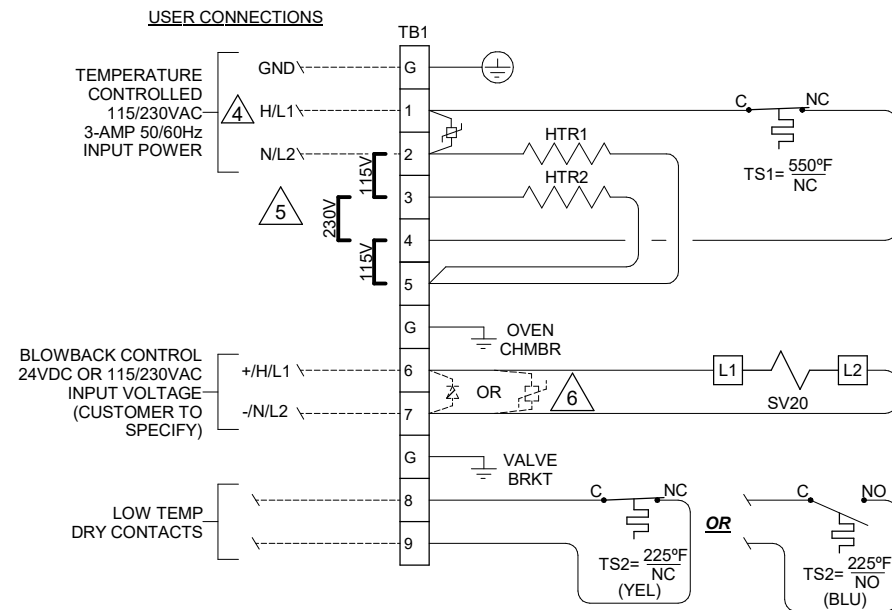


|                                                              |            |            |          |             |        |      |
|--------------------------------------------------------------|------------|------------|----------|-------------|--------|------|
|                                                              |            | S          | 11/04/17 | ADD MOV     | CS     | EG   |
|                                                              |            | REV        | DATE     | DESCRIPTION | DWN    | APVD |
| 5200 Convair Drive, Carson City, Nevada 89706 (775) 883-2500 |            |            |          |             |        |      |
| <b>MODEL 270SF W/ BLOWBACK</b><br><b>P&amp;ID</b>            |            |            |          |             |        |      |
| PART NO.                                                     | FOR        | DATE       | SCALE    | SIZE        | SHEET  |      |
| 270SF                                                        | INSTRUMENT | 06/23/2006 | NTS      | D           | 6 OF 7 |      |
| APVD BY                                                      | G. Evans   | ECO#       | 2991     | DRAWING NO. |        |      |
|                                                              |            |            |          | P1079       |        |      |

**THERMAL SWITCH TEMP CONTROL**



**REMOTE TEMP CONTROL**



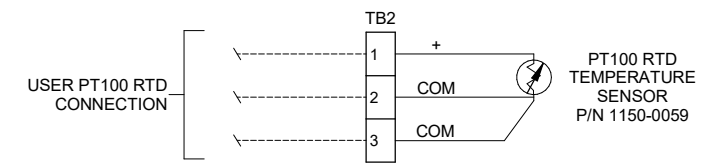
NOTES:

- 1) FILTER HEATER ROD SPECIFICATIONS (HTR1,2,4,5):  
3/8" Ø X 1.5" LG @ 63 WATT/115VAC - P/N 3014-0046
- 2) OVEN TEMP. CONTROL OPTIONS (TS1 & TS3):  
NORMALLY CLOSED (NC) BELOW 340°F - P/N 3103-0014  
NORMALLY CLOSED (NC) BELOW 375°F - P/N 3103-0061  
NORMALLY CLOSED (NC) BELOW 550°F - P/N 3103-0005
- 3) LOW TEMP ALARM OPTIONS (TS2 & TS4):  
NORMALLY CLOSED (NC) BELOW 225°F (YELLOW LEADS) - P/N 3103-0013  
NORMALLY OPEN (NO) BELOW 225°F (BLUE LEADS) - P/N 3103-0012
- 4) REMOTE CHAMBER HEATER CONTROL OPTION (TB1-1) WILL REQUIRE LABEL P/N 5001-0217 TO BE ATTACHED TO BACK PLATE PARALLEL TO TB1; AND THAT TEMPERATURE BE REGULATED WITH A TEMPERATURE CONTROLLING DEVICE. VERIFY THAT THE VOLTAGE BEING SUPPLIED MATCHES THE VOLTAGE RATING ON THE SERIAL TAG.
- 5) FOR VOLTAGE CHANGE IN THE FIELD FROM 115 VAC TO 230 VAC, REMOVE JUMPERS ON TB1 & TB3 AT TERMINAL LOCATIONS 2-3 & 4-5. INSERT JUMPER AT TERMINAL LOCATION 3-4.
- 6) DIODE NEEDED FOR 24V SOLENOIDS: P/N 1000-0009; MOV FOR AC SOLENOIDS: P/N 1010-1001.

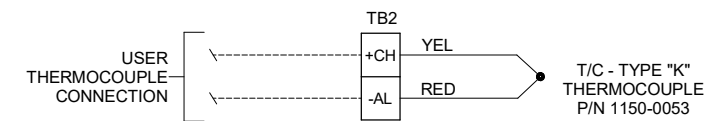
FIELD TO WIRE

**OPTIONAL**

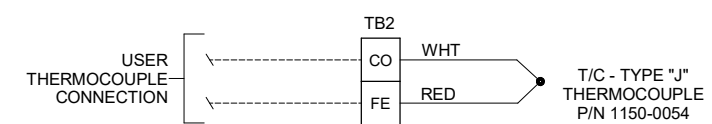
**PT100 RTD OPTION FOR REMOTE FILTER HEATER TEMP MONITORING / CONTROL**



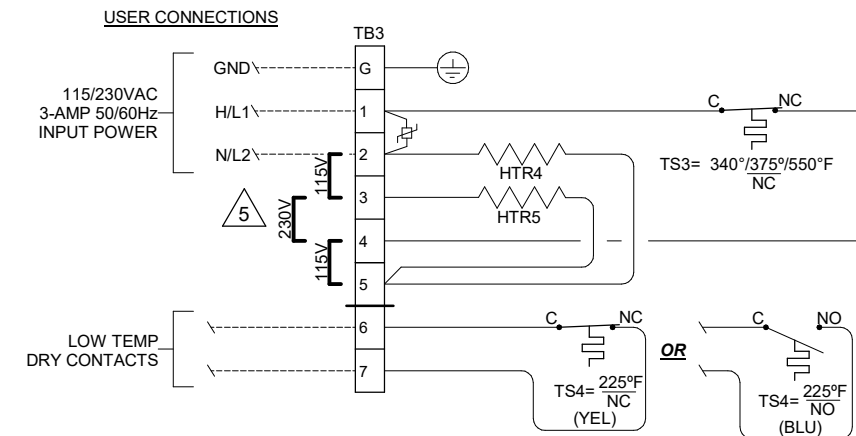
**THERMOCOUPLE OPTION FOR REMOTE FILTER HEATER TEMP MONITORING / CONTROL TERMINAL BLOCK P/N +CH = 3304-0167 -AL = 3304-0168**



**THERMOCOUPLE OPTION FOR REMOTE FILTER HEATER TEMP MONITORING / CONTROL TERMINAL BLOCK P/N CO = 3304-0171 FE = 3304-0172**



**OPTIONAL BALL VALVE (BV1) THERMAL SWITCH TEMP CONTROL**



|            |            |             |          |         |             |    |
|------------|------------|-------------|----------|---------|-------------|----|
|            |            | S           | 11/04/17 | ADD MOV | CS          | EG |
| REV        | DATE       | DESCRIPTION |          |         | DWN/APVD    |    |
| REVISIONS  |            |             |          |         |             |    |
| DATE       |            | SCALE       | NTS      | SIZE    | SHEET       |    |
| 06/23/2006 |            |             |          | D       | 7 OF 7      |    |
| PART NO.   | FOR        | DRAWN BY    | R. Wells | ECO#    | DRAWING NO. |    |
| 270SF      | INSTRUMENT | APVD BY     | G. Evans | 2991    | P1079       |    |