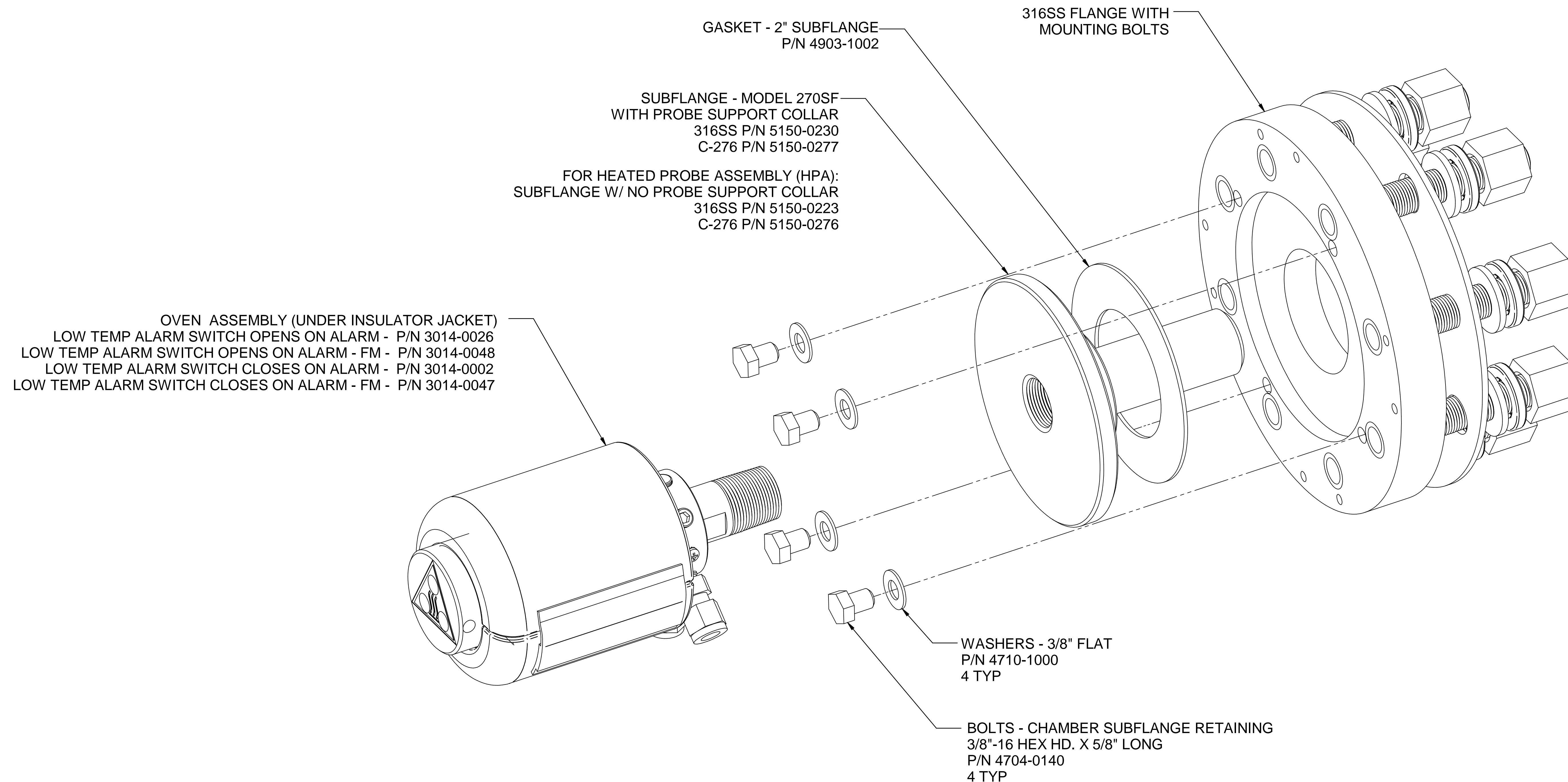


| CONFIGURATION OPTIONS | | |
|-----------------------|--|-------|
| OPTION | DESCRIPTION | DWG. |
| -H | Z-PURGE HORIZONTAL | P1218 |
| -V | Z-PURGE VERTICAL | |
| -A | AMMONIA CONVERTER | P1376 |
| -HR | TERMINALS FOR HEATED | P1412 |
| -HJ | PROBE ASSEMBLY | |
| -HK | | |
| -xy | EXTENDED LENGTH PROBE TUBE SUPPORT x= LENGTH (2 - 5FT.) y= MATERIAL (S= 316SS) (C= C276) (T= 310SS) | P1445 |

Web Doc

| | | |
|---------------------------------|----------------|---|
| | | L.2 12/03/20 REMOVE TS 375°F AND 550°F ON BV1 NCU GE |
| REV DATE | DESCRIPTION | DWN APVD |
| MODEL 270SF W/O BLOWBACK LAYOUT | | |
| PART NO. 270SF | FOR INSTRUMENT | REVISIONS DATE 06/23/2006 SCALE NTS SIZE D SHEET 1 OF 7 DRAWN BY R. Wells ECO# APVD BY G. Evans |



OVEN ASSEMBLY (UNDER INSULATOR JACKET)
 LOW TEMP ALARM SWITCH OPENS ON ALARM - P/N 3014-0026
 LOW TEMP ALARM SWITCH OPENS ON ALARM - FM - P/N 3014-0048
 LOW TEMP ALARM SWITCH CLOSSES ON ALARM - P/N 3014-0002
 LOW TEMP ALARM SWITCH CLOSSES ON ALARM - FM - P/N 3014-0047

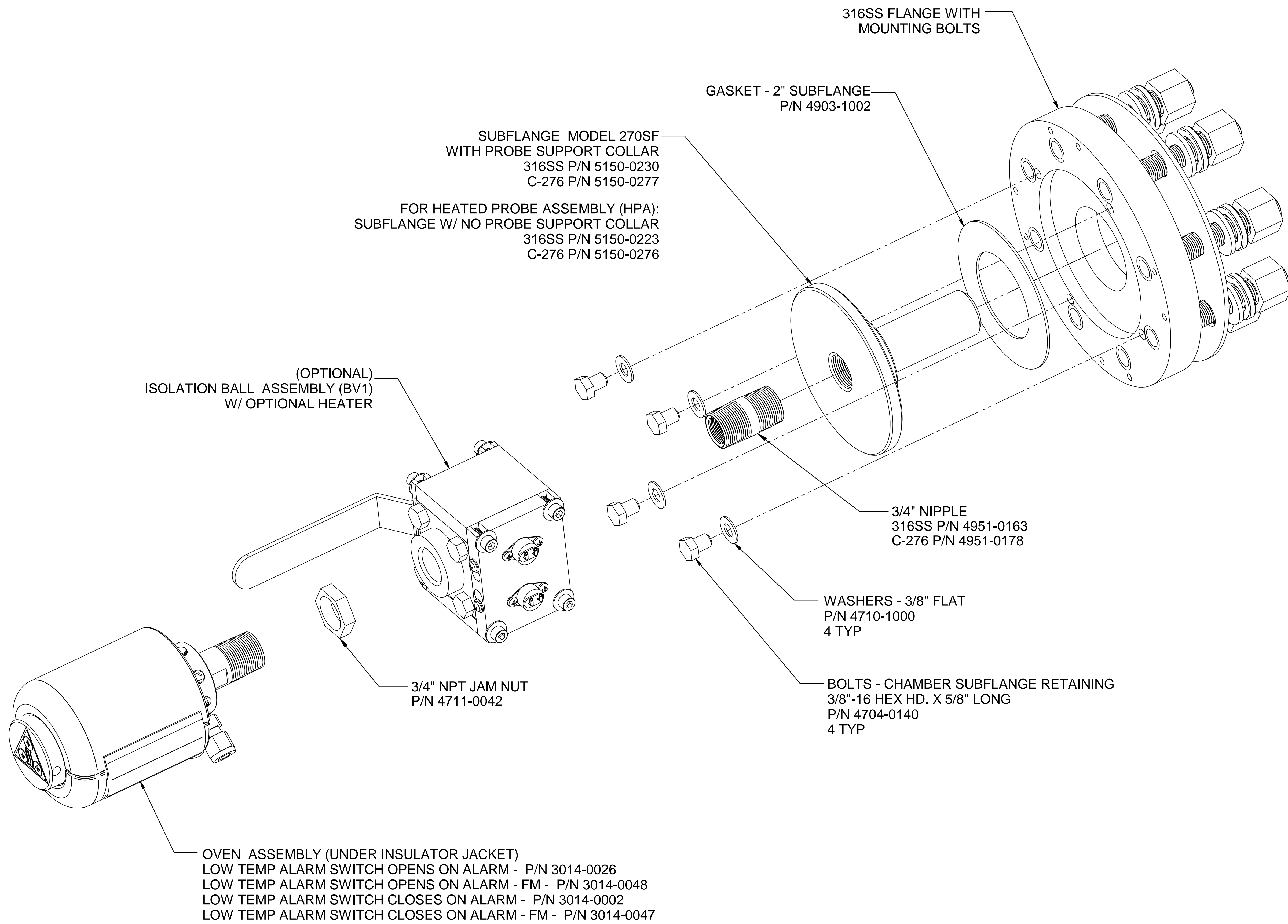
FOR HEATED PROBE ASSEMBLY (HPA):
 SUBFLANGE W/ NO PROBE SUPPORT COLLAR
 316SS P/N 5150-0223
 C-276 P/N 5150-0276

WASHERS - 3/8" FLAT
 P/N 4710-1000
 4 TYP



BOLTS - CHAMBER SUBFLANGE RETAINING
 3/8"-16 HEX HD. X 5/8" LONG
 P/N 4704-0140
 4 TYP

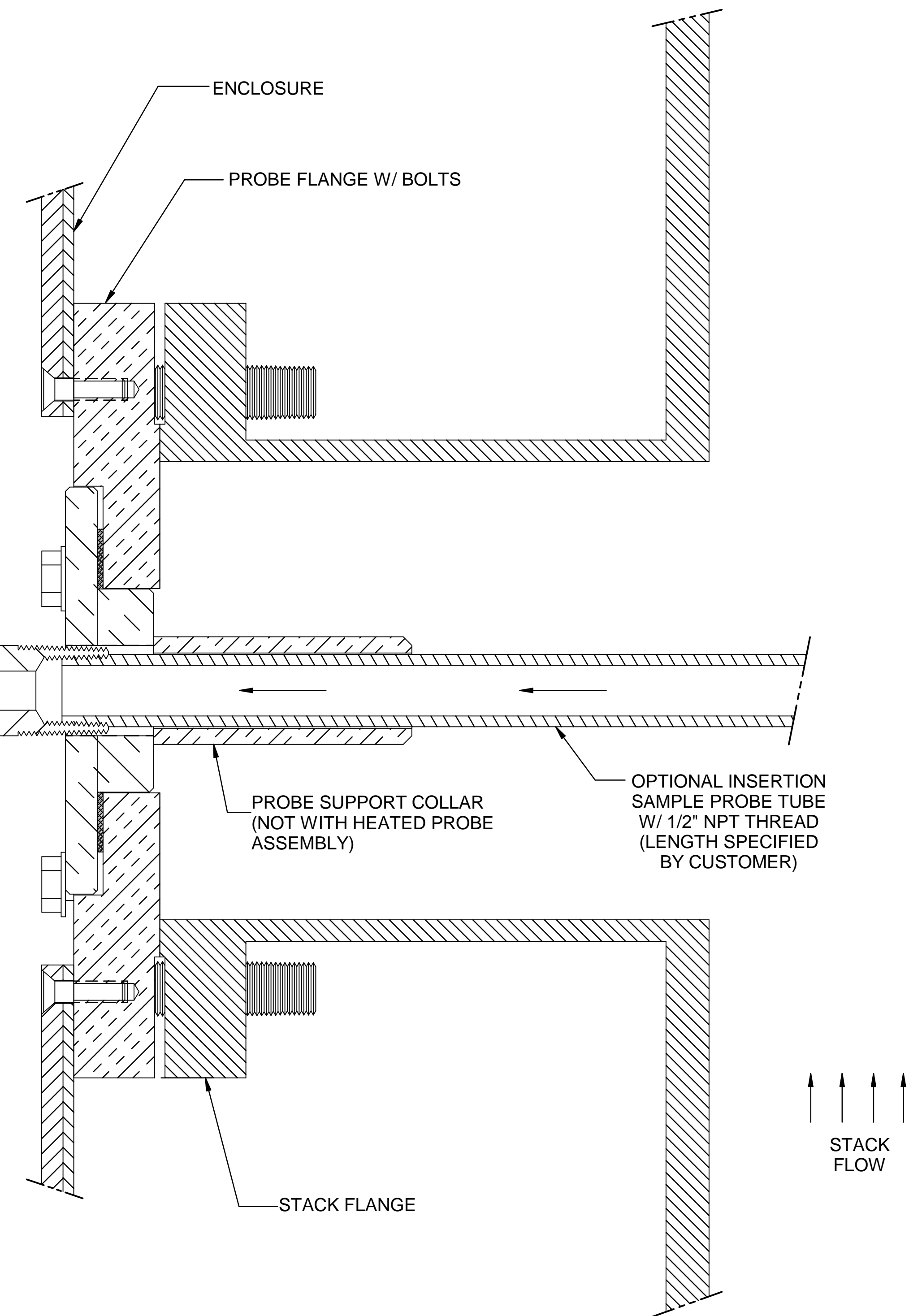
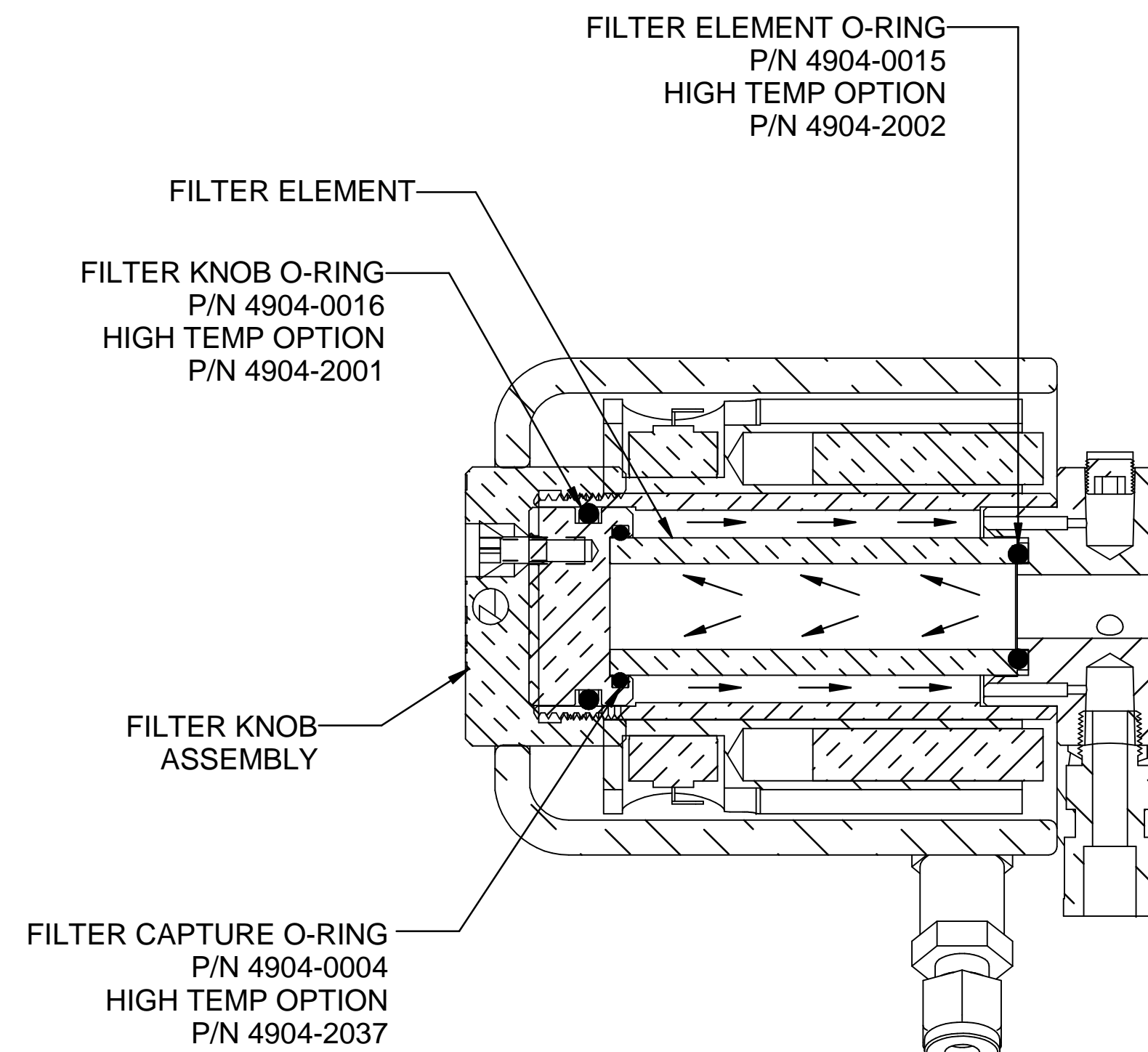
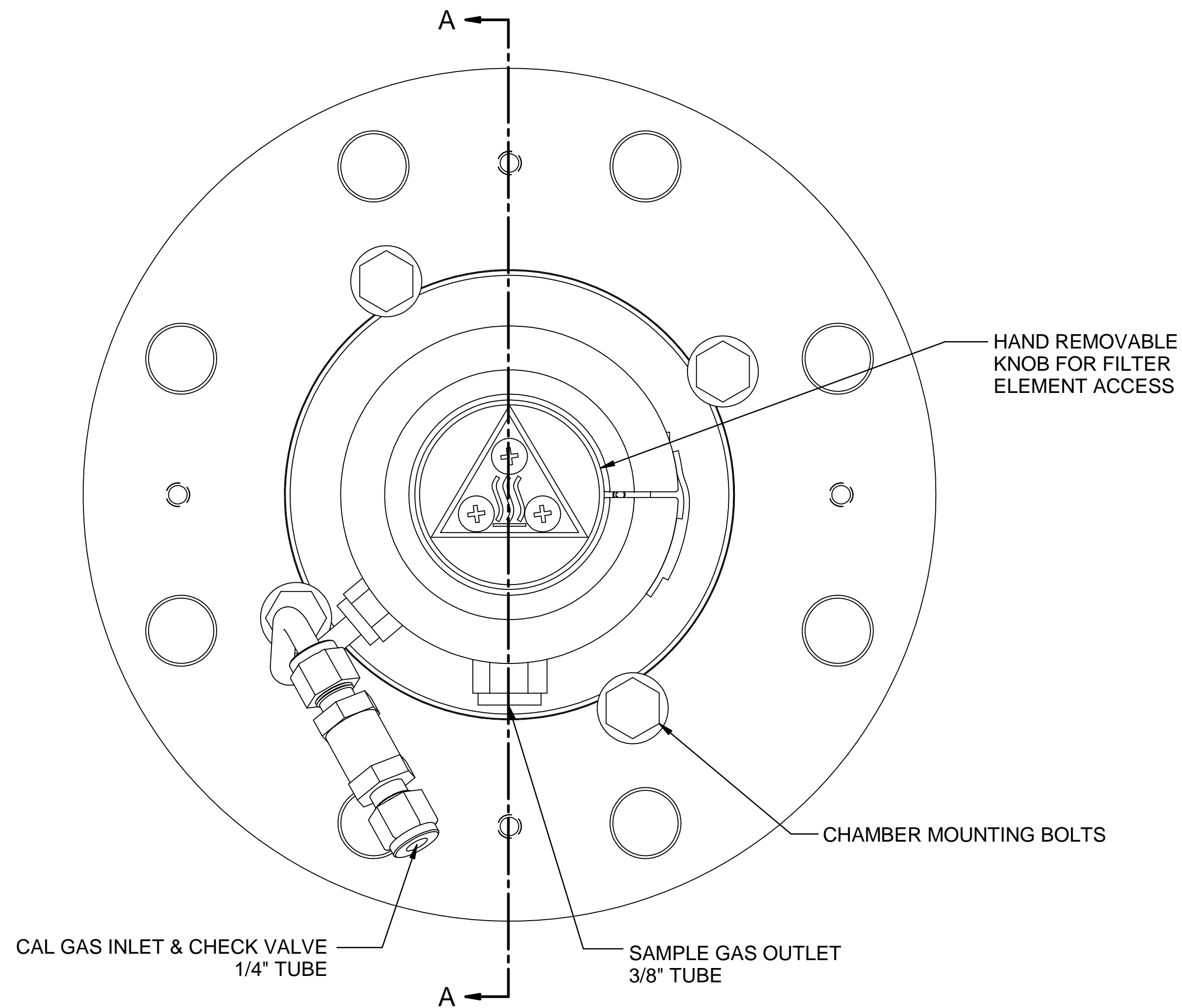
Web Doc

| | | | | | | | | | | |
|--|------|--------------------------|--|------------|-------|-------------|----------|----------------------------------|-----|----|
| 5200 Convoir Drive Carson City, NV 89706 PH(775)883-2500 FAX (775)883-6388 | | UNIVERSAL Analyzers Inc. | | AMETEK | | L.2 | 12/03/20 | REMOVE TS 375°F AND 550°F ON BV1 | NCU | GE |
| REV | DATE | DESCRIPTION | | | | DWN | APVD | | | |
| MODEL 270SF W/O BLOWBACK FLANGE ASSEMBLY | | | | | | | | | | |
| PART NO. | | FOR | | DATE | SCALE | SIZE | SHEET | | | |
| 270SF | | INSTRUMENT | | 06/23/2006 | NTS | D | 2 OF 7 | | | |
| APVD BY | | DRAWN BY | | ECO# | | DRAWING NO. | | | | |
| G. Evans | | R. Wells | | - | | P1078 | | | | |

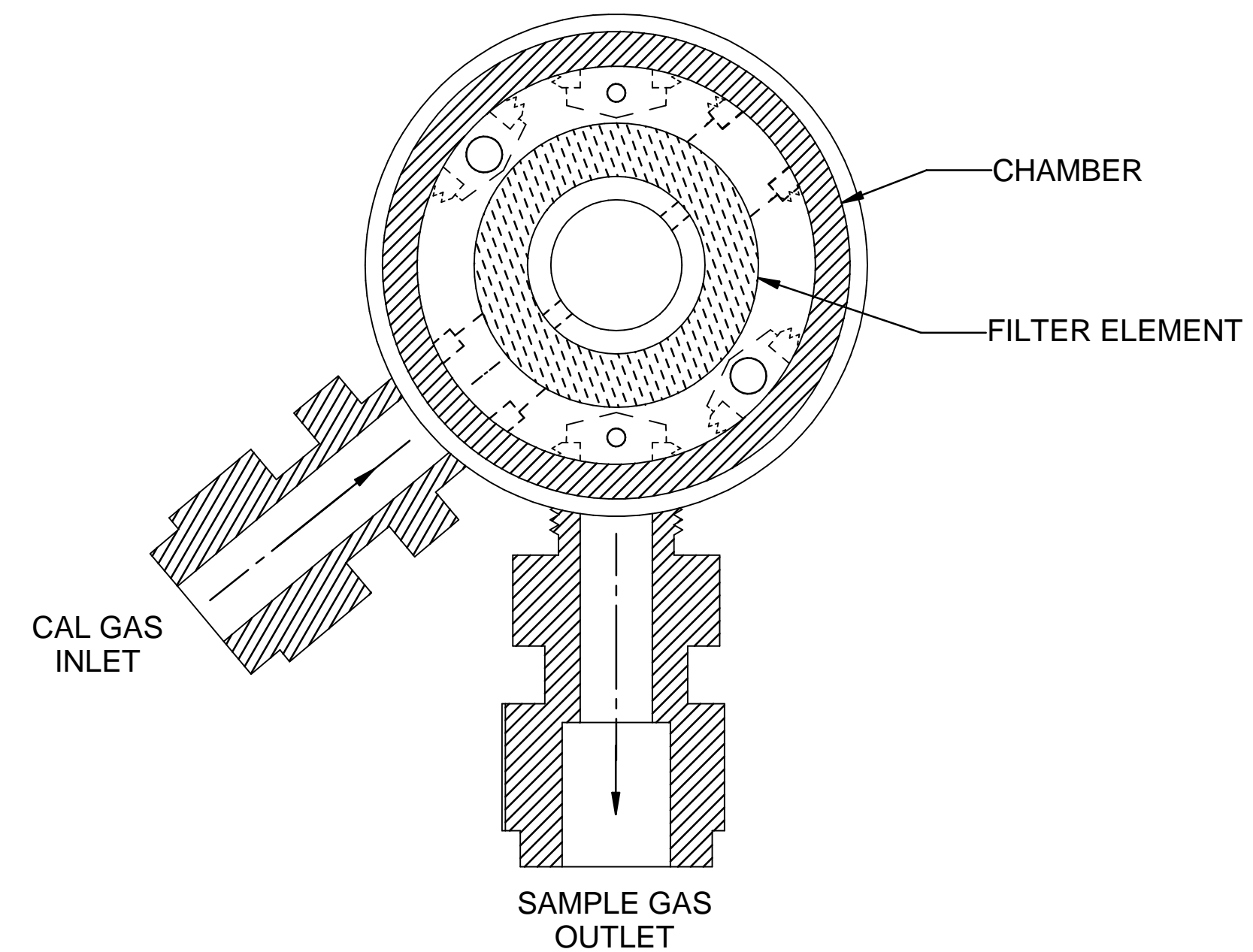


Web Doc

| | | | |
|---|------------|--|-------------|
|   | | 5200 Convair Drive Carson City, NV 89706 PH(775)883-2500 FAX (775)883-6388 | |
| REV | DATE | DESCRIPTION | DWN/APVD |
| L.2 | 12/03/20 | REMOVE TS 375°F AND 550°F ON BV1 | NCU/GE |
| REVISIONS | | | |
| DATE | SCALE | SIZE | SHEET |
| 06/23/2006 | NTS | D | 3 OF 7 |
| PART NO. | FOR | DRAWN BY | ECO# |
| 270SF | INSTRUMENT | R. Wells | - |
| APVD BY | | | DRAWING NO. |
| G. Evans | | | P1078 |



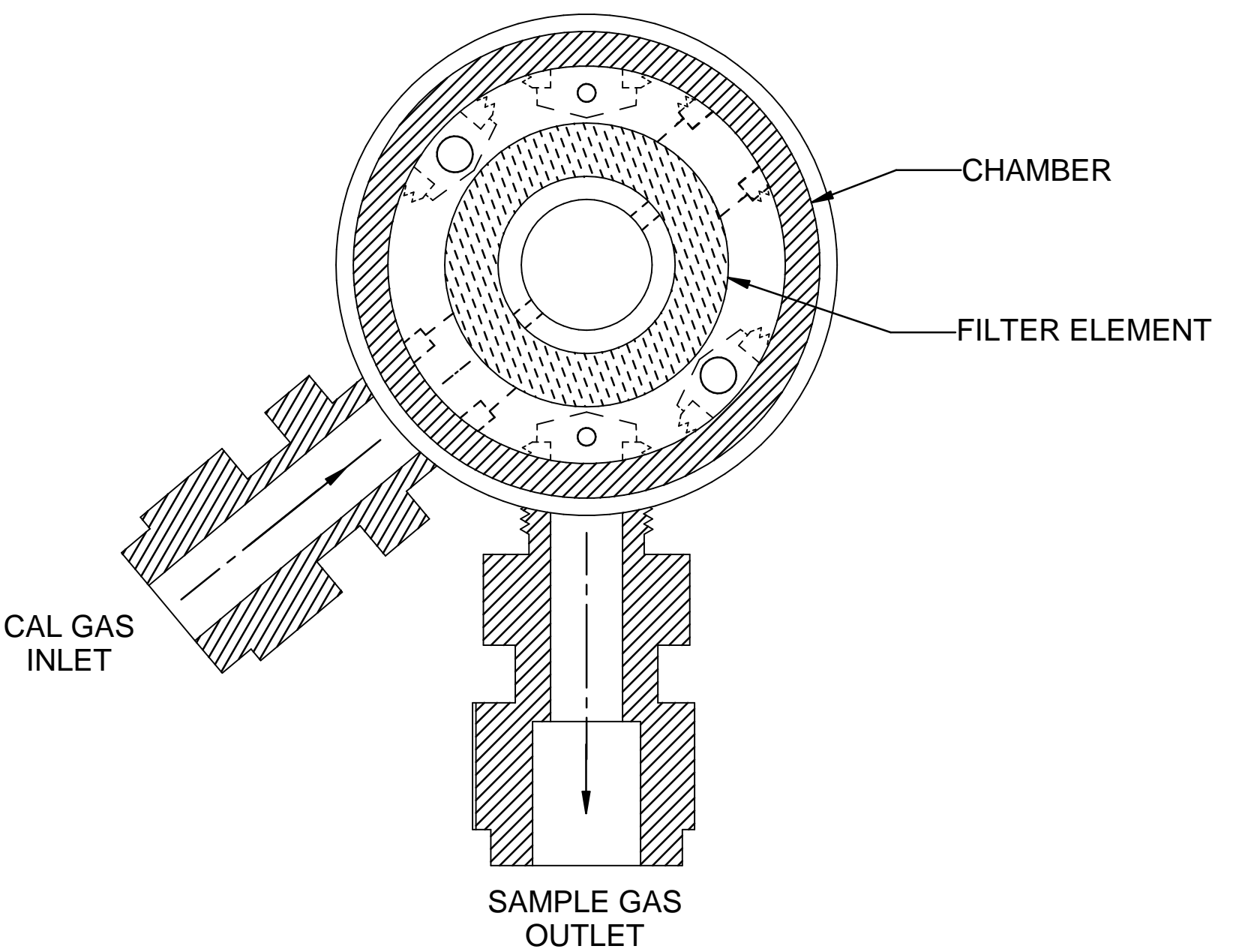
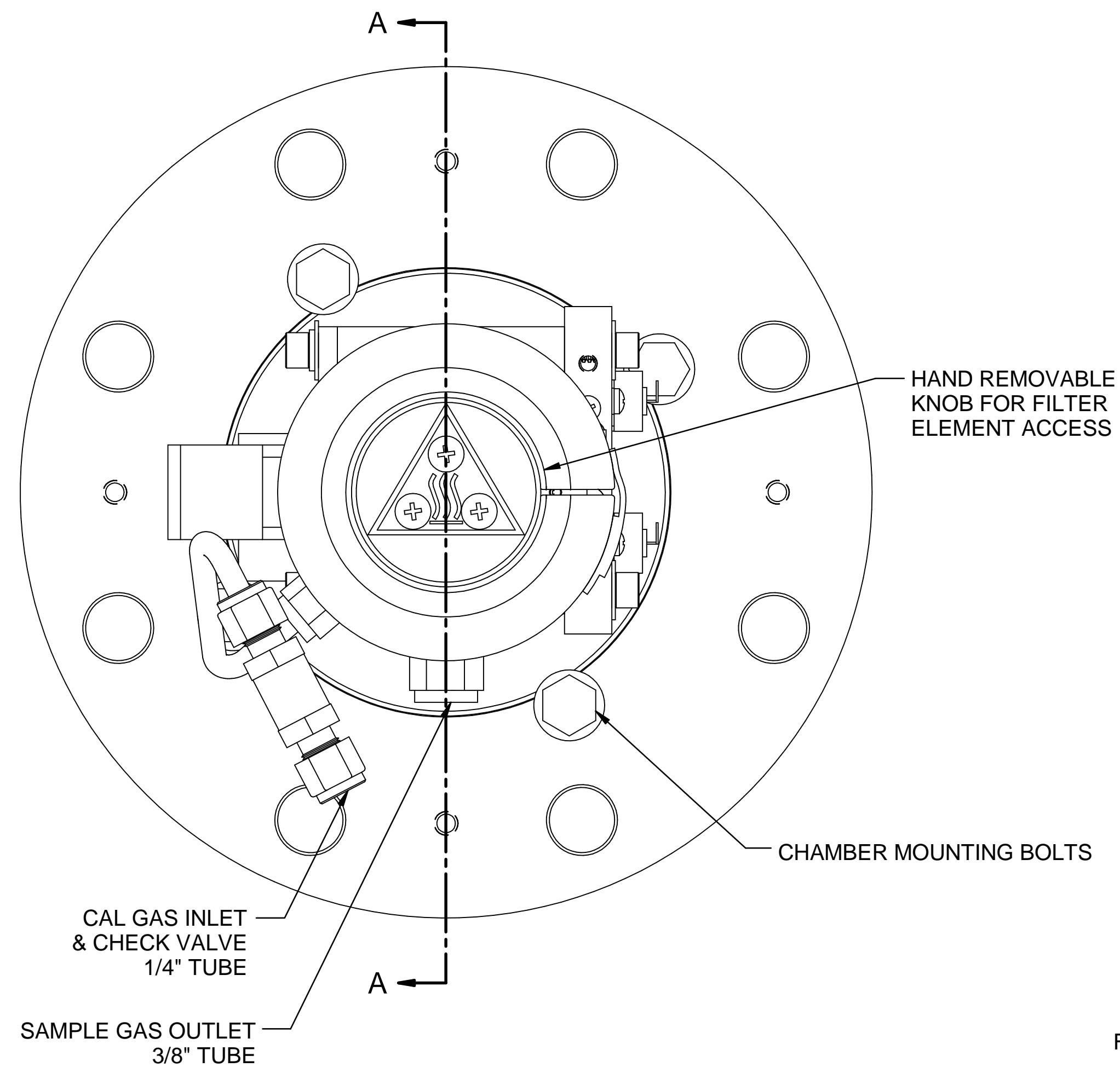
SECTION A-A



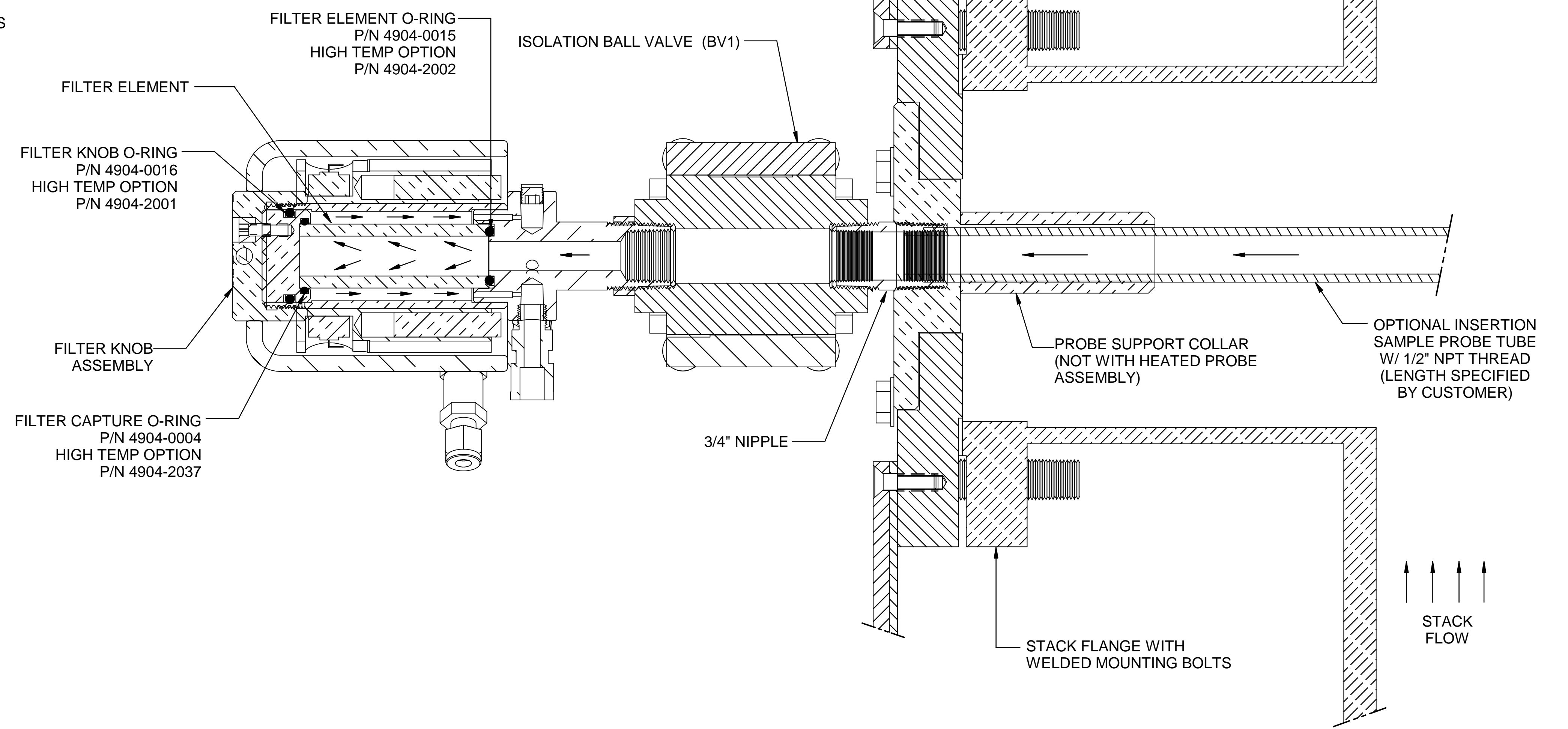
INTERNAL PORTING CONFIGURATION

Web Doc

| | | | | | | |
|------------|------------|-------------|----------|----------------------------------|-------------|------|
| | | L.2 | 12/03/20 | REMOVE TS 375°F AND 550°F ON BV1 | NCU | GE |
| REV | DATE | DESCRIPTION | | | DWN | APVD |
| REVISIONS | | | | | | |
| DATE | SCALE | SIZE | SHEET | | | |
| 06/23/2006 | NTS | D | 4 OF 7 | | | |
| PART NO. | FOR | DRAWN BY | R. Wells | ECO# | DRAWING NO. | |
| 270SF | INSTRUMENT | APVD BY | G. Evans | - | P1078 | |



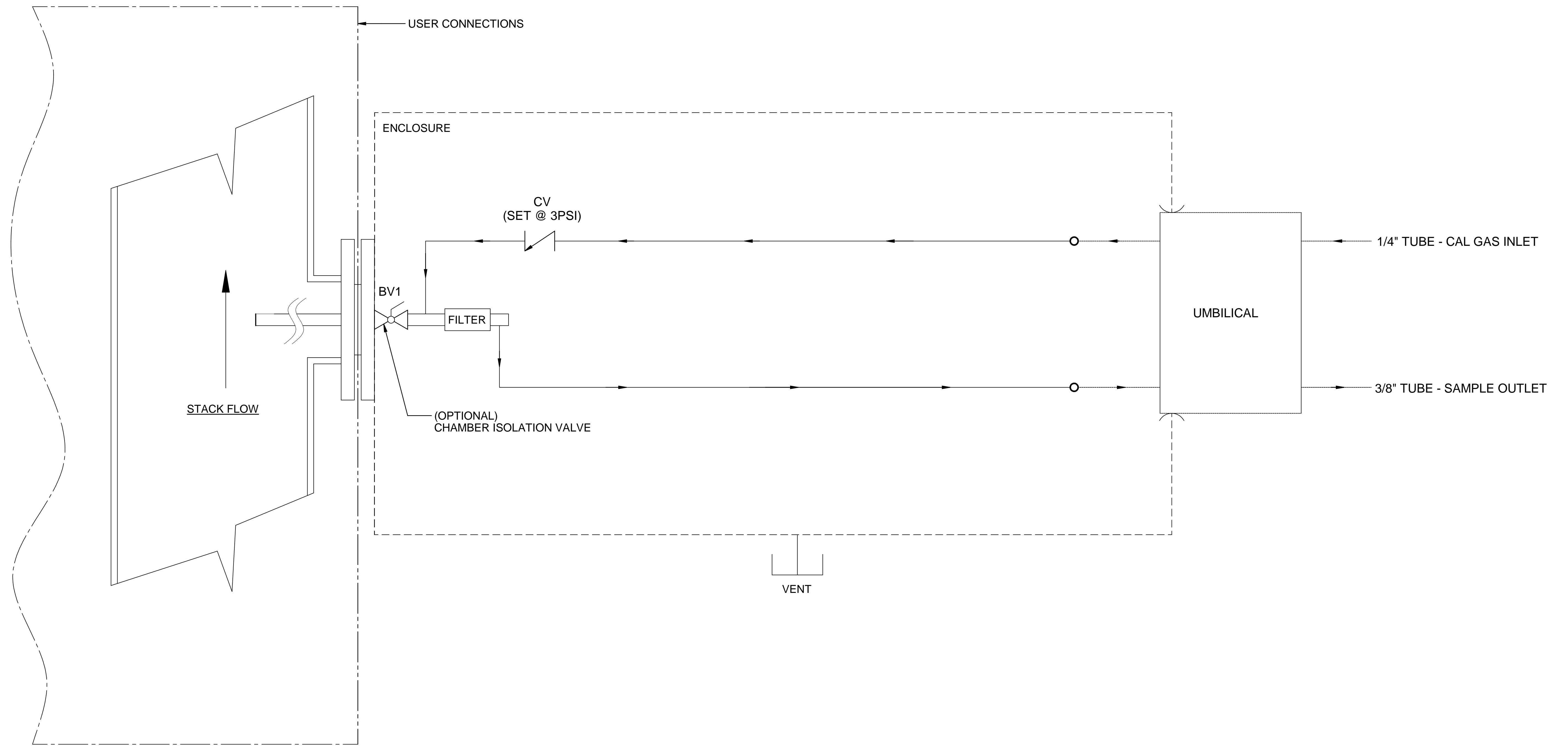
INTERNAL PORTING CONFIGURATION



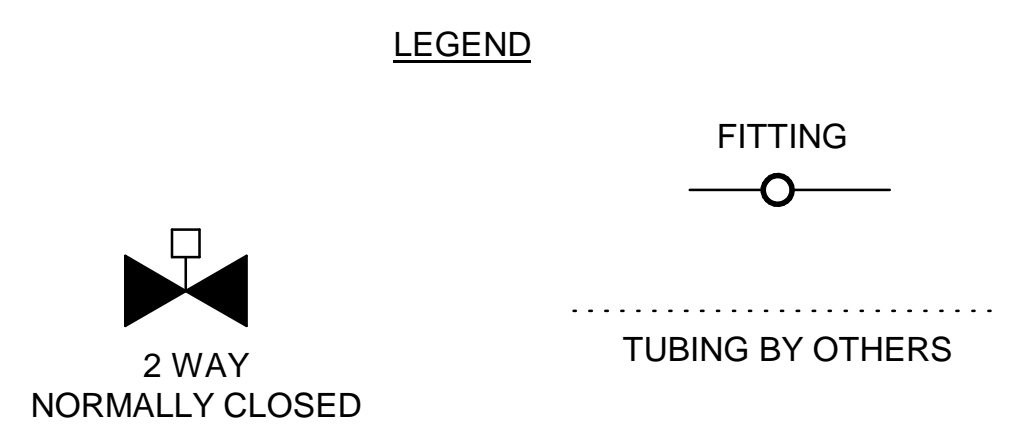
SECTION A-A

Web Doc

| | | | | | | |
|--|------|-------------|----------|----------------------------------|--------|------|
| | | L.2 | 12/03/20 | REMOVE TS 375°F AND 550°F ON BV1 | NCU | GE |
| REV | DATE | DESCRIPTION | | | DWN | APVD |
| MODEL 270SF W/O BLOWBACK FILTER CHAMBER CROSS-SECTION | | | | | | |
| PART NO. | | FOR | | DATE | SCALE | SIZE |
| 270SF | | INSTRUMENT | | 06/23/2006 | NTS | D |
| APVD BY | | DRAWN BY | | ECO# | SHEET | |
| G. Evans | | R. Wells | | - | 5 OF 7 | |
| | | | | DRAWING NO. | | |
| | | | | P1078 | | |



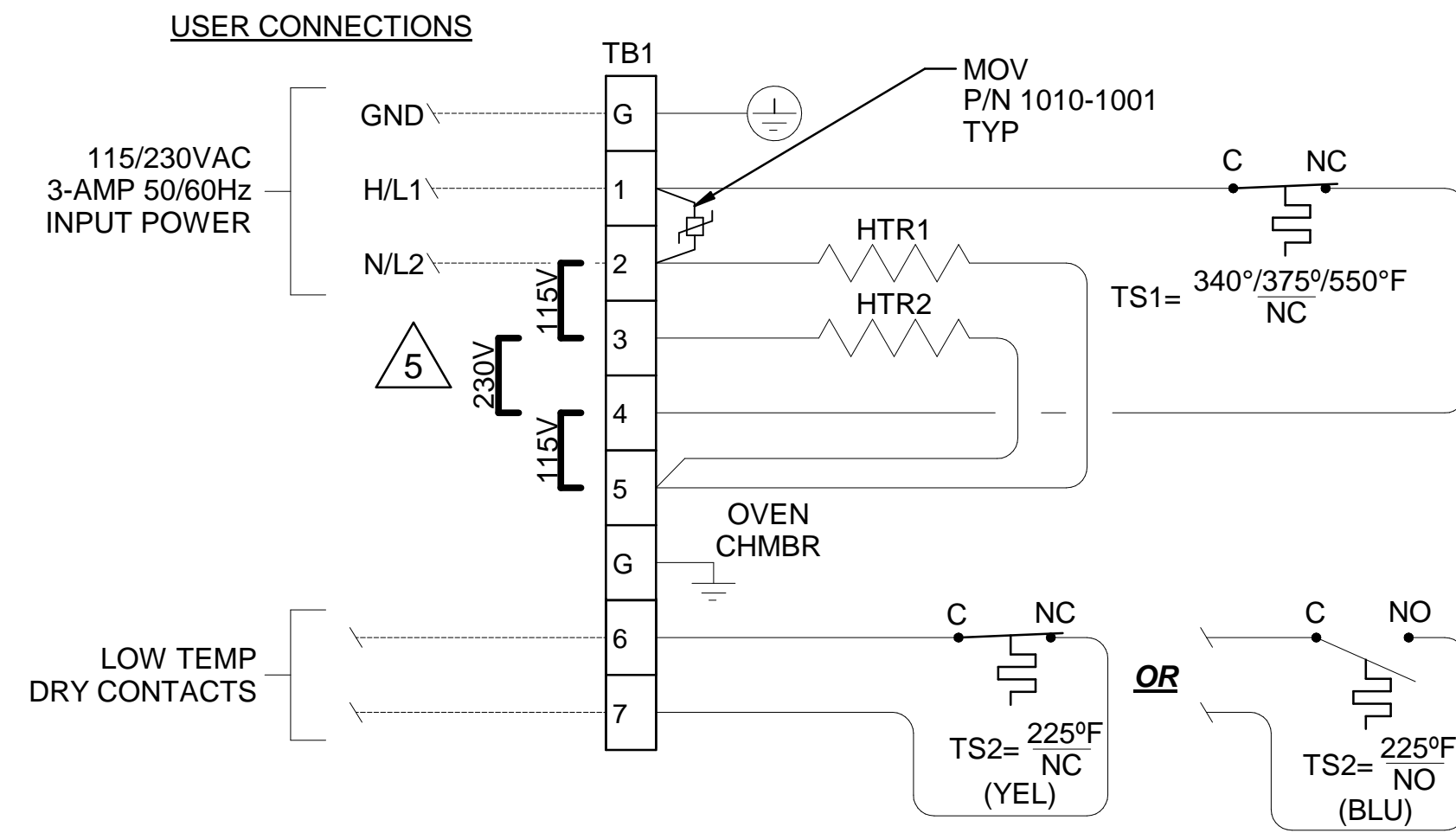
| ITEM | QTY | DESCRIPTION | UAI PART NO. |
|------|-----|---|-----------------|
| BV1 | 1 | VALVE, BALL 3/4" FNPT, UNHEATED ISOLATION VALVE FOR SFU, SFV CONFIGURATIONS | 4955-1042-SW |
| BV1 | 1 | VALVE, BALL 3/4" FNPT, UNHEATED ISOLATION VALVE FOR NFU, NfV CONFIGURATIONS | 4955-1042-SW-SN |
| BV1 | 1 | VALVE, BALL 3/4" FNPT, UNHEATED ISOLATION VALVE FOR SHFU, SHFV CONFIGURATIONS | 4955-0269 |
| BV1 | 1 | VALVE, BALL 3/4" FNPT, UNHEATED ISOLATION VALVE FOR NHFU, NHFV CONFIGURATIONS | 4955-0269-SN |
| BV1 | 1 | VALVE, BALL 3/4" FNPT, UNHEATED ISOLATION VALVE FOR CFU, CFV CONFIGURATIONS | 4955-1058-SW |
| BV1 | 1 | VALVE, BALL 3/4" FNPT, UNHEATED ISOLATION VALVE FOR CHFU, CHFV CONFIGURATIONS | 4955-1061-SW |
| CV | 1 | CHECK VALVE, 1/4" TUBE | 4955-0148 |



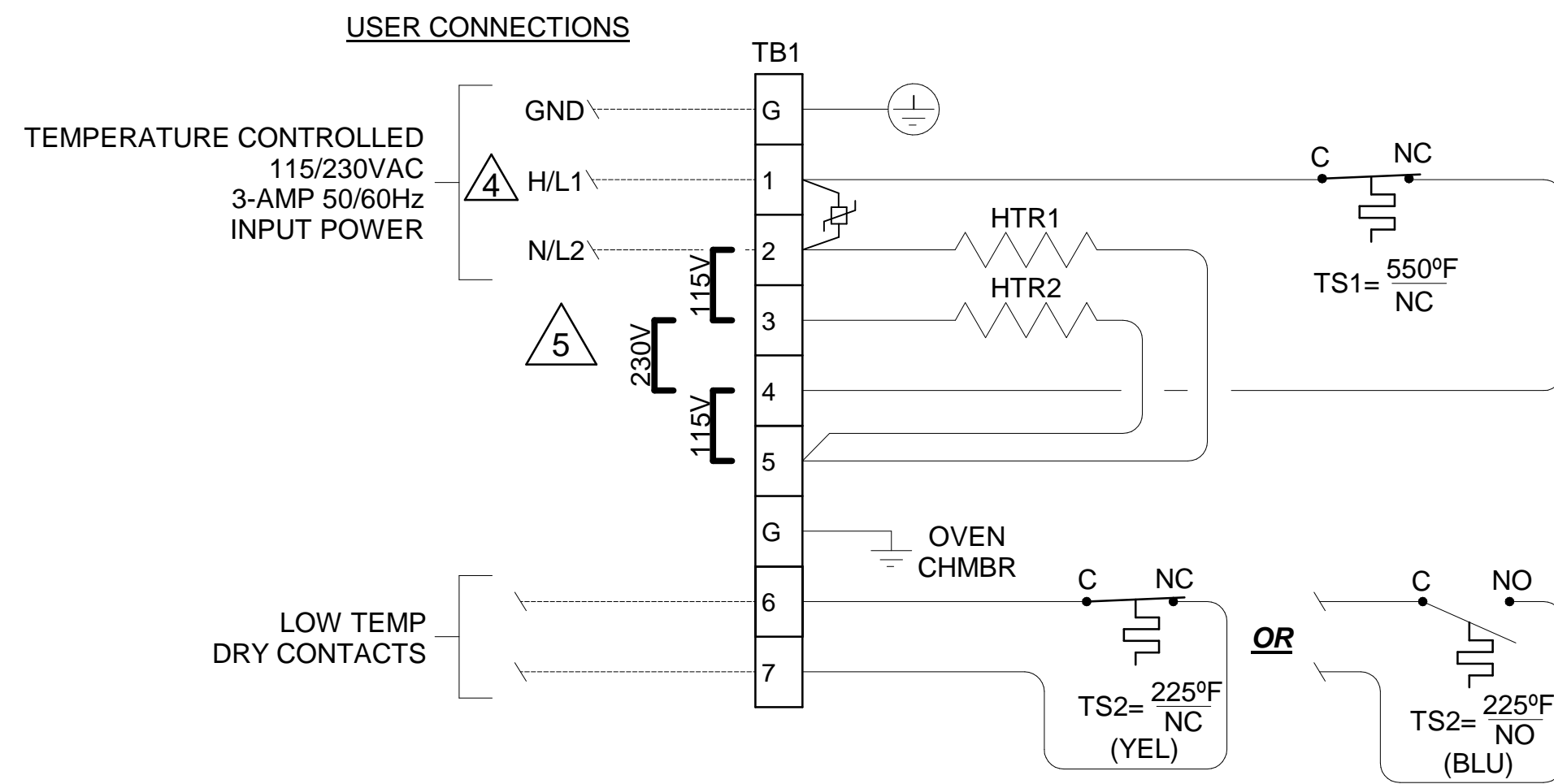
Web Doc

| | | | |
|--|----------|--|----------|
| | | 5200 Convair Drive Carson City, NV 89706 PH(775)883-2500 FAX (775)883-6388 | |
| REV | DATE | DESCRIPTION | DWN/APVD |
| L.2 | 12/03/20 | REMOVE TS 375°F AND 550°F ON BV1 | NCU GE |
| MODEL 270SF W/O BLOWBACK P&ID | | DATE | SHEET |
| PART NO. 270SF | | 06/23/2006 | 6 OF 7 |
| FOR INSTRUMENT | | SCALE NTS | SIZE D |
| DRAWN BY R. Wells | | ECO# | P1078 |
| APVD BY G. Evans | | | |

THERMAL SWITCH TEMP CONTROL



REMOTE TEMP CONTROL



NOTES:

- 1) FILTER HEATER ROD SPECIFICATIONS (HTR1,2,4,5):
3/8" Ø X 1.5" LG @ 63 WATT/115VAC - P/N 3014-0046
- 2) OVEN TEMP. CONTROL OPTIONS (TS1 & TS3):
NORMALLY CLOSED (NC) BELOW 340°F - P/N 3103-0014
NORMALLY CLOSED (NC) BELOW 375°F - P/N 3103-0061
NORMALLY CLOSED (NC) BELOW 550°F - P/N 3103-0005
- 3) LOW TEMP ALARM OPTIONS (TS2 & TS4):
NORMALLY CLOSED (NC) BELOW 225°F (YELLOW LEADS) - P/N 3103-0013
NORMALLY OPEN (NO) BELOW 225°F (BLUE LEADS) - P/N 3103-0012

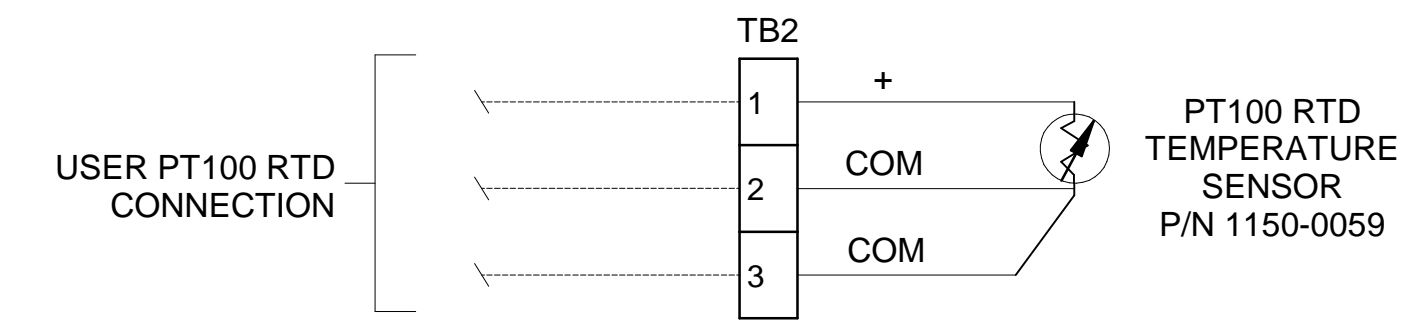
4) REMOTE CHAMBER HEATER CONTROL OPTION (TB1-1) WILL REQUIRE LABEL P/N 5001-0217 TO BE ATTACHED TO BACK PLATE PARALLEL TO TB1; AND THAT TEMPERATURE BE REGULATED WITH A TEMPERATURE CONTROLLING DEVICE. VERIFY THAT THE VOLTAGE BEING SUPPLIED MATCHES THE VOLTAGE RATING ON THE SERIAL TAG.

5) FOR VOLTAGE CHANGE IN THE FIELD FROM 115 VAC TO 230 VAC, REMOVE JUMPERS ON TB1 & TB3 AT TERMINAL LOCATIONS 2-3 & 4-5. INSERT JUMPER AT TERMINAL LOCATION 3-4.

FIELD TO WIRE

OPTIONAL

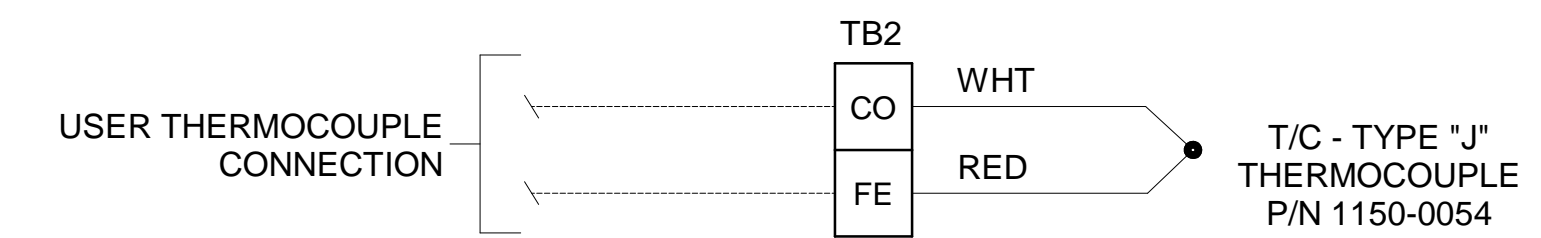
PT100 RTD OPTION FOR REMOTE FILTER HEATER TEMP MONITORING / CONTROL



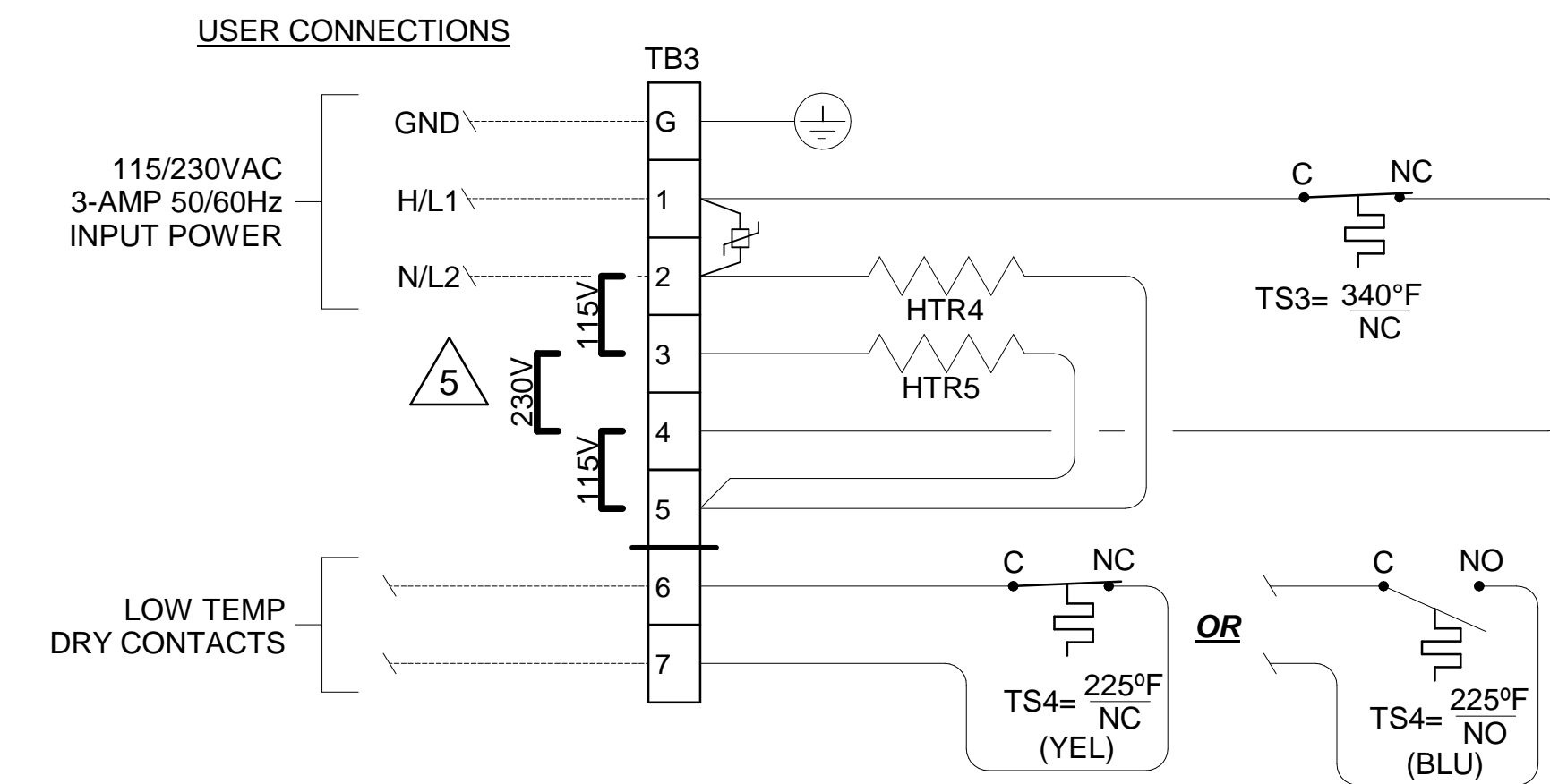
THERMOCOUPLE OPTION FOR REMOTE FILTER HEATER TEMP MONITORING / CONTROL TERMINAL BLOCK P/N +CH = 3304-0167 -AL = 3304-0168



THERMOCOUPLE OPTION FOR REMOTE FILTER HEATER TEMP MONITORING / CONTROL TERMINAL BLOCK P/N CO = 3304-0171 FE = 3304-0172



OPTIONAL BALL VALVE (BV1) THERMAL SWITCH TEMP CONTROL



Web Doc

| | | | | | | |
|------------|------------|-------------|----------|----------------------------------|-----|------|
| | | L.2 | 12/03/20 | REMOVE TS 375°F AND 550°F ON BV1 | NCU | GE |
| REV | DATE | DESCRIPTION | | | DWN | APVD |
| REVISIONS | | | | | | |
| DATE | SCALE | SIZE | SHEET | | | |
| 06/23/2006 | NTS | D | 7 OF 7 | | | |
| PART NO. | FOR | DRAWN BY | ECO# | DRAWING NO. | | |
| 270SF | INSTRUMENT | R. Wells | - | P1078 | | |
| | | APVD BY | G. Evans | | | |