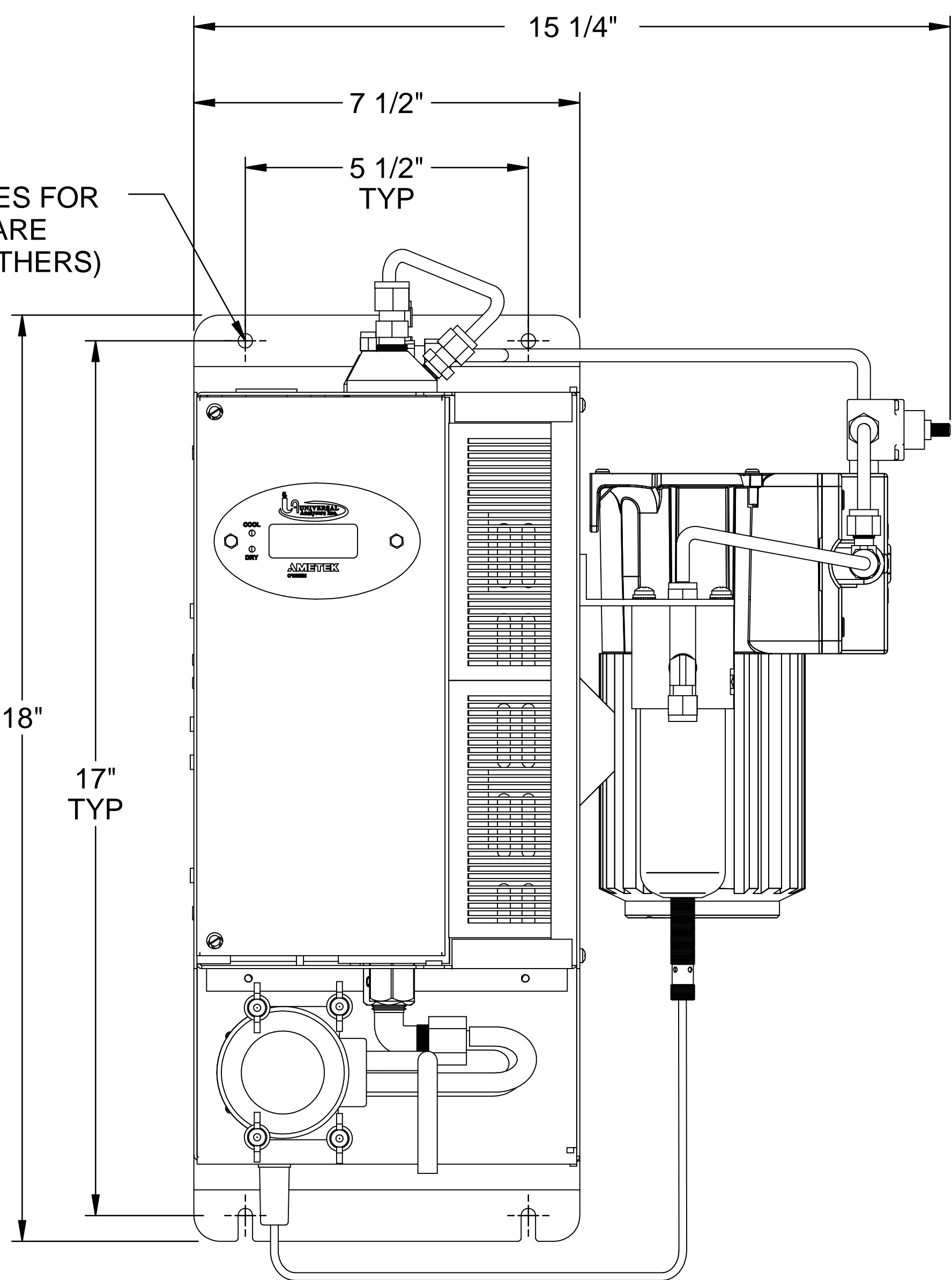
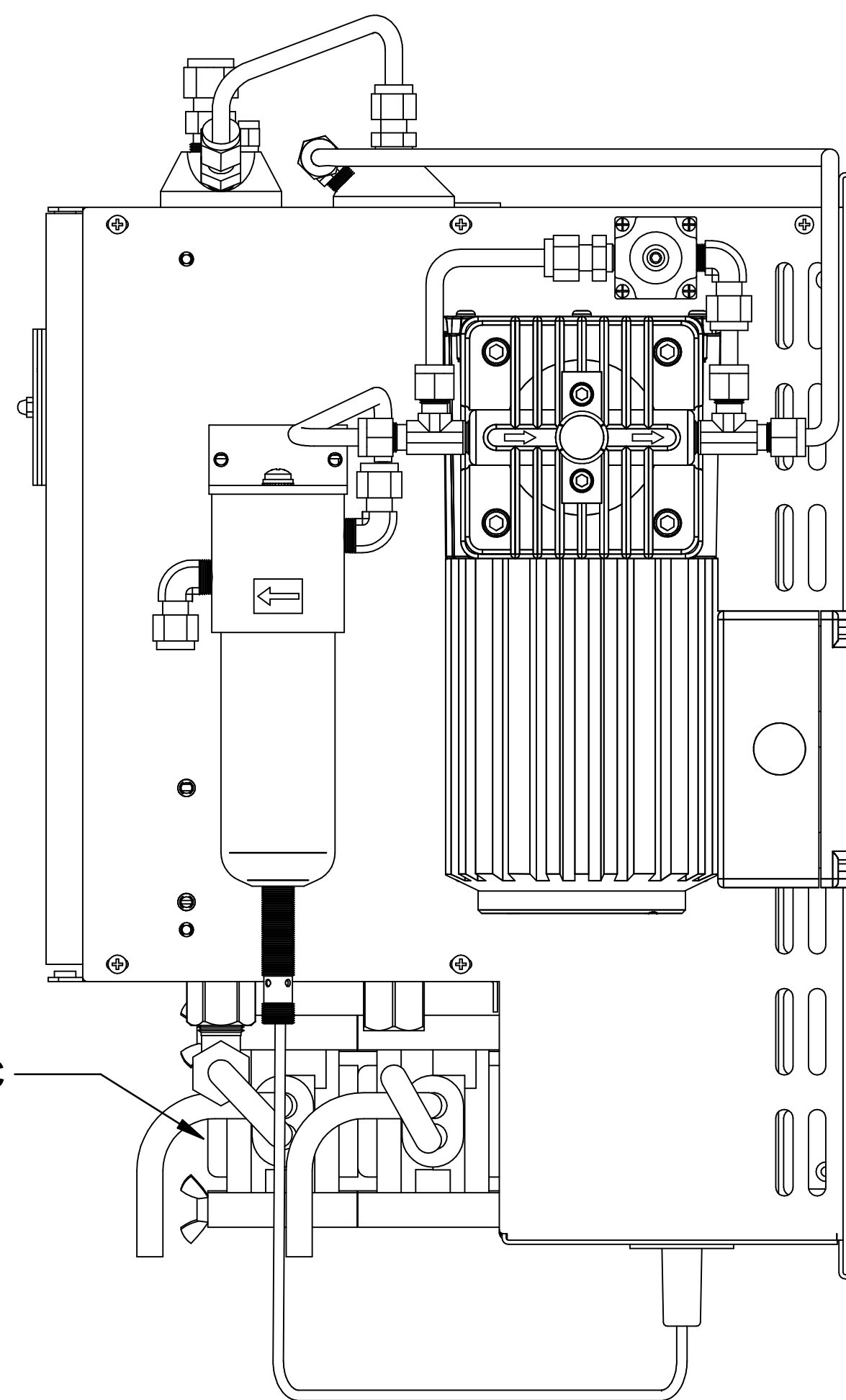


TOP VIEW

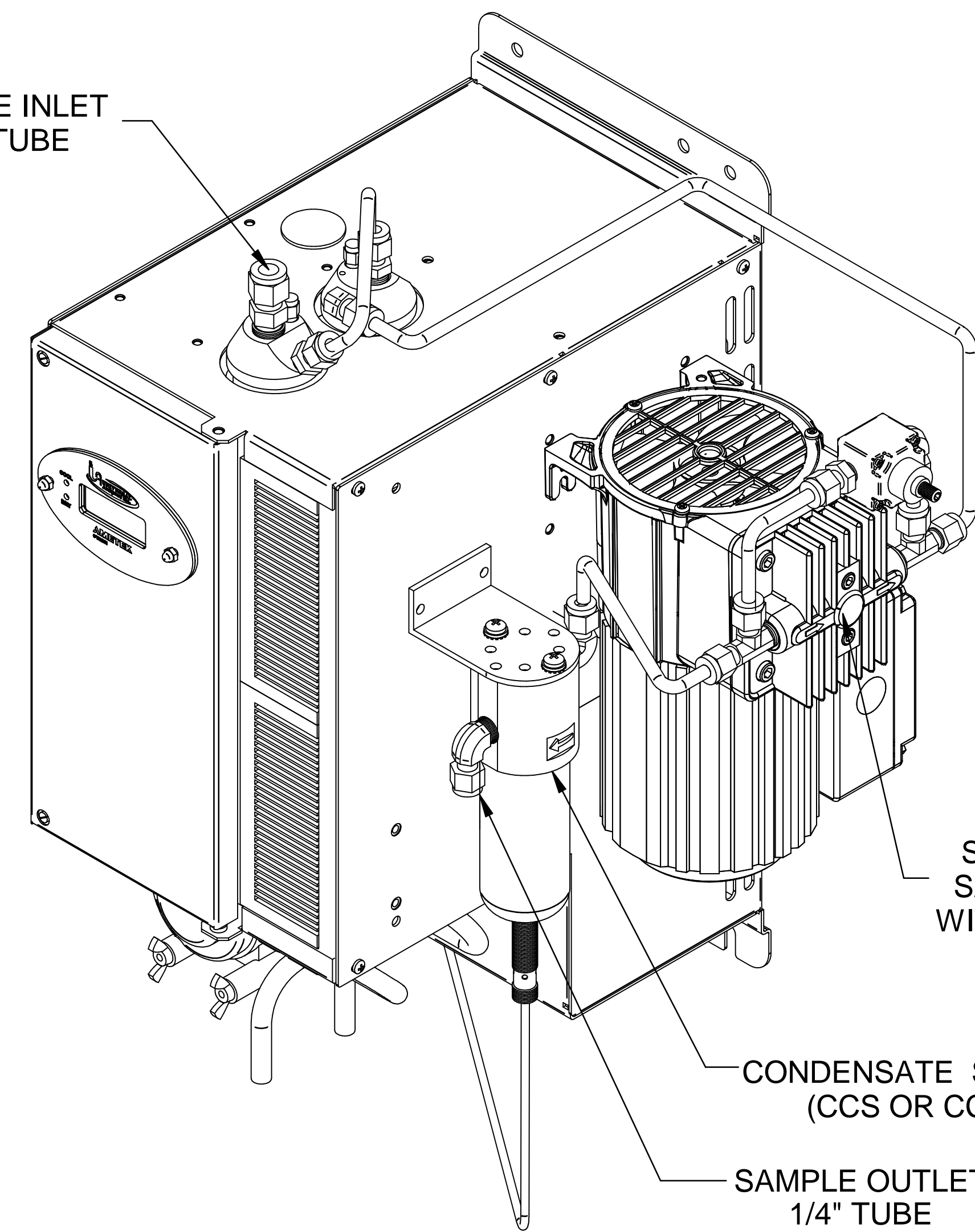


FRONT VIEW



RIGHT SIDE VIEW

SAMPLE INLET
3/8" TUBE



ISOMETRIC VIEW



SINGLE HEAD
SAMPLE PUMP
WITH PRESSURE
CONTROL

CONDENSATE SENSOR
(CCS OR CCSF)

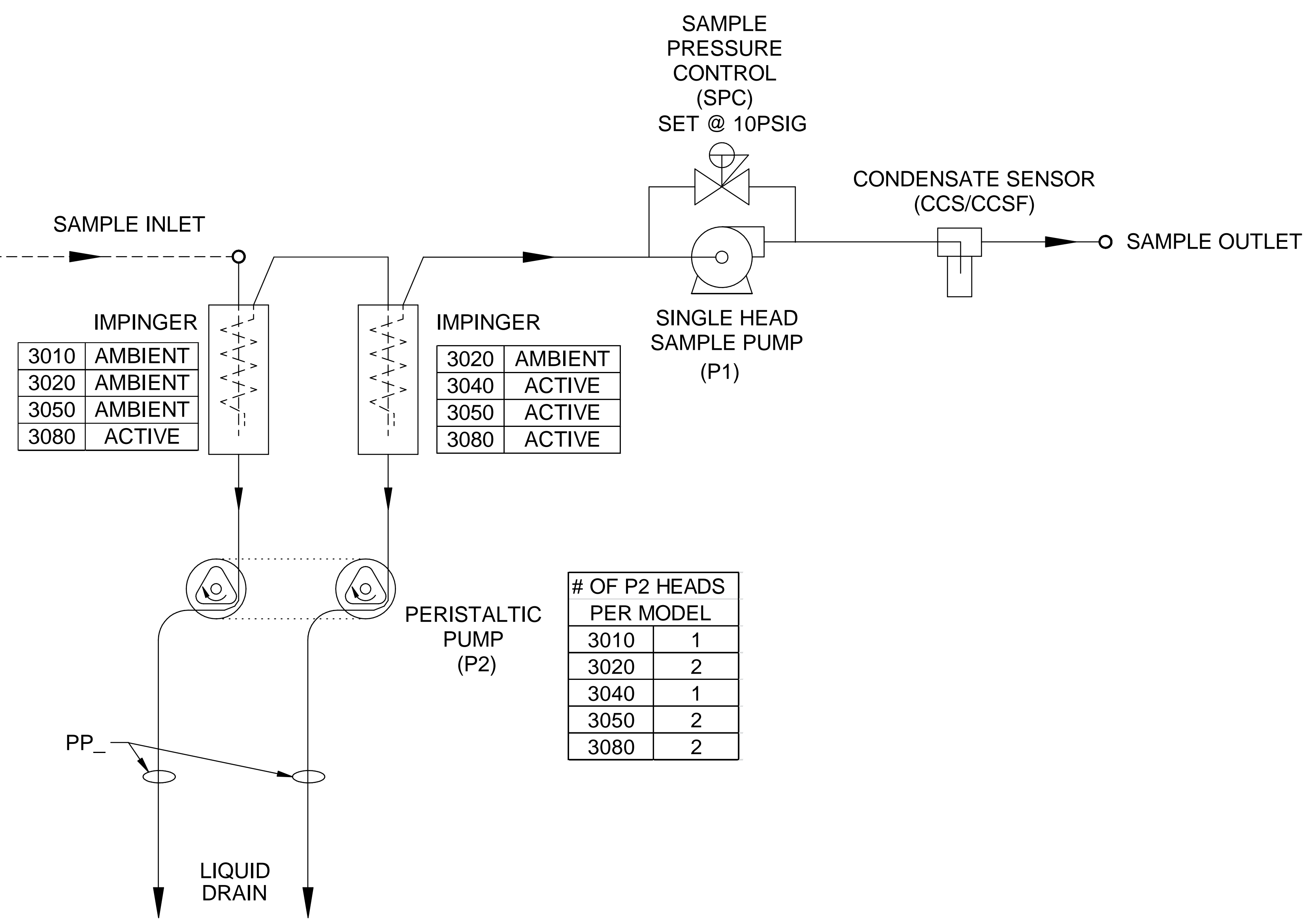
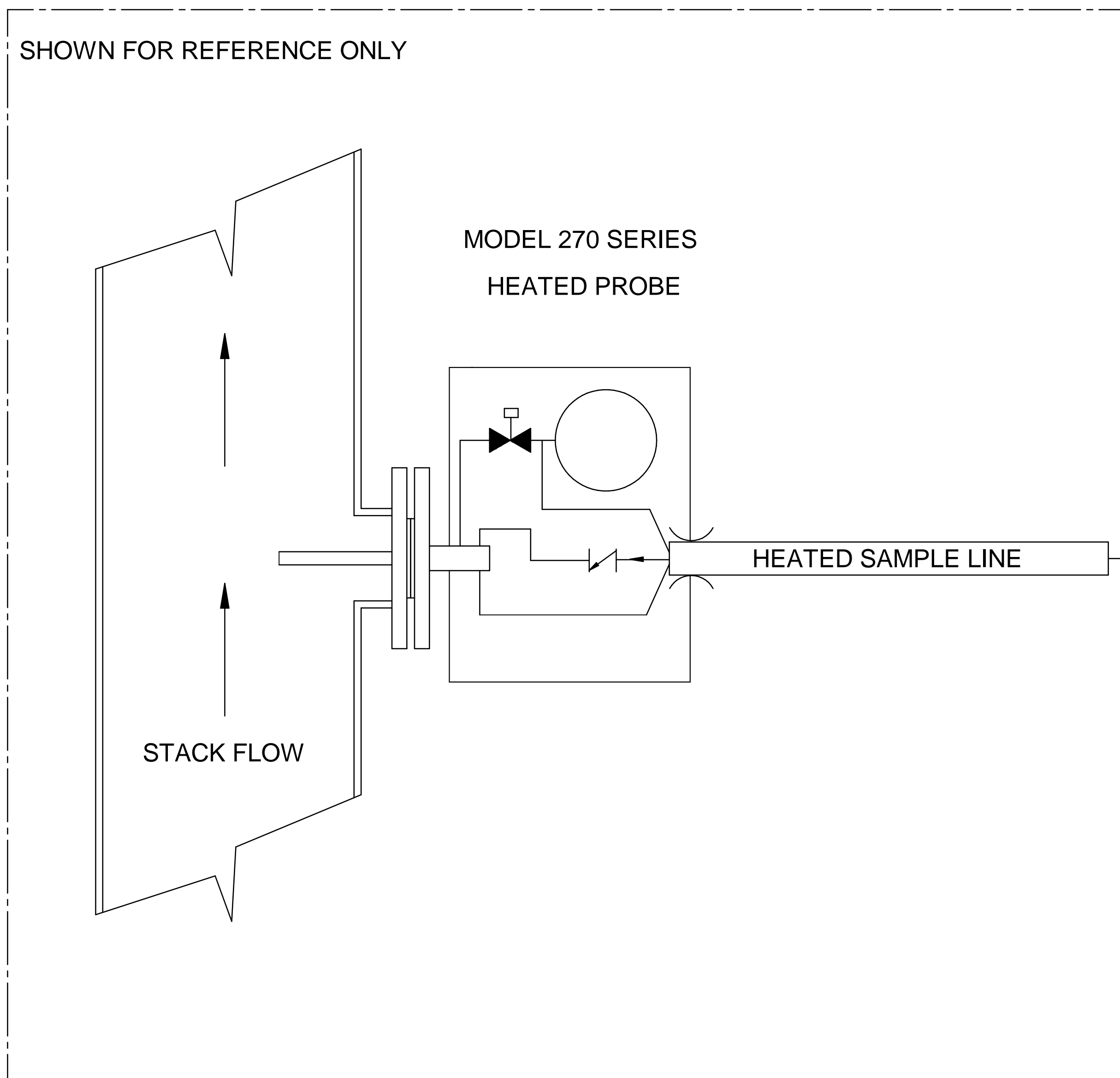
SAMPLE OUTLET
1/4" TUBE

PERISTALTIC
DRAIN PUMP

Web Doc

5200 Convoir Drive Carson City, NV 89706 PH(775)883-2500 FAX (775)883-6388		C.1 01/03/23	SPARE PART LIST ADDED		KP	GE
						
REV	DATE	DESCRIPTION		DWN	APVD	
		REVISIONS				
PART NO.		DATE	SCALE	SIZE	SHEET	
NOT ISSUED		04/04/2006	NTS	D	1 OF 8	
FOR		DRAWN BY		ECO#	DRAWING NO.	
3000 SERIES		KP		-	P1052	
		APVD BY				
		G.EVANS				

SHOWN FOR REFERENCE ONLY



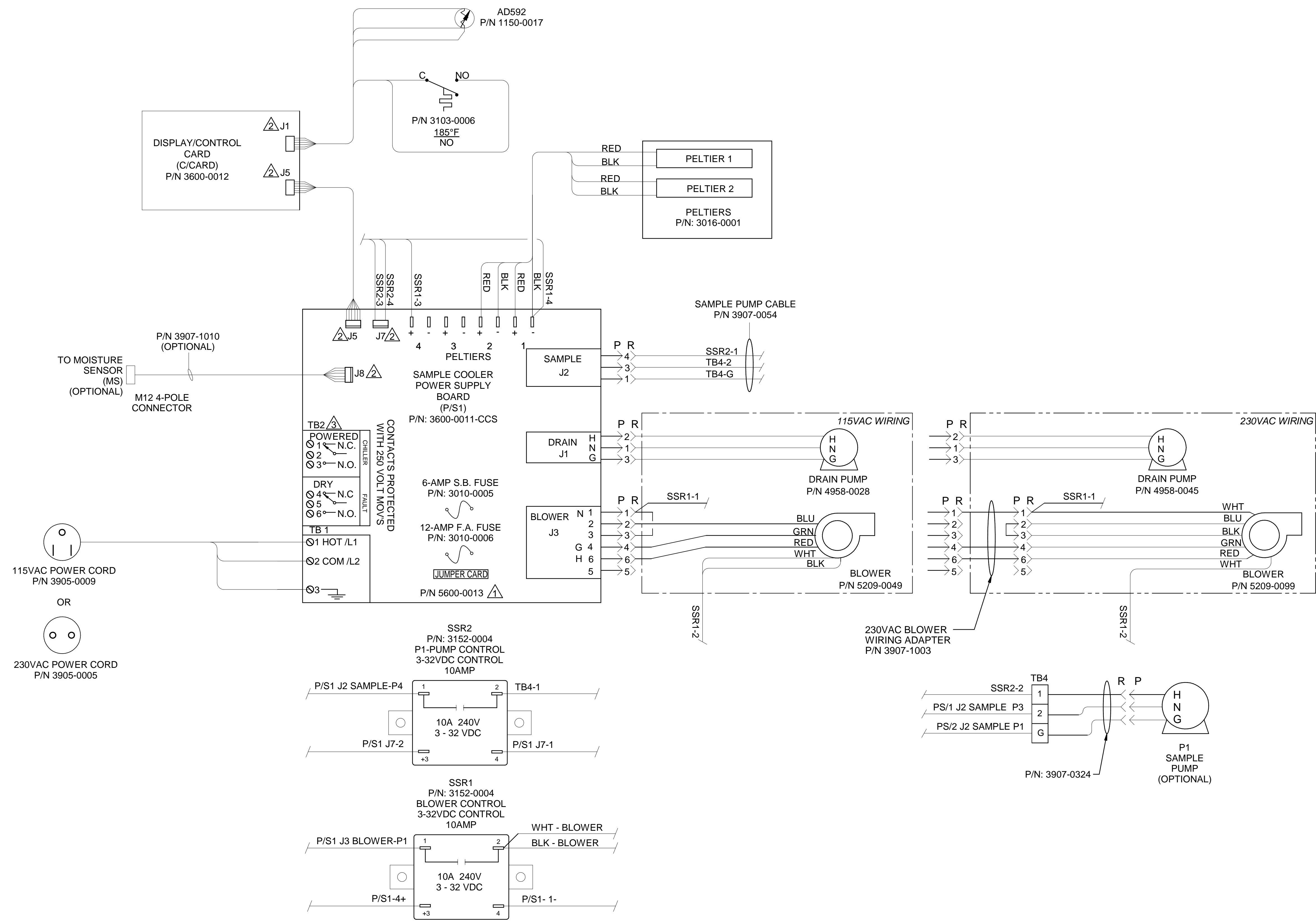
ITEM	QTY	DESCRIPTION	UAI PART NO.
CCS	1	CONDENSATE CARRY OVER SENSOR	CCS
CCSF	1	CONDENSATE CARRY OVER SENSOR W/FILTER	CCSF-0007
SPC	1	SAMPLE PRESSURE CONTROLLER	4955-0246
P1	1	SAMPLE PUMP - 115 VAC	4958-0025
P1	1	SAMPLE PUMP - 115 VAC HAZ LOC	4958-1025
P1	1	SAMPLE PUMP - 230 VAC	4958-0015
P1	1	SAMPLE PUMP - 230 VAC HAZ LOC	4958-0186
P2-HEAD	1/2	PERISTALTIC DRAIN PUMP - HEAD	4958-0006
P2-MOTOR	1	PUMP - PERESTALTIC DRAIN 115 VAC	4958-0028
P2-MOTOR	1	PUMP - PERESTALTIC DRAIN 230 VAC	4958-0045
PERESTALTIC TUBING OPTIONS (P2-TUBE)			
PP	-	STANDARD PHAR-MED	9216-0002
PP1	-	PHAR-MED HIGH PRESSURE	9216-1002
PP2	-	VITON	9216-0018
PP3	-	TYGON FUEL GRADE	9216-0032
PP4	-	NORPRENE	9216-1004

LEGEND



Web Doc

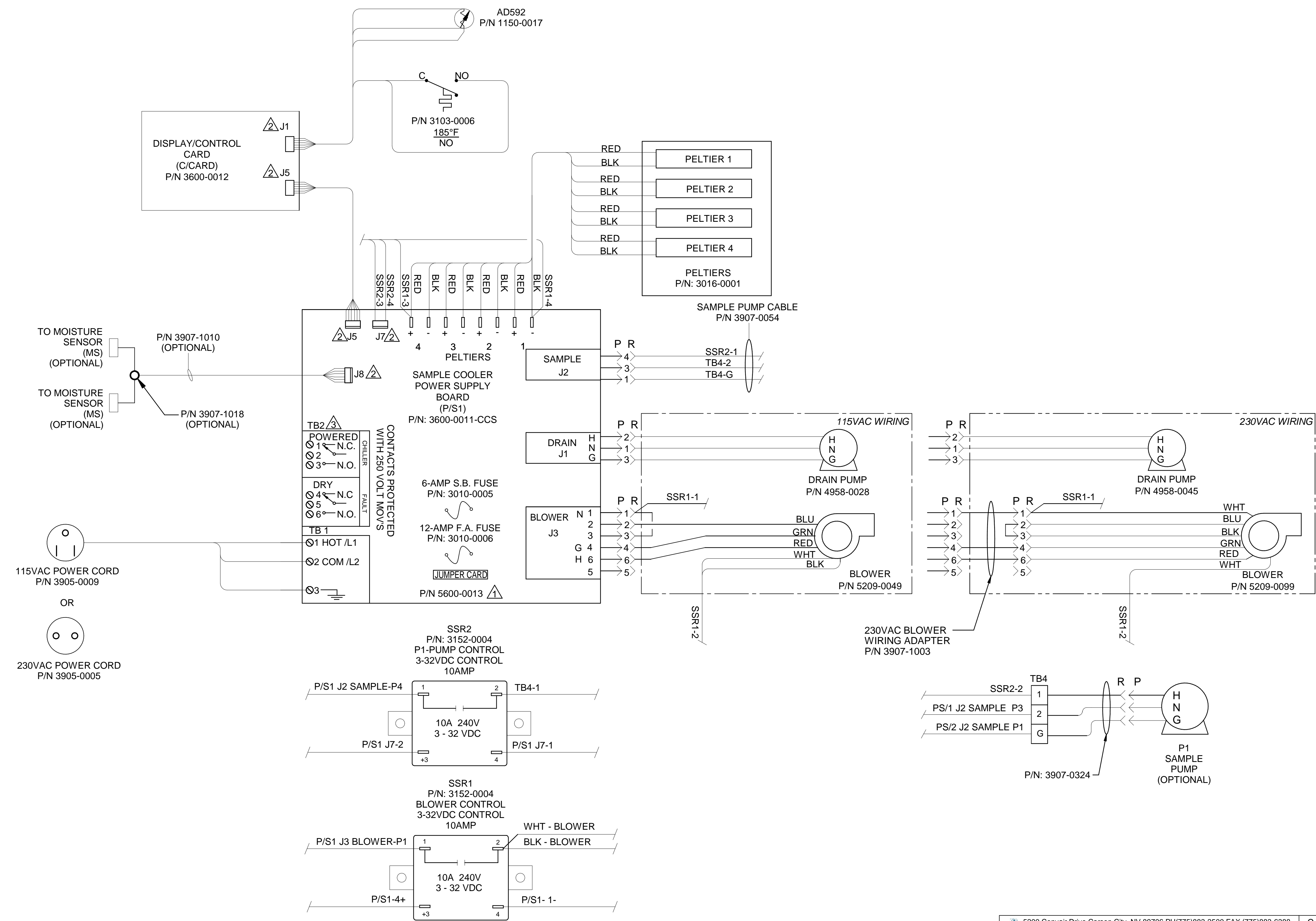
5200 Convair Drive Carson City, NV 89706 PH(775)883-2500 FAX (775)883-6388		C.1	01/03/23	SPARE PART LIST ADDED		KP	GE
		REV	DATE	DESCRIPTION		DWN	APVD
P&ID				REVISIONS			
PART NO.		FOR		DATE	SCALE	SIZE	SHEET
NOT ISSUED		3000 SERIES		04/04/2006	NTS	D	2 OF 8
DRAWN BY		APVD BY		ECO#		DRAWING NO.	
KP		G.EVANS		-		P1052	



- NOTES:
- 1 POSITION JUMPER CARD AS APPROPRIATE FOR UNIT VOLTAGE.
 - 2 ADD A DROP OF LOCTITE 495 (P/N 8008-1003) OR EQUIVALENT CYANOACRYLATE GLUE TO CONNECTORS J5, J7, AND J8 ON P/S1 AND TO CONNECTORS J1 AND J5 ON C/CARD AFTER CONNECTING CABLE.
 - 3 CONTACTS SHOWN IN DEENERGIZED (HOT/ WET) STATE.

Web Doc

5200 Convoir Drive Carson City, NV 89706 PH(775)883-2500 FAX (775)883-6388		C.1	01/03/23	SPARE PART LIST ADDED	KP	GE
		REV	DATE	DESCRIPTION	DWN	APVD
3040/3050 INTERNAL WIRING DIAGRAM		DATE		SCALE	SIZE	SHEET
PART NO.		DATE		NTS	D	3 OF 8
FOR		DRAWN BY		ECO#	DRAWING NO.	
3000 SERIES		KP		-	P1052	
NOT ISSUED		APVD BY				
		G.EVANS				



NOTES:

- 1 POSITION JUMPER CARD AS APPROPRIATE FOR UNIT VOLTAGE.
- 2 ADD A DROP OF LOCTITE 495 (P/N 8008-1003) OR EQUIVALENT CYANOACRYLATE GLUE TO CONNECTORS J5, J7, AND J8 ON P/S1 AND TO CONNECTORS J1 AND J5 ON C/CARD AFTER CONNECTING CABLE.
- 3 CONTACTS SHOWN IN DEENERGIZED (HOT/ WET) STATE.

Web Doc

5200 Convoir Drive Carson City, NV 89706 PH(775)883-2500 FAX (775)883-6388		C.1	01/03/23	SPARE PART LIST ADDED	KP	GE			
		REV		DATE	DESCRIPTION	DWN	APVD		
		REVISIONS				DATE	SCALE	SIZE	SHEET
3080 INTERNAL WIRING DIAGRAM		04/04/2006		NTS	D	4 OF 8			
PART NO.	FOR	DRAWN BY	SIZE	ECO#	DRAWING NO.				
NOT ISSUED	3000 SERIES	KP		-	P1052				
		APVD BY	G.EVANS						

SPARE PARTS RECOMMENDATIONS FOR 3000 SERIES COOLER

Level A, Consumable Parts (Based on selected options):		
PART NUMBER	ITEM	DESCRIPTION
9216-0002	P2-TUBE (PP)	Standard Phar-med Tube For Peristaltic Pump
9216-1002	P2-TUBE (PP1)	Phar-med High Pressure Tube For Peristaltic Pump
9216-0018	P2-TUBE (PP2)	Viton Tube For Peristaltic Pump
9216-0032	P2-TUBE (PP3)	Tygon Fuel grade Tube For Peristaltic Pump
9216-1004	P2-TUBE (PP4)	Norprene Tube For Peristaltic Pump
3010-0005	6-AMP S.B. FUSE	Fuse 6 Amp 250V Time Delay
3010-0006	12-AMP F.A. FUSE	Fuse 12 Amp 3AB 250V
9515-0018	DIAPHRAGM KIT	Kit Rebuild For Mini Dia-Vac Pump Teflon/EPDM for (4958-0025/26)

Level B, Basic Parts (Non-Welded Metallic Heat Exchanger):		
PART NUMBER	ITEM	DESCRIPTION
4904-0013	VITON O-RING 2-021	O-Ring 2-021 Viton (See sheet 6)
8010-0001	HEAT TRANSFER PASTE	Compound Zinc Heat Transfer Paste 1 Oz Container For Kit



Level B, Basic Parts (Non-Metallic Heat Exchanger):		
PART NUMBER	ITEM	DESCRIPTION
5201-0001	GLASS TUBE	Tube Glass 1" Diameter X 11" for 10" PV Heat Exchanger
4904-0003	VITON O-RING 2-018	O-Ring 018 Viton (See sheet 6)
4904-0004	VITON O-RING 2-120	O-Ring 120 Viton (See sheet 6)
8010-0001	HEAT TRANSFER PASTE	Compound Zinc Heat Transfer Paste 1 Oz Container For Kit

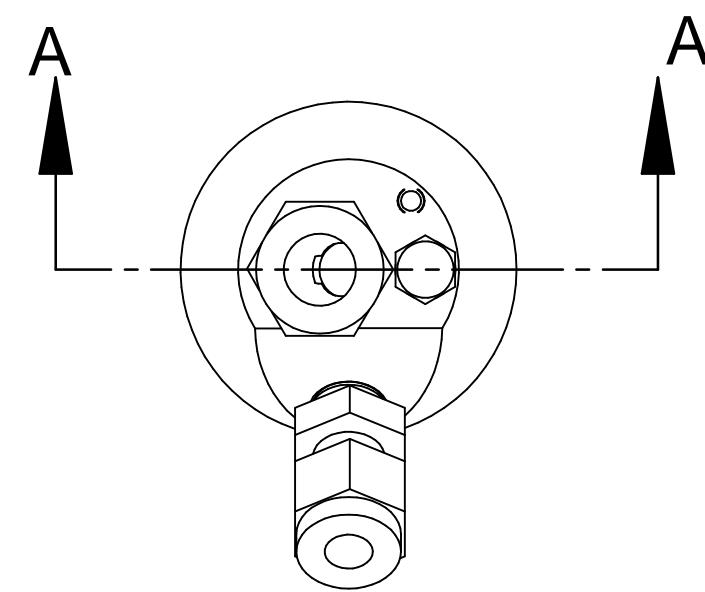
Level C, In Depth (Based on selected options):		
PART NUMBER	ITEM	DESCRIPTION
3016-0002	PELTIERS	Peltier Element 15V 8.5Amp 40mm^2 Lapped w/30" Leads (Pair)
9515-0042	INSULATION KIT 1	Kit Insulation 10" Heat Singleheat Exch 3040/3050
9515-0023	INSULATION KIT 2	Kit Insulation 10" Dual Heat Exch 3080
4958-0028	P2-MOTOR	Motor Only 6RPM 115V Motor
4958-0045	P2-MOTOR	Motor Only 12RPM 230V (10RPM 230V 50Hz) for Peri Pump
5209-0049	BLOWER	Blower Assembly For 3040 3050 3080 Wired 115VAC
5209-0099	BLOWER	Blower Assembly For 3040 3050 3080 Wired 220VAC
3600-0012	DISPLAY/CONTROL CARD	PCB Assembly Display For 3000
3600-0011-CCS	P/S1	PCB Assembly Power Supply 500W for 3000 Series
4958-0006	P2-HEAD	Pump Head Clear #15 Tube
1150-0017	AD592	Transducer Temperature Assy 19" AD592 in Brass Housing
3103-0006	TS1	Switch Thermal Limit 185 Deg F 0.6" OD x 6-32 Thread
3152-0004	SSR1,2	Relay Solid State 240VAC 10A DC
4711-0025	WING NUT	#8-32 Wing nut
4710-0008	WASHER	#8 Washer

Optional Parts/Accessories (Based on selected options) :		
PART NUMBER	ITEM	DESCRIPTION
4980-0007	FILTER ELEMENT	Filter Element Ceramic Alumina 1" x 0.625" x 3" 2 Micron
5101-1004	CCS MOISTURE SENSOR	Sensor Replacement Assembly w/O-Ring for CCS
5205-1001	BOWL ASSEMBLY	Bowl Assembly w/Proximity Sensor CCSF
4904-0006	VITON O-RING 2-230	O-Ring 2-230 Viton
9515-0046	TC KIT TYPE K	Kit T/C New Jersey Option Type K (Inconel sheath)
9515-0047	TC KIT TYPE J	Kit T/C New Jersey Option Type J (Inconel sheath)
CCSF-0007	CCSF	Visible Condensate Sensor 2 micron ceramic filter proximity sensor
4955-0246	SPC	Controller Sample Pressure 3-36 PSI Adjustable-Diaphragm
4958-0025	P1	Pump Sample 1 Head Teflon/Alum 115V
4958-0015	P1	Pump Sample 1 Head Teflon Coat Alum 230V
4958-1025	P1	Pump Sample 1 Head Teflon/Alum 115V, Class 1 Div 2
4958-0186	P1	Pump Sample 1 Head Teflon Coat Alum 230V, Class 1 Div 2
CCS	CCS	Condensate Carry Over Sensor Proximity Capacitive Kynar
4704-1037	SHOULDER SCREW	Shoulder screw for 1 Head pump
4704-0117	SHOULDER SCREW	Shoulder screw for 2 Head pump
4704-0118	SHOULDER SCREW	Shoulder screw for 3 Head pump

Optional Heat exchanger options		
PART NUMBER	ITEM	DESCRIPTION
5200-S010	NON-WELDED METALLIC HEAT EXCHANGER	Heat Exchanger 10" 316SS
5200-S01T	NON-WELDED METALLIC HEAT EXCHANGER	Heat Exchanger 10" 316SS Teflon coated
5200-C010	NON-WELDED METALLIC HEAT EXCHANGER	Heat Exchanger 10" Hastelloy C-276 (316SS Inner / C-276 Outer)
5200-C01C	NON-WELDED METALLIC HEAT EXCHANGER	Heat Exchanger 10" Hastelloy C-276 (Inner and Outer)
5200-S01W	WELDED METALLIC HEAT EXCHANGER	Heat Exchanger 10" 316 SS welded (High Pressure)
5200-SN10	NON-WELDED METALLIC HEAT EXCHANGER	Heat Exchanger 10" 316SS SilicoNert 2000 coated
5200-K010	NON METALLIC HEAT EXCHANGER	Heat Exchanger 10" Kynar/Glass
5200-K01F	NON METALLIC HEAT EXCHANGER	Heat Exchanger 10" Kynar / Kynar (Inner and Outer)

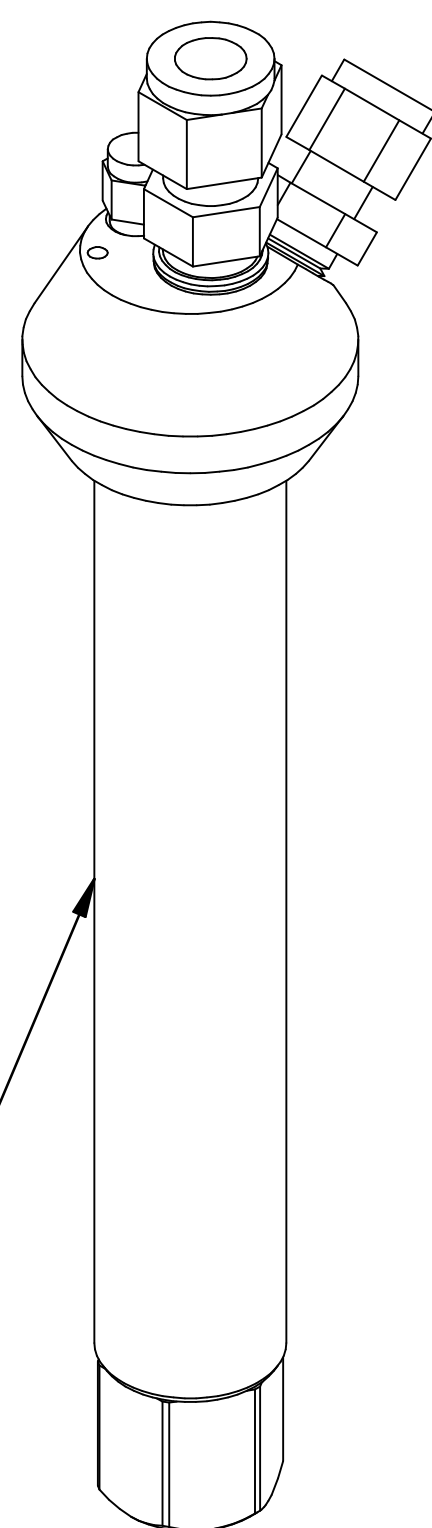
Web Doc

 		5200 Convair Drive Carson City, NV 89706 PH(775)883-2500 FAX (775)883-6388		C.1	01/03/23	SPARE PART LIST ADDED		KP	GE
REV	DATE	DESCRIPTION		DWN	APVD				
3000 SERIES SPARE PARTS LIST						REVISIONS			
PART NO.		FOR		DATE	SCALE	SIZE	SHEET		
NOT ISSUED		3000 SERIES		04/04/2006	NTS	D	5 OF 8		
DRAWN BY		APVD BY		ECO#		DRAWING NO.			
KP		G.EVANS		-		P1052			

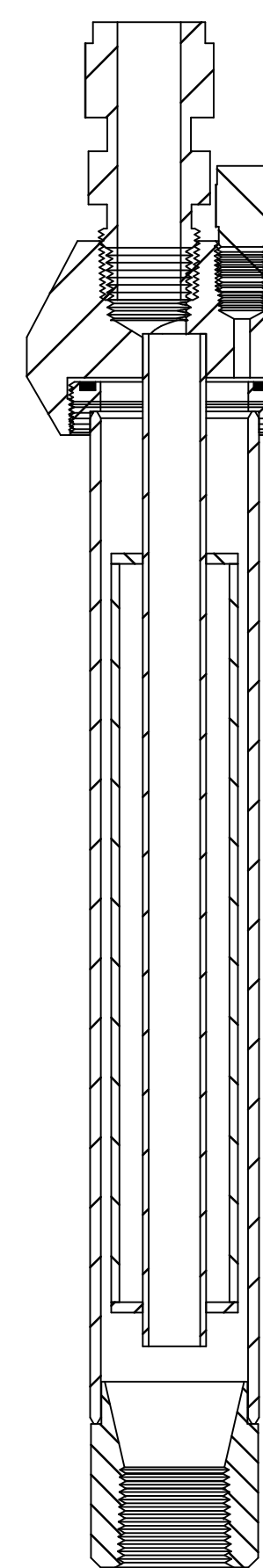


TOP VIEW

APPLY HEAT TRANSFER PASTE
ON EXTERNAL SURFACE OF HEAT
EXCHANGER PRIOR INSTALLATION
P/N8010-0001



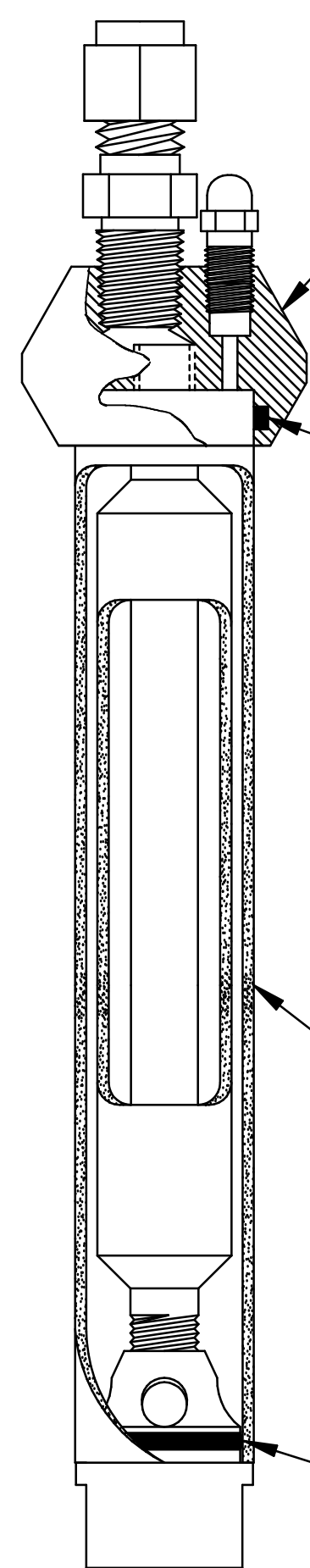
HEAT EXCHANGER



A-A

NON-WELDED METALLIC
HEAT EXCHANGER

VITON O-RING 2-021
P/N 4904-0013



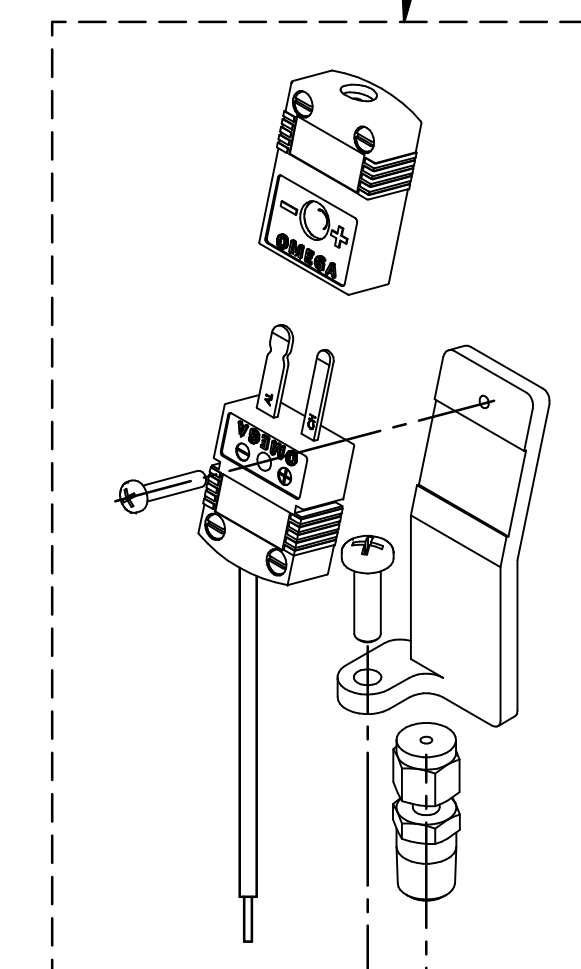
NON-METALLIC
HEAT EXCHANGER

VITON O-RING 2-120
P/N 4904-0004

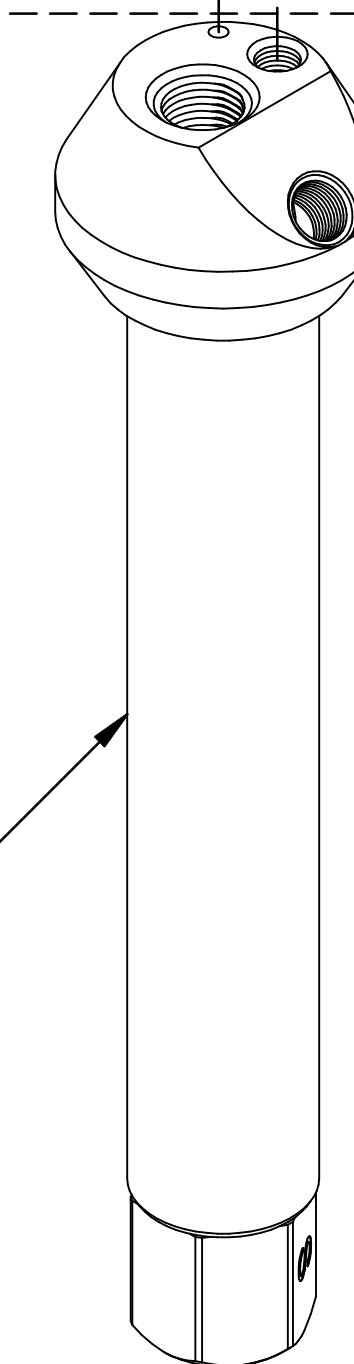
GLASS TUBE
P/N 5201-0001

VITON O-RING 2-018
P/N 4904-0003

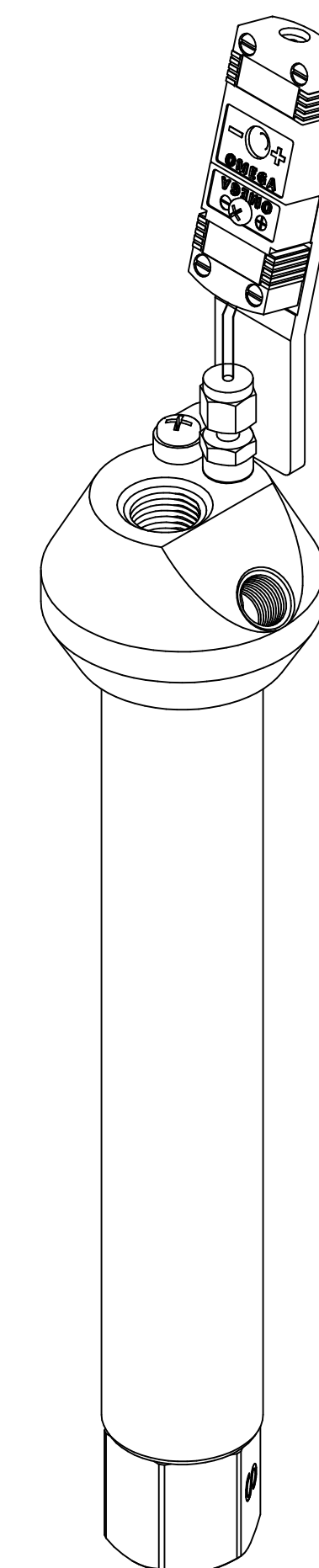
TC KIT
TYPE K: 9515-0046
TYPE J: 9515-0047





HEAT EXCHANGER

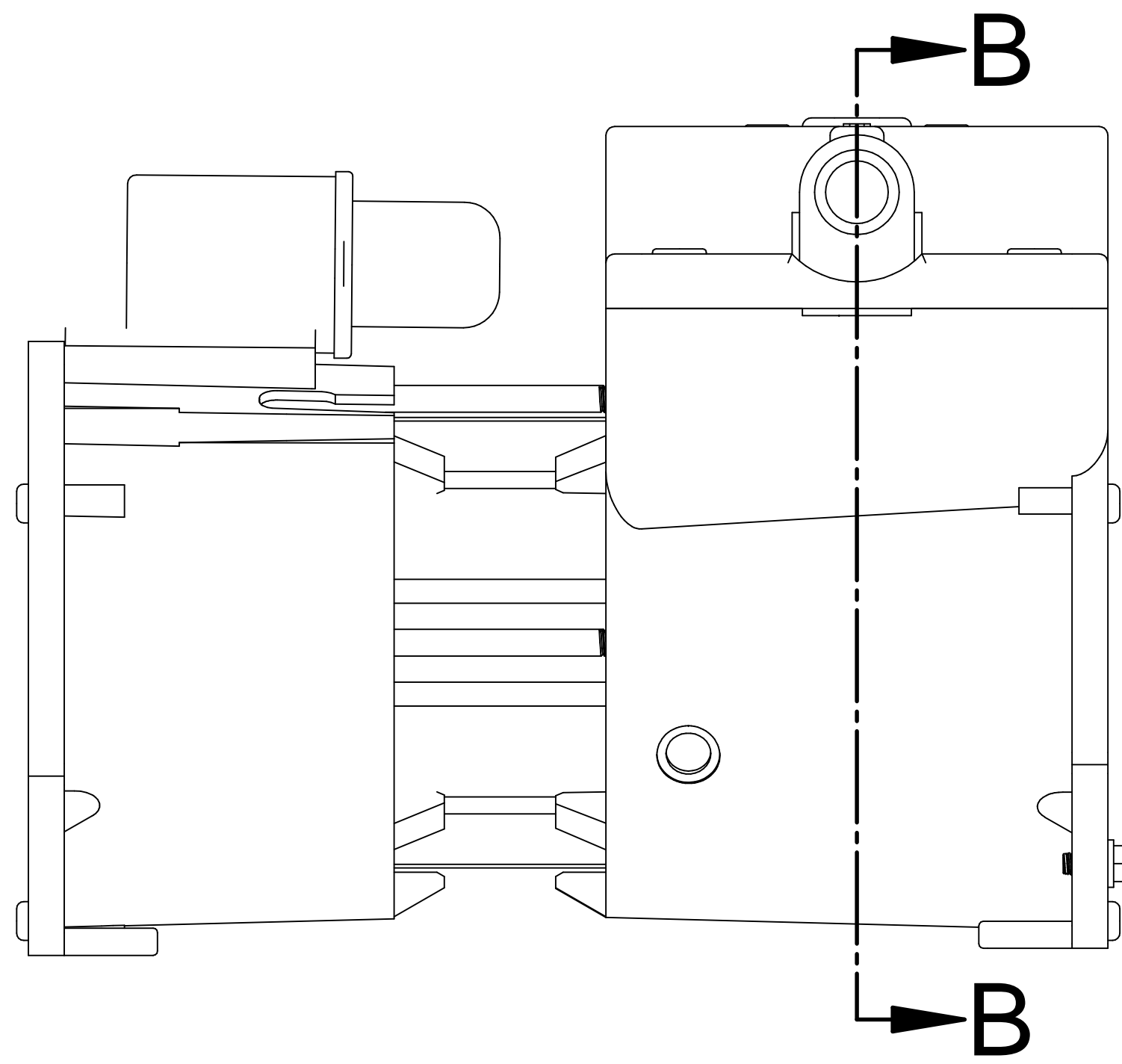


COMPLETE ASSEMBLY

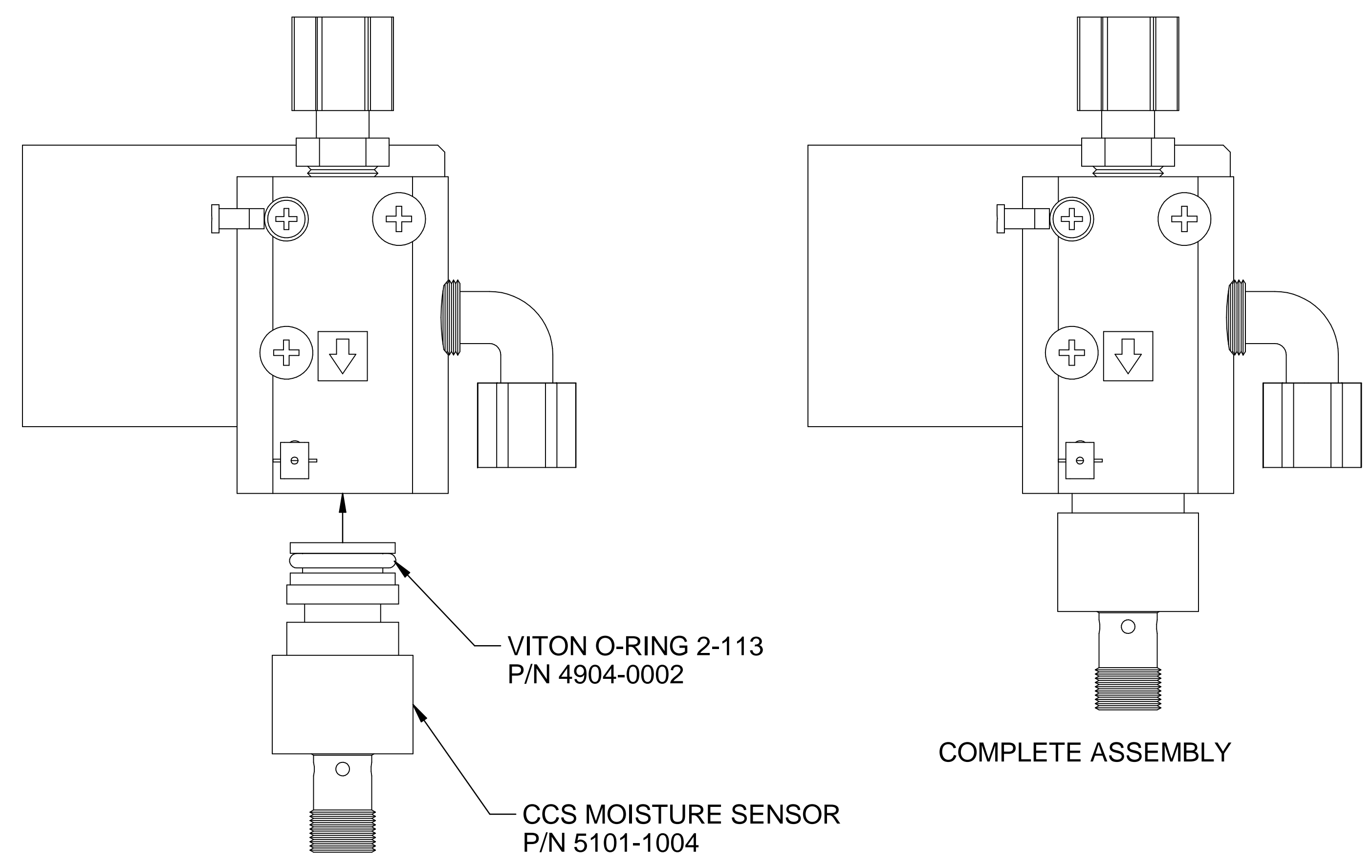
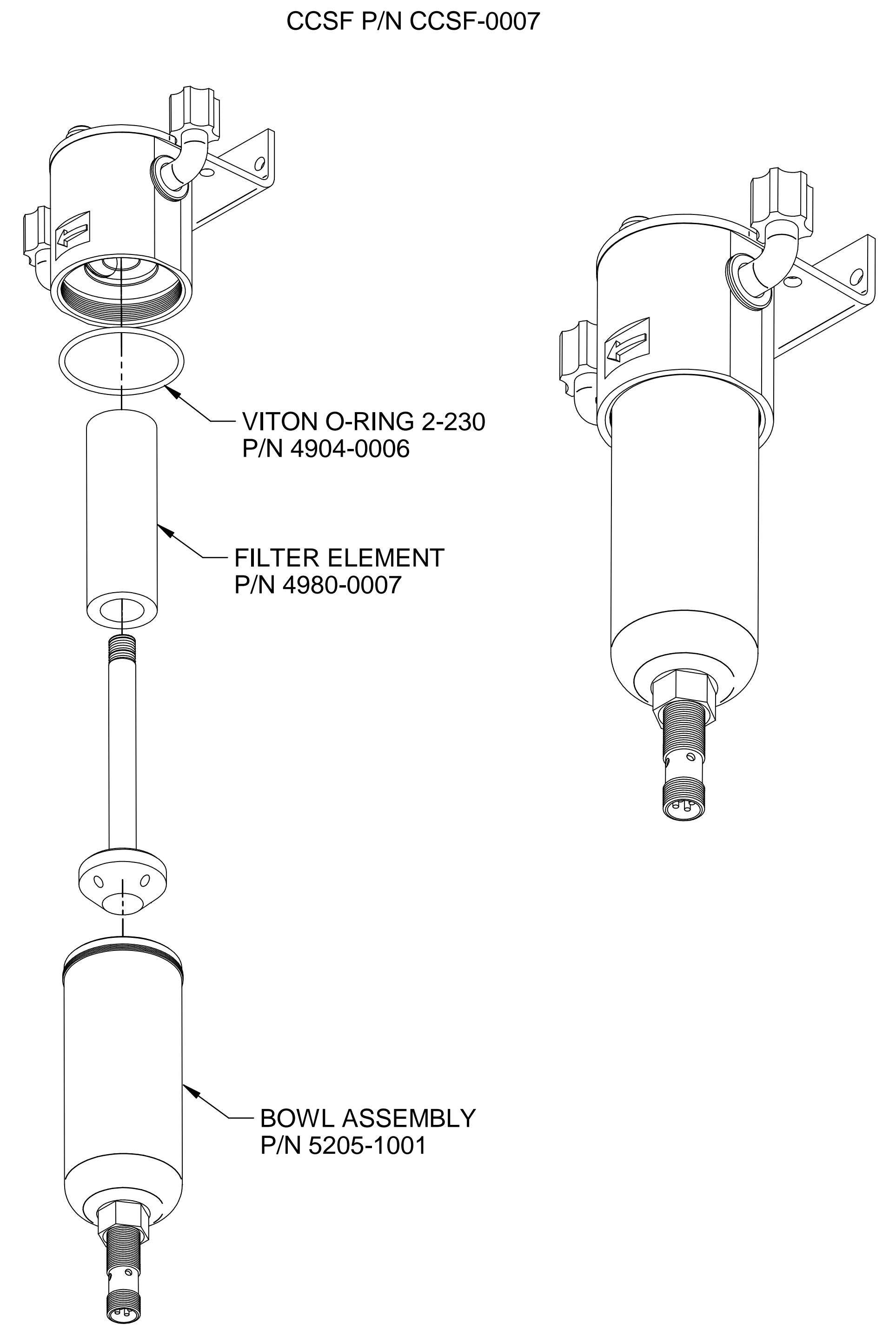
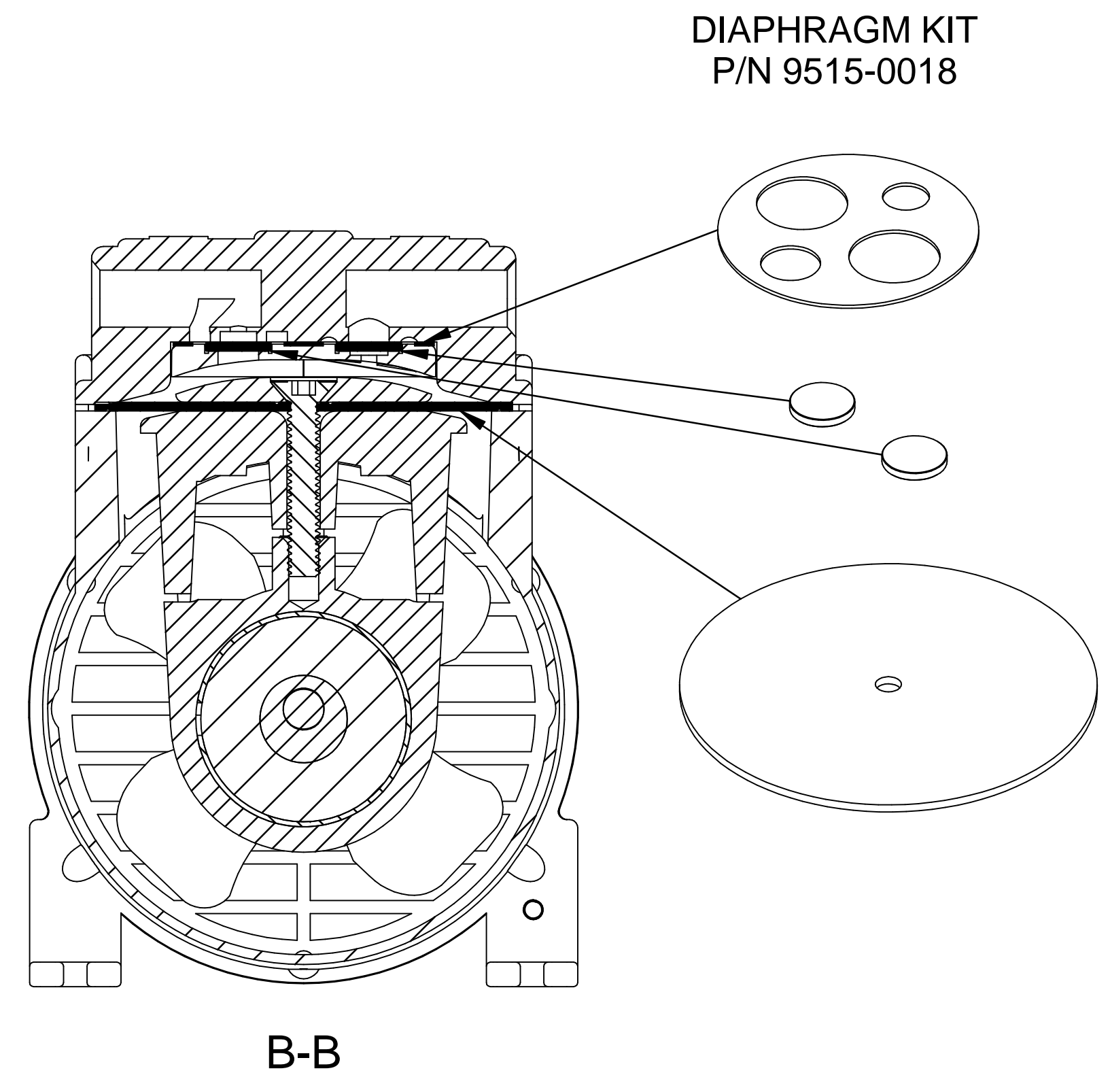


Web Doc

5200 Convair Drive Carson City, NV 89706 PH(775)883-2500 FAX (775)883-6388		C.1	01/03/23	SPARE PART LIST ADDED		KP	GE
 		REV	DATE	DESCRIPTION		DWN	APVD
3000 SERIES SPARE PARTS LIST		REVISIONS					
PART NO.		DATE		SCALE	SIZE	SHEET	
FOR		04/04/2006		NTS	D	6 OF 8	
DRAWN BY		APVD BY		ECO#		DRAWING NO.	
NOT ISSUED		G.EVANS		-		P1052	



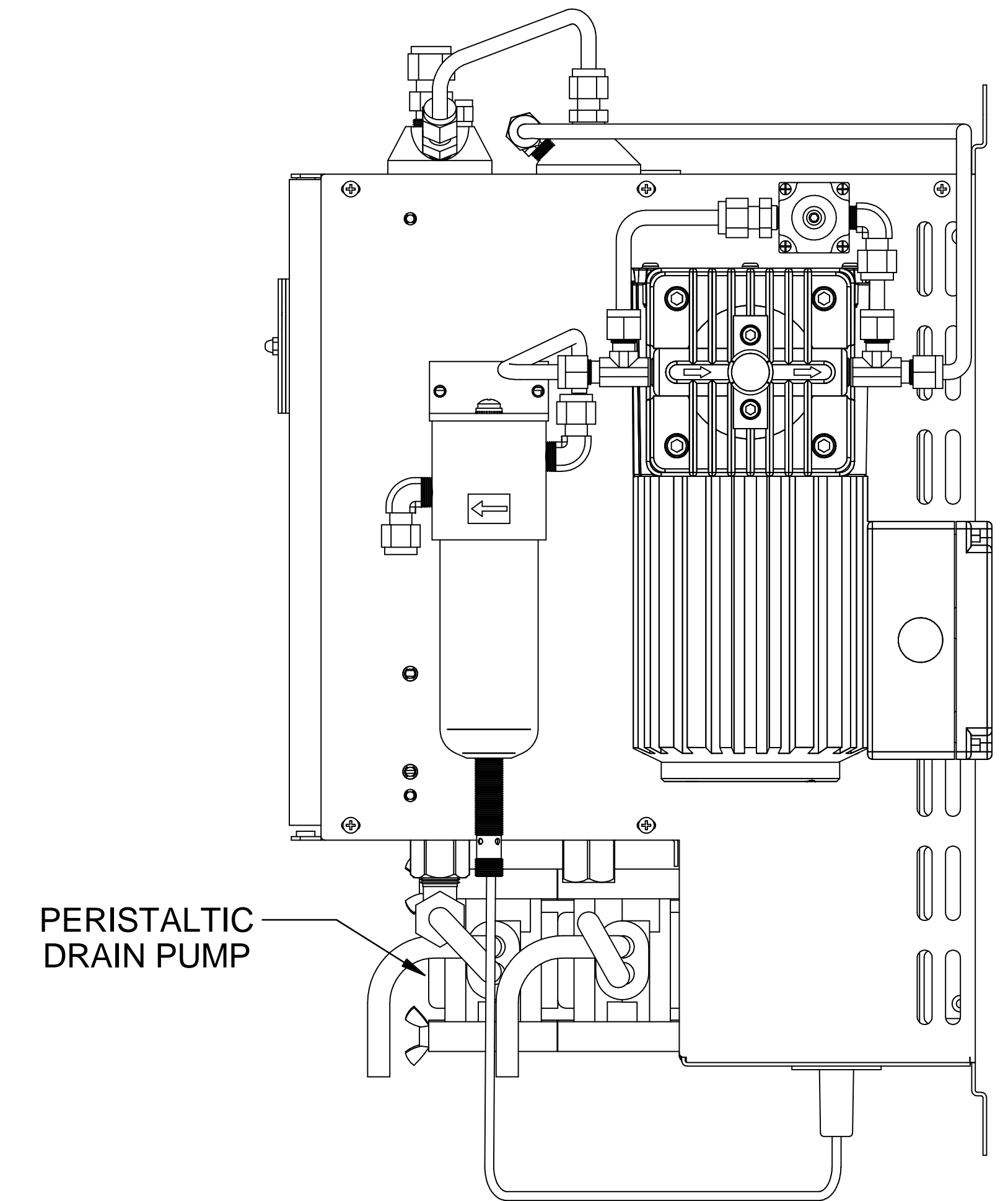
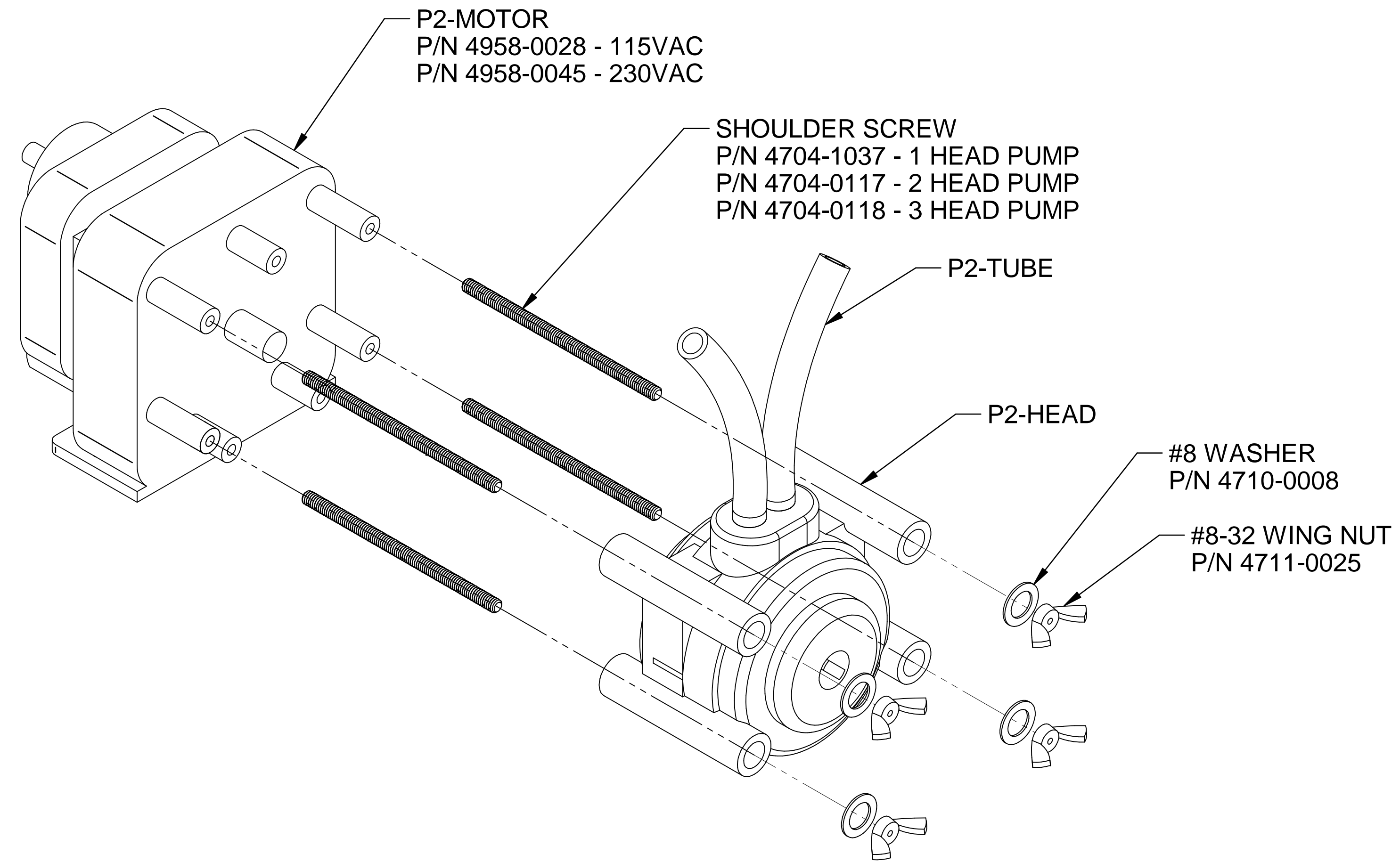
CCS





Web Doc

5200 Convair Drive Carson City, NV 89706 PH(775)883-2500 FAX (775)883-6388		C.1 01/03/23	SPARE PART LIST ADDED		KP	GE
		REV	DATE	DESCRIPTION	DWN	APVD
		REVISIONS				
3000 SERIES SPARE PARTS LIST		DATE 04/04/2006	SCALE NTS	SIZE D	SHEET 7 OF 8	
PART NO.	FOR	DRAWN BY	KP	ECO#	DRAWING NO.	
NOT ISSUED	3000 SERIES	APVD BY	G.EVANS	-	P1052	

PERISTALTIC DRAIN PUMP



Web Doc

5200 Convair Drive Carson City, NV 89706 PH(775)883-2500 FAX (775)883-6388		C.1	01/03/23	SPARE PART LIST ADDED	KP	GE
 		REV	DATE	DESCRIPTION	DWN	APVD
		REVISIONS				
3000 SERIES SPARE PARTS LIST		DATE	SCALE	SIZE	SHEET	
		04/04/2006	NTS	D	8 OF 8	
PART NO.	FOR	DRAWN BY	KP	ECO#	DRAWING NO.	
NOT ISSUED	3000 SERIES	APVD BY	G.EVANS	-	P1052	