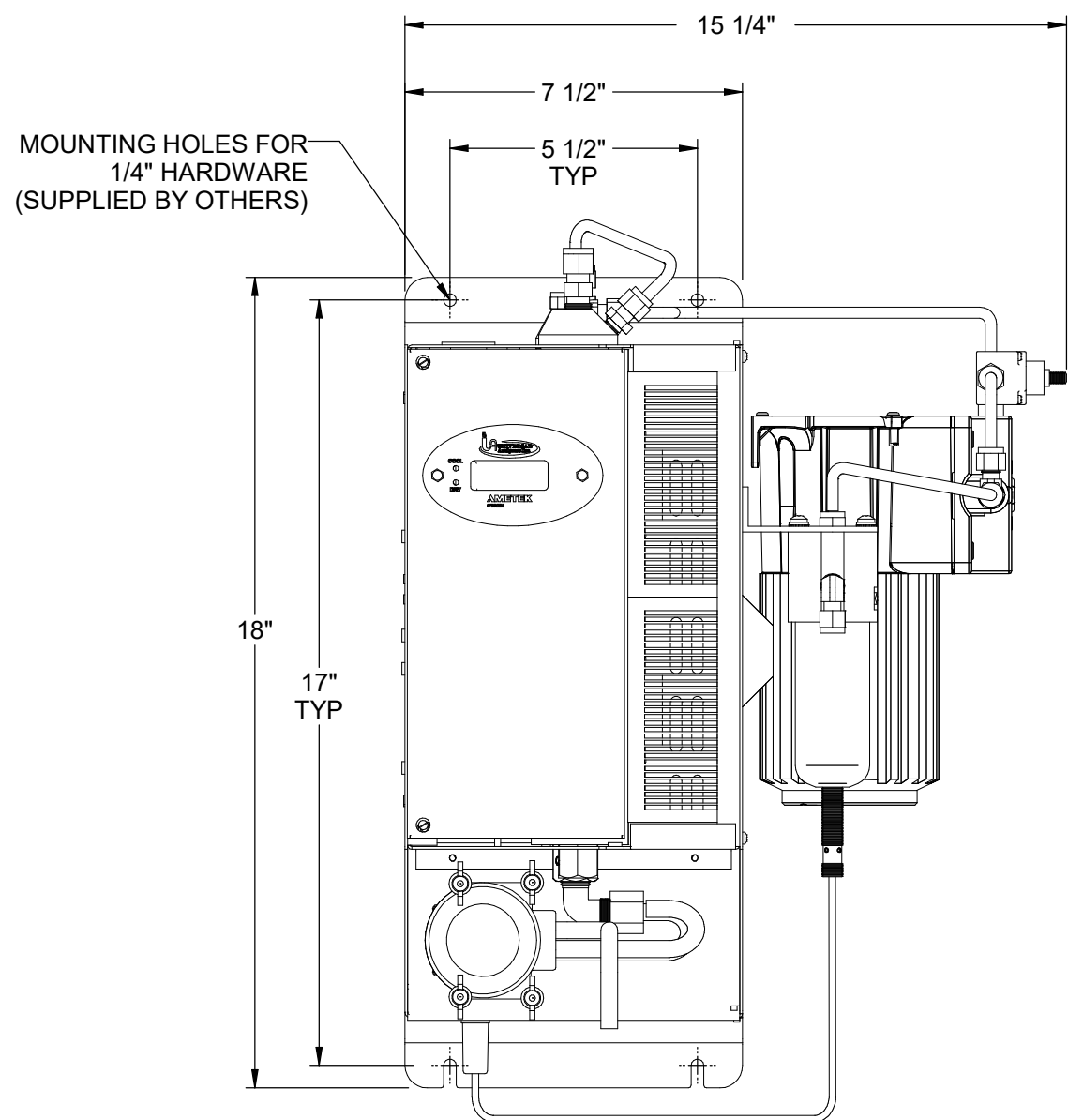
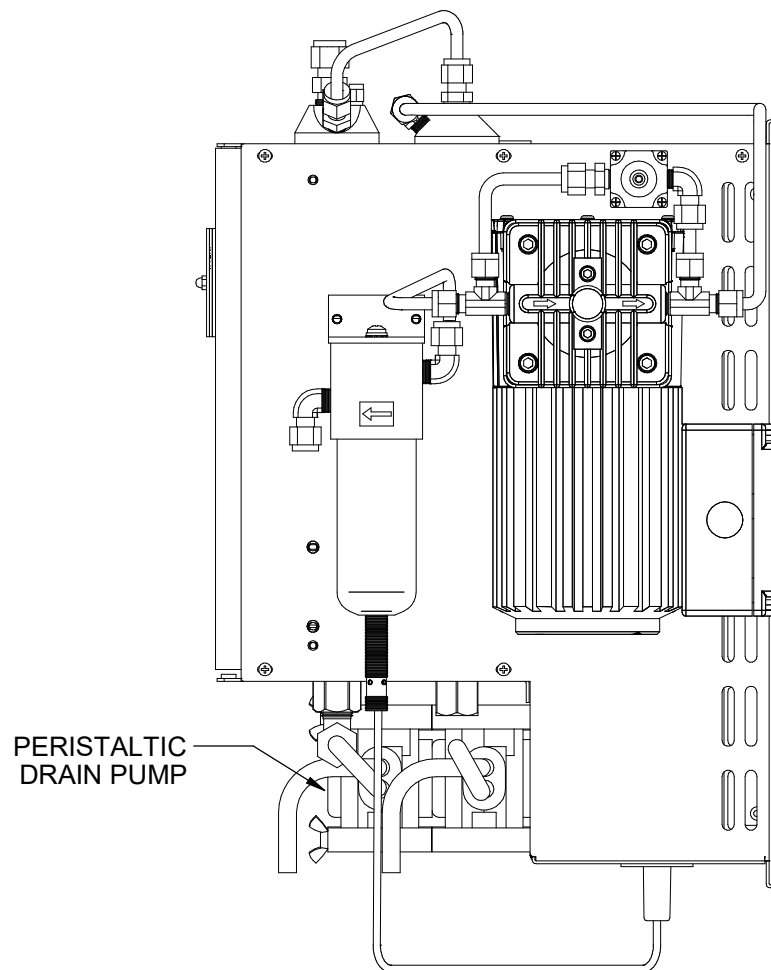


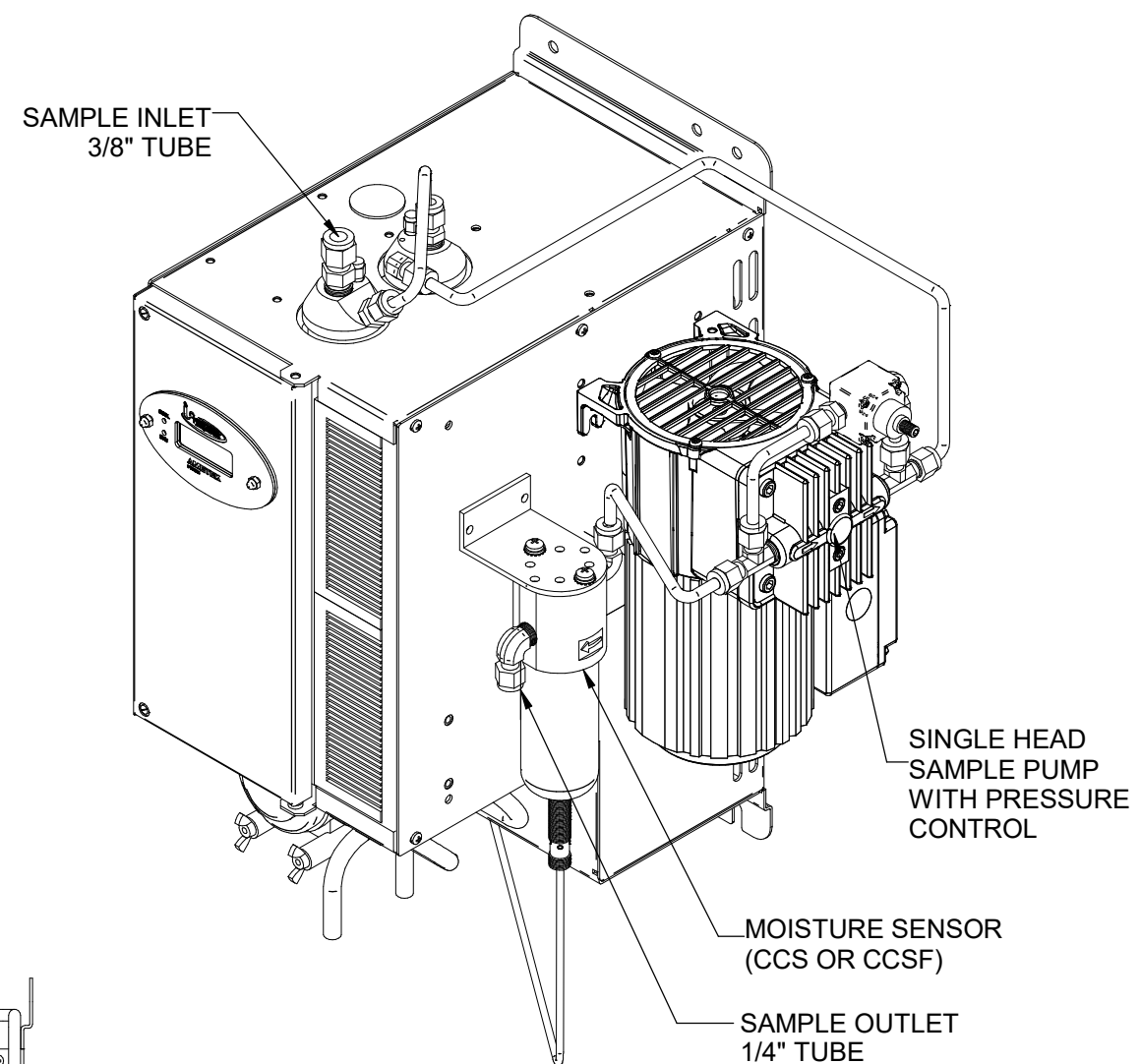
TOP VIEW





FRONT VIEW

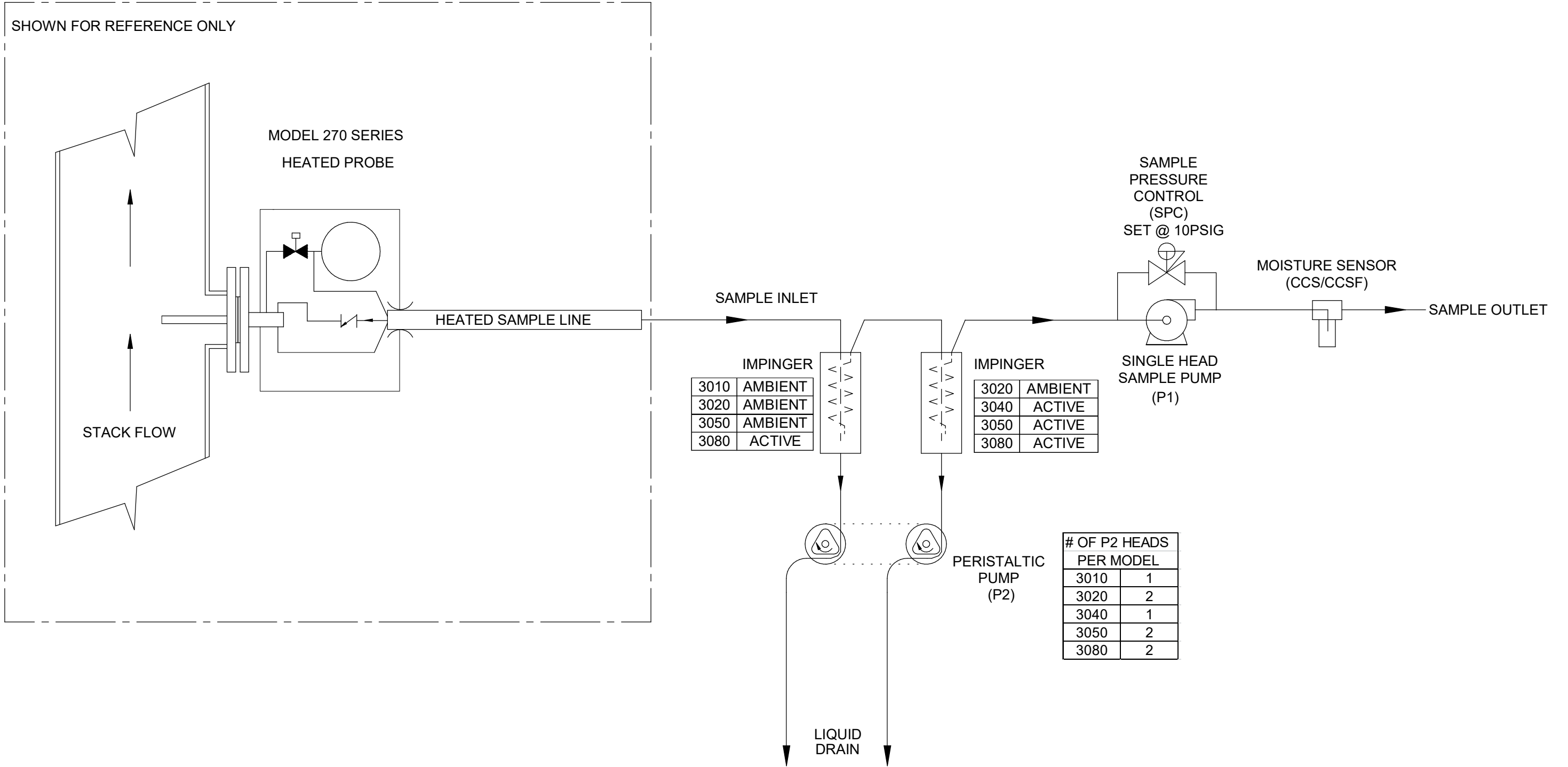


RIGHT SIDE VIEW



ISOMETRIC VIEW

5200 Convoir Drive Carson City, NV 89706 PH(775)883-2500 FAX (775)883-6388		C	11/08/19	UPDATE ELECTRICAL SCHEMATIC	RM	EG
						
REV	DATE	DESCRIPTION			DWN	APVD
				REVISIONS		
PART NO.		FOR		DATE	SCALE	SIZE
NOT ISSUED		3000 SERIES		04/04/2006	NTS	D
		DRAWN BY R. WELLS		ECO#	SHEET	
		APVD BY		3295	1 OF 4	
				ECO#	DRAWING NO.	
				3295	P1052	



IMPINGER

3010	AMBIENT
3020	AMBIENT
3050	AMBIENT
3080	ACTIVE

IMPINGER

3020	AMBIENT
3040	ACTIVE
3050	ACTIVE
3080	ACTIVE

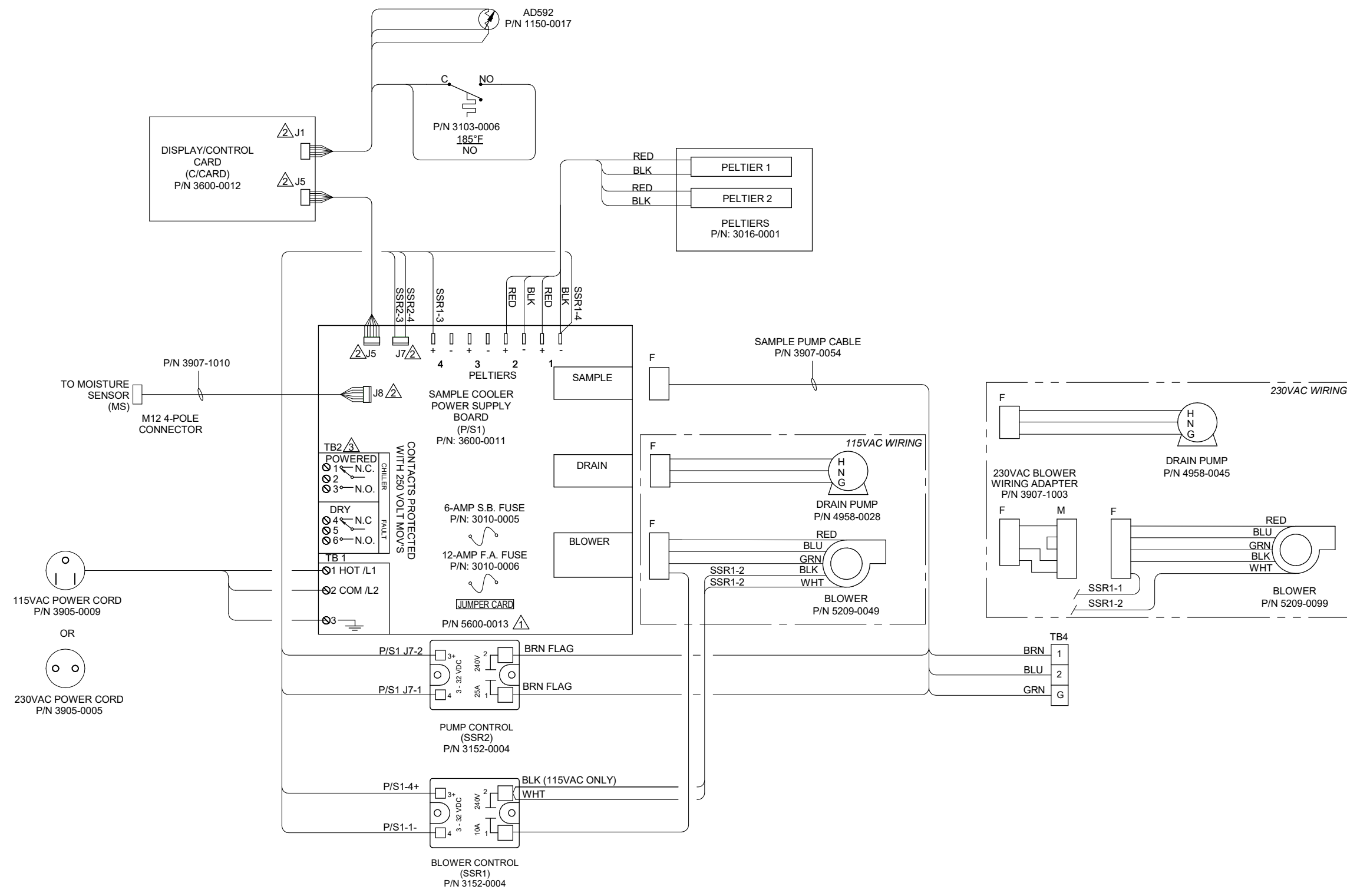
OF P2 HEADS PER MODEL

3010	1
3020	2
3040	1
3050	2
3080	2

ITEM	QTY	PART #	DESCRIPTION
CCS	1	CCS	CONDENSATE CARRY OVER SENSOR
CCSF	1	CCSF-0007	CONDENSATE CARRY OVER SENSOR W/ FILTER
SPC	1	4955-0246	SAMPLE PRESSURE CONTROLLER
P1	1	4958-0025	SAMPLE PUMP - 115 VAC
P1	1	4958-1025	SAMPLE PUMP - 115 VAC HAZ LOC
P1	1	4958-0015	SAMPLE PUMP - 230 VAC
P1	1	4958-0186	SAMPLE PUMP - 230 VAC HAZ LOC
P2	1/2	4958-0006	PERISTALTIC DRAIN PUMP - HEAD

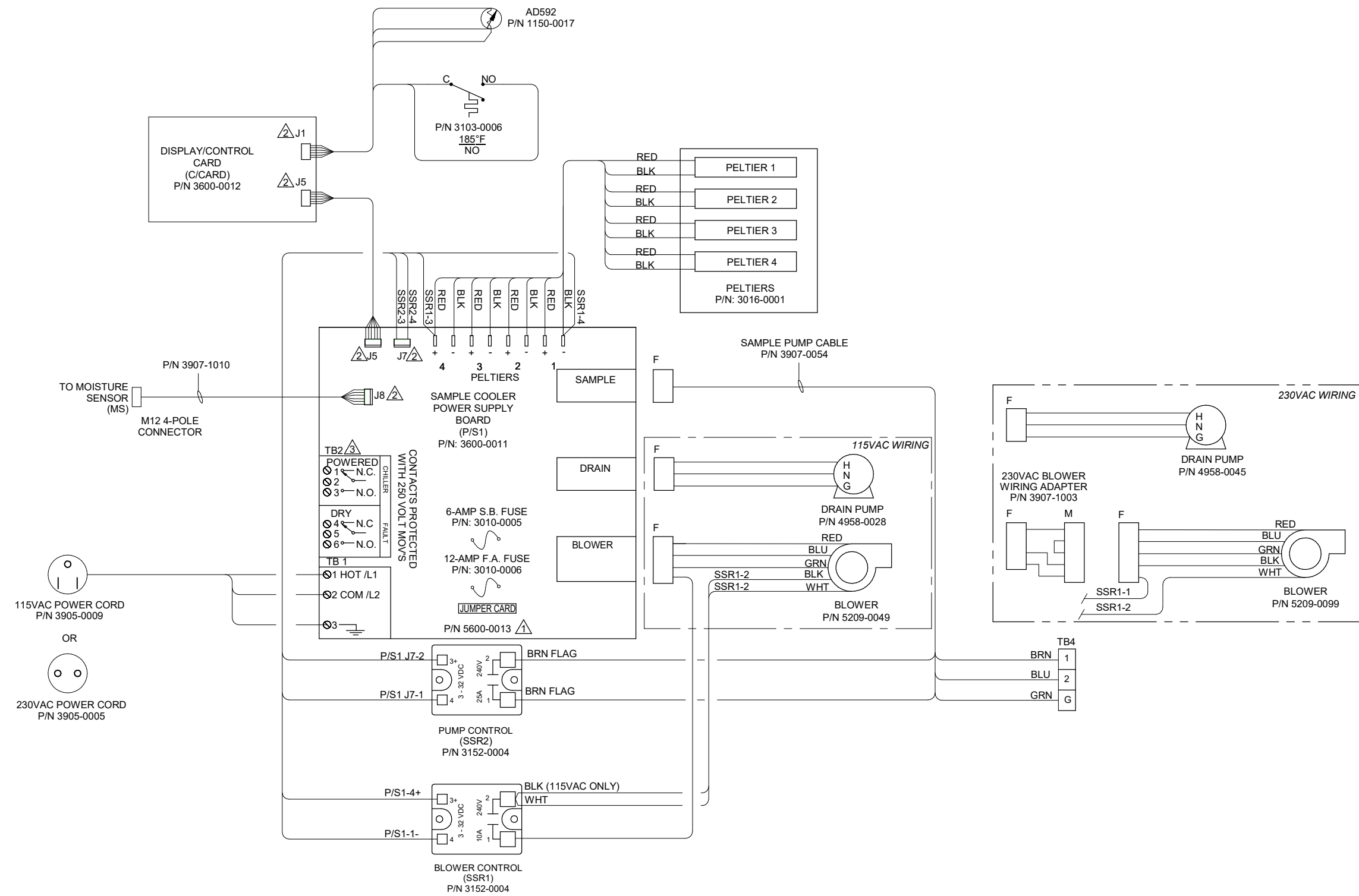


5200 Convair Drive Carson City, NV 89706 PH(775)883-2500 FAX (775)883-6388		C	11/08/19	UPDATE ELECTRICAL SCHEMATIC	RM	EG
P&ID		REV	DATE	DESCRIPTION	DWN	APVD
PART NO. NOT ISSUED		DATE 04/04/2006		SCALE NTS	SIZE D	SHEET 2 OF 4
FOR 3000 SERIES		DRAWN BY R. WELLS		ECO# 3295	DRAWING NO. P1052	
		APVD BY				





- NOTES:
- 1 POSITION JUMPER CARD AS APPROPRIATE FOR UNIT VOLTAGE.
 - 2 ADD A DROP OF LOCTITE 495 (P/N 8008-1003) OR EQUIVALENT CYANOACRYLATE GLUE TO CONNECTORS J5, J7, AND J8 ON P/S1 AND TO CONNECTORS J1 AND J5 ON C/CARD AFTER CONNECTING CABLE.
 - 3 CONTACTS SHOWN IN DEENERGIZED (HOT/ WET) STATE.

5200 Convair Drive Carson City, NV 89706 PH(775)883-2500 FAX (775)883-6388		C	11/08/19	UPDATE ELECTRICAL SCHEMATIC	RM	EG
		REV	DATE	DESCRIPTION	DWN	APVD
		REVISIONS				
3040/3050 INTERNAL WIRING DIAGRAM				DATE	SCALE	SIZE
				04/04/2006	NTS	D
PART NO.	FOR	DRAWN BY R. WELLS		ECO#	SHEET	
NOT ISSUED	3000 SERIES	APVD BY		3295	3 OF 4	
				DRAWING NO. P1052		



NOTES:

- 1 POSITION JUMPER CARD AS APPROPRIATE FOR UNIT VOLTAGE.
- 2 ADD A DROP OF LOCTITE 495 (P/N 8008-1003) OR EQUIVALENT CYANOACRYLATE GLUE TO CONNECTORS J5, J7, AND J8 ON P/S1 AND TO CONNECTORS J1 AND J5 ON C/CARD AFTER CONNECTING CABLE.
- 3 CONTACTS SHOWN IN DEENERGIZED (HOT/ WET) STATE.

5200 Convoir Drive Carson City, NV 89706 PH(775)883-2500 FAX (775)883-6388		C	11/08/19	UPDATE ELECTRICAL SCHEMATIC	RM	EG
 		REV	DATE	DESCRIPTION	DWN	APVD
3080 INTERNAL WIRING DIAGRAM			REVISIONS			
PART NO.		DATE		SCALE	SIZE	SHEET
NOT ISSUED		04/04/2006		NTS	D	4 OF 4
FOR		DRAWN BY		ECO#	DRAWING NO.	
3000 SERIES		R. WELLS		3295	P1052	
		APVD BY				