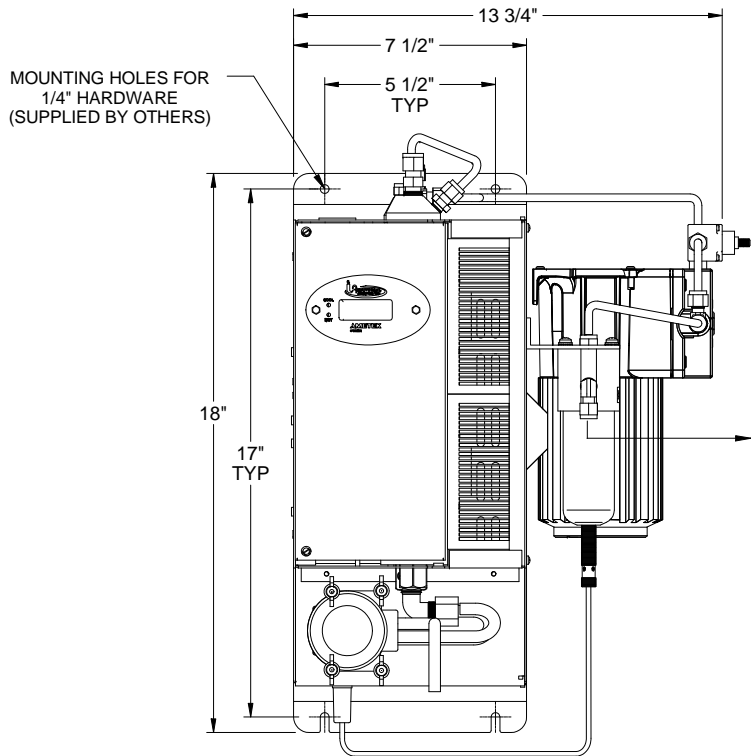
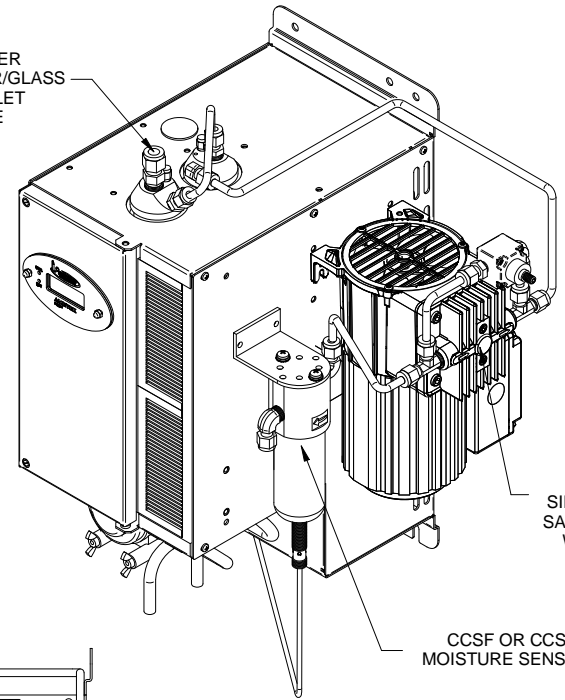


TOP VIEW



FRONT VIEW

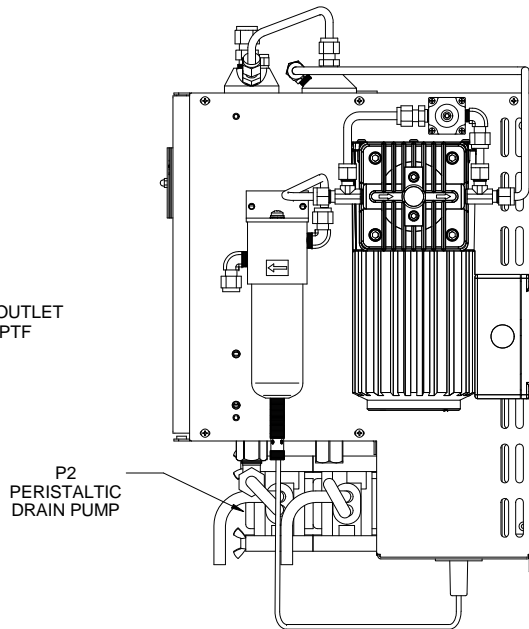
10" IMPINGER
316SS or KYNAR/GLASS
SAMPLE INLET
3/8" TUBE



ISOMETRIC VIEW

P1
SINGLE HEAD
SAMPLE PUMP
WITH SP

CCSF OR CCS
MOISTURE SENSOR



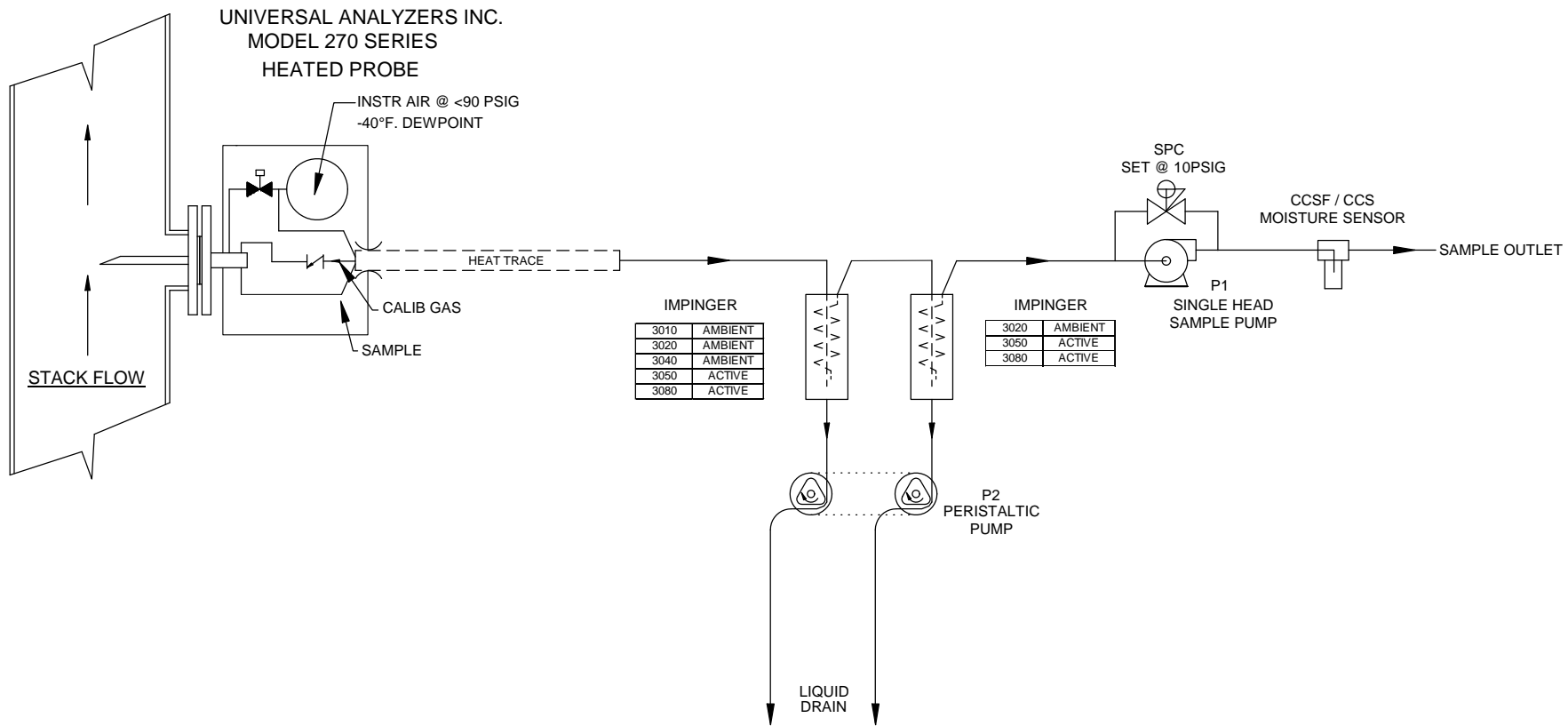
RIGHT SIDE VIEW

— NOTICE —
REVISION OF THIS DOCUMENT
MUST BE AUTHORIZED BY
APPROPRIATE APPROVAL AGENCIES

NOTES:

- 1). SEE SHEET 2 FOR P&ID.
- 2). SEE SHEET 3 & 4 FOR WIRING SCHEMATICS.

B 06/02/15	Moisture Sensor Update	MW	DA
REV DATE	DESCRIPTION	DWN	APVD
REVISIONS			
MODEL 3000XX-P MOUNTING ARRANGEMENT			
PART NO. NOT ISSUED		FOR 3000 SERIES	
<small>3000 Corvair Drive Carson City, NV 89706 PH:702.883.2500 FAX: 1775.883.4388</small>			
DRAWN BY R. Wells	EC0#	DRAWING NO	
APVD BY	2963	P1052	
DATE 04/04/2006	SCALE 1:2	SIZE D	SHEET 1 OF 4



IMPINGER

3010	AMBIENT
3020	AMBIENT
3040	AMBIENT
3050	ACTIVE
3080	ACTIVE

IMPINGER

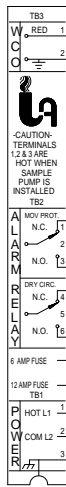
3020	AMBIENT
3050	ACTIVE
3080	ACTIVE

OF P2 HEADS PER MODEL

3010	1
3020	2
3040	1
3050	2
3080	2

Item	Qty	Description	UAI Part No.
CCS	1	Condensate Carry Over Sensor	CCS
CCSF	1	Condensate Carry Over Sensor - Filtered Ceramic, 2 Micron	CCSF-0007
SPC	1	Sample Pressure Control - KNF	4955-0246
P1	1	Sample Pump - 115Vac Single Head Mini Dia Vac GP	4958-0025
P1	1	Sample Pump - 115Vac Single Head Mini Dia Vac Hzd Area	4958-1025
P1	1	Sample Pump - 230Vac Single Head Mini Dia Vac GP	4958-0015
P1	1	Sample Pump - 230Vac Single Head Mini Dia Vac Hzd Area	4958-0186
P2	1	Peristaltic Drain Pump - 115Vac	4958-0028
P2	1	Peristaltic Drain Pump - 230Vac	4958-0045

B	06/02/15	Moisture Sensor Update	MW	DA
REV	DATE	DESCRIPTION	DWN	APVD
REVISIONS				
Model 3000XX-P P&ID				
PART NO.		FOR		
NOT ISSUED		3000 SERIES		
<small>5200 Convair Drive Carson City, NV 89706 PH(775)883-2500 FAX (775)883-6388</small>				
DRAWN BY R. Wells		ECO#	DRAWING NO	
APVD BY		2563	P1052	
DATE	SCALE	SIZE	SHEET	
04/04/2006	NTS	C	2 OF 4	



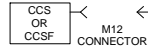
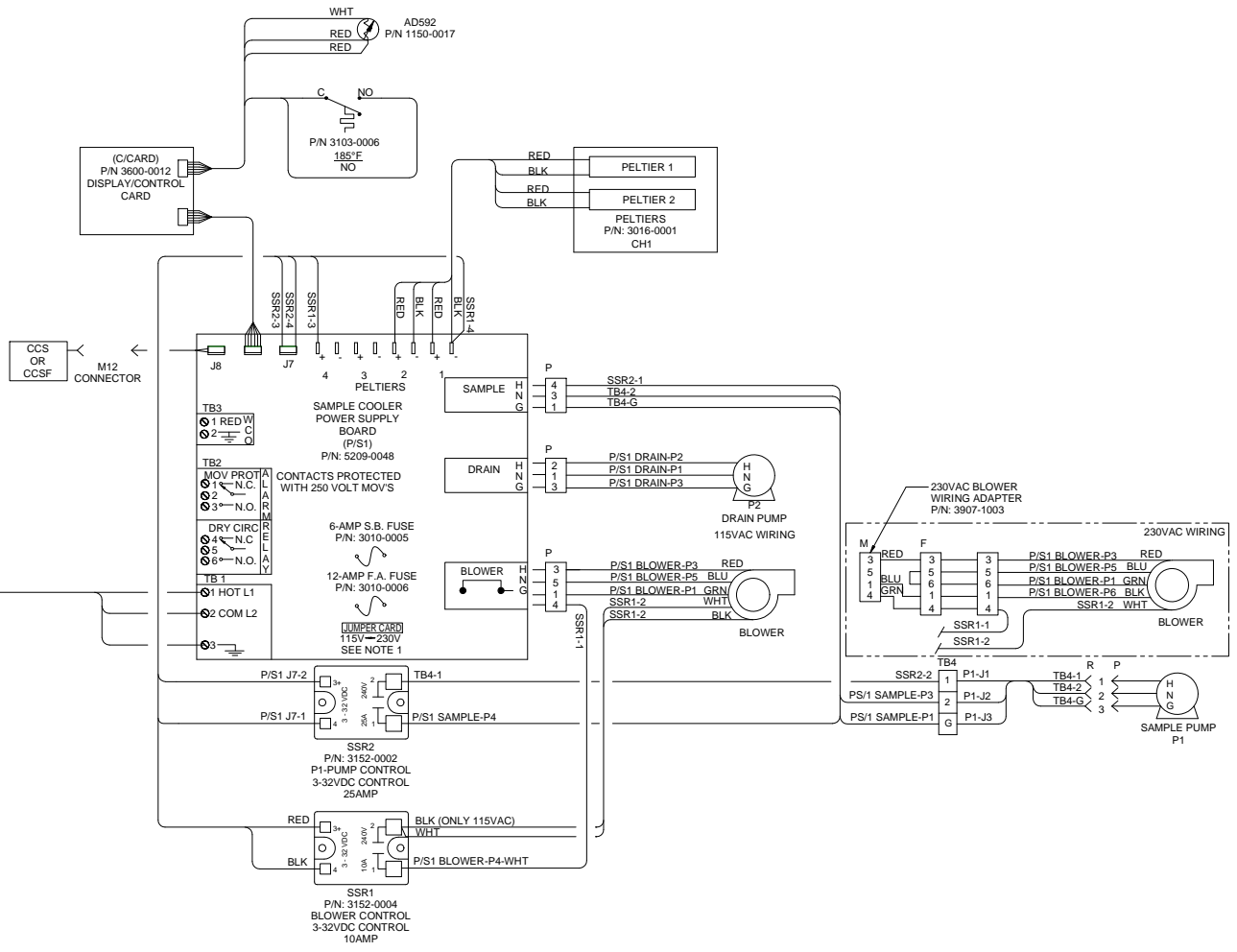
CAUTION-
TERMINALS
1,2,3 ARE
HOT WHEN
SAMPLE
PUMP IS
INSTALLED

MOV PROT
N.C.
N.O.

DRY CIRC
N.C.
N.O.

HOT L1
COM L2

REVERSE



MOLEX CONNECTOR LEGEND
 R = RECEPTACLE (FEMALE HOUSING)
 < = SOCKET (FEMALE TERMINAL)
 P = PLUG (MALE HOUSING)
 -> = PIN (MALE TERMINAL)

B	06/02/15	Moisture Sensor Update	MW	DA
REV	DATE	DESCRIPTION	DWN	APVD
REVISIONS				
MODEL 300XX-P WIRING SCHEMATIC				
PART NO		FOR		
NOT ISSUED		3040 3050		
<small>5200 Central Drive Carson City, NV 89706 P47751853-2552 FAX: 1775983-6388</small>				
DRAWN BY	R. Wells	EC0#	DRAWING NO	
APVD BY		2963	P1052	
DATE	04/04/2006	SCALE	SIZE	SHEET
		NTS	D	3 OF 4

