

NOTES:

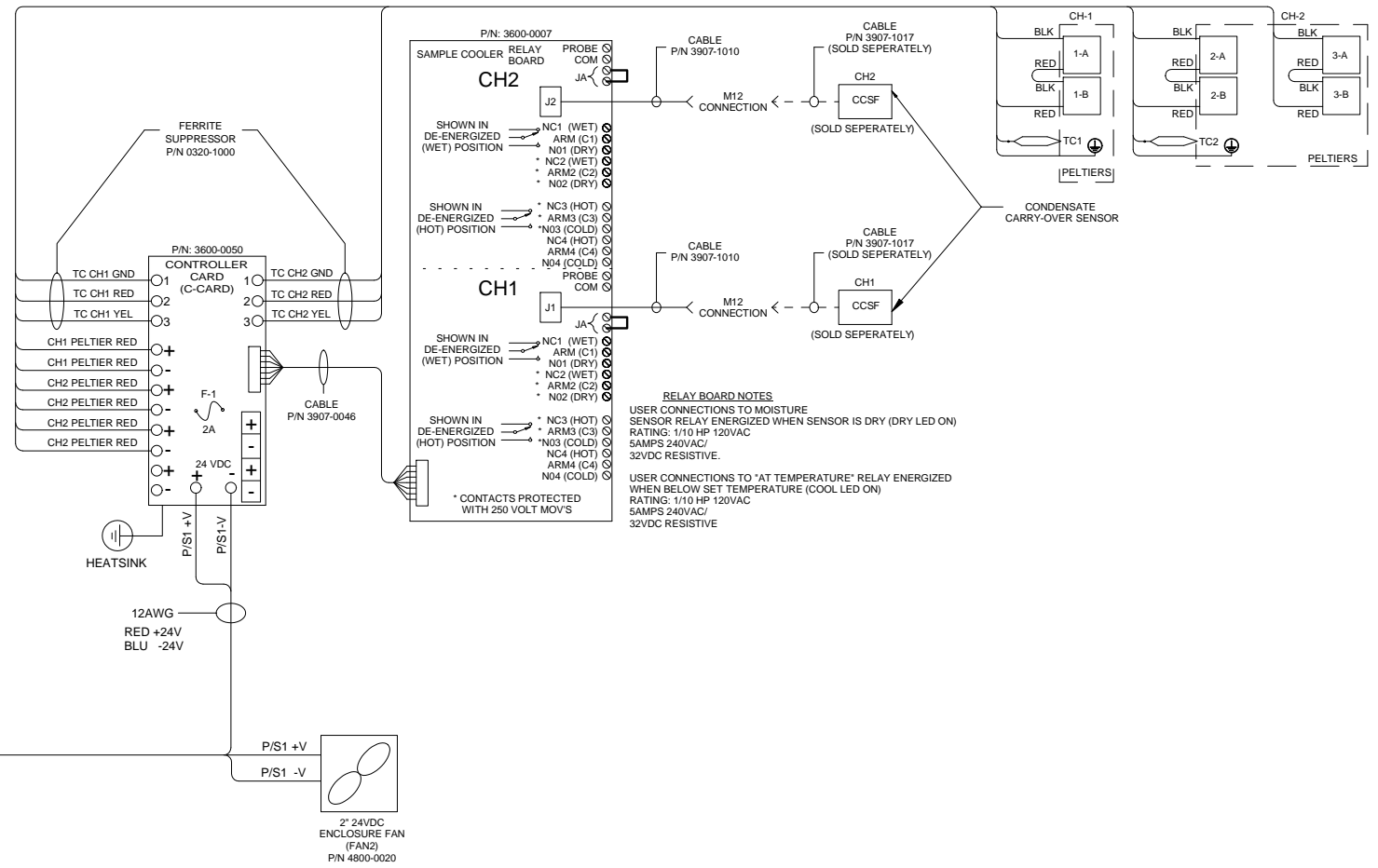
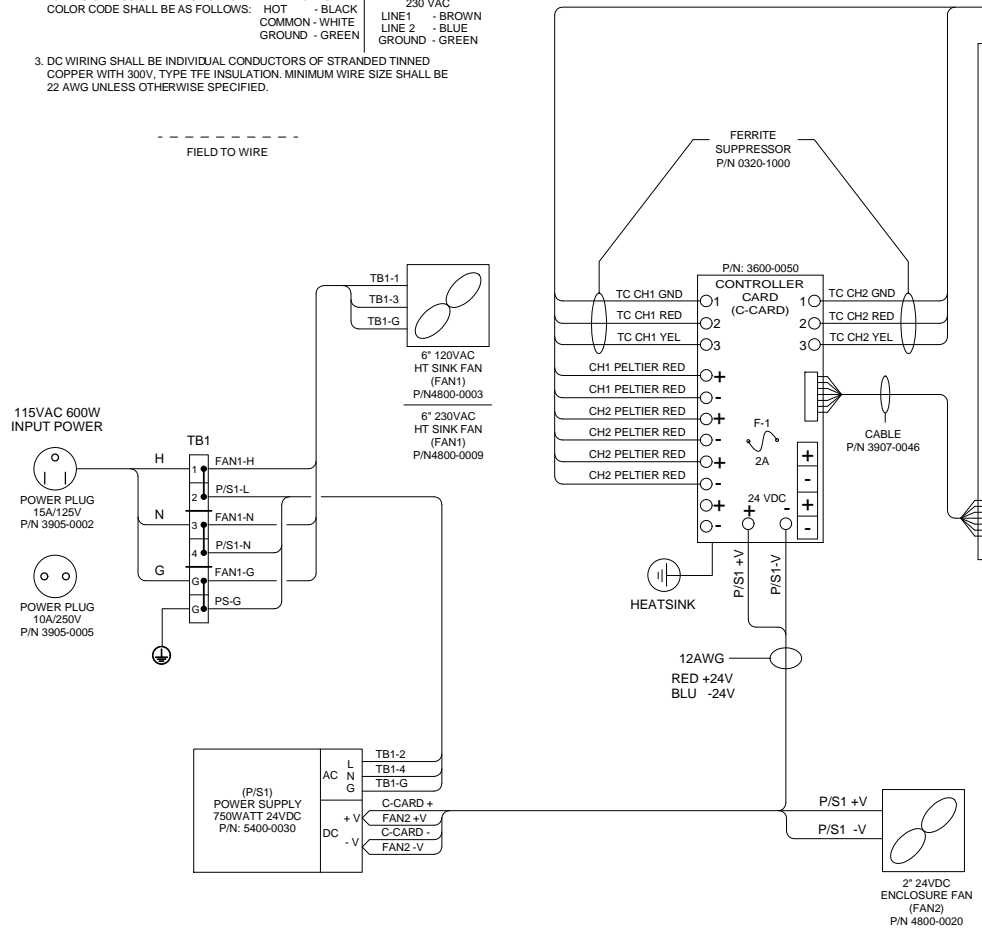
- 1). ARRANGEMENT MAY VARY ACCORDING TO GOOD ENGINEERING AND ASSEMBLY PRACTICES.
- 2). SEE SHEET 2 FOR WIRING SCHEMATIC.
- 3) SYSTEM CAN BE CONFIGURED WITH 1, 2, OR 3 INLETS. EACH INLET WILL BE LOCATED ON A DIFFERENT IMPINGER.
- 4) SAMPLE OUTLET SIZE IS 1/4" TUBE.

		F 02/04/16	Update System	MW	DR
REV	DATE	DESCRIPTION		DWN APVD	
		REVISIONS			
MODEL 1390 CHILLER GENERAL ARRANGEMENT		DATE	SCALE	SIZE	SHEET
PART NO.		10/14/2004	NTS	D	1 OF 3
FOR		DRAWN BY	ECG#	DRAWING NO.	
INSTRUMENT		E. Musselman		P0891	
NOT ISSUED		APVD BY	2730		
		T. Barben			

CONDUIT AND WIRING NOTES

- ELECTRICAL CLASSIFICATION : INSIDE - GENERAL PURPOSE SYSTEM IS CONFIGURED AT THE FACTORY FOR REQUIRED VOLTAGE. CONTACT FACTORY FOR VOLTAGE CHANGE REQUIREMENTS.
- AC WIRING SHALL BE INDIVIDUAL CONDUCTORS OF STRANDED TINNED COPPER WITH 300V, TYPE TFE INSULATION. MINIMUM WIRE SIZE SHALL BE 18 AWG UNLESS OTHERWISE SPECIFIED.

115VAC	230 VAC
HOT - BLACK	LINE1 - BROWN
COMMON - WHITE	LINE 2 - BLUE
GROUND - GREEN	GROUND - GREEN
- DC WIRING SHALL BE INDIVIDUAL CONDUCTORS OF STRANDED TINNED COPPER WITH 300V, TYPE TFE INSULATION. MINIMUM WIRE SIZE SHALL BE 22 AWG UNLESS OTHERWISE SPECIFIED.



RELAY BOARD NOTES

USER CONNECTIONS TO MOISTURE SENSOR RELAY ENERGIZED WHEN SENSOR IS DRY (DRY LED ON)
 RATING: 1/10 HP 120VAC
 5AMPS 240VAC/
 32VDC RESISTIVE.

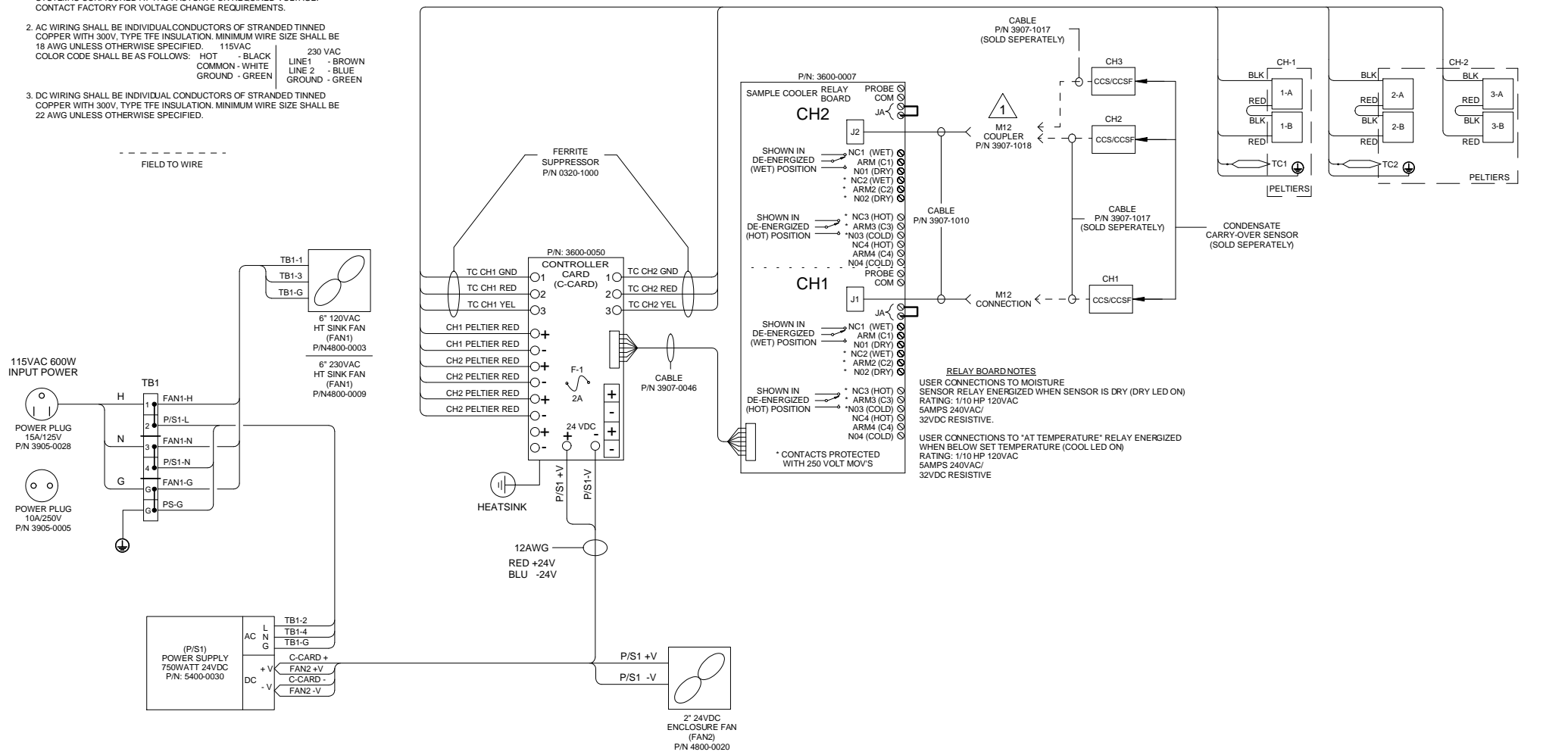
USER CONNECTIONS TO "AT TEMPERATURE" RELAY ENERGIZED WHEN BELOW SET TEMPERATURE (COOL LED ON)
 RATING: 1/10 HP 120VAC
 5AMPS 240VAC/
 32VDC RESISTIVE

		F 02/04/16	Update System	MW	DR
REV	DATE	DESCRIPTION		DWN	
MODEL 1390 WIRING SCHEMATIC (1 OR 2 STREAM)					
DATE	SCALE	NTS	SIZE	SHEET	
10/14/2004			D	2 OF 3	
PART NO.	FOR		ECO#	DRAWING NO.	
NOT ISSUED	INSTRUMENT		2730	P0891	
DRAWN BY	E. Musselman	APVD BY	T. Barben		

CONDUIT AND WIRING NOTES

- ELECTRICAL CLASSIFICATION : INSIDE - GENERAL PURPOSE SYSTEM IS CONFIGURED AT THE FACTORY FOR REQUIRED VOLTAGE. CONTACT FACTORY FOR VOLTAGE CHANGE REQUIREMENTS.
- AC WIRING SHALL BE INDIVIDUAL CONDUCTORS OF STRANDED TINNED COPPER WITH 300V, TYPE TFE INSULATION. MINIMUM WIRE SIZE SHALL BE 18 AWG UNLESS OTHERWISE SPECIFIED.

115VAC	230 VAC
HOT - BLACK	LINE1 - BROWN
COMMON - WHITE	LINE 2 - BLUE
GROUND - GREEN	GROUND - GREEN
- DC WIRING SHALL BE INDIVIDUAL CONDUCTORS OF STRANDED TINNED COPPER WITH 300V, TYPE TFE INSULATION. MINIMUM WIRE SIZE SHALL BE 22 AWG UNLESS OTHERWISE SPECIFIED.



NOTES:

1 IF A (3) STREAM CHILLER IS CONFIGURED, AND IS USED IN CONJUNCTION WITH (3) CONDENSATE CARRY-OVER SENSORS THEN THE USER WILL NEED TO USE AN EXTERNAL COUPLER TO COMBINE THE SIGNALS FROM CH2 & CH3.

TOTAL CABLE REQUIRED FOR CH1, CH2, AND CH3:
 - (3) P/N 3907-1017 (STANDARD 1 METER, M12 CABLE ASSEMBLY)
 - (1) P/N 3907-1018 (M12 COUPLER)

		F 02/04/16	Update System	MW	DR
REV	DATE	DESCRIPTION		DWN	
MODEL 1390 WIRING SCHEMATIC (3 STREAM)		REVISIONS		SIZE	
DATE	SCALE	NTS	SIZE	SHEET	
10/14/2004			D	3 OF 3	
PART NO.	FOR	DRAWN BY	ECO#	DRAWING NO.	
NOT ISSUED	INSTRUMENT	E. Musselman		P0891	
		APVD BY	T. Barben	2730	