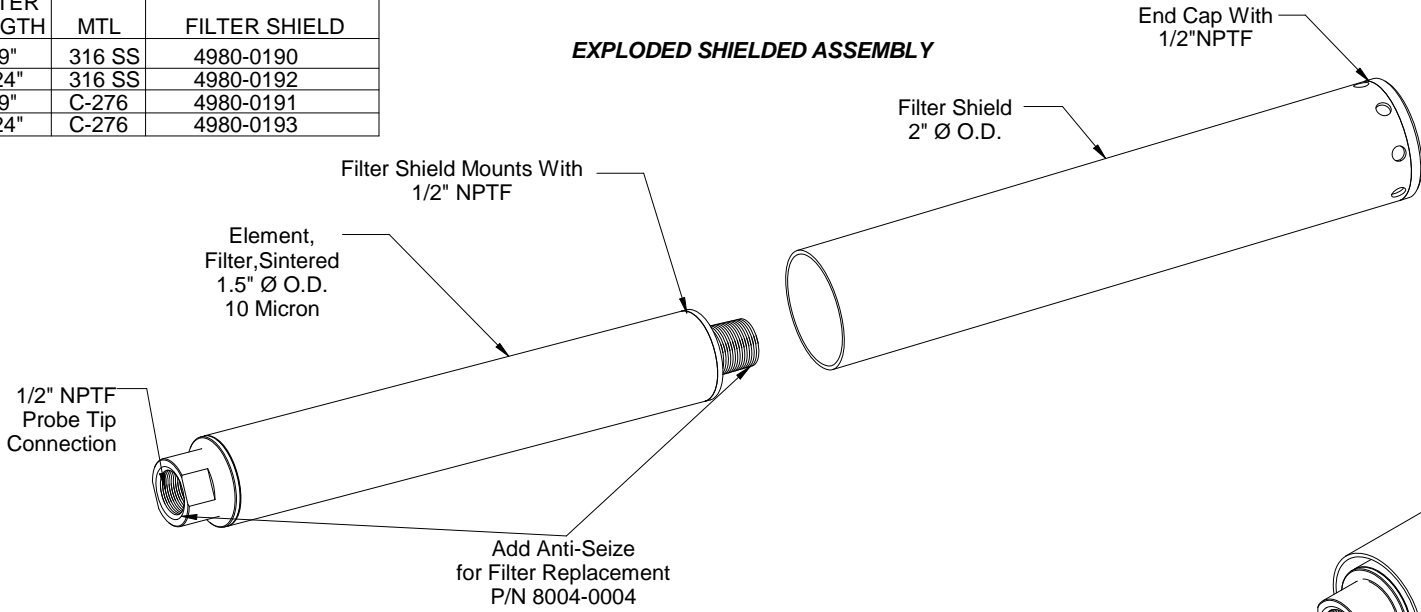
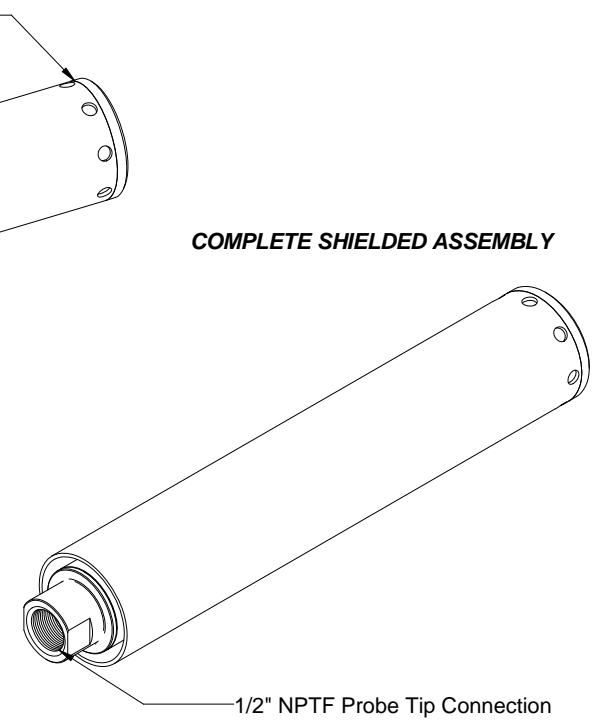


FILTER LENGTH	MTL	FILTER SHIELD
9"	316 SS	4980-0190
24"	316 SS	4980-0192
9"	C-276	4980-0191
24"	C-276	4980-0193

EXPLODED SHIELDED ASSEMBLY

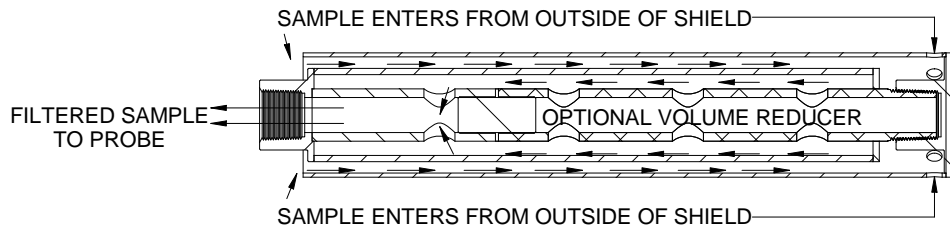
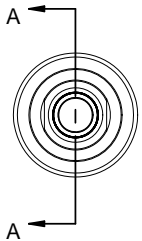
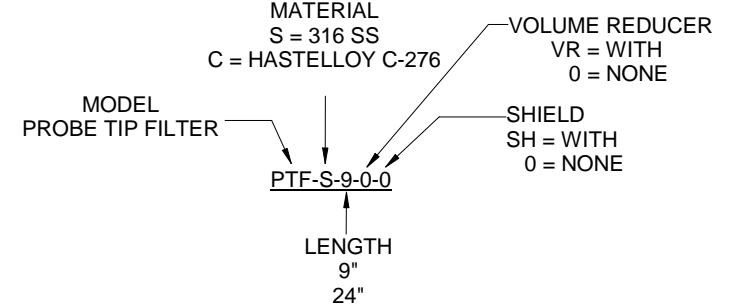


COMPLETE SHIELDED ASSEMBLY



FILTER LENGTH	MATERIAL	FILTER ELEMENT W/ VOLUME REDUCER	FILTER ELEMENT W/O VOLUME REDUCER
9"	316 SS	4980-0184	4980-0182
24"	316 SS	4980-0188	4980-0186
9"	C-276	4980-0185	4980-0183
24"	C-276	4980-0189	4980-0187

MODEL PTF SERIES NOMENCLATURE



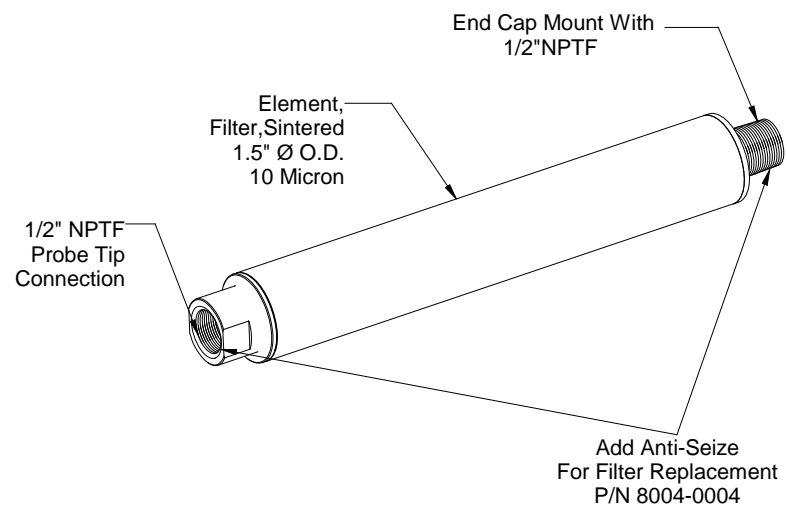
SECTION A-A

UNIVERSAL ANALYZERS INC. 5200 Convair Drive Carson City, Nevada 89706 USA		F 03/02/09	Change End Caps	MW	DA
REV	DATE	DESCRIPTION		DWN	APVD
	10/09/2003	REVISIONS			
DRAWN BY	E. Musselman	SCALE	1:1	SIZE	D
APVD BY	T. Barben			SHEET	1 OF 2
PART NO.	FOR	DRAWING NO.			
SEE DWG	INSTRUMENT	P0760			

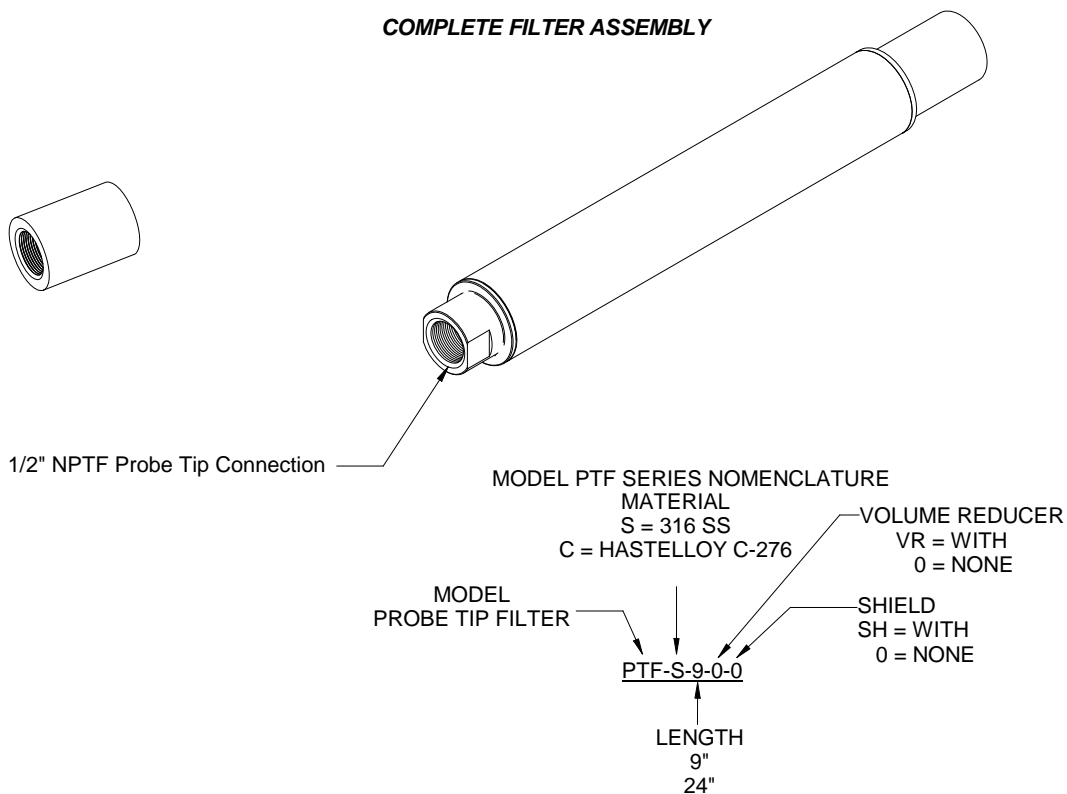
PART NO.	DESCRIPTION
4951-1037	PIPE CAP - FILTER ELEMENT 316 SS
5150-1038	END CAP - FILTER ELEMENT C-276

FILTER LENGTH	MATERIAL	FILTER ELEMENT W/ VOLUME REDUCER	FILTER ELEMENT W/O VOLUME REDUCER
9"	316 SS	4980-0184	4980-0182
24"	316 SS	4980-0188	4980-0186
9"	C-276	4980-0185	4980-0183
24"	C-276	4980-0189	4980-0187

EXPLODED FILTER ASSEMBLY



COMPLETE FILTER ASSEMBLY



UNIVERSAL ANALYZERS INC. 5200 Convair Drive Carson City, Nevada 89706 USA		F 03/02/09	Change End Caps	MW	RS
PROBE TIP FILTER W/O SHIELD PTF SERIES		REV	DATE	DESCRIPTION	DWNJ/APVD
PART NO. SEE DWG		DATE	SCALE	SIZE	SHEET
FOR INSTRUMENT		10/09/2003	1:1	D	2 OF 2
DRAWN BY E. Musselman		DRAWING NO. P0760			
APVD BY T. Barben					