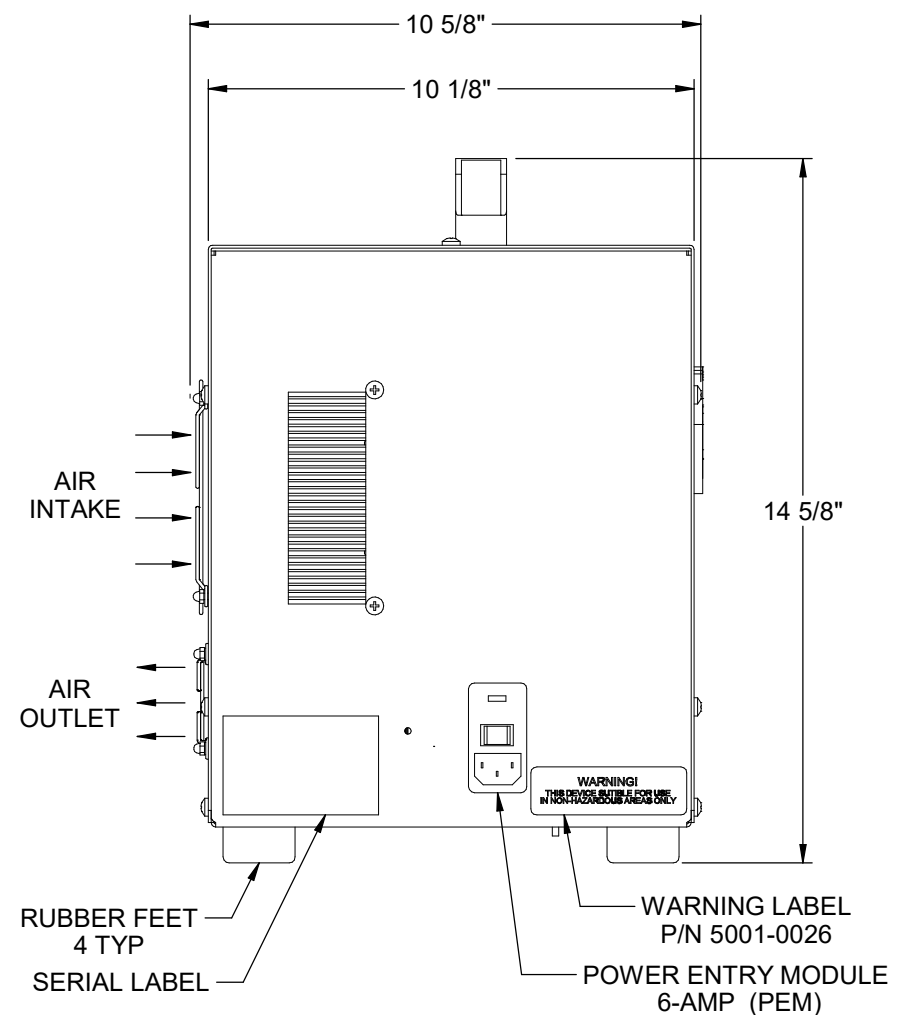
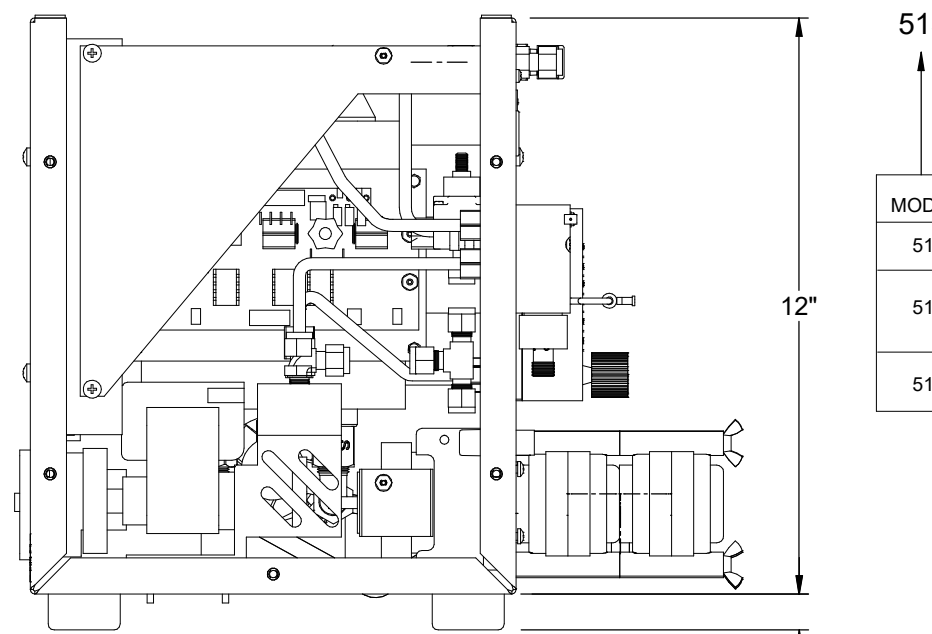


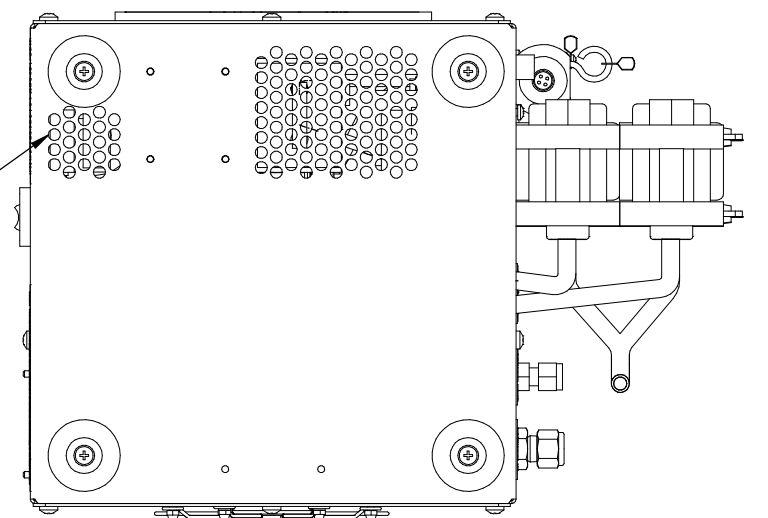
TOP VIEW



LEFT SIDE VIEW



FRONT VIEW



BOTTOM VIEW

PART NUMBER MATRIX

MODEL #	# OF IMPINGERS	ACTIVE / PASSIVE	IMPINGER MATERIAL		VOLTAGE (GENERAL PURPOSE)	
512	1	(1) ACTIVE	C	HASTELLOY C-276	115	115 VAC 50/60 Hz
513	2	(1) ACTIVE (1) PASSIVE	PV	GLASS / KYNAR	230	230 VAC 50/60 Hz
514	2	(2) ACTIVE	SS	STAINLESS STEEL		
			ST	TEFLON COATED STAINLESS STEEL		

FLOW METER	
5 LPM FLOW METER (NO OTHER OPTIONS)	FM5

- NOTES:
- 1). VIEWS ARE SHOWN IN MODEL 514 CONFIGURATION.
  - 2). COVER REMOVED ON THE FRONT AND TOP VIEWS TO SHOWN INTERIOR.
  - 3). SEE SHEET 2 FOR P&ID.
  - 4). SEE SHEET 3 FOR ELECTRICAL SCHEMATIC.

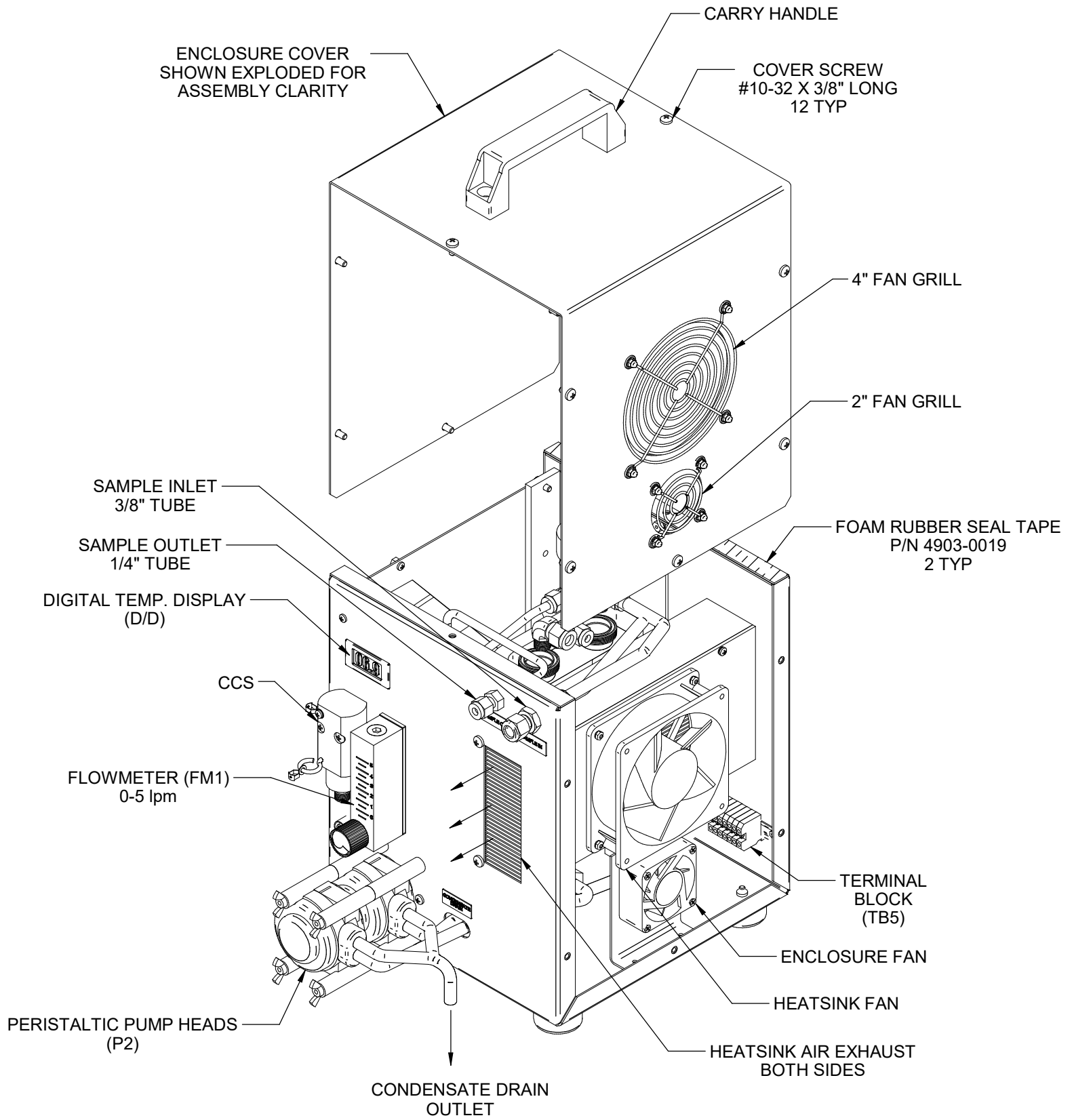
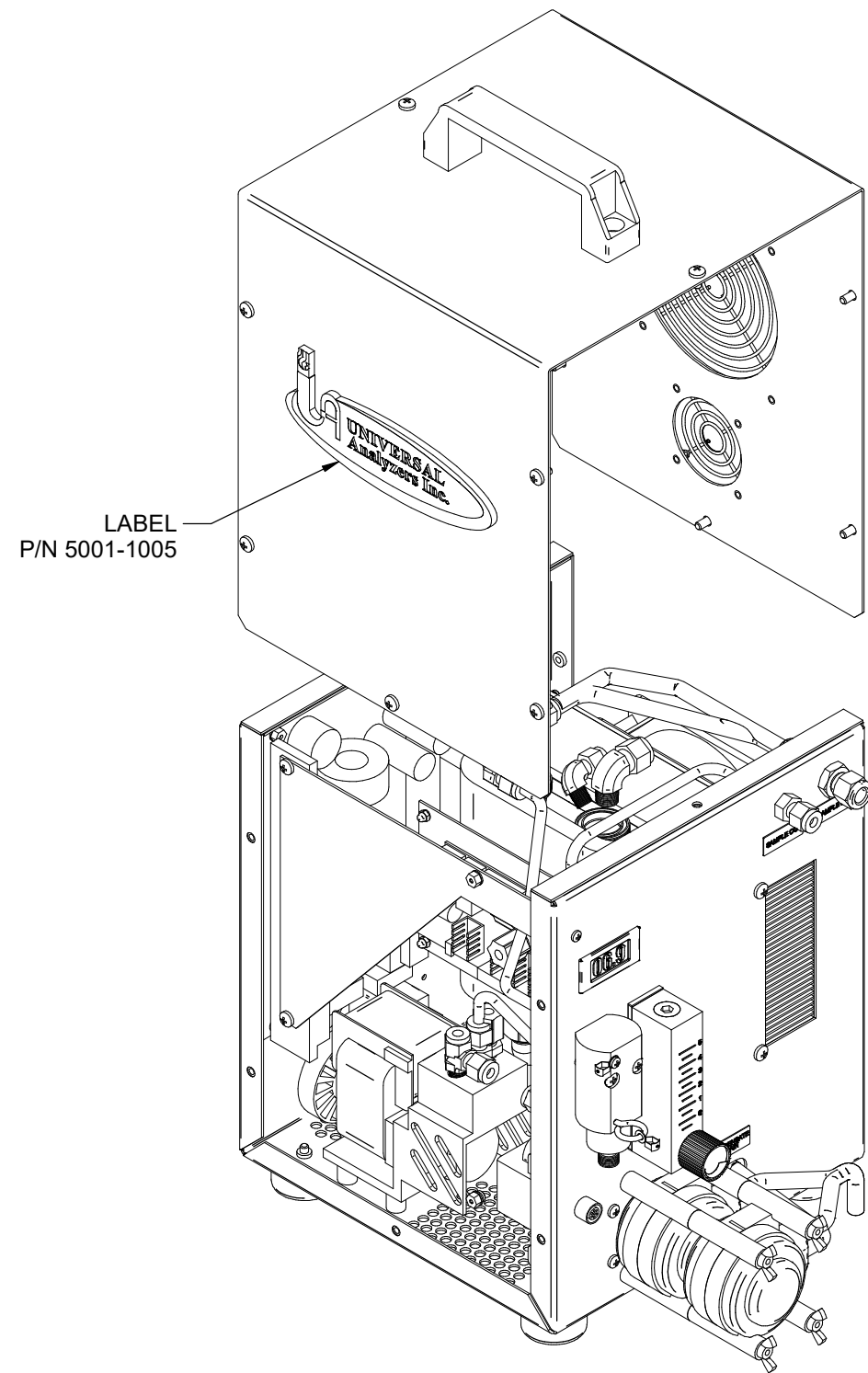
5200 Convair Drive Carson City, NV 89706 PH(775)883-2500 FAX (775)883-6388

**UNIVERSAL Analyzers Inc.** **AMETEK**



REV	DATE	DESCRIPTION	CS	EM
N	01/05/18	AS-BUILT		
REVISIONS				
DATE	SCALE	SIZE	SHEET	
04/01/2003	1:2	D	1 OF 4	
DRAWN BY	R.Harder	ECO#	DRAWING NO.	
APVD BY	T. Barben	2833	P0703	

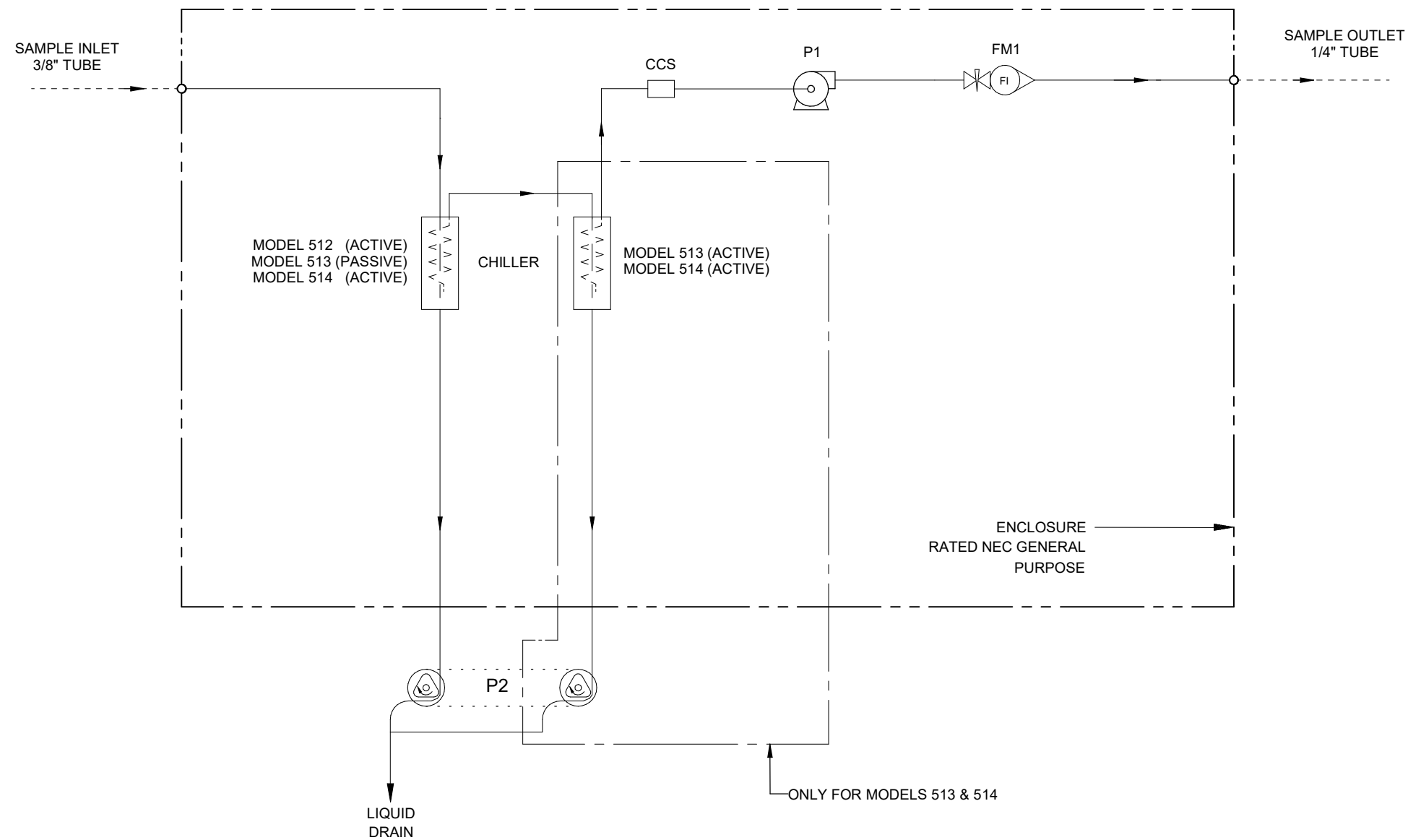
MODEL 512, 513 & 514 LAYOUT & DIMENSIONS

PART NO. SEE TABLE FOR SAMPLE COOLER, PORTABLE



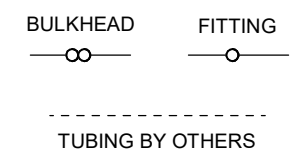
EXPLODED VIEW

5200 Convair Drive Carson City, NV 89706 PH(775)883-2500 FAX (775)883-6388		N	01/05/18	AS-BUILT	CS	EM
 		REV	DATE	DESCRIPTION	DWN/APVD	
REVISIONS						
MODEL 512, 513 & 514		DATE	SCALE	SIZE	SHEET	
EXPLODED VIEW		04/01/2003	1:2	D	2 OF 4	
PART NO.	FOR	DRAWN BY	ECO#	DRAWING NO.		
SEE TABLE	SAMPLE COOLER, PORTABLE	R.Harder	2833	P0703		
		APVD BY				
		T. Barben				



MODEL #	# OF IMPINGERS	ACTIVE / PASSIVE
512	1	(1) ACTIVE (1) PASSIVE
513	2	(1) ACTIVE (1) PASSIVE
514	2	(2) ACTIVE

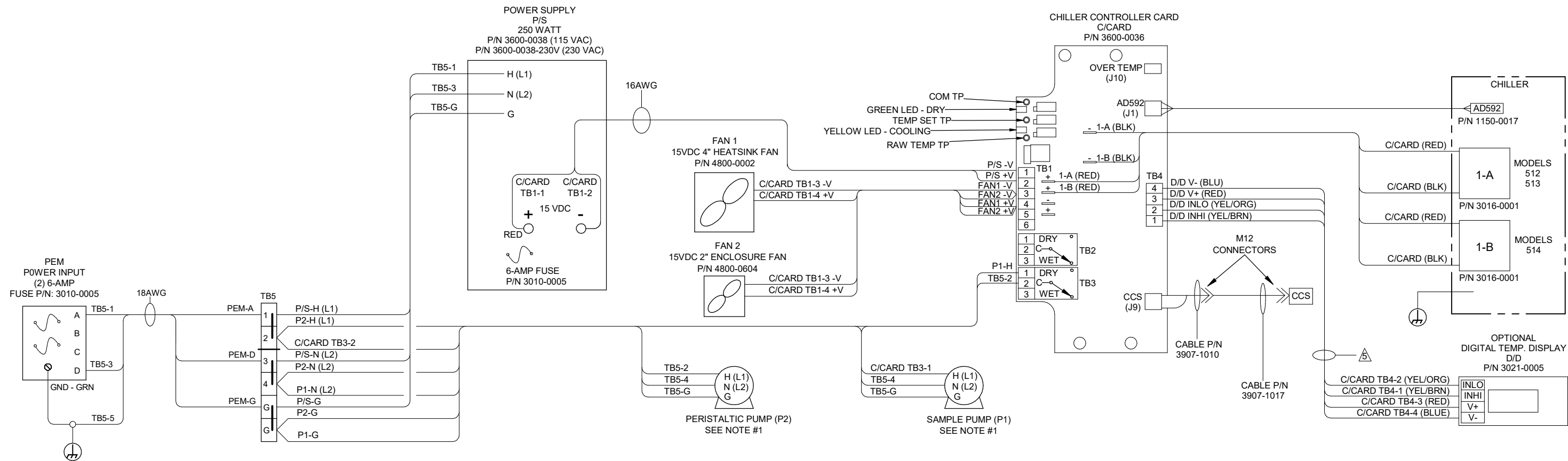
ITEM	QTY	DESCRIPTION	PART NO.	
			115VAC	230VAC
CCS	1	CONDENSATE CARRY-OVER SENSOR, KYNAR PANEL MOUNT	6020-0005	6020-0005
P1	1	SAMPLE PUMP - MICRO DIA-VAC, ALUM/TFE SINGLE HEAD	4958-0118	4958-1067
P2	1	PREISTALTIC DRAIN PUMP - SINGLE HEAD (MODEL 512 ONLY)	4958-0027	4958-0056
P2	1	PREISTALTIC DRAIN PUMP - DUAL HEAD (MODELS 513 & 514 ONLY)	4958-0057	4958-0058
FM1	1	FLOW METER W/ NEEDLE VALVE 0-5 L/MIN	4965-0008	4965-0008
CHILLER	1	UNIVERSAL ANALYZERS MODEL 512, 513, 514	REFERENCE CONFIGURATION	



5200 Convair Drive Carson City, NV 89706 PH(775)883-2500 FAX (775)883-6388

**UNIVERSAL ANALYZERS INC.** **AMETEK**

REV	DATE	DESCRIPTION	CS	EM
N	01/05/18	AS-BUILT		
REVISIONS				
DATE	SCALE	SIZE	SHEET	
04/01/2003	NTS	D	3 OF 4	
PART NO.	FOR	DRAWN BY	ECO#	DRAWING NO.
SEE TABLE	SAMPLE COOLER, PORTABLE	R.Harder	2833	P0703
		APVD BY		
		T. Barben		



**CONDUIT AND WIRING NOTES**

- ELECTRICAL AREA CLASSIFICATION: INSIDE - GENERAL PURPOSE SYSTEM IS CONFIGURED AT THE FACTORY FOR REQUIRED VOLTAGE. CONTACT FACTORY FOR VOLTAGE CHANGE REQUIREMENTS
- AC WIRING SHALL BE INDIVIDUAL CONDUCTORS OF STRANDED TINNED COPPER WITH 300V, TYPE TFE INSULATION. MINIMUM WIRE SIZE SHALL BE 18 AWG  
 COLOR CODE SHALL BE AS FOLLOWS:
 

	115VAC	230VAC
HOT	- BLACK	L1 - BROWN
NEUTRAL	- WHITE	L2 - BLUE
GROUND	- GREEN	END - GREEN
- DC CONTROL WIRING SHALL BE INDIVIDUAL CONDUCTORS OF STRANDED TINNED COPPER WITH 300V, TYPE TFE INSULATION. MINIMUM WIRE SIZE SHALL BE 18 AWG.  
 COLOR CODE SHALL BE AS FOLLOWS:
 

	115VAC	230VAC
+	RED	RED
-	BLUE	BLACK
- DC SIGNAL WIRING SHALL BE INDIVIDUAL CONDUCTORS OF STRANDED TINNED COPPER WITH 300V, TYPE TFE INSULATION. MINIMUM WIRE SIZE SHALL BE 18 AWG.  
 COLOR CODE SHALL BE AS FOLLOWS:
 

COMMON	- YELLOW
SWITCH	- YELLOW

⚠ DISPLAY SIGNAL WIRING NOT TO BE RUN NEAR A/C WIRING

		5200 Convair Drive Carson City, NV 89706 PH(775)883-2500 FAX (775)883-6388		
REV	DATE	DESCRIPTION	CS	EM
	01/05/18	AS-BUILT		
REVISIONS				
DATE		SCALE	SIZE	SHEET
04/01/2003		NTS	D	4 OF 4
DRAWN BY		ECO#	DRAWING NO.	
R.Harder		2833	P0703	
APVD BY				
T. Barben				

**MODEL 512, 513 & 514**  
**WIRING SCHEMATIC**

PART NO. FOR  
 SEE TABLE SAMPLE COOLER, PORTABLE