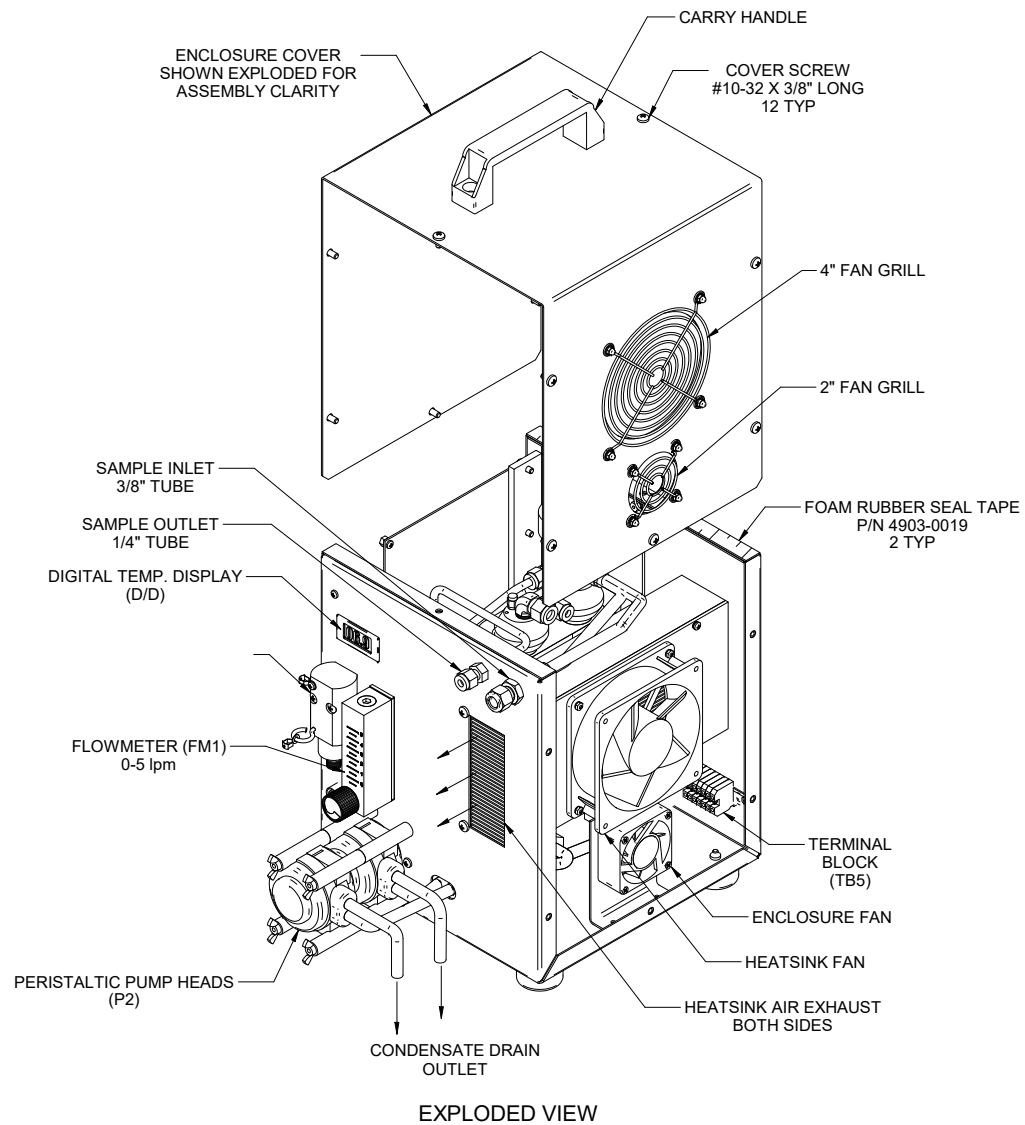


**PART NUMBER MATRIX**

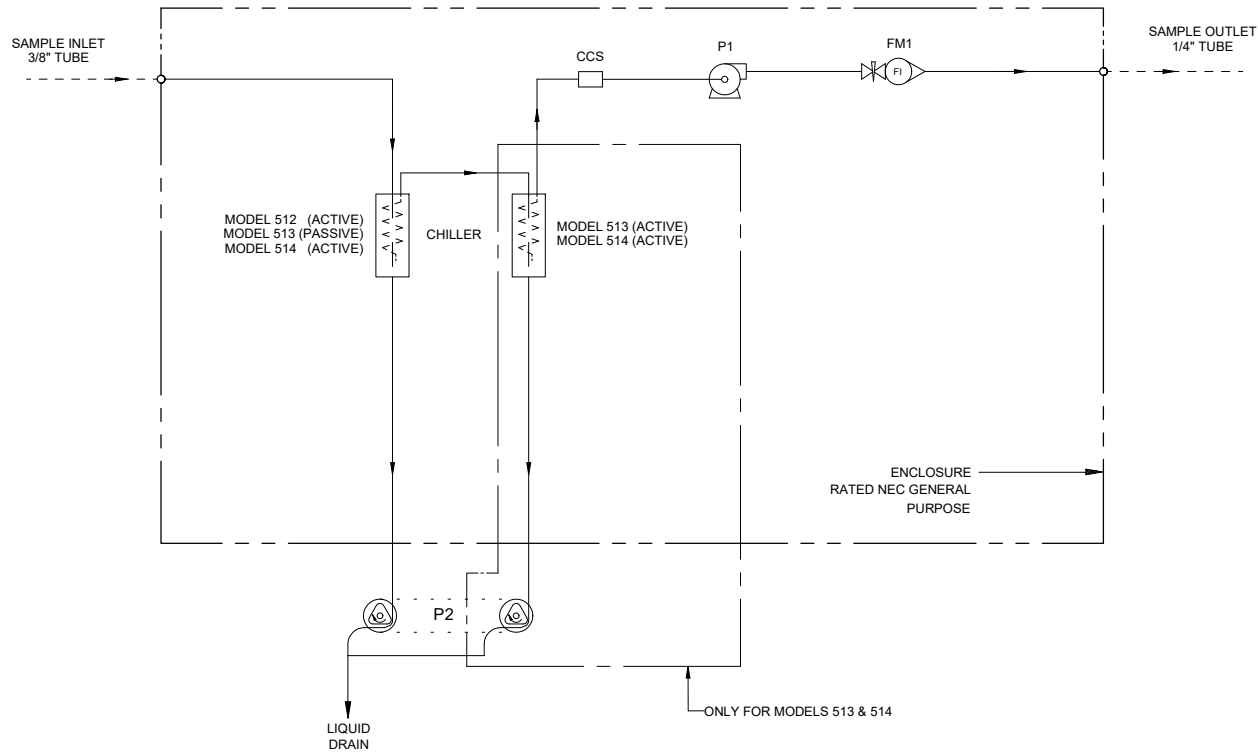
513	SS	115	FM5		
MODEL #	# OF IMPINGERS	ACTIVE / PASSIVE	IMPINGER MATERIAL	VOLTAGE (GENERAL PURPOSE)	
512	1	(1) ACTIVE	C	HASTELLOY C-276	115 115 VAC 50/60 Hz
513	2	(1) ACTIVE (1) PASSIVE	PV	GLASS / KYNAR	230 230 VAC 50/60 Hz
514	2	(2) ACTIVE	SS	STAINLESS STEEL	
			ST	TEFLON COATED STAINLESS STEEL	
					<b>FLOW METER</b>
					5 LPM FLOW METER (NO OTHER OPTIONS) FM5

- NOTES:**
- 1). VIEWS ARE SHOWN IN MODEL 514 CONFIGURATION.
  - 2). COVER REMOVED ON THE FRONT AND TOP VIEWS TO SHOWN INTERIOR.
  - 3). SEE SHEET 2 FOR P&ID.
  - 4). SEE SHEET 3 FOR ELECTRICAL SCHEMATIC.

		M	06/22/16	Update Standard 500 Series Drawings	MW	EM
REV	DATE	DESCRIPTION		REVISIONS		DWN/APVD
<b>MODEL 512, 513 &amp; 514 LAYOUT &amp; DIMENSIONS</b>						
PART NO.	FOR	DATE	SCALE	SIZE	SHEET	
SEE TABLE	SAMPLE COOLER, PORTABLE	04/01/2003	1:2	D	1 OF 4	
DRAWN BY		APVD BY	ECO#	DRAWING NO.		
R.Harder		T. Barben	2833	P0703		

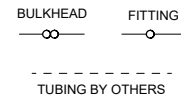


5200 Convoir Drive Carson City, NV 89706 PH(775)883-2000 FAX(775)883-6388		M	06/22/16	Update Standard 500 Series Drawings	MW	EM
		REV	DATE	DESCRIPTION	DWN	APVD
		REVISIONS				
MODEL 512, 513 & 514 EXPLODED VIEW						
PART NO.	FOR	DATE	SCALE	SIZE	SHEET	SHEET
SEE TABLE	SAMPLE COOLER, PORTABLE	04/01/2003	1:2	D	2 OF 4	4
DRAWN BY	R.Harder	ECO#	2833	DRAWING NO.	P0703	
APVD BY	T. Barben					

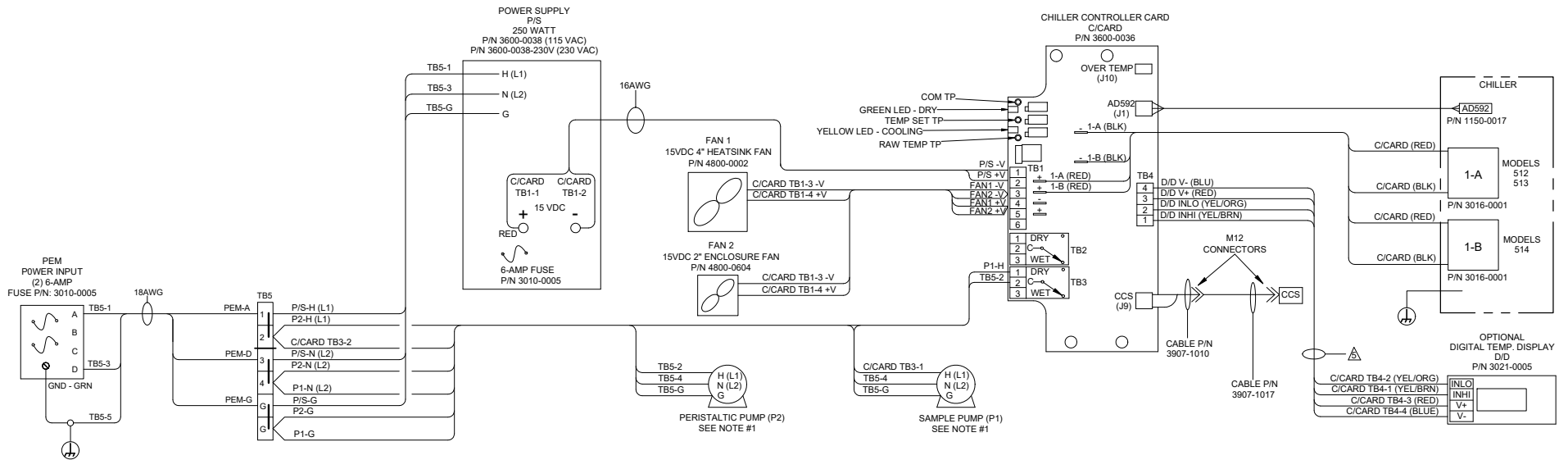


MODEL #	# OF IMPINGERS	ACTIVE / PASSIVE
512	1	(1) ACTIVE (1) PASSIVE
513	2	(1) ACTIVE (1) PASSIVE
514	2	(2) ACTIVE

ITEM	QTY	DESCRIPTION	PART NO.	
			115VAC	230VAC
CCS	1	CONDENSATE CARRY-OVER SENSOR, KYNAR PANEL MOUNT	6020-0005	6020-0005
P1	1	SAMPLE PUMP - MICRO DIA-VAC, ALUM/TFE SINGLE HEAD	4958-0118	4958-1067
P2	1	PREISTALTIC DRAIN PUMP - SINGLE HEAD (MODEL 512 ONLY)	4958-0027	4958-0056
P2	1	PREISTALTIC DRAIN PUMP - DUAL HEAD (MODELS 513 & 514 ONLY)	4958-0057	4958-0058
FM1	1	FLOW METER W/ NEEDLE VALVE 0-5 L/MIN	4965-0008	4965-0008
CHILLER	1	UNIVERSAL ANALYZERS MODEL 512, 513, 514	REFERENCE CONFIGURATION	



		M	06/22/16	Update Standard 500 Series Drawings	MW	EM
<b>MODEL 512, 513 &amp; 514 P&amp;ID</b>		DATE		DESCRIPTION		DWN
PART NO. FOR SEE TABLE		SCALE NTS		REVISIONS		
SAMPLE COOLER, PORTABLE		DATE	SCALE	SIZE	SHEET	
		04/01/2003	NTS	D	3 OF 4	
		DRAWN BY R.Harder	ECO#	DRAWING NO.		
		APVD BY T. Barben	2833	P0703		



**CONDUIT AND WIRING NOTES**

- ELECTRICAL AREA CLASSIFICATION: INSIDE - GENERAL PURPOSE SYSTEM IS CONFIGURED AT THE FACTORY FOR REQUIRED VOLTAGE. CONTACT FACTORY FOR VOLTAGE CHANGE REQUIREMENTS
- AC WIRING SHALL BE INDIVIDUAL CONDUCTORS OF STRANDED TINNED COPPER WITH 300V, TYPE TFE INSULATION. MINIMUM WIRE SIZE SHALL BE 18 AWG  
 COLOR CODE SHALL BE AS FOLLOWS:
 

	115VAC	230VAC
HOT	-BLACK	L1 - BROWN
NEUTRAL	- WHITE	L2 - BLUE
GROUND	- GREEN	END - GREEN
- DC CONTROL WIRING SHALL BE INDIVIDUAL CONDUCTORS OF STRANDED TINNED COPPER WITH 300V, TYPE TFE INSULATION. MINIMUM WIRE SIZE SHALL BE 18 AWG.  
 COLOR CODE SHALL BE AS FOLLOWS:
 

	115VAC	230VAC
+	RED	+ RED
-	BLUE	- BLACK
- DC SIGNAL WIRING SHALL BE INDIVIDUAL CONDUCTORS OF STRANDED TINNED COPPER WITH 300V, TYPE TFE INSULATION. MINIMUM WIRE SIZE SHALL BE 18 AWG.  
 COLOR CODE SHALL BE AS FOLLOWS:
 

COMMON	- YELLOW
SWITCH	- YELLOW

△ DISPLAY SIGNAL WIRING NOT TO BE RUN NEAR A/C WIRING

		M	06/22/16	Update Standard 500 Series Drawings	MW	EM
REV	DATE	DESCRIPTION			DWN	
<b>MODEL 512, 513 &amp; 514</b> <b>WIRING SCHEMATIC</b>		DATE	SCALE	NTS	SIZE	SHEET
PART NO.	FOR	04/01/2003			D	4 OF 4
SEE TABLE	SAMPLE COOLER, PORTABLE	DRAWN BY	R.Harder	ECO#	2833	DRAWING NO. P0703
		APVD BY	T. Barben			