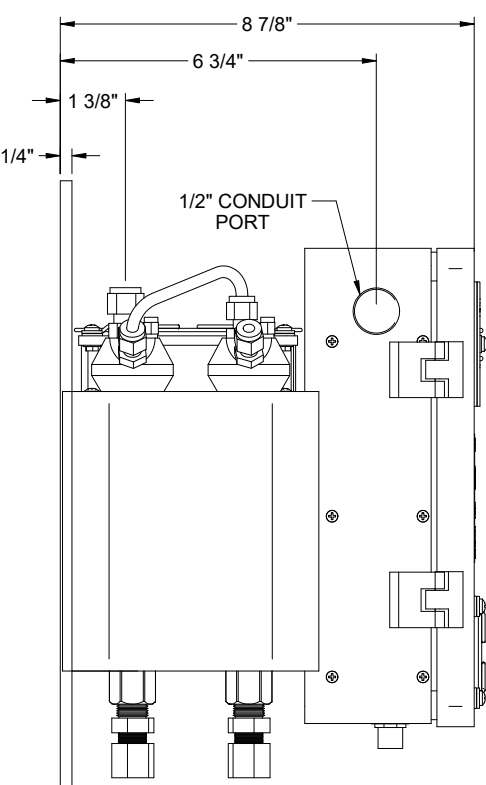


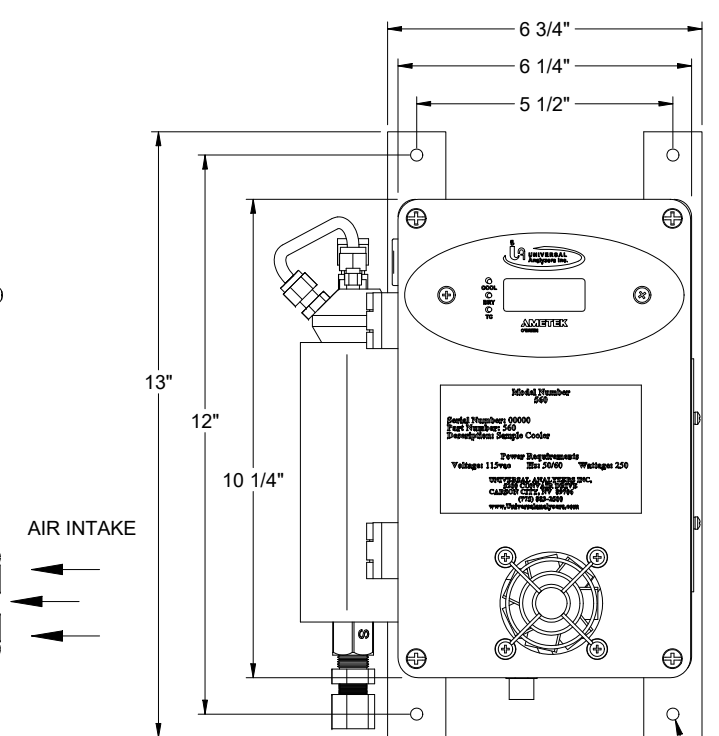
NOTES:

- 1). SEE SHEET 3 FOR WIRING SCHEMATIC

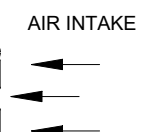
		G	06/22/16	Update Standard 500 Series Drawings	MW	EM
REV	DATE	DESCRIPTION			DWN APVD	
		REVISIONS				
MODEL 560 SAMPLE COOLER LAYOUT & DIMENSIONS		DATE	SCALE	SIZE	SHEET	
		11/05/2002	NTS	D	1 OF 3	
PART NO.	FOR	DRAWN BY	ECOC#	ECOC#	DRAWING NO.	
560	-	E. Musselman	2833	2833	P0654	
		APVD BY				
		T. Barben				



LEFT SIDE VIEW

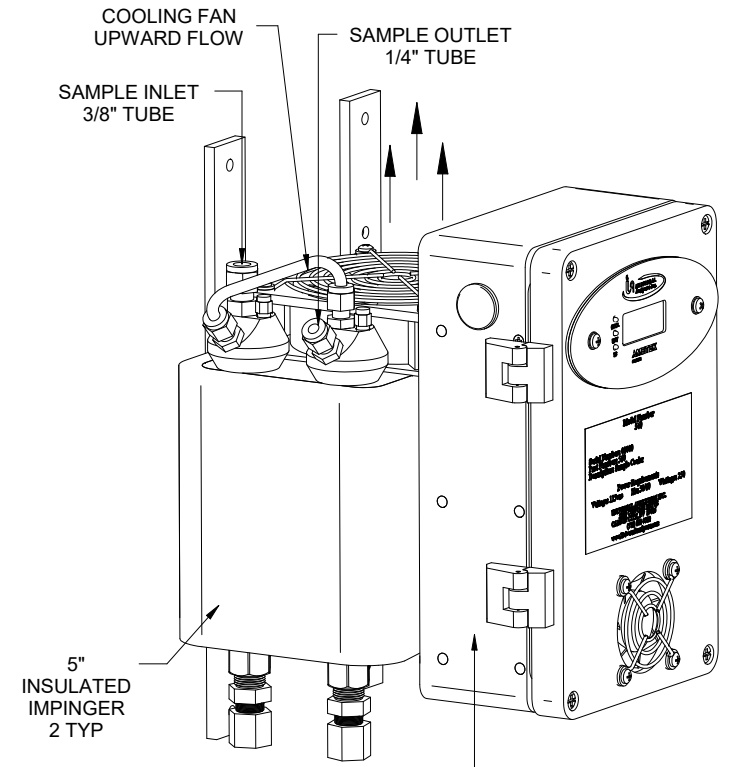


FRONT VIEW



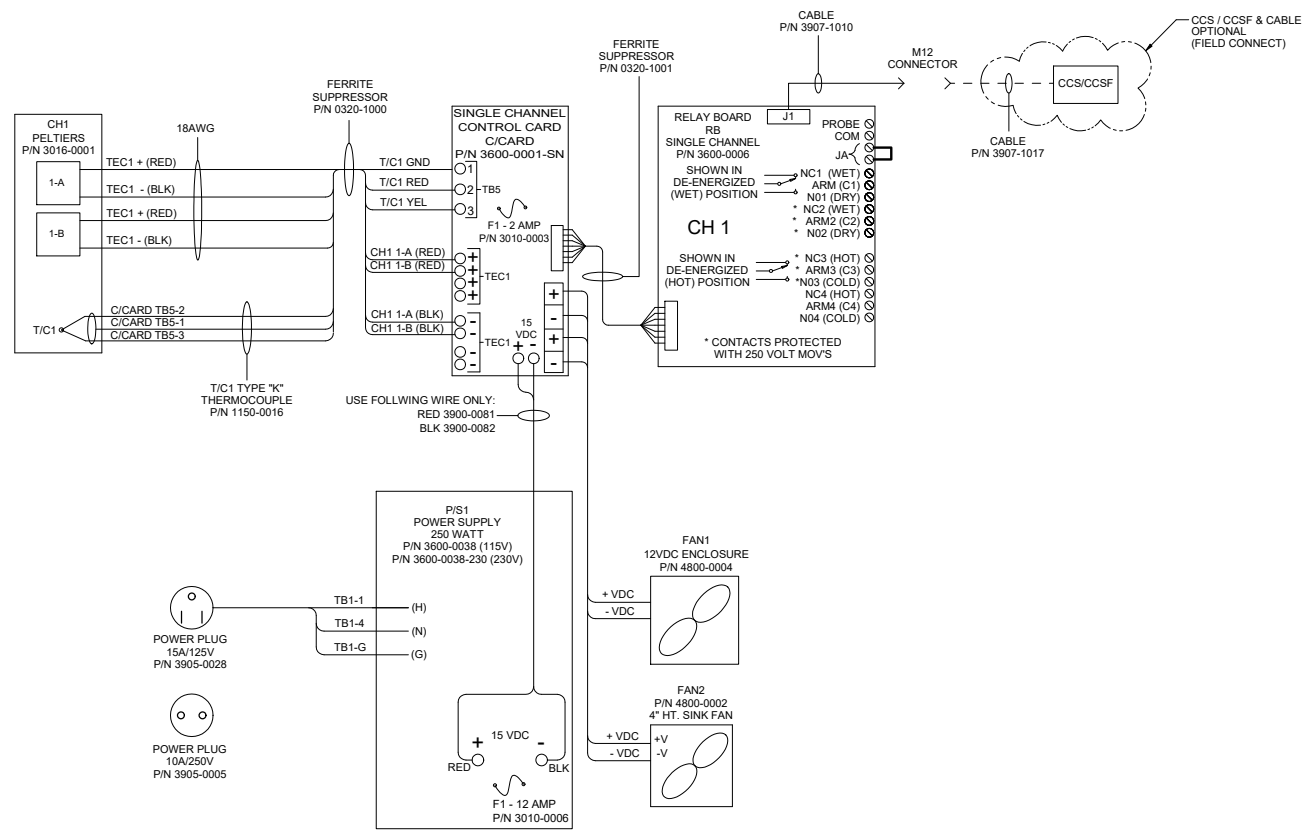
CONDENSATE DRAIN
3/8" NPT
2 TYP

MOUNTING HOLES
FOR 1/4" HARDWARE
(SUPPLIED BY OTHERS)
4 TYP



ISOMETRIC VIEW

		G	06/22/16	Update Standard 500 Series Drawings	MW	EM
MODEL 560L SAMPLE COOLER LAYOUT & DIMENSIONS		REV	DATE	DESCRIPTION	DWN APVD	
		REVISIONS				
DATE	SCALE	SIZE	SHEET			
11/05/2002	NTS	D	2 OF 3			
DRAWN BY	FOR	EC0#	DRAWING NO.			
E. Musselman	-	2833	P0654			
APVD BY						
T. Barben						



CONDUIT AND WIRING NOTES

1. ELECTRICAL CLASSIFICATION : INSIDE - GENERAL PURPOSE SYSTEM IS CONFIGURED AT THE FACTORY FOR REQUIRED VOLTAGE. CONTACT FACTORY FOR VOLTAGE CHANGE REQUIREMENTS.

2. AC WIRING SHALL BE INDIVIDUAL CONDUCTORS OF STRANDED TINNED COPPER WITH 300V, TYPE TFE INSULATION. MINIMUM WIRE SIZE SHALL BE 18 AWG UNLESS OTHERWISE SPECIFIED. COLOR CODE SHALL BE AS FOLLOWS:

115V - HOT	- BLACK	230V - HOT	- BROWN
	NEUTRAL - WHITE		NEUTRAL - BLUE
	GROUND - GREEN		GROUND - GREEN/YELLOW

3. DC WIRING SHALL BE INDIVIDUAL CONDUCTORS OF STRANDED TINNED COPPER WITH 300V, TYPE TFE INSULATION. MINIMUM WIRE SIZE SHALL BE 22 AWG UNLESS OTHERWISE SPECIFIED. COLOR CODE SHALL BE AS FOLLOWS, UNLESS OTHERWISE SPECIFIED:

115V +V	RED	230V +V	RED
	-V		BLACK

RELAY BOARD NOTES

4. USER CONNECTIONS TO MOISTURE SENSOR RELAY ENERGIZED WHEN SENSOR IS DRY (DRY LED ON). RATING: 1/10HP 120VAC 5A 240VAC/32VDC RESISTIVE.

5. USER CONNECTIONS TO 'AT TEMPERATURE' RELAY ENERGIZED WHEN BELOW SET TEMPERATURE (COOL LED ON). RATING: 1/10HP 120VAC 5A 240VAC/32VDC RESISTIVE.

FIELD TO WIRE

		G	06/22/16	Update Standard 500 Series Drawings	MW	EM	
MODEL 560/560L SAMPLE COOLER WIRING SCHEMATIC		REV	DATE	DESCRIPTION	REVISIONS		
PART NO. 560 / 560L		DATE	11/05/2002	SCALE	NTS	SIZE	D
DRAWN BY E. Musselman		APVD BY	T. Barben	EC0#	2833	SHEET	3 OF 3
FOR -				DRAWING NO. P0654			