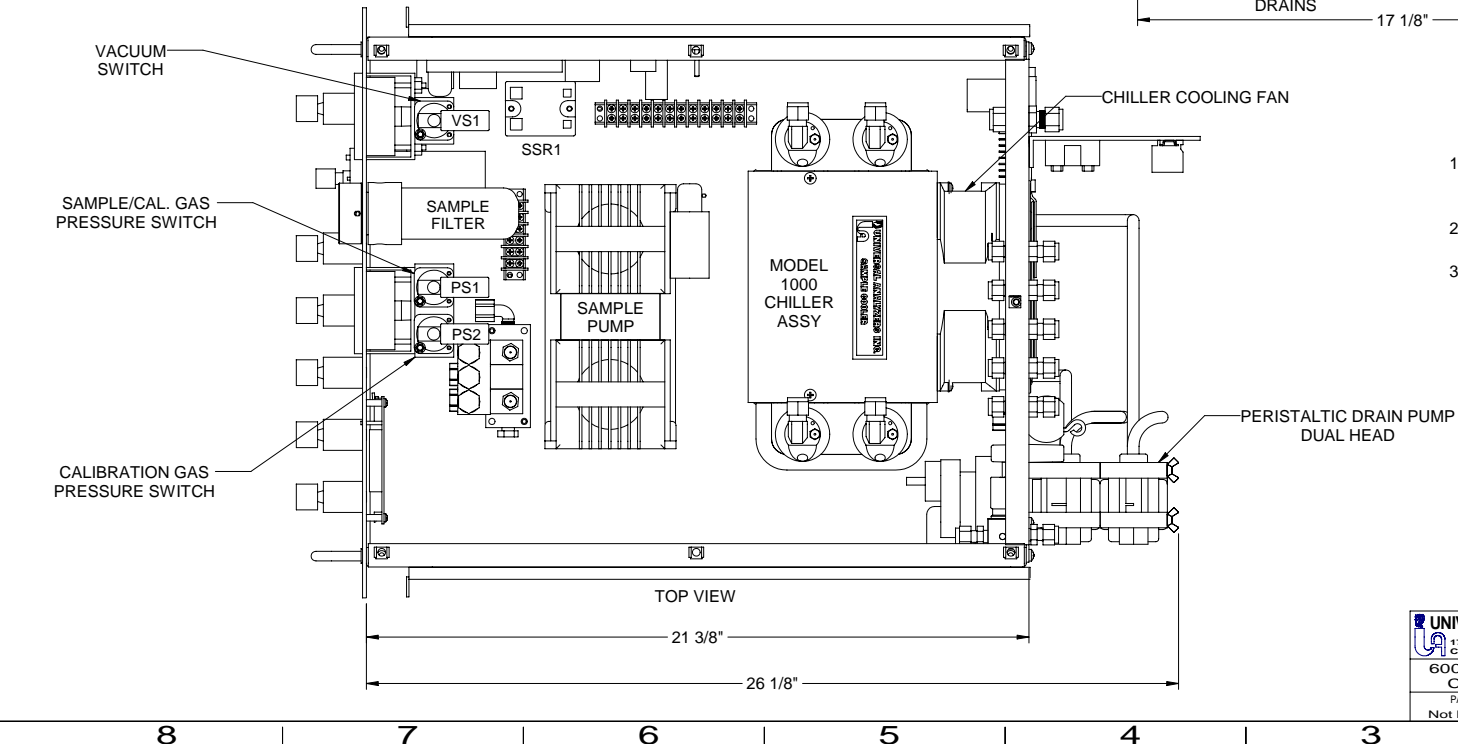
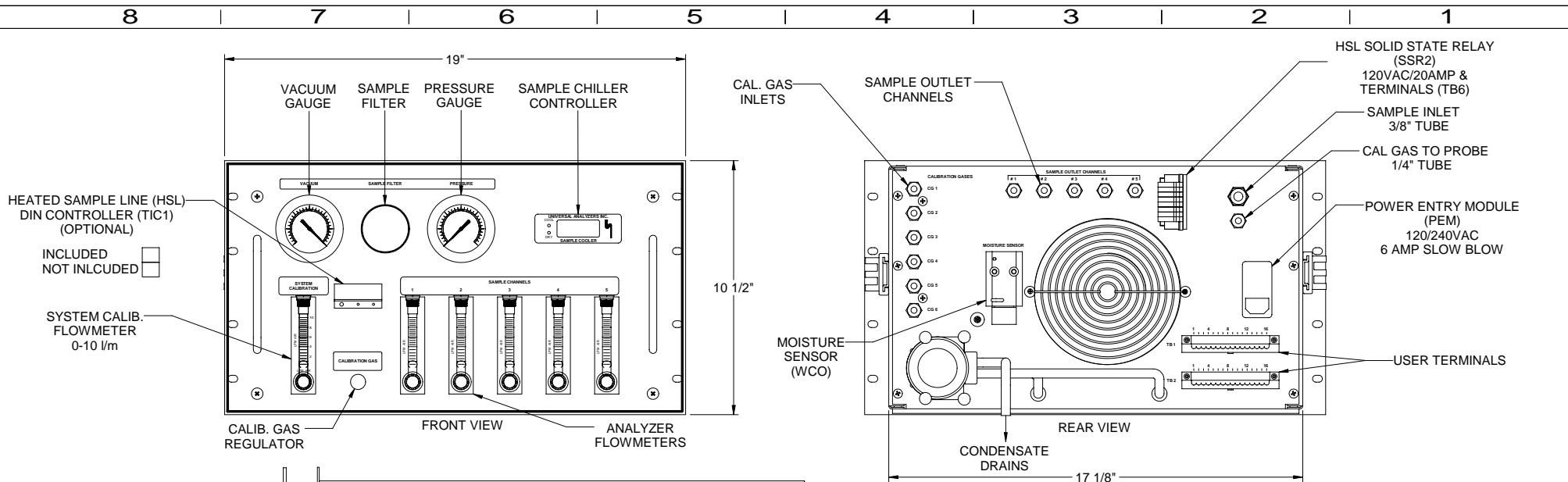


- 1). ARRANGEMENT MAY VARY ACCORDING TO GOOD ENGINEERING PRACTICES.
- 2). SEE SHEET 3 FOR P & ID.
- 3). SEE SHEETS 5 THRU 9 FOR WIRING SCHEMATICS.

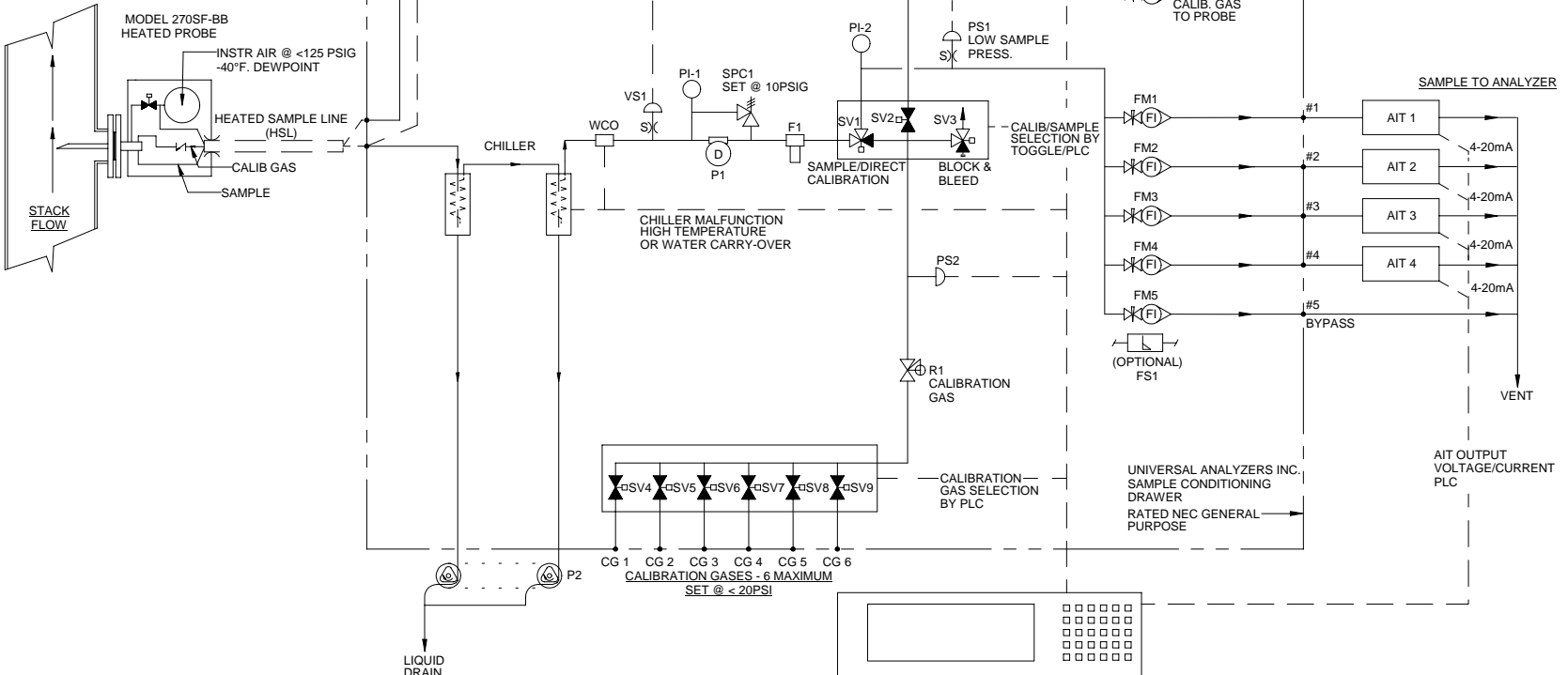
<b>UNIVERSAL ANALYZERS INC.</b>		L 08/04/06	REVISE CAL GAS VALVE	EM	TM
1701 South SutrroTerrace Carson City, Nevada 89706 USA		REV	DATE	DESCRIPTION	DWN/APVD
REVISIONS					
6000 SERIES w/ MODEL 500 CHILLER LAYOUT & DIMS		DATE	SCALE	SIZE	SHEET
PART NO. Not Issued		04/25/2000	1:2	1:2	1 OF 9
FOR Sample Conditioning Drw.		DRAWN BY E. Musselman	DRAWING NO. P0396		
		APVD BY R. Darial			



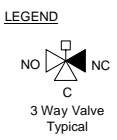
- 1). ARRANGEMENT MAY VARY ACCORDING TO GOOD ENGINEERING PRACTICES.
- 2). SEE SHEET 4 FOR P & ID.
- 3). SEE SHEETS 5 THRU 9 FOR WIRING SCHEMATICS.

<b>UNIVERSAL ANALYZERS INC.</b>		L 08/04/06	REVISE CAL GAS VALVE	EM	TM
1701 South Sutrö Terrace Carson City, Nevada 89706 USA		REV	DATE	DESCRIPTION	DWN
<b>6000 SERIES w/ MODEL 1000 CHILLER LAYOUT &amp; DIMS</b>		REVISIONS			
DATE	SCALE	SIZE	SHEET	2 OF 9	
04/25/2000	1:2	D			
PART NO.	FOR	DRAWN BY	DRAWING NO.		
Not Issued	Sample Conditioning Drw.	E. Musselman R. Darial	P0396		

8 7 6 5 4 3 2 1



Item	Qty	Description	UAI Part No.
VS1	1	Vacuum Switch - Air-Logic 0-29"hg	3103-0017
WCO	1	Water Carry Over Sensor - Kynar Body/Teflon 2-Mic Filter	6020-0005
PI-1	1	Gauge - Vacuum 0-30"Hg Liquid Filled S.S.	3019-0009
SPC1	1	Sample Pressure Controller - Swagelok SS-RL334	4955-0091
P1	1	Sample Pump 120VAC Single Head Teflon	4958-0025
P1	1	Sample Pump 230VAC Single Head Teflon	4958-0015
PS1 & 2	2	Pressure Switch Air-Logic F-5100-15 15psig	3103-0018
SV1 & 3	2	Solenoid Valve-Burkert 6012SER 24VDC 3 Way	4955-0041
SV1 & 3	2	Solenoid Valve-Burkert 6012SER 115VAC 3 Way	4955-0042
SV2	1	Solenoid Valve-Burkert 6011SER 24VDC 2 Way	4955-0040
SV2	1	Solenoid Valve-Burkert 6011SER 115VAC 2 Way	4955-0039
SV4-9	6	Solenoid Valve-ASCO 24VDC 2 Way	4955-0247
SV4-9	6	Solenoid Valve-ASCO 115VAC 2 Way	4955-0248
P2	1	Peristaltic Drain Pump - 120VAC Dual Head	4958-0012
P2	1	Peristaltic Drain Pump - 230VAC Dual Head	4958-0035
PI-2	1	Gauge - Pressure 0-15psig Liquid Filled S.S.	3019-0008
SVS CAL FM	1	Flowmeter w/ Needle Valve 0-10 l/m	4965-0007
FM1-FM5	5	Flowmeter w/ Needle Valve 0-2.5 l/m	4965-0018
FS1	1	Flow Switch - 120scm "NO" TFE Piston	3103-0020
CHILLER	1	Universal Analyzers Model 500	500
R1	2	Regulator - Porter Model #8268 0-30psig	8200-0008
SJ	2	Snubber - #6-32	0000-0000
F1	1	Filter - Kynar Panel Mount w/ Teflon Element	4980-0200

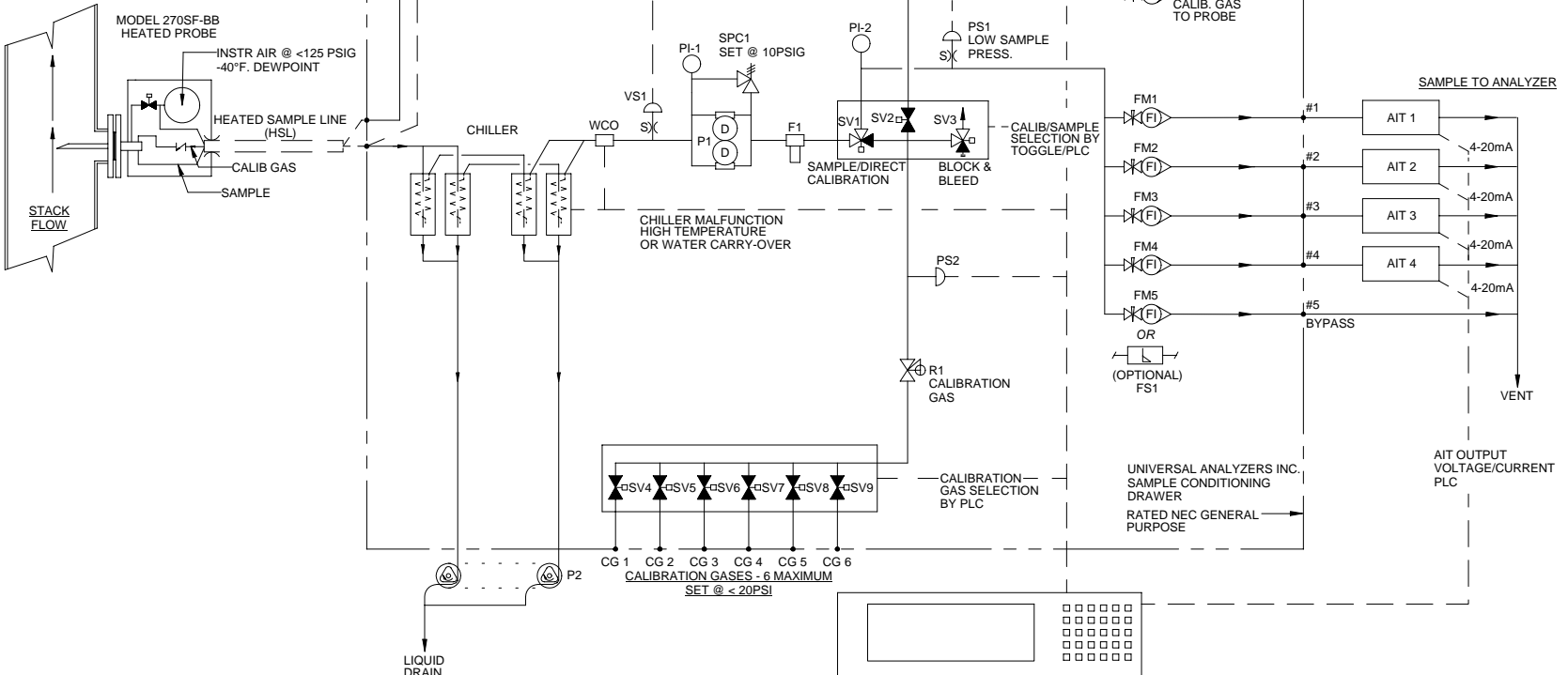


- PLC OR DATA LOGGER**
- 1) CALIBRATION/SAMPLE SELECT
  - 2) CALIBRATION GAS SELECT
  - 3) SYSTEM / DIRECT CALIBRATION SELECT - SYSTEM BIAS CALIBRATION
  - 4) PROBE BLOWBACK
  - 5) PROBE LOW TEMPERATURE ALARM
  - 6) CHILLER MALFUNCTION - HIGH TEMPERATURE OR WATER CARRY - OVER
  - 7) HIGH INLET VACUUM - PROBE FILTER INITIATE BLOWBACK OR MAINTENANCE
  - 8) SAMPLE / CALIBRATION GAS PRESSURE LOW - ALARM FOR MAINTENANCE

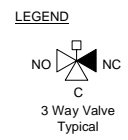
<b>UNIVERSAL ANALYZERS INC.</b>		L	08/04/06	REVISE CAL GAS VALVE	EM	TM
1701 South SutrroTerrace Carson City, Nevada 89706 USA		REV	DATE	DESCRIPTION	DWN	APVD
<b>6000 SERIES w/ MODEL 500 CHILLER P &amp; ID</b>		REVISIONS				
		DATE	SCALE	SIZE	SHEET	
		04/25/2000	NTS	D	3 OF 9	
PART NO.	FOR	DRAWN BY	E. Musselman	DRAWING NO.		
Not Issued	Sample Conditioning Draw.	APVD BY	R. Darial	<b>P0396</b>		

8 7 6 5 4 3 2 1

8 | 7 | 6 | 5 | 4 | 3 | 2 | 1



Item	Qty	Description	UAI Part No.
VS1	1	Vacuum Switch - Air-Logic 0-29"hg	3103-0017
WCO	1	Water Carry Over Sensor - Kynar Body/Teflon 2-Mic Filter	6020-0005
PI-1	1	Gauge - Vacuum 0-30"Hg Liquid Filled S.S.	3019-0009
SPC1	1	Sample Pressure Controller - Swagelok SS-RL334	4955-0091
P1	1	Sample Pump 120VAC Single Head Teflon	4958-0025
P1	1	Sample Pump 230VAC Single Head Teflon	4958-0015
PS1 & 2	2	Pressure Switch Air-Logic F-5100-15 15psig	3103-0018
SV1 & 3	2	Solenoid Valve-Burkert 6012SER 24VDC 3 Way	4955-0041
SV1 & 3	2	Solenoid Valve-Burkert 6012SER 115VAC 3 Way	4955-0042
SV2	1	Solenoid Valve-Burkert 6011SER 24VDC 2 Way	4955-0040
SV2	1	Solenoid Valve-Burkert 6011SER 115VAC 2 Way	4955-0039
SV4-9	6	Solenoid Valve-ASCO 24VDC 2 Way	4955-0247
SV4-9	6	Solenoid Valve-ASCO 115VAC 2 Way	4955-0248
P2	1	Peristaltic Drain Pump - 120VAC Dual Head	4958-0012
P2	1	Peristaltic Drain Pump - 230VAC Dual Head	4958-0035
PI-2	1	Gauge - Pressure 0-15psig Liquid Filled S.S.	3019-0008
SVS CAL FM	1	Flowmeter w/ Needle Valve 0-10 l/m	4965-0007
FM1-FM5	5	Flowmeter w/ Needle Valve 0-2.5 l/m	4965-0018
FS1	1	Flow Switch - 120scm "NO" TFE Piston	3103-0020
CHILLER	1	Universal Analyzers Model 1000	1000
R1	2	Regulator - Porter Model #8268 0-30psig	8200-0008
SJ	2	Snubber - #6-32	0000-0000
F1	1	Filter - Kynar Panel Mount w/ Teflon Element	4980-0200



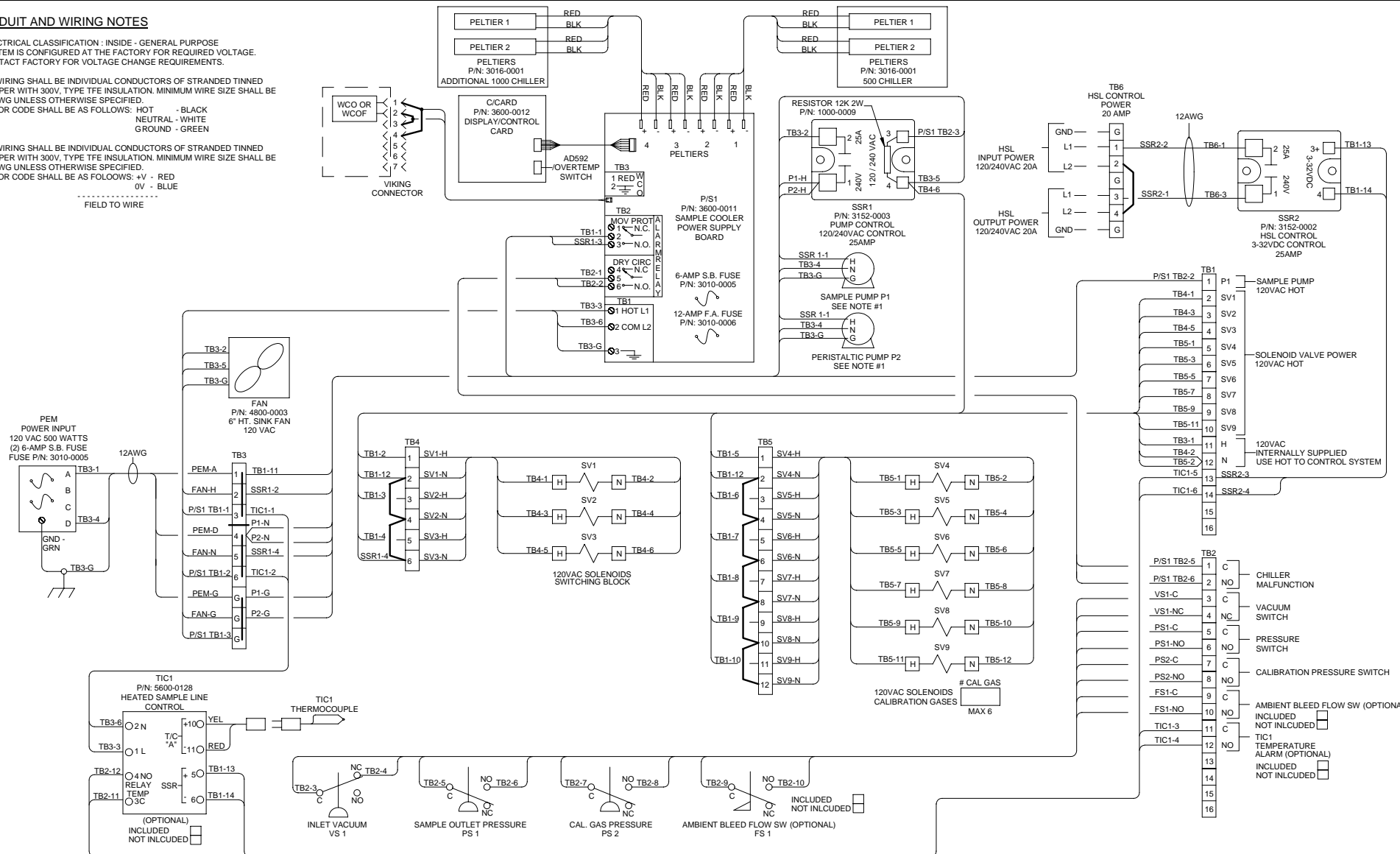
- PLC OR DATA LOGGER**
- 1) CALIBRATION/SAMPLE SELECT
  - 2) CALIBRATION GAS SELECT
  - 3) SYSTEM / DIRECT CALIBRATION SELECT - SYSTEM BIAS CALIBRATION
  - 4) PROBE BLOWBACK
  - 5) PROBE LOW TEMPERATURE ALARM
  - 6) CHILLER MALFUNCTION - HIGH TEMPERATURE OR WATER CARRY - OVER
  - 7) HIGH INLET VACUUM - PROBE FILTER INITIATE BLOWBACK OR MAINTENANCE
  - 8) SAMPLE / CALIBRATION GAS PRESSURE LOW - ALARM FOR MAINTENANCE

<b>UNIVERSAL ANALYZERS INC.</b>		L	08/04/06	REVISE CAL GAS VALVE	EM	TM
1701 South Sutrö Terrace Carson City, Nevada 89706 USA		REV	DATE	DESCRIPTION	DWN	APVD
<b>6000 SERIES w/ MODEL 1000 CHILLER P &amp; ID</b>		REVISIONS				
PART NO. FOR		DATE	SCALE	SIZE	SHEET	
Not Issued		04/25/2000	NTS	D	4 OF 9	
DRAWN BY E. Musselman		DRAWING NO.		P0396		
APVD BY R. Darial						

8 | 7 | 6 | 5 | 4 | 3 | 2 | 1

**CONDUIT AND WIRING NOTES**

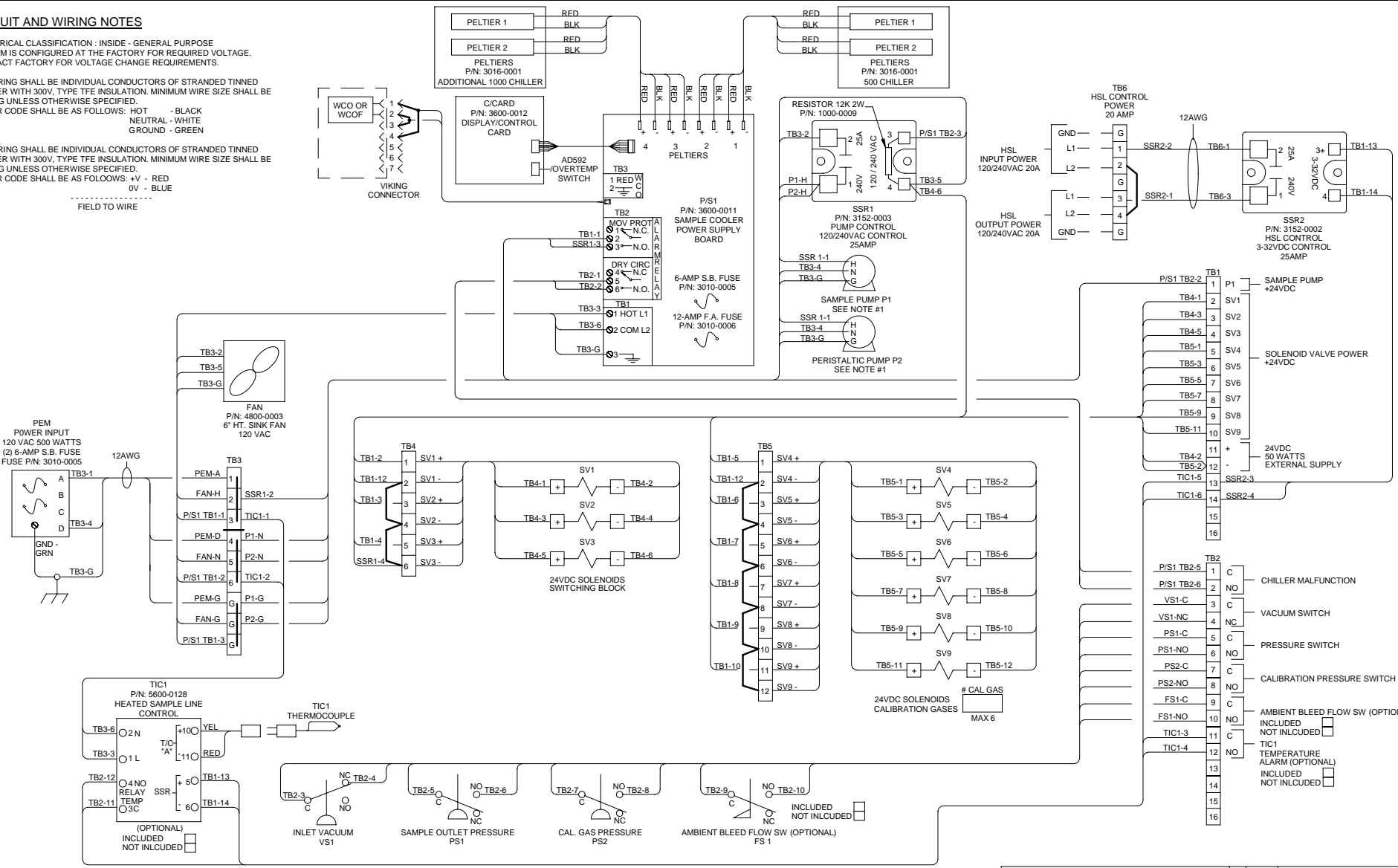
- ELECTRICAL CLASSIFICATION : INSIDE - GENERAL PURPOSE SYSTEM IS CONFIGURED AT THE FACTORY FOR REQUIRED VOLTAGE. CONTACT FACTORY FOR VOLTAGE CHANGE REQUIREMENTS.
- AC WIRING SHALL BE INDIVIDUAL CONDUCTORS OF STRANDED TINNED COPPER WITH 300V, TYPE TFE INSULATION. MINIMUM WIRE SIZE SHALL BE 18 AWG UNLESS OTHERWISE SPECIFIED. COLOR CODE SHALL BE AS FOLLOWS: HOT - BLACK NEUTRAL - WHITE GROUND - GREEN
- DC WIRING SHALL BE INDIVIDUAL CONDUCTORS OF STRANDED TINNED COPPER WITH 300V, TYPE TFE INSULATION. MINIMUM WIRE SIZE SHALL BE 22 AWG UNLESS OTHERWISE SPECIFIED. COLOR CODE SHALL BE AS FOLLOWS: +V - RED -OV - BLUE -FIELD TO WIRE



<b>UNIVERSAL ANALYZERS INC.</b>		L	08/04/06	REVISE CAL GAS VALVE	EM	TM
1701 South Sutrö Terrace Carson City, Nevada 89706 USA		REV	DATE	DESCRIPTION	DWN	APVD
<b>6000 SERIES 120VAC WIRING SCHEMATIC</b>						
PART NO.		FOR		DRAWING NO.		SHEET
Not Issued		Sample Conditioning Dwr.		P0396		5 OF 9
DATE		SCALE		SIZE		
04/25/2000		NTS		D		
DRAWN BY		APVD BY		E. Muselman		
				R. Daniel		

**CONDUIT AND WIRING NOTES**

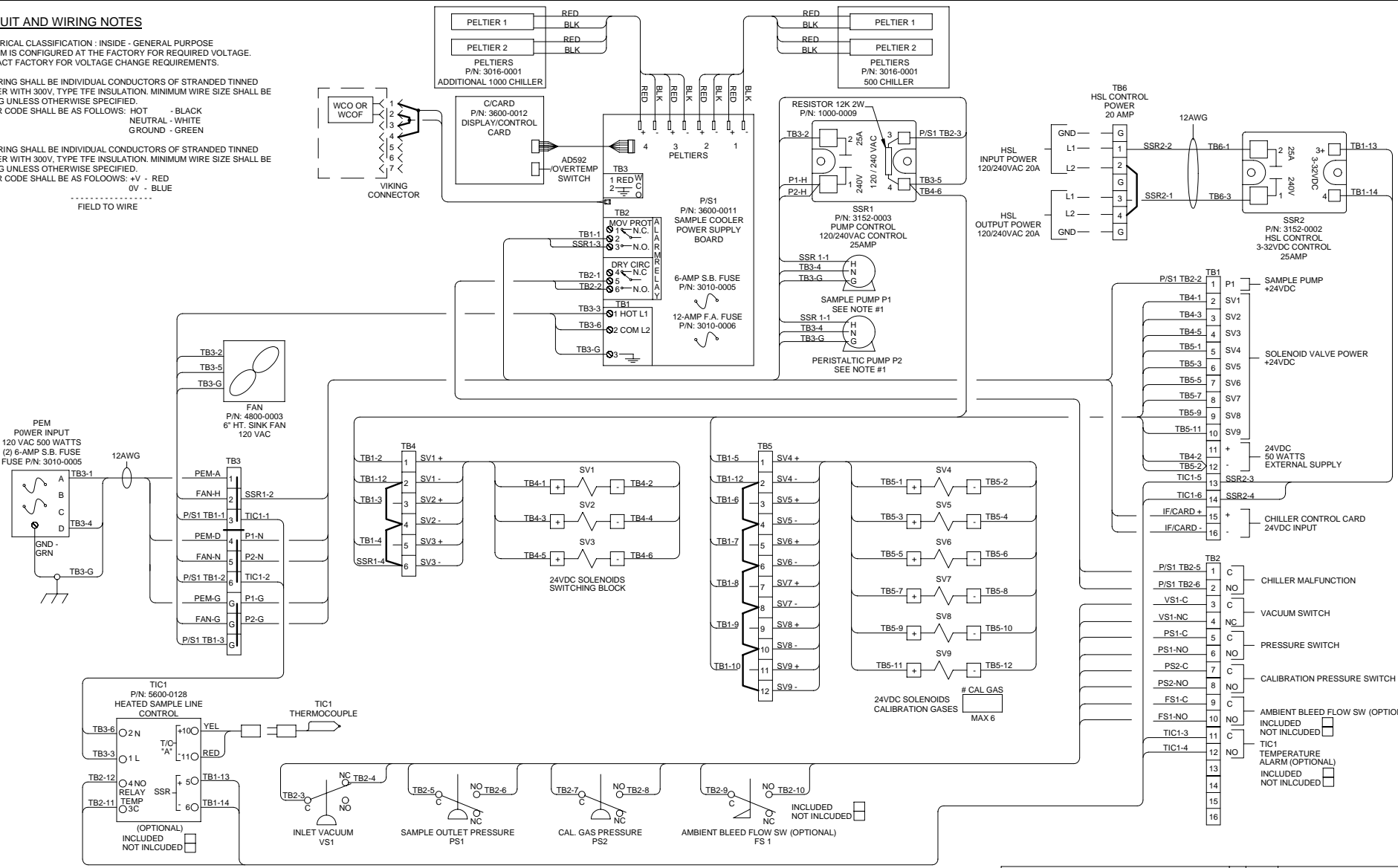
1. ELECTRICAL CLASSIFICATION : INSIDE - GENERAL PURPOSE SYSTEM IS CONFIGURED AT THE FACTORY FOR REQUIRED VOLTAGE. CONTACT FACTORY FOR VOLTAGE CHANGE REQUIREMENTS.
2. AC WIRING SHALL BE INDIVIDUAL CONDUCTORS OF STRANDED TINNED COPPER WITH 300V, TYPE TFE INSULATION. MINIMUM WIRE SIZE SHALL BE 18 AWG UNLESS OTHERWISE SPECIFIED. COLOR CODE SHALL BE AS FOLLOWS: HOT - BLACK  
NEUTRAL - WHITE  
GROUND - GREEN
3. DC WIRING SHALL BE INDIVIDUAL CONDUCTORS OF STRANDED TINNED COPPER WITH 300V, TYPE TFE INSULATION. MINIMUM WIRE SIZE SHALL BE 22 AWG UNLESS OTHERWISE SPECIFIED. COLOR CODE SHALL BE AS FOLLOWS: +V - RED  
0V - BLUE  
FIELD TO WIRE



<b>UNIVERSAL ANALYZERS INC.</b>		L	08/04/06	REVISE CAL GAS VALVE	EM	TM
1701 South Sutrø Terrace Carson City, Nevada 89706 USA		REV	DATE	DESCRIPTION	DWN	APVD
<b>6000 SERIES 24VDC WIRING SCHEMATIC</b>						
PART NO.		FOR		SCALE		SIZE
Not Issued		Sample Conditioning Drw.		NTS		D
DATE		DRAWN BY		APVD BY		SHEET
04/25/2000		E. Muselman		R. Daniel		6 OF 9
DRAWING NO.				P0396		

**CONDUIT AND WIRING NOTES**

1. ELECTRICAL CLASSIFICATION : INSIDE - GENERAL PURPOSE SYSTEM IS CONFIGURED AT THE FACTORY FOR REQUIRED VOLTAGE. CONTACT FACTORY FOR VOLTAGE CHANGE REQUIREMENTS.
2. AC WIRING SHALL BE INDIVIDUAL CONDUCTORS OF STRANDED TINNED COPPER WITH 300V, TYPE TFE INSULATION. MINIMUM WIRE SIZE SHALL BE 18 AWG UNLESS OTHERWISE SPECIFIED. COLOR CODE SHALL BE AS FOLLOWS: HOT - BLACK NEUTRAL - WHITE GROUND - GREEN
3. DC WIRING SHALL BE INDIVIDUAL CONDUCTORS OF STRANDED TINNED COPPER WITH 300V, TYPE TFE INSULATION. MINIMUM WIRE SIZE SHALL BE 22 AWG UNLESS OTHERWISE SPECIFIED. COLOR CODE SHALL BE AS FOLLOWS: +V - RED -OV - BLUE - FIELD TO WIRE

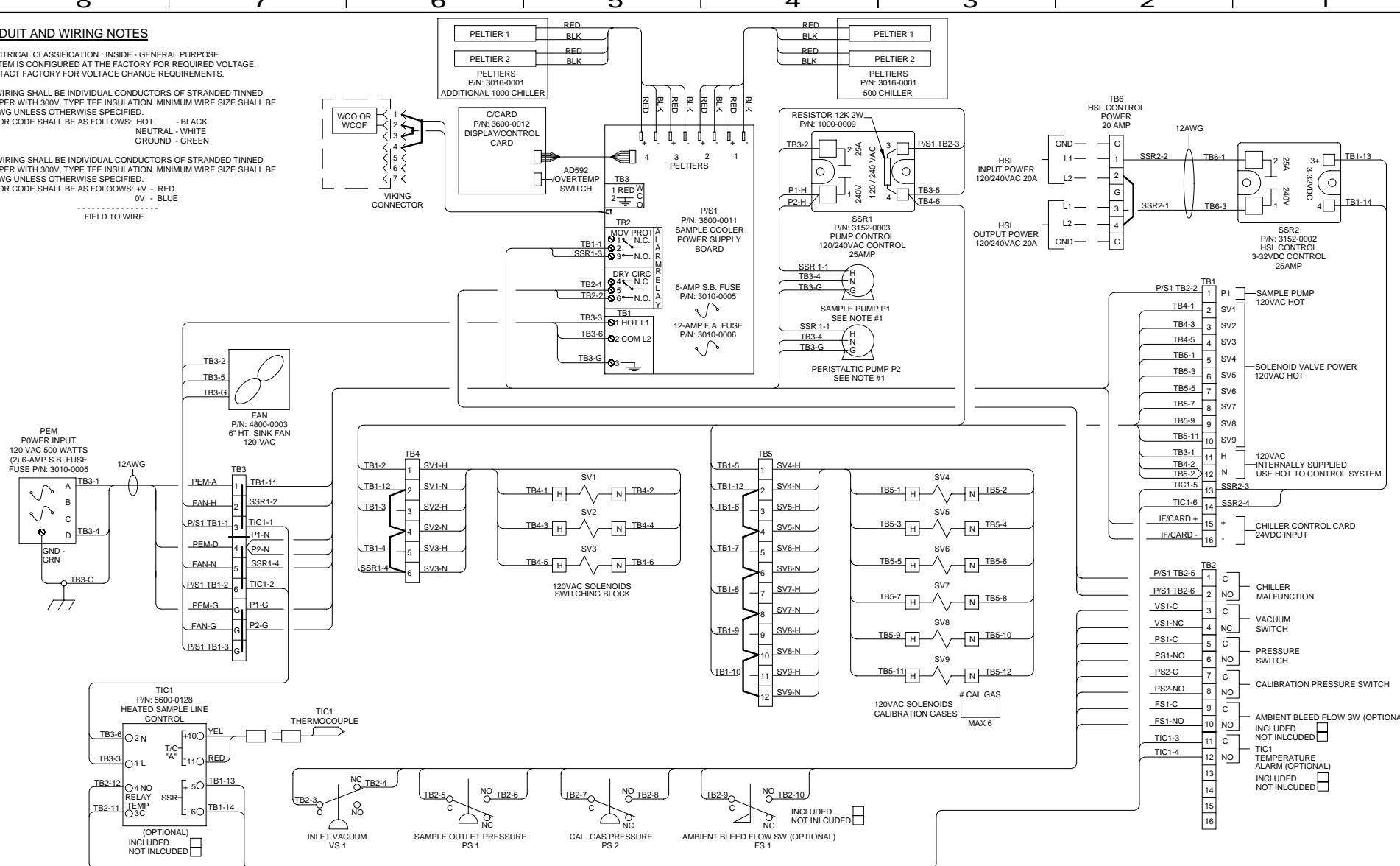


<b>UNIVERSAL ANALYZERS INC.</b>		L	08/04/06	REVISE CAL GAS VALVE	EM	TM
1701 South SutrroTerrace Carson City, Nevada 89706 USA		REV	DATE	DESCRIPTION	DWN	APVD
<b>6000 SERIES 24VDC/PLC WIRING SCHEMATIC</b>						
PART NO.		FOR		DATE	SCALE	SIZE
Not Issued		Sample Conditioning Drw.		04/25/2000	NTS	D
DRAWN BY		FOR		DATE	SCALE	SIZE
APVD BY		R. Daniel		04/25/2000	NTS	D
					DRAWING NO.	SHEET
					P0396	7 OF 9

**CONDUIT AND WIRING NOTES**

1. ELECTRICAL CLASSIFICATION : INSIDE - GENERAL PURPOSE SYSTEM IS CONFIGURED AT THE FACTORY FOR REQUIRED VOLTAGE. CONTACT FACTORY FOR VOLTAGE CHANGE REQUIREMENTS.
2. AC WIRING SHALL BE INDIVIDUAL CONDUCTORS OF STRANDED TINNED COPPER WITH 300V, TYPE TFE INSULATION. MINIMUM WIRE SIZE SHALL BE 18 AWG UNLESS OTHERWISE SPECIFIED. COLOR CODE SHALL BE AS FOLLOWS: HOT - BLACK NEUTRAL - WHITE GROUND - GREEN
3. DC WIRING SHALL BE INDIVIDUAL CONDUCTORS OF STRANDED TINNED COPPER WITH 300V, TYPE TFE INSULATION. MINIMUM WIRE SIZE SHALL BE 22 AWG UNLESS OTHERWISE SPECIFIED. COLOR CODE SHALL BE AS FOLLOWS: +V - RED - BLUE -0V - BLACK

FIELD TO WIRE

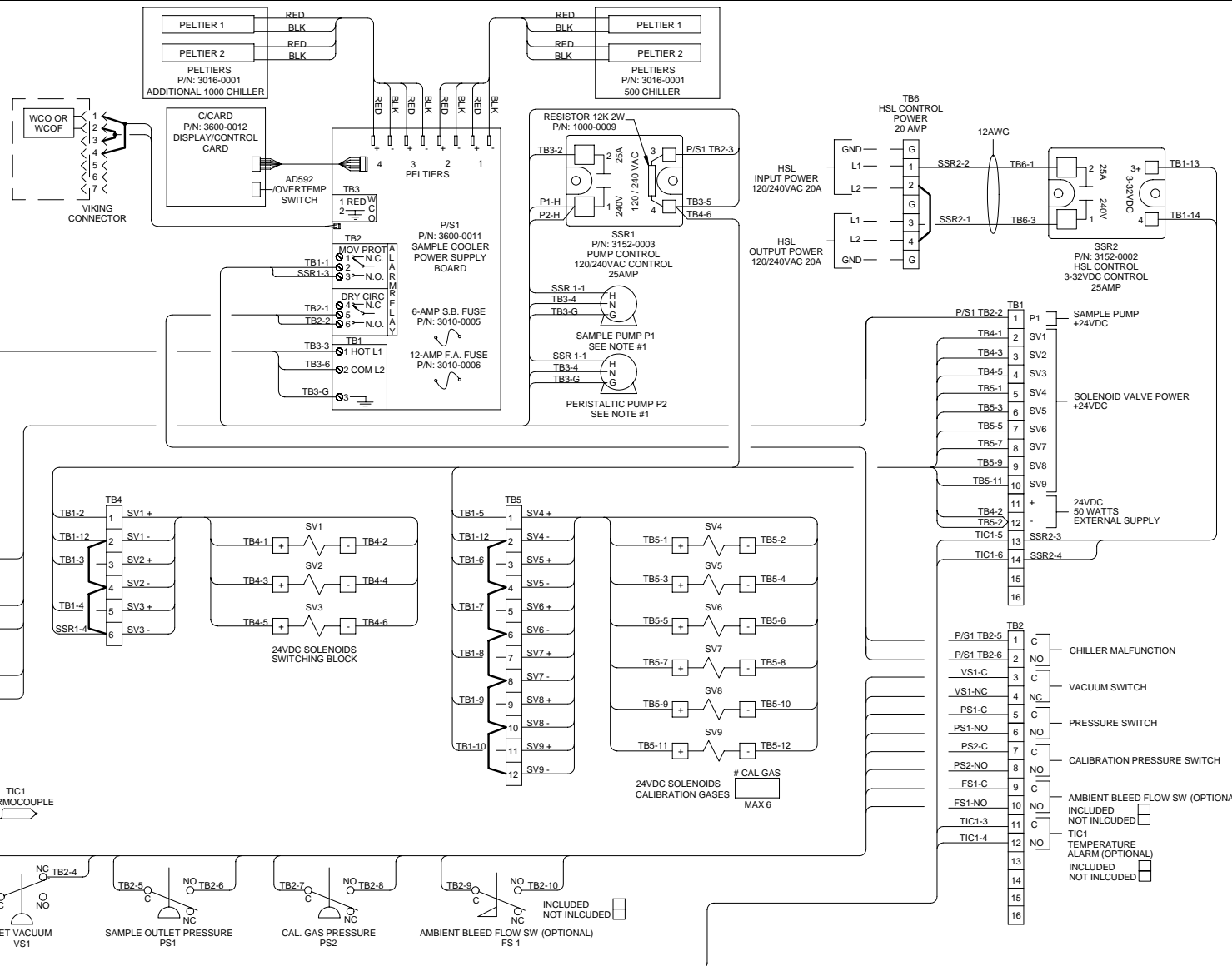


<b>UNIVERSAL ANALYZERS INC.</b>		L	08/04/06	REVISE CAL GAS VALVE	EM	TM
1701 South Sutrö Terrace Carson City, Nevada 89706 USA		REV	DATE	DESCRIPTION	DWN	APVD
<b>6000 SERIES 120VAC/PLC WIRING SCHEMATIC</b>						
PART NO.		SCALE		SIZE		SHEET
Not Issued		NTS		D		8 OF 9
DRAWN BY E. Musselman		DATE 04/25/2000		DRAWING NO.		
APVD BY R. Daniel				P0396		



**CONDUIT AND WIRING NOTES**

1. ELECTRICAL CLASSIFICATION : INSIDE - GENERAL PURPOSE SYSTEM IS CONFIGURED AT THE FACTORY FOR REQUIRED VOLTAGE. CONTACT FACTORY FOR VOLTAGE CHANGE REQUIREMENTS.
2. AC WIRING SHALL BE INDIVIDUAL CONDUCTORS OF STRANDED TINNED COPPER WITH 300V, TYPE TFE INSULATION. MINIMUM WIRE SIZE SHALL BE 18 AWG UNLESS OTHERWISE SPECIFIED. COLOR CODE SHALL BE AS FOLLOWS: HOT - BLACK NEUTRAL - WHITE GROUND - GREEN
3. DC WIRING SHALL BE INDIVIDUAL CONDUCTORS OF STRANDED TINNED COPPER WITH 300V, TYPE TFE INSULATION. MINIMUM WIRE SIZE SHALL BE 22 AWG UNLESS OTHERWISE SPECIFIED. COLOR CODE SHALL BE AS FOLLOWS: +V - RED -OV - BLUE -FIELD TO WIRE



<b>UNIVERSAL ANALYZERS INC.</b>		L	08/04/06	REVISE CAL GAS VALVE	EM	TM
1701 South SutrroTerrace Carson City, Nevada 89706 USA		REV	DATE	DESCRIPTION	DWN	APVD
<b>6000 SERIES 240VAC/24VDC SOLENOID WIRING SCHEMATIC</b>		REVISIONS				
DATE	SCALE	NTS	SIZE	D	SHEET	9 OF 9
04/25/2000						
PART NO.	FOR	DRAWN BY	E. Muselman	DRAWING NO.	P0396	
Not Issued	Sample Conditioning Drw.	APVD BY	R. Daniel			