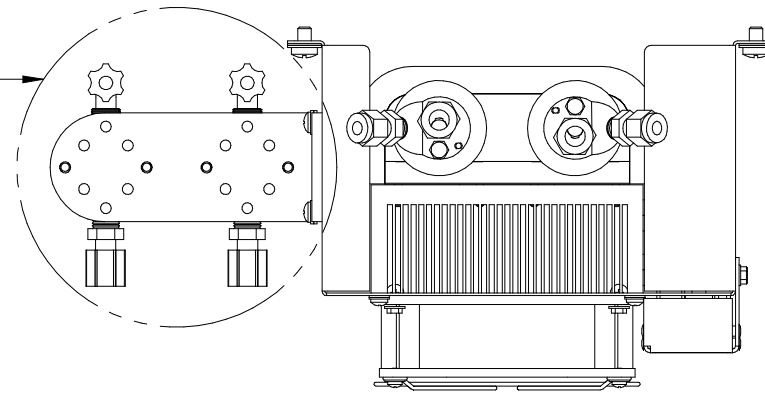
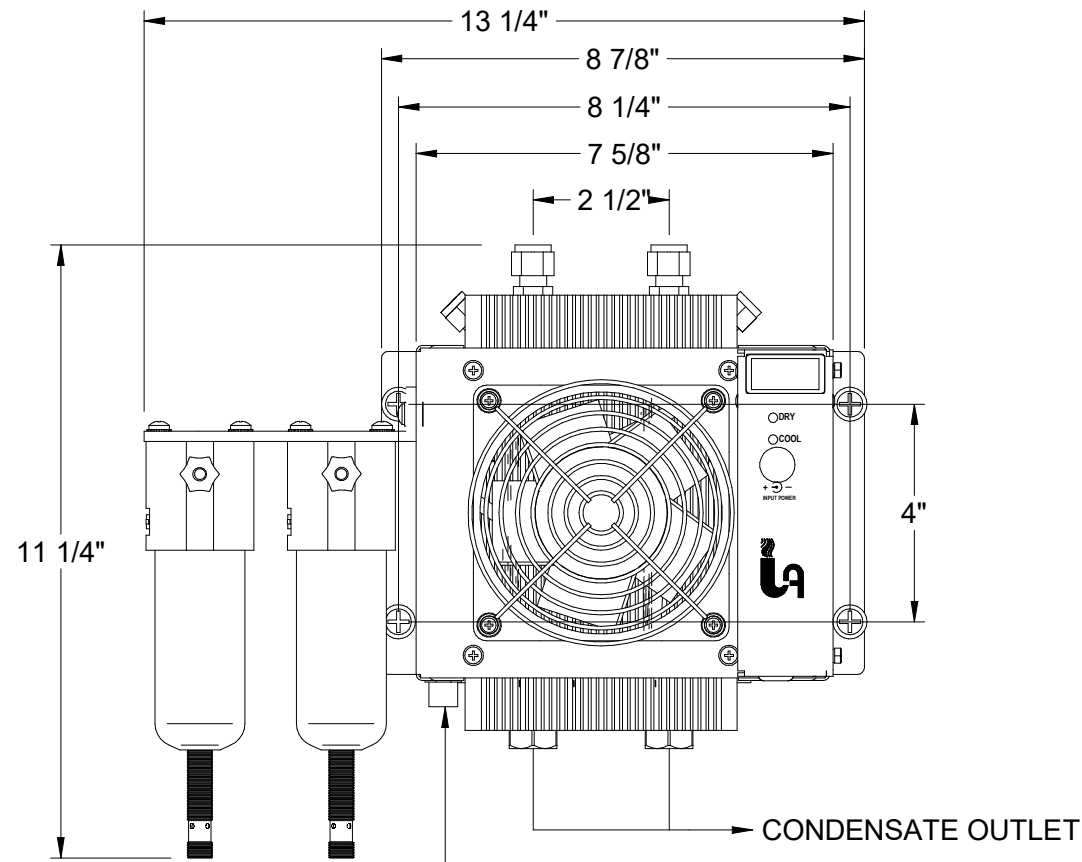


OPTIONAL CCSF

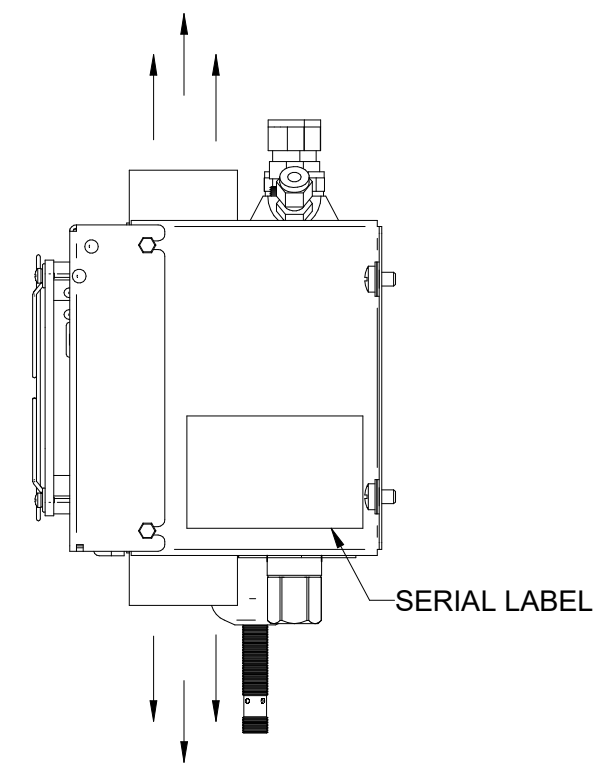


TOP VIEW

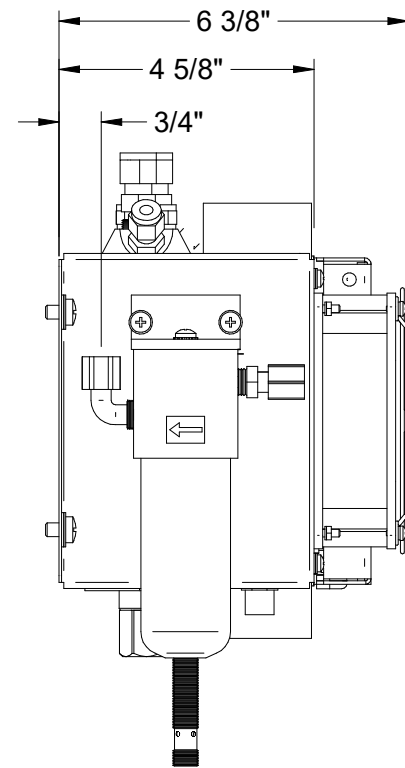


FRONT VIEW

EXHAUST  
AIR FLOW  
TYP



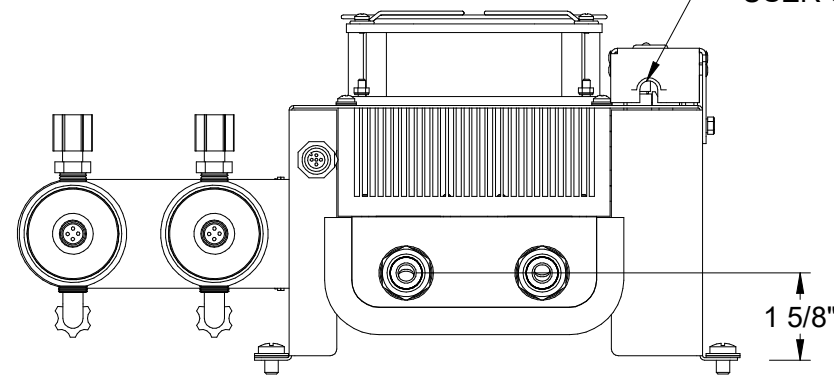
RIGHT SIDE VIEW





LEFT SIDE VIEW

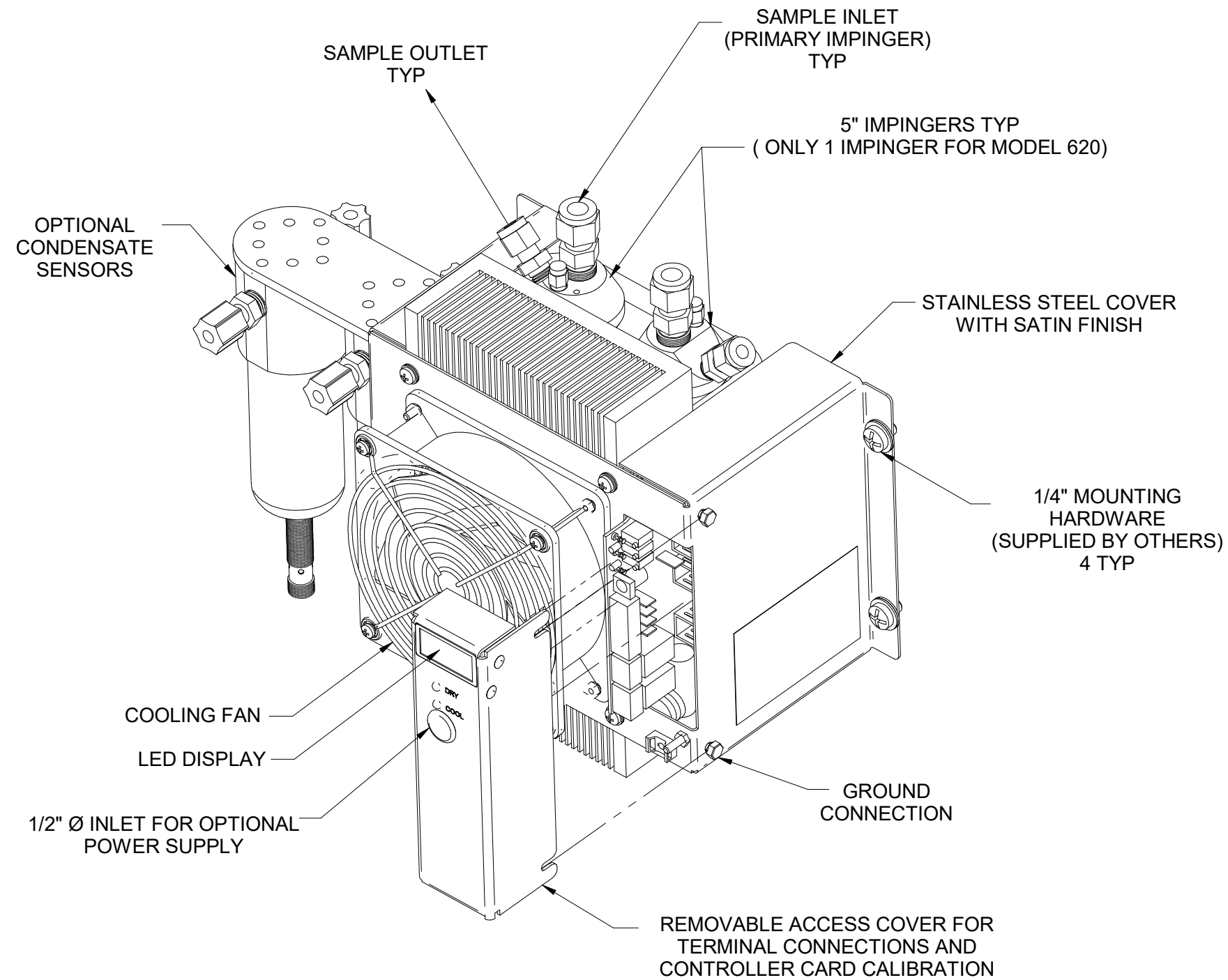
CONNECTOR FOR  
OPTIONAL CCS / CCSF  
SENSOR WIRING

ACCESS SLOT FOR  
USER CONNECTIONS



BOTTOM VIEW



5200 Convair Drive Carson City, NV 89706 PH(775)883-2500 FAX (775)883-6388		N	01/05/18	ADD SERIAL LABEL	CS	EM
 		REV	DATE	DESCRIPTION	DWN	APVD
REVISIONS						
MODELS 620, 630 & 640 SERIES LAYOUT & DIMENSIONS		DATE	SCALE	SIZE	SHEET	
		01/25/1999	NTS	D	1 OF 4	
PART NO.	FOR	DRAWN BY	E. Musselman	ECO#	DRAWING NO.	
-	600 SERIES	APVD BY	R. Daniel	2842	P0327	

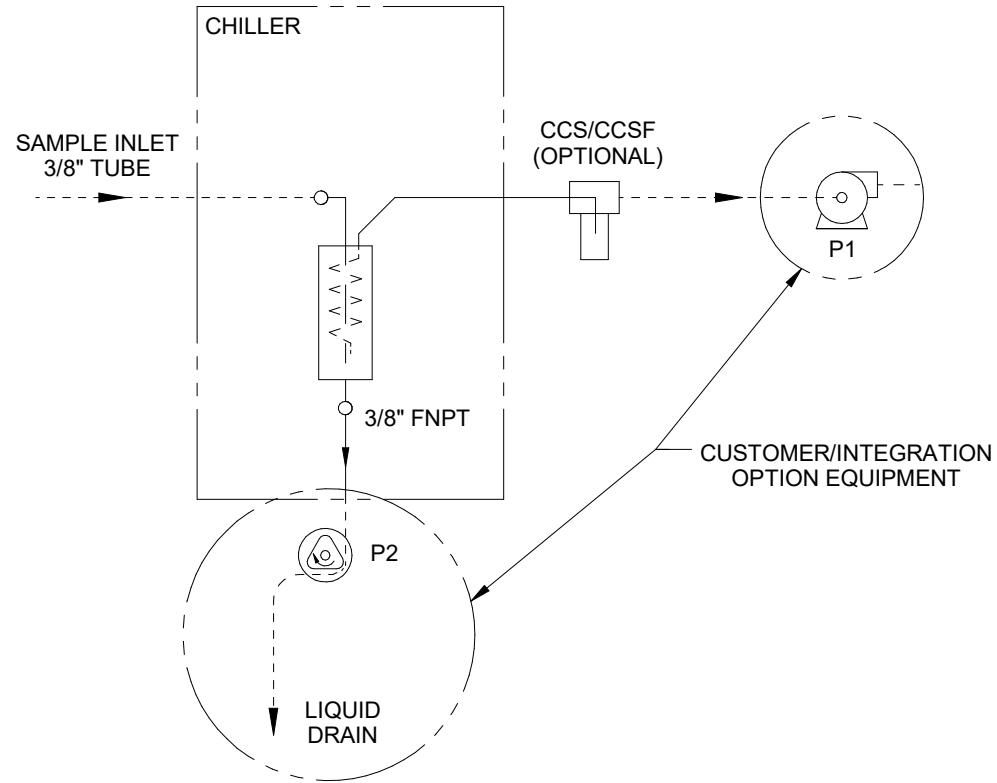


EXPLODED VIEW

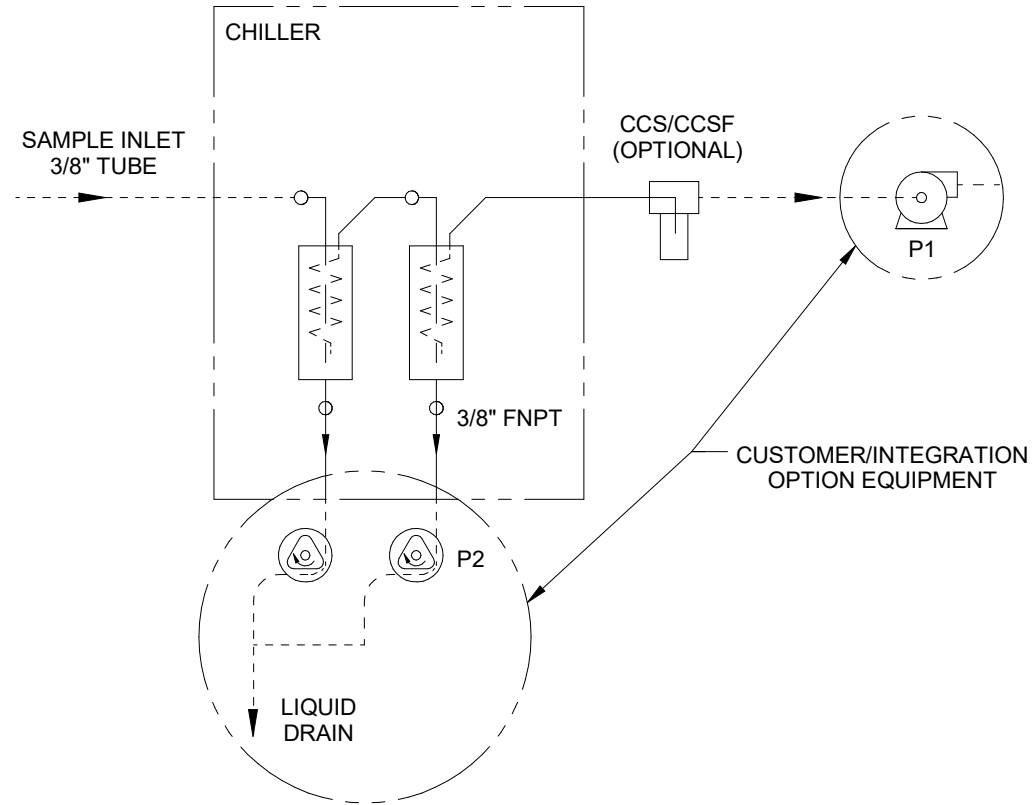
NOTES:

1). SEE PAGE 4 FOR TERMINAL / CONTROLLER CARD CONNECTIONS LAYOUT.

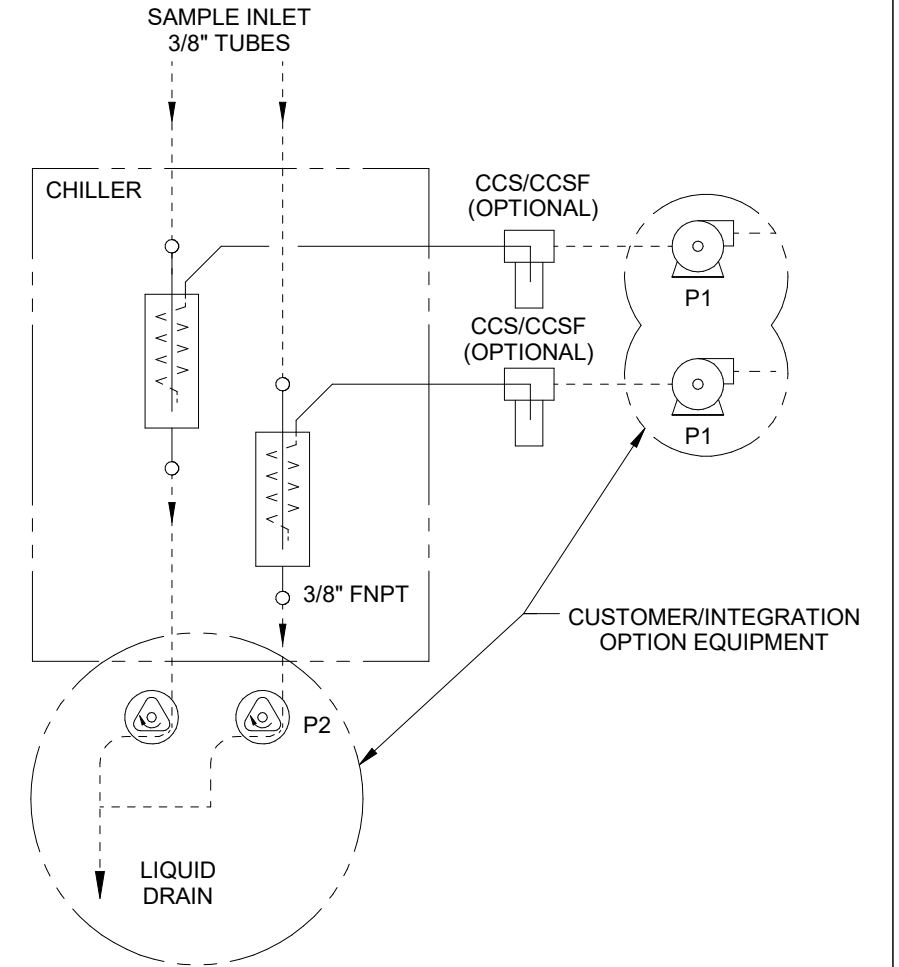
 		5200 Convoir Drive Carson City, NV 89706 PH(775)883-2500 FAX (775)883-6388		N	01/05/18	ADD SERIAL LABEL	CS	EM
REV	DATE	DESCRIPTION			DWN	APVD	REVISIONS	
		MODELS 620, 630 & 640 SERIES EXPLODED VIEW					DATE	SCALE
							01/25/1999	NTS
							SIZE	SHEET
							D	2 OF 4
PART NO.	FOR	DRAWN BY		ECO#	DRAWING NO.			
-	600 SERIES	E. Musselman		2842	P0327			
		APVD BY						
		R. Daniel						



P&ID FOR SINGLE STREAM 620



P&ID FOR SINGLE STREAM 630/640

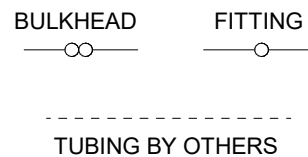


P&ID FOR DUAL STREAM 640

Item	Description	UAI Part No.
CCS/CCSF	Optional CCS Condensate Sensor	CCS
	Optional CCSF Condensate Sensor Filtered 2 Micron	CCSF
<b>Customer / Integration Options</b>		
P1	Sample Pump Single Head 230V	4958-0015
	Sample Pump Single Head 115V	4958-0025
	Sample Pump Dual Head 230V	4958-0016
	Sample Pump Dual Head 115V	4958-0026
P2	Peristaltic Pump Single Head 115V	4958-0011
	Peristaltic Pump Dual Head 115V	4958-0012
	Peristaltic Pump Single Head 230V	4958-0013
	Peristaltic Pump Dual Head 230V	4958-0035

Item	# Of Impingers	# Of Active Impingers	# Of Samples
620	1	1	1
630	2	1	1
640	2	2	1 or 2

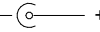
**LEGEND**



NOTE: ALL FITTINGS ARE 1/4" NPT UNLESS OTHERWISE SPECIFIED.

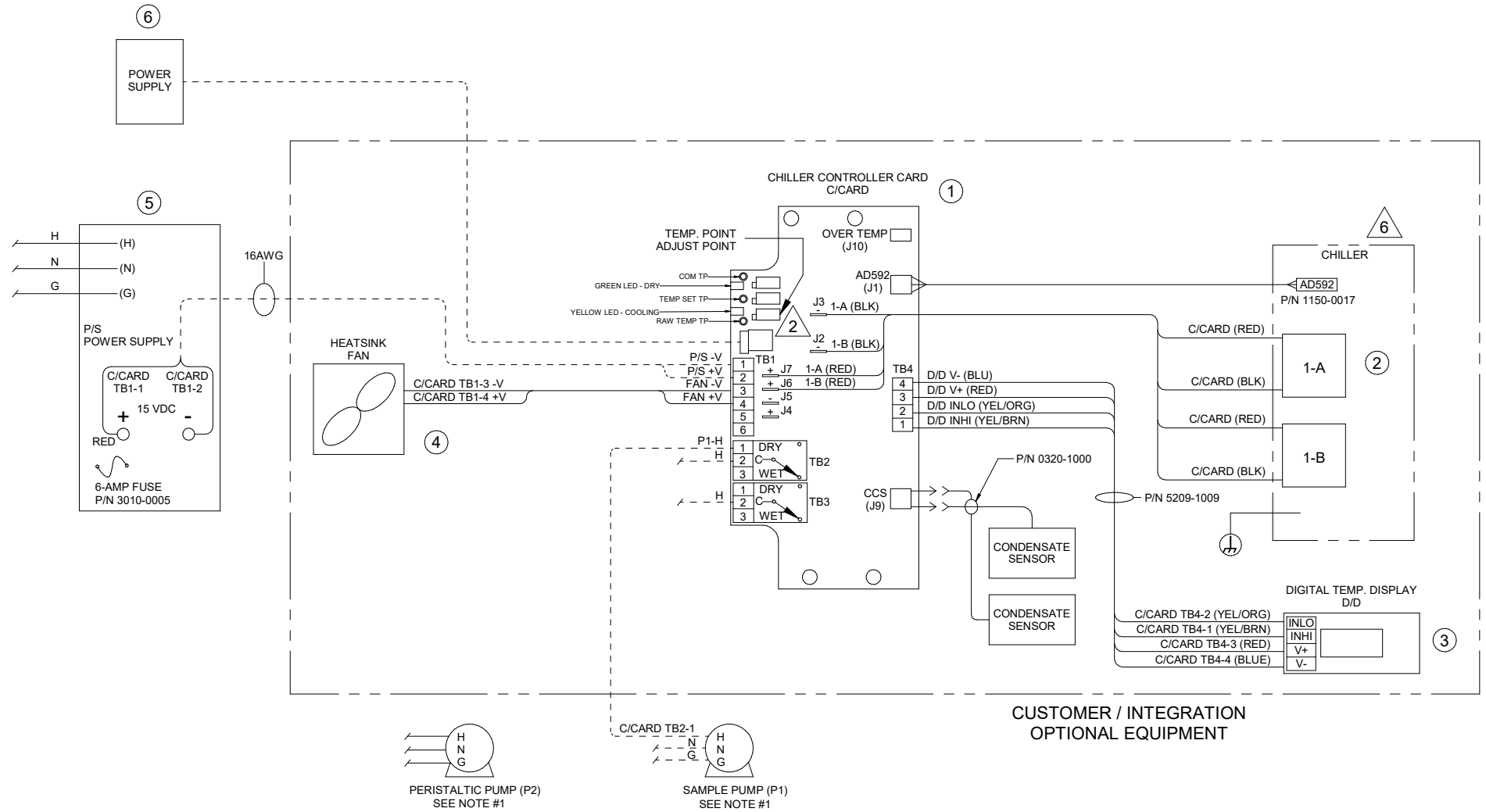
5200 Convoir Drive Carson City, NV 89706 PH(775)883-2500 FAX (775)883-6388		N	01/05/18	ADD SERIAL LABEL	CS	EM
		REV	DATE	DESCRIPTION	DWN	APVD
		REVISIONS				
MODELS 620, 630 & 640 SERIES P&ID		DATE	SCALE	SIZE	SHEET	
		01/25/1999	NTS	D	3 OF 4	
PART NO.	FOR	DRAWN BY	E. Musselman	ECO#	DRAWING NO.	
-	600 SERIES	APVD BY	R. Daniel	2842	P0327	

## CONDUIT AND WIRING NOTES



- ELECTRICAL AREA CLASSIFICATION: INSIDE - GENERAL PURPOSE SYSTEM IS CONFIGURED AT THE FACTORY FOR REQUIRED VOLTAGE. CONTACT FACTORY FOR VOLTAGE CHANGE REQUIREMENTS
- POWER PLUG POLARITY -  +
- DC CONTROL WIRING SHALL BE INDIVIDUAL CONDUCTORS OF STRANDED TINNED COPPER WITH 300V, TYPE TFE INSULATION. MINIMUM WIRE SIZE SHALL BE 18 AWG.  
COLOR CODE SHALL BE AS FOLLOWS: + RED  
- BLUE
- DC SIGNAL WIRING SHALL BE INDIVIDUAL CONDUCTORS OF STRANDED TINNED COPPER WITH 300V, TYPE TFE INSULATION. MINIMUM WIRE SIZE SHALL BE 18 AWG.  
COLOR CODE SHALL BE AS FOLLOWS: COMMON - YELLOW  
COMMON - YELLOW
- LAST DIGIT OF MODEL # SPECIFIES DC SUPPLY REQUIREMENT.  
2 = 12VDC  
4 = 24VDC
- PELTIER ELEMENTS ARE CONNECTED IN SERIES FOR 624, 634, AND 644 MODELS.

FIELD TO WIRE

PELTIER WIRING	
6x2 (12Vdc)	
PELTIER 1 (+) - J6 (-) - J3	PELTIER 2 (642) (+) - J7 (-) - J2
6x4 (24Vdc)	
PELTIER 1 (+) - J4 (-) - J3	PELTIER 2 (+) - J6 (-) - J5



Number	Qty	Description	Part No.	Model
1	1	Controller Card 12VDC	3600-0035	622/632/642
	1	Controller Card 24VDC	3600-0036	624/634/644
2	2	Peltier Element 15V 8.5A	3016-0001	622/632
	2	Peltier Element 15V 8.5A	3016-0001	642
	2	Peltier Element 15V 3.9A	3016-0003	624/634
	2	Peltier Element	3016-0001	644
3	1	Display Card	3021-1000	All
4	1	Fan 12VDC	4800-0002	622/632/642
	1	Fan 24VDC	4800-0008	624/634/644
<b>Customer / Integration Options</b>				
5	1	Power Supply 12VDC 75W	5400-0027	622/632/642
	1	Power Supply 24VDC 150W	5400-0007	624/634/644
6	1	DC Power Supply 2.1mm Plug		All

5200 Convoir Drive Carson City, NV 89706 PH(775)883-2500 FAX (775)883-6388		N	01/05/18	ADD SERIAL LABEL	CS	EM
 		REV	DATE	DESCRIPTION	DWN	APVD
MODELS 620, 630 & 640 SERIES WIRING SCHEMATIC						
PART NO.		FOR		DATE	SCALE	SHEET
-		600 SERIES		01/25/1999	NTS	4 OF 4
DRAWN BY		ECO#		SIZE	DRAWING NO.	
APVD BY		2842		D	P0327	