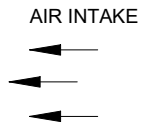
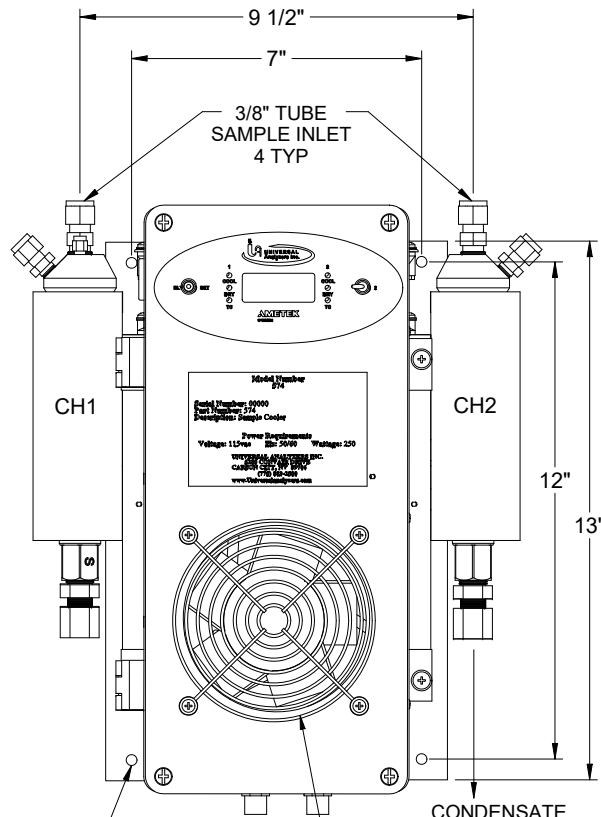


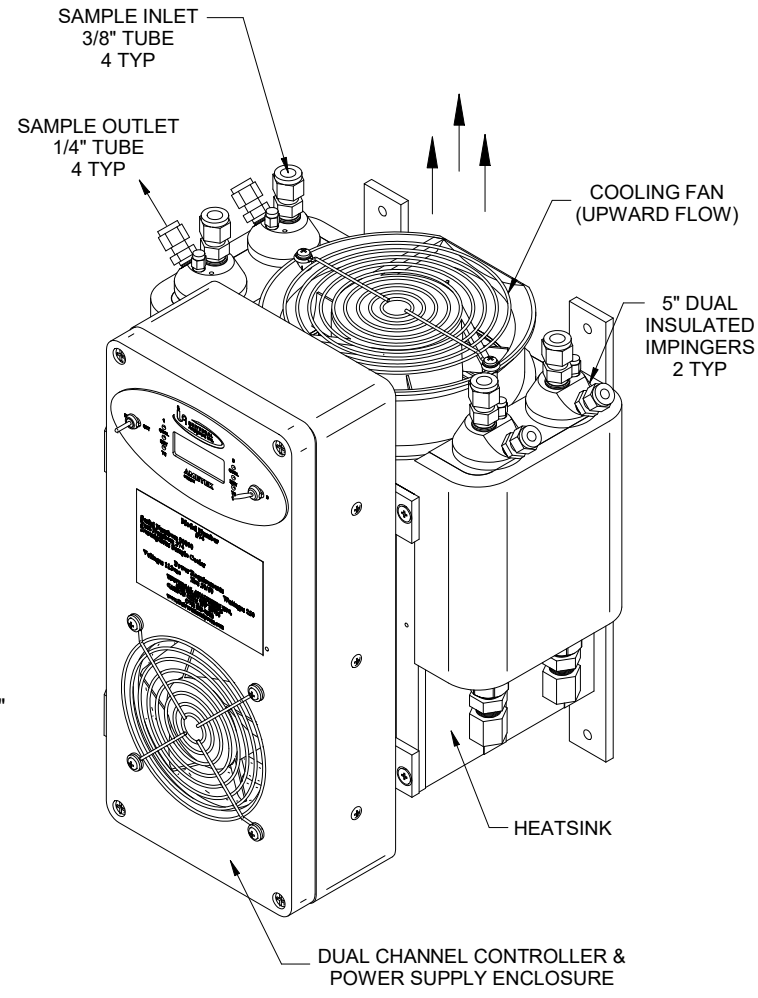
LEFT SIDE VIEW



MOUNTING HOLES FOR
1/4" HARDWARE
(SUPPLIED BY OTHERS)
4 TYP



FRONT VIEW

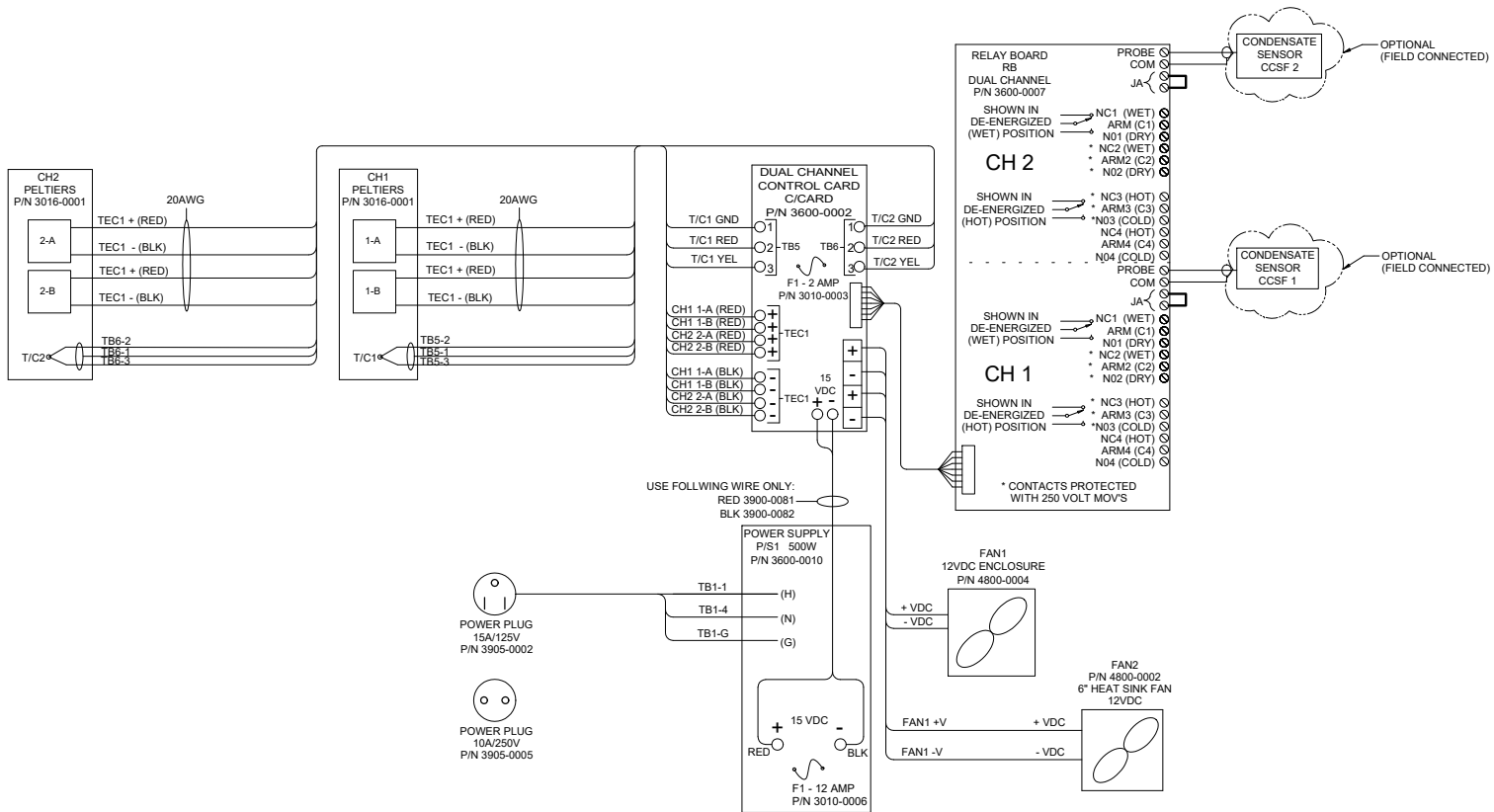


ISOMETRIC VIEW

NOTES:

1). SEE SHEET 2 FOR WIRING SCHEMATIC.

		F	06/22/16	Update Standard 500 Series Drawings	MW	EM	
REV	DATE	DESCRIPTION				DWN/APVD	
MODEL 574 SAMPLE COOLER LAYOUT & DIMENSIONS							REVISIONS
DATE	SCALE	NTS	SIZE	D	SHEET 1 OF 2		
07/06/1998	E. Musselman	EC0#	2833	DRAWING NO. P0290			
PART NO.	FOR						
574	N/A						
DRAWN BY	APVD BY						
E. Musselman	T. Barben						



CONDUIT AND WIRING NOTES

- ELECTRICAL CLASSIFICATION: INSIDE - GENERAL PURPOSE SYSTEM IS CONFIGURED AT THE FACTORY FOR REQUIRED VOLTAGE. CONTACT FACTORY FOR VOLTAGE CHANGE REQUIREMENTS.
- AC WIRING SHALL BE INDIVIDUAL CONDUCTORS OF STRANDED TINNED COPPER WITH 300V, TYPE TFE INSULATION. MINIMUM WIRE SIZE SHALL BE 18 AWG UNLESS OTHERWISE SPECIFIED. COLOR CODE SHALL BE AS FOLLOWS:

115V - HOT	- BLACK	230V - HOT	- BROWN
	NEUTRAL - WHITE		NEUTRAL - BLUE
	GROUND - GREEN		GROUND - GREEN
- DC WIRING SHALL BE INDIVIDUAL CONDUCTORS OF STRANDED TINNED COPPER WITH 300V, TYPE TFE INSULATION. MINIMUM WIRE SIZE SHALL BE 22 AWG UNLESS OTHERWISE SPECIFIED. COLOR CODE SHALL BE AS FOLLOWS, UNLESS OTHERWISE SPECIFIED:

115V +V	RED	230V +V	RED
	-V		BLACK

RELAY BOARD NOTES

- USER CONNECTIONS TO MOISTURE SENSOR RELAY ENERGIZED WHEN SENSOR IS DRY (DRY LED ON). RATING: 1/10HP 120VAC 5A 240VAC/32VDC RESISTIVE.
- USER CONNECTIONS TO "AT TEMPERATURE" RELAY ENERGIZED WHEN BELOW SET TEMPERATURE (COOL LED ON). RATING: 1/10HP 120VAC 5A 240VAC/32VDC RESISTIVE.

FIELD TO WIRE

		F	06/22/16	Update Standard 500 Series Drawings	MW	EM
REV	DATE	DESCRIPTION			DWN	
		REVISIONS				
MODEL 574 SAMPLE COOLER WIRING SCHEMATIC		DATE	SCALE	NTS	SIZE	SHEET
PART NO.	FOR	07/06/1998			D	2 OF 2
574	N/A	DRAWN BY	E. Musselman	EC0#		DRAWING NO.
		APVD BY	T. Barben	2833		P0290