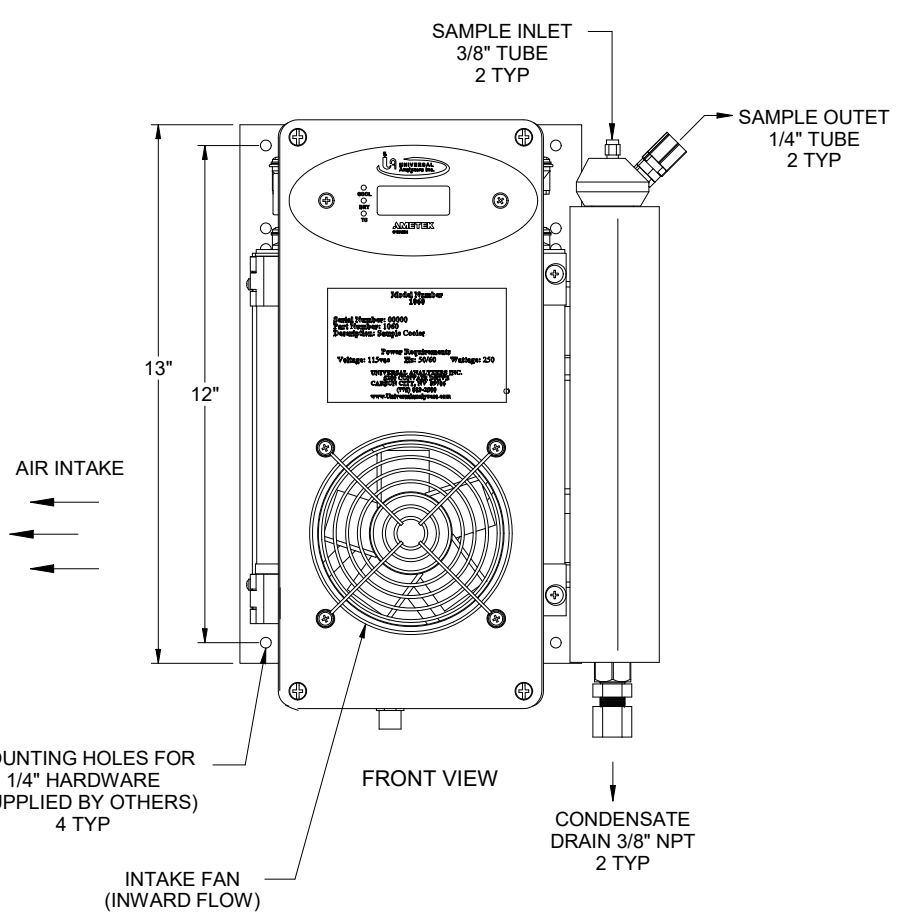
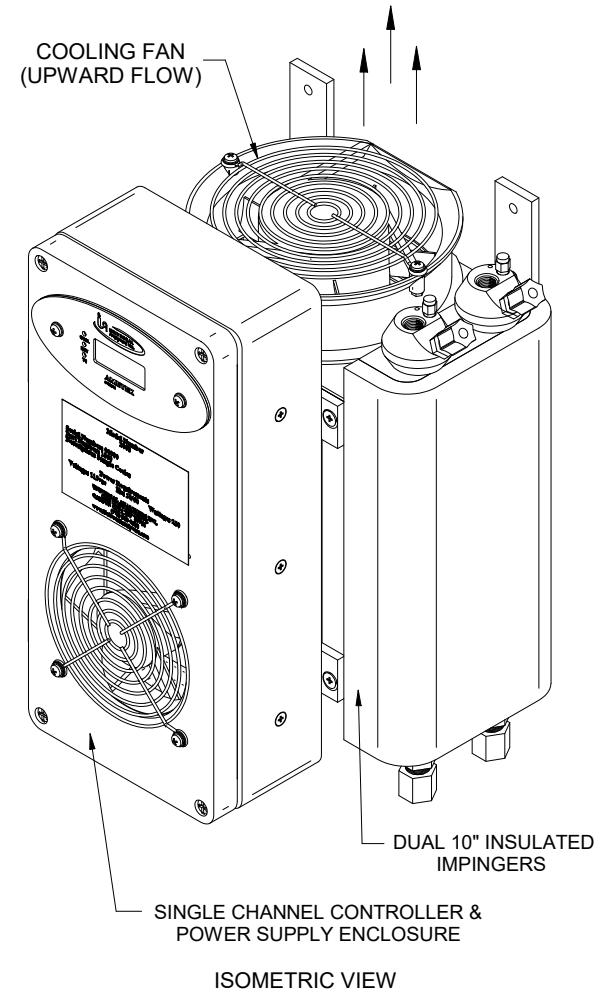


LEFT SIDE VIEW



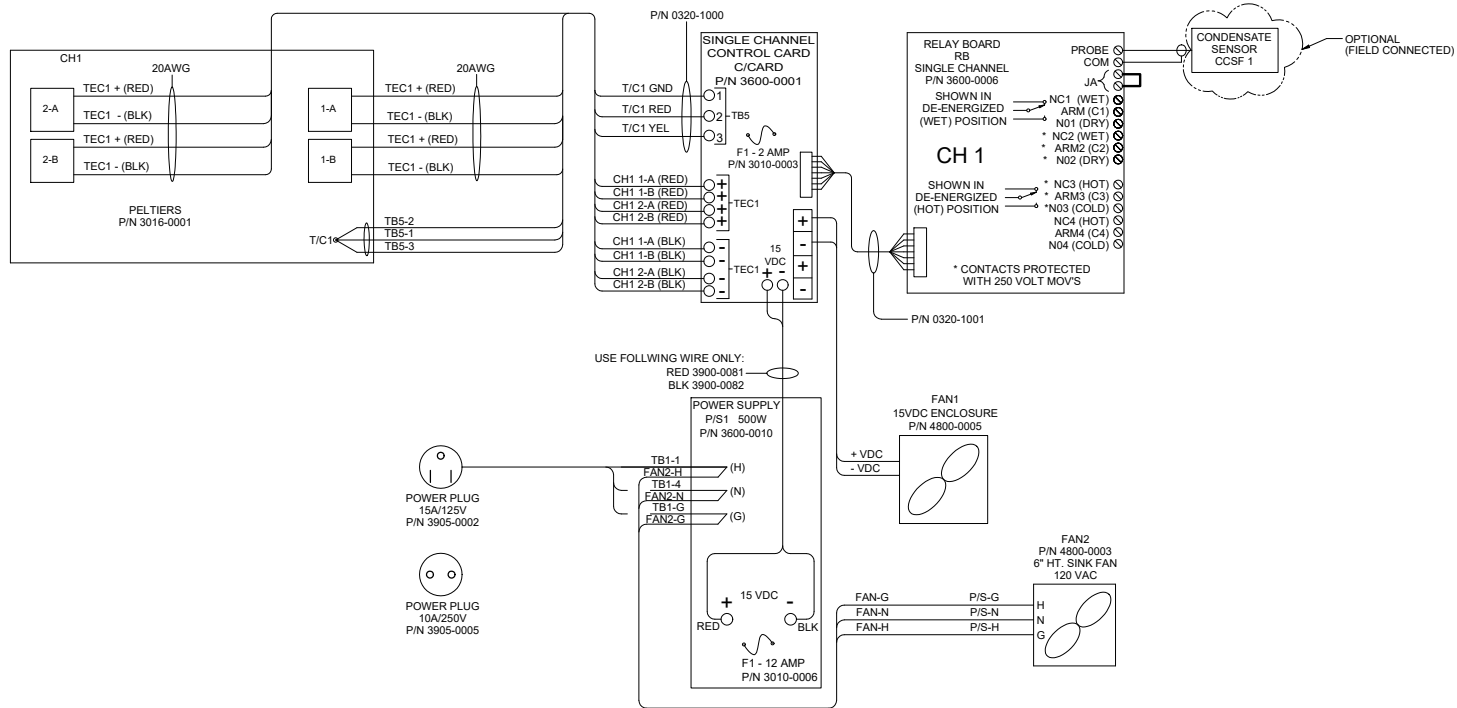
FRONT VIEW



NOTES:

1). SEE SHEET 2 FOR WIRING SCHEMATIC.

		F	07/12/16	Update Standard 1000 Series Drawings	MW	EM
REV	DATE	DESCRIPTION			DWN APVD	
<b>MODEL 1060 SAMPLE COOLER LAYOUT &amp; DIMENSIONS</b>						
PART NO.	FOR	DATE	SCALE	NTS	SIZE	SHEET
1060	N/A	12/19/1997			D	1 OF 2
DRAWN BY	E. Musselman	EC0#	284	DRAWING NO. P0247		
APVD BY	T. Barben					



### CONDUIT AND WIRING NOTES

1. ELECTRICAL CLASSIFICATION : INSIDE - GENERAL PURPOSE SYSTEM IS CONFIGURED AT THE FACTORY FOR REQUIRED VOLTAGE. CONTACT FACTORY FOR VOLTAGE CHANGE REQUIREMENTS.

2. AC WIRING SHALL BE INDIVIDUAL CONDUCTORS OF STRANDED TINNED COPPER WITH 300V. TYPE TFE INSULATION. MINIMUM WIRE SIZE SHALL BE 18 AWG UNLESS OTHERWISE SPECIFIED. COLOR CODE SHALL BE AS FOLLOWS:

115V - HOT	- BLACK	230V - HOT	- BROWN
NEUTRAL - WHITE		NEUTRAL - BLUE	
GROUND - GREEN		GROUND - GREEN	

3. DC WIRING SHALL BE INDIVIDUAL CONDUCTORS OF STRANDED TINNED COPPER WITH 300V. TYPE TFE INSULATION. MINIMUM WIRE SIZE SHALL BE 22 AWG UNLESS OTHERWISE SPECIFIED. COLOR CODE SHALL BE AS FOLLOWS, UNLESS OTHERWISE SPECIFIED:

115V +V	RED	230V +V	RED
-V	BLUE	-V	BLACK

### RELAY BOARD NOTES

4. USER CONNECTIONS TO MOISTURE SENSOR RELAY ENERGIZED WHEN SENSOR IS DRY (DRY LED ON). RATING: 1/10HP 120VAC 5A 240VAC/32VDC RESISTIVE.

5. USER CONNECTIONS TO "AT TEMPERATURE" RELAY ENERGIZED WHEN BELOW SET TEMPERATURE (COOL LED ON). RATING: 1/10HP 120VAC 5A 240VAC/32VDC RESISTIVE.

-----  
FIELD TO WIRE

5200 Conwar Drive Carson City, NV 89705 PH(775)883-2900 FAX (775)883-6388		F	07/12/16	Update Standard 1000 Series Drawings	MW	EM
UNIVERSAL AMETEK		REV	DATE	DESCRIPTION	DWN APVD	
MODEL 1060 SAMPLE COOLER WIRING SCHEMATIC		REVISIONS				
DATE	SCALE	NTS	SIZE	SHEET	2 OF 2	
12/19/1997			D			
PART NO.	FOR	DRAWN BY	E. Musselman	EC0#	2844	DRAWING NO.
1060	N/A	APVD BY	T. Barben			P0247