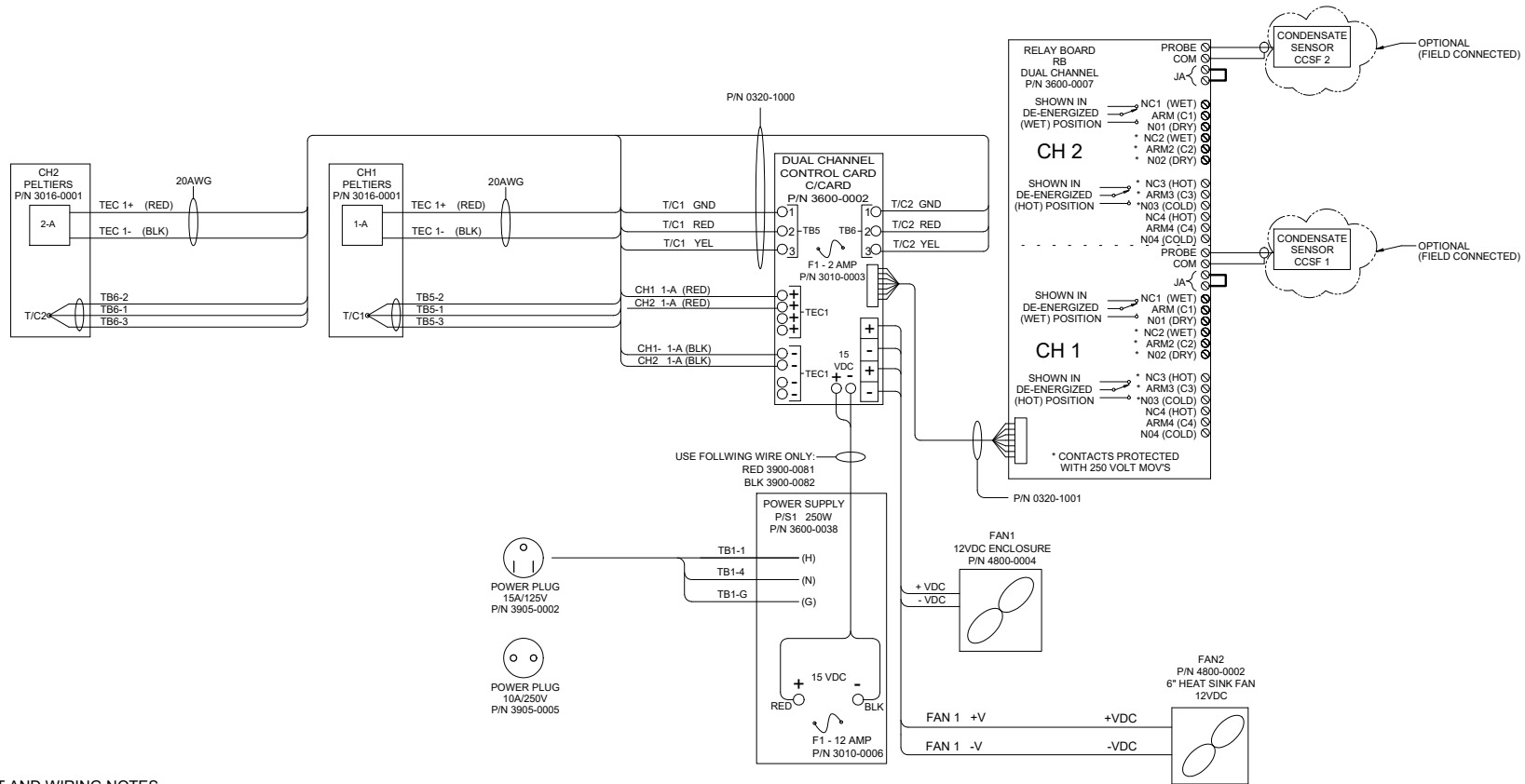


NOTES:
 1). SEE SHEET 2 FOR WIRING SCHEMATIC.

		K	06/22/16	Update Standard 500 Series Drawings	MW	EM
REV	DATE	DESCRIPTION			DWN APVD	
REVISIONS						
DATE		SCALE	SIZE	SHEET		
05/12/1993		NTS	D	1 OF 2		
DRAWN BY: E. Musselman		ECO#	DRAWING NO.			
APVD BY: T. Barben		2833	P0047			
PART NO. 570		FOR N/A				



CONDUIT AND WIRING NOTES

1. ELECTRICAL CLASSIFICATION - INSIDE - GENERAL PURPOSE SYSTEM IS CONFIGURED AT THE FACTORY FOR REQUIRED VOLTAGE. CONTACT FACTORY FOR VOLTAGE CHANGE REQUIREMENTS.

2. AC WIRING SHALL BE INDIVIDUAL CONDUCTORS OF STRANDED TINNED COPPER WITH 300V, TYPE TFE INSULATION. MINIMUM WIRE SIZE SHALL BE 18 AWG UNLESS OTHERWISE SPECIFIED. COLOR CODE SHALL BE AS FOLLOWS:

115V - HOT - BLACK 230V - HOT - BROWN
 NEUTRAL - WHITE NEUTRAL - BLUE
 GROUND - GREEN GROUND - GREEN

3. DC WIRING SHALL BE INDIVIDUAL CONDUCTORS OF STRANDED TINNED COPPER WITH 300V, TYPE TFE INSULATION. MINIMUM WIRE SIZE SHALL BE 22 AWG UNLESS OTHERWISE SPECIFIED. COLOR CODE SHALL BE AS FOLLOWS, UNLESS OTHERWISE SPECIFIED:

115V +V RED 230V +V RED
 -V BLUE -V BLACK

RELAY BOARD NOTES

4. USER CONNECTIONS TO MOISTURE SENSOR RELAY ENERGIZED WHEN SENSOR IS DRY (DRY LED ON). RATING: 1/10HP 120VAC 5A 240VAC/32VDC RESISTIVE.

5. USER CONNECTIONS TO "AT TEMPERATURE" RELAY ENERGIZED WHEN BELOW SET TEMPERATURE (COOL LED ON). RATING: 1/10HP 120VAC 5A 240VAC/32VDC RESISTIVE.

 FIELD TO WIRE

3500 Convent Drive Carson City, NV 89706 P/N 779/850-2500 FAX 779/850-6388		K	06/22/16	Update Standard 500 Series Drawings	MW	EM
		REV	DATE	DESCRIPTION	DWN APVD	
MODEL 570 SAMPLE COOLER WIRING SCHEMATIC		REVISIONS				
PART NO.	FOR	DATE	SCALE	SIZE	SHEET	
570	N/A	05/12/1993	NTS	D	2 OF 2	
DRAWN BY	APVD BY	EC0#	2833	DRAWING NO.		
E. Musselman	T. Barben			P0047		