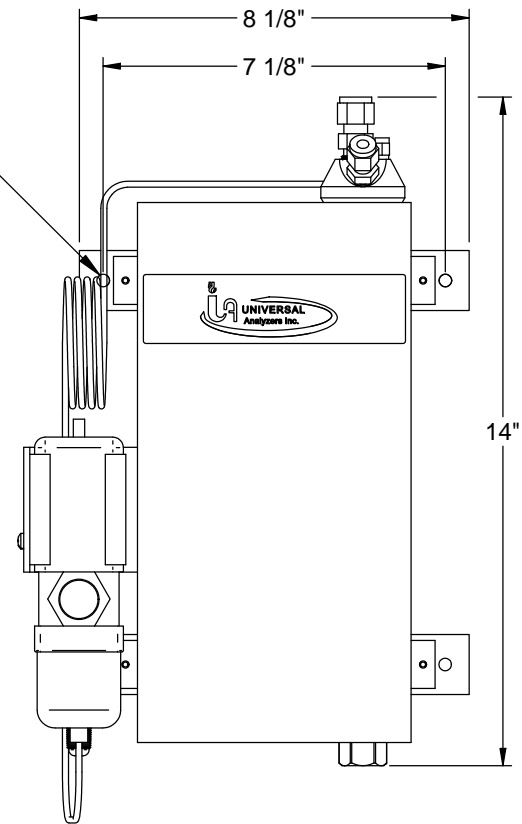


MOUNTING HOLES FOR 1/4" HARDWARE (SUPPLIED BY OTHERS) 4 TYP



F	09/24/15	Show Coil On The Side Of Cooler	MY	MW
REV	DATE	DESCRIPTION	DWN	APVD
REVISIONS				

1100 SERIES VORTEX COOLED SAMPLE COOLER OUTLINE & MOUNTING DIMENSIONS

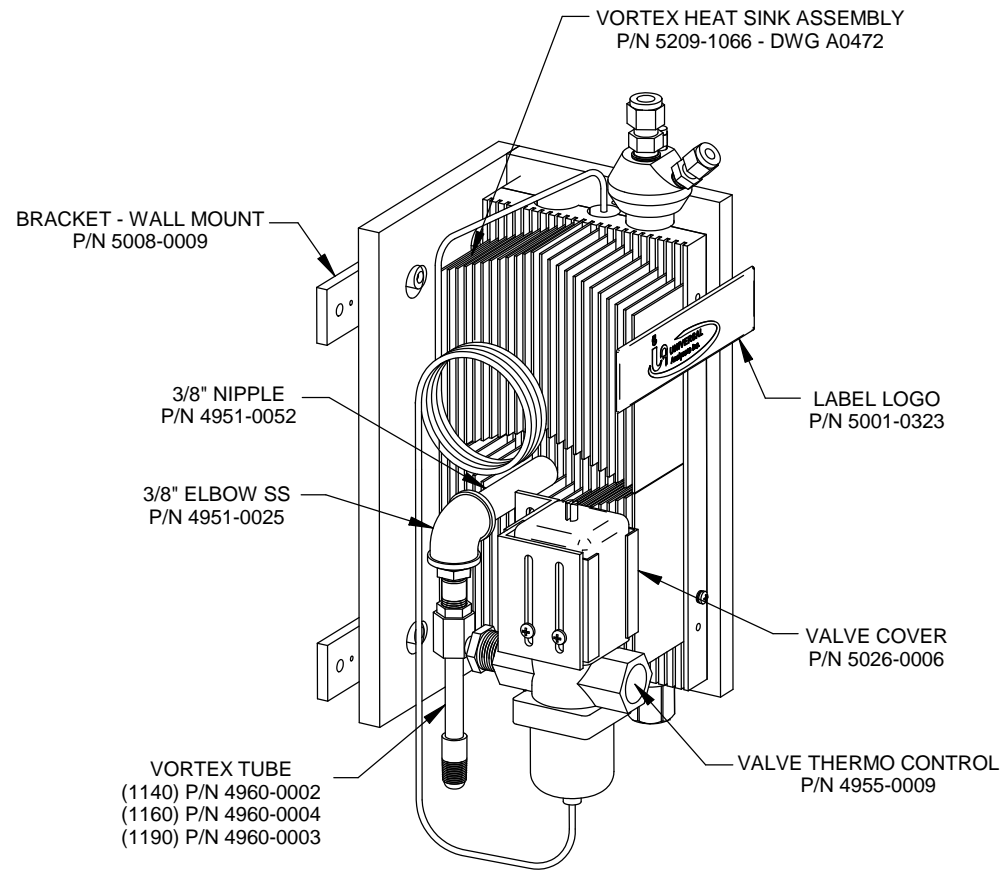
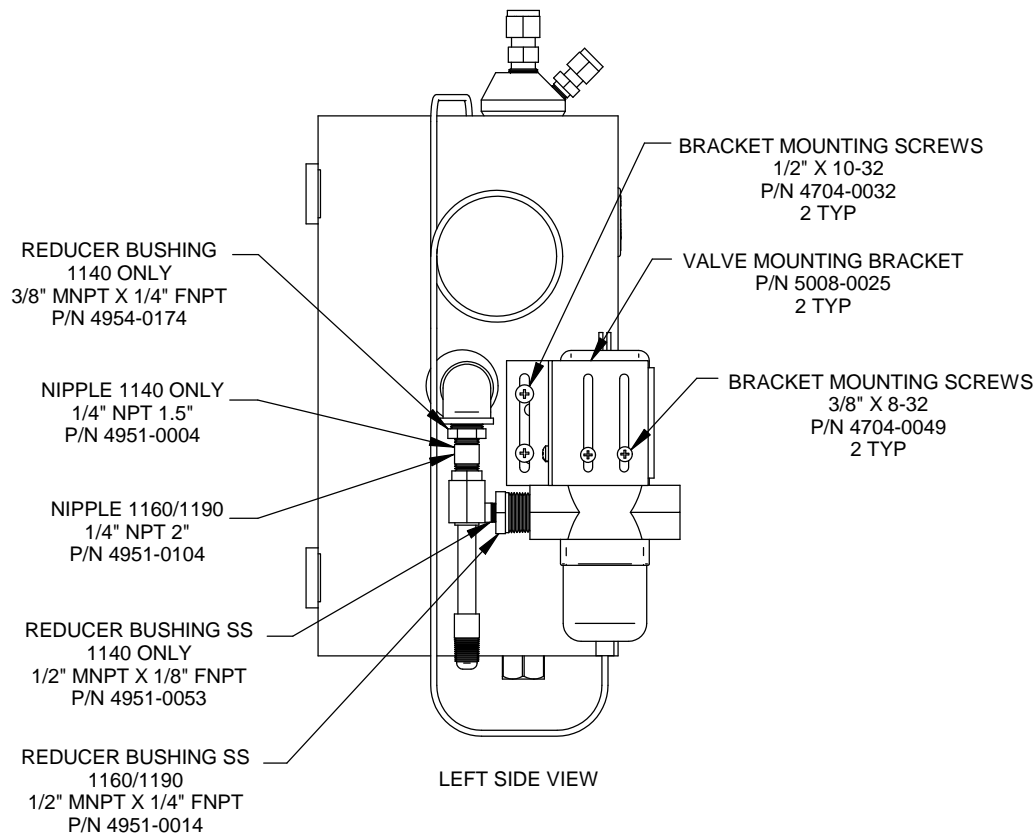
PART NO. FOR NOT ISSUED 1100 SERIES COOLERS

5200 Convair Drive Carson City, NV 89706 PH(775)883-2500 FAX (775)883-6388



DRAWN BY	H. MITCHELL	ECO#		DRAWING NO	
APVD BY	T. BARBEN II		667		P0042
DATE	05/07/93	SCALE	1 : 2	SIZE	C
				SHEET	1 OF 2

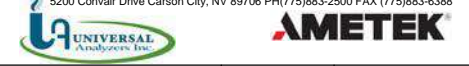
MODEL NO.	# OF IMPINGERS	COMPRESSED AIR REQUIRED "X"	TOTAL COOLING CAPACITY @ 100 PSIG (690 KPa)
1140	1	4CFM	110 B.T.U. / HR
1160	2	10CFM	260 B.T.U. / HR
1190	2	15CFM	400 B.T.U. / HR



F	09/24/15	Show Coil On The Side Of Cooler	MY	MW
REV	DATE	DESCRIPTION	DWN	APVD
REVISIONS				

**1100 SERIES VORTEX COOLED
SAMPLE COOLER OUTLINE &
PART # CALLOUT**

PART NO. FOR
NOT ISSUED 1100 SERIES COOLERS



DRAWN BY	H. MITCHELL	ECO#		DRAWING NO	
APVD BY	T. BARBEN II		667	P0042	
DATE	05/07/93	SCALE	1 : 2	SIZE	C
				SHEET	2 OF 2