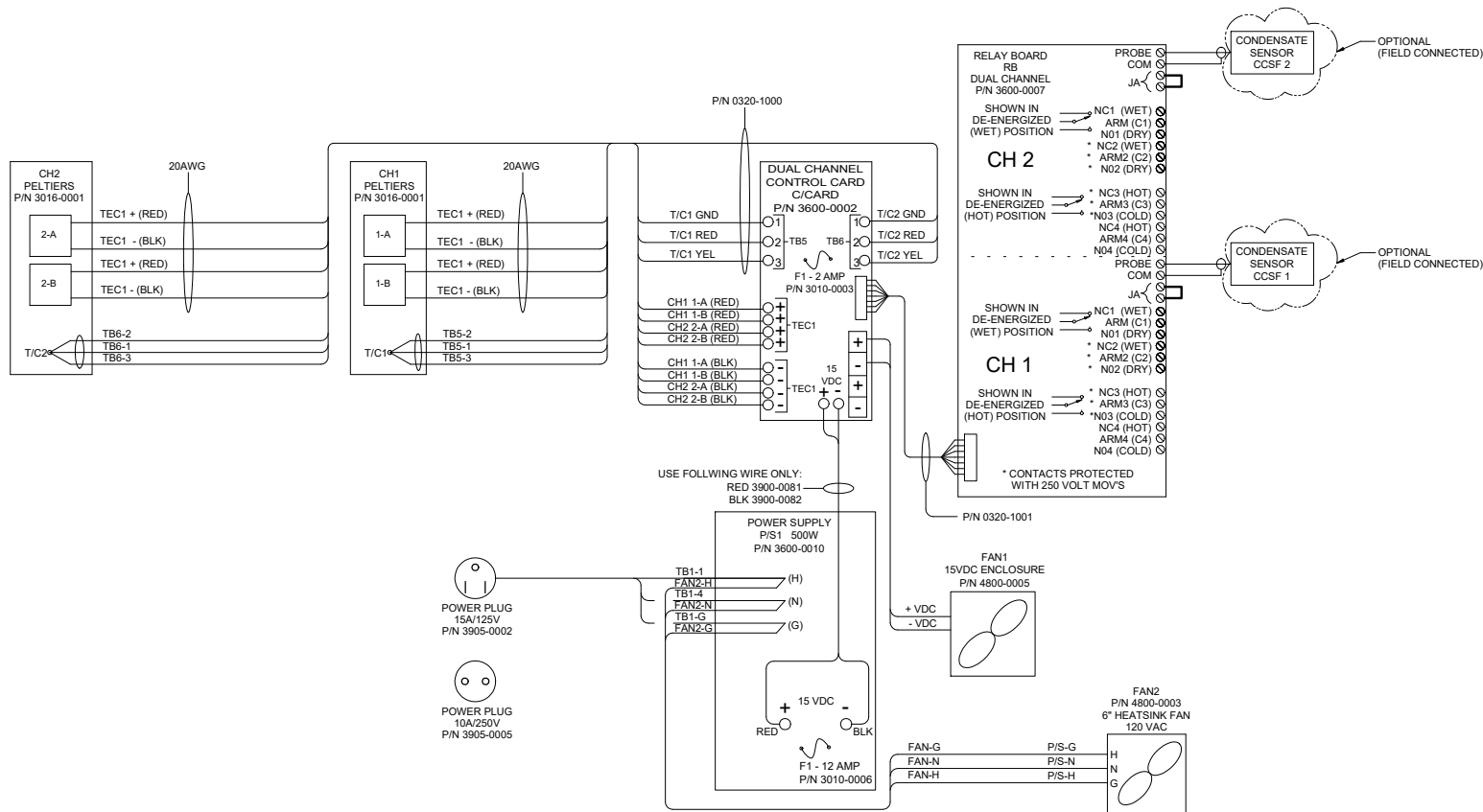


NOTES:

1). SEE SHEET 2 FOR WIRING SCHEMATIC.

5200 Conover Drive Carson City, NV 89706 PH(775)983-2550 FAX (775)983-6388		G	07/12/16	Update Standard 1000 Series Drawings	MW	EM
UNIVERSAL AMETEK		REV	DATE	DESCRIPTION	DWN APVD	
MODEL 1090 SAMPLE COOLER LAYOUT & DIMENSIONS		REVISIONS				
PART NO.	FOR	DATE	SCALE	SIZE	SHEET	
1090	N/A	03/14/1993	NTS	D	1 OF 2	
DRAWN BY	FOR	DATE	SCALE	SIZE	SHEET	
APVD BY	T. Barben	03/14/1993	NTS	D	1 OF 2	
E. Musselman		ECOF	284	DRAWING NO. P0041		



CONDUIT AND WIRING NOTES

1. ELECTRICAL CLASSIFICATION : INSIDE - GENERAL PURPOSE SYSTEM IS CONFIGURED AT THE FACTORY FOR REQUIRED VOLTAGE. CONTACT FACTORY FOR VOLTAGE CHANGE REQUIREMENTS.

2. AC WIRING SHALL BE INDIVIDUAL CONDUCTORS OF STRANDED TINNED COPPER WITH 300V, TYPE TFE INSULATION. MINIMUM WIRE SIZE SHALL BE 18 AWG UNLESS OTHERWISE SPECIFIED. COLOR CODE SHALL BE AS FOLLOWS:

115V - HOT - BLACK 230V - HOT - BROWN
 NEUTRAL - WHITE NEUTRAL - BLUE
 GROUND - GREEN GROUND - GREEN

3. DC WIRING SHALL BE INDIVIDUAL CONDUCTORS OF STRANDED TINNED COPPER WITH 300V, TYPE TFE INSULATION. MINIMUM WIRE SIZE SHALL BE 22 AWG UNLESS OTHERWISE SPECIFIED. COLOR CODE SHALL BE AS FOLLOWS, UNLESS OTHERWISE SPECIFIED:

115V +V RED 230V +V RED
 -V BLUE -V BLACK

RELAY BOARD NOTES

4. USER CONNECTIONS TO MOISTURE SENSOR RELAY ENERGIZED WHEN SENSOR IS DRY (DRY LED ON). RATING: 1/10HP 120VAC 5A 240VAC/32VDC RESISTIVE.

5. USER CONNECTIONS TO 'AT TEMPERATURE' RELAY ENERGIZED WHEN BELOW SET TEMPERATURE (COOL LED ON). RATING: 1/10HP 120VAC 5A 240VAC/32VDC RESISTIVE.

 FIELD TO WIRE

5200 Conwar Drive Carson City, NV 89706 PH(775)983-2500 FAX(775)983-6388		G	07/12/16	Update Standard 1000 Series Drawings	MW	EM
UNIVERSAL AMETEK		REV	DATE	DESCRIPTION	DWN APVD	
MODEL 1090 SAMPLE COOLER WIRING SCHEMATIC		REVISIONS				
DATE	SCALE	NTS	SIZE	SHEET		
03/14/1993			D	2 OF 2		
PART NO.	FOR	DRAWN BY	ECOF	DRAWING NO.		
1090	N/A	E. Musselman	284	P0041		
		APVD BY				
		T. Barben				