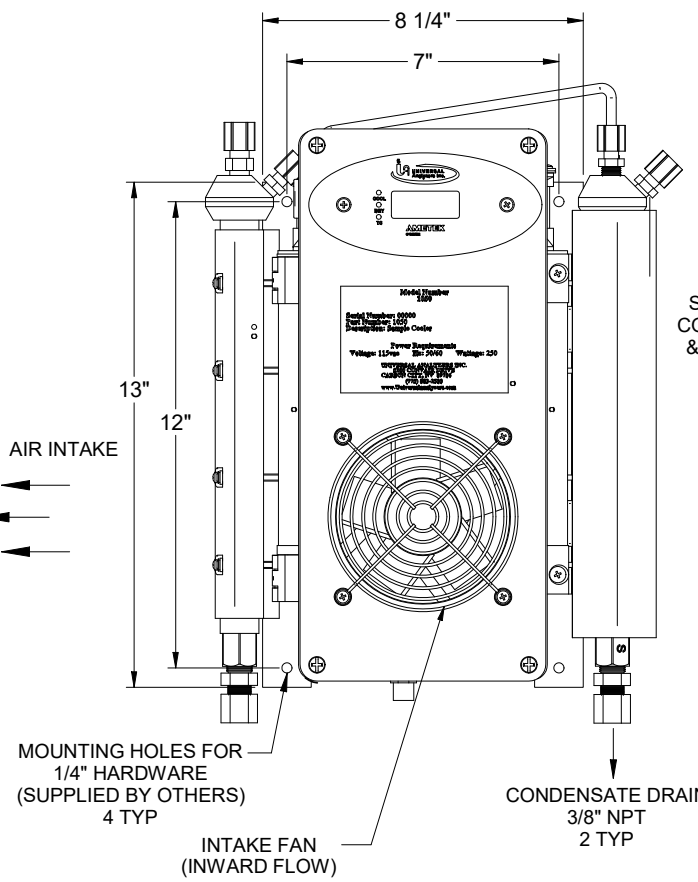
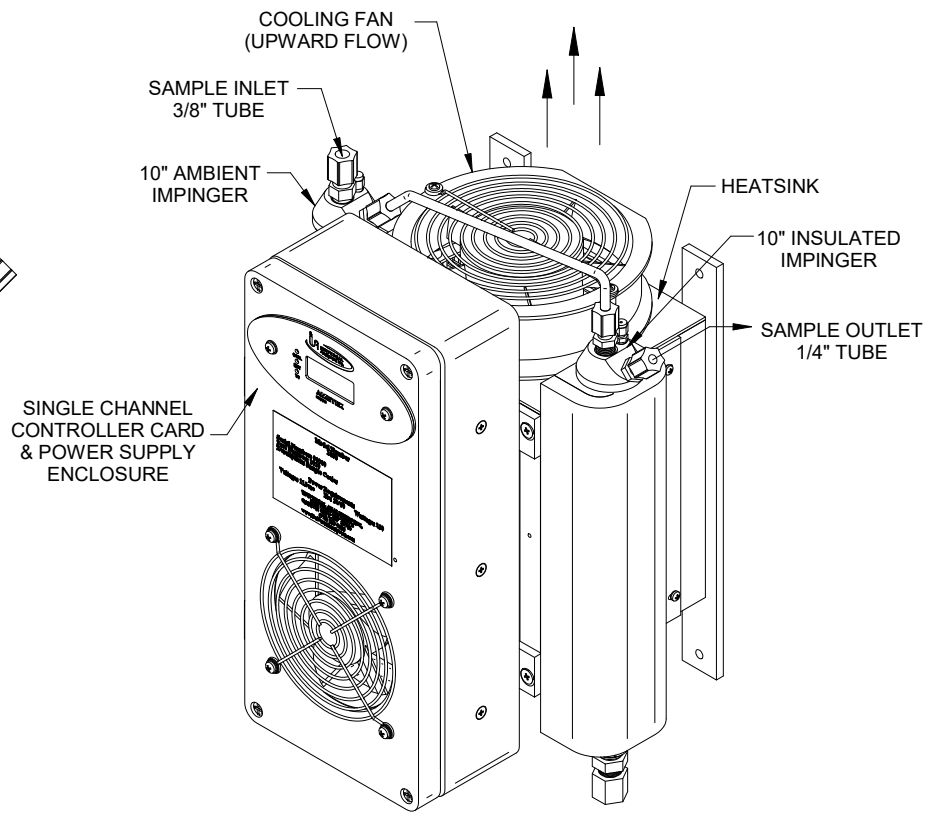


LEFT SIDE VIEW



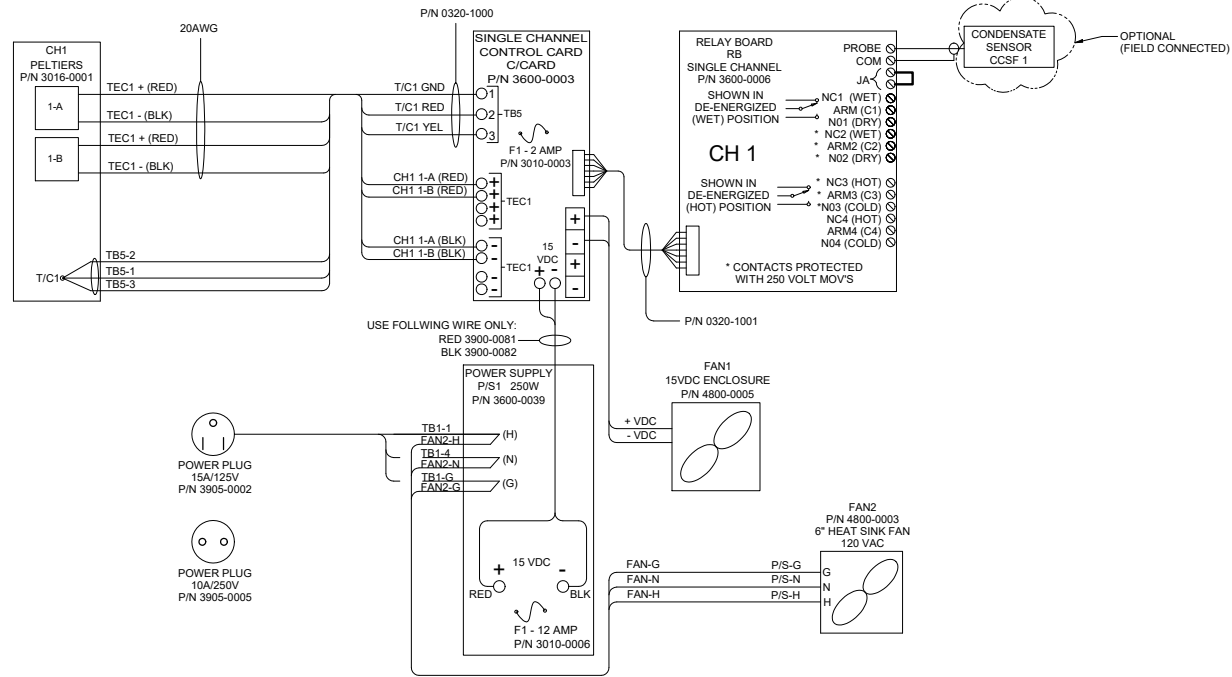
FRONT VIEW



ISOMETRIC VIEW

NOTES:
1). SEE SHEET 2 FOR WIRING SCHEMATIC.

5200 Conover Drive Carson City, NV 89706 PH: 775/883-2500 FAX: 775/883-4388		H	07/12/16	Update Standard 1000 Series Drawings	MW	EM	
UNIVERSAL ELECTRONICS AMETEK		REV	DATE	DESCRIPTION	DWN	APVD	
MODEL 540 SAMPLE COOLER LAYOUT & DIMENSIONS		REVISIONS					
DATE	SCALE	SIZE	SHEET				
10/28/2006	NTS	D	1 OF 2				
PART NO.	FOR	DRAWN BY	ECOP#	DRAWING NO.			
1050	N/A	E. Musselman	2844	P0013			
		APVD BY	T. Barben				



CONDUIT AND WIRING NOTES

- ELECTRICAL CLASSIFICATION : INSIDE - GENERAL PURPOSE SYSTEM IS CONFIGURED AT THE FACTORY FOR REQUIRED VOLTAGE. CONTACT FACTORY FOR VOLTAGE CHANGE REQUIREMENTS.
- AC WIRING SHALL BE INDIVIDUAL CONDUCTORS OF STRANDED TINNED COPPER WITH 300V, TYPE TFE INSULATION. MINIMUM WIRE SIZE SHALL BE 18 AWG UNLESS OTHERWISE SPECIFIED. COLOR CODE SHALL BE AS FOLLOWS:

115V - HOT	- BLACK	230V - HOT	- BROWN
NEUTRAL - WHITE		NEUTRAL - BLUE	
GROUND - GREEN		GROUND - GREEN	
- DC WIRING SHALL BE INDIVIDUAL CONDUCTORS OF STRANDED TINNED COPPER WITH 300V, TYPE TFE INSULATION. MINIMUM WIRE SIZE SHALL BE 22 AWG UNLESS OTHERWISE SPECIFIED. COLOR CODE SHALL BE AS FOLLOWS, UNLESS OTHERWISE SPECIFIED:

115V +V	RED	230V +V	RED
-V	BLUE	-V	BLACK

RELAY BOARD NOTES

- USER CONNECTIONS TO MOISTURE SENSOR RELAY ENERGIZED WHEN SENSOR IS DRY (DRY LED ON). RATING: 1/10HP 120VAC 5A 240VAC/32VDC RESISTIVE.
- USER CONNECTIONS TO "AT TEMPERATURE" RELAY ENERGIZED WHEN BELOW SET TEMPERATURE (COOL LED ON). RATING: 1/10HP 120VAC 5A 240VAC/32VDC RESISTIVE.

FIELD TO WIRE

5200 Conval Drive Carson City, NV 89706 PH:775/883-2500 FAX: 775/883-4388		H	07/12/16	Update Standard 1000 Series Drawings	MW	EM
		REV	DATE	DESCRIPTION	DWN	APVD
MODEL 540 SAMPLE COOLER WIRING SCHEMATIC						
PART NO.		FOR		SCALE	SIZE	SHEET
1050		N/A		NTS	D	2 OF 2
DRAWN BY		E. Musselman		ECO#	DRAWING NO.	
APVD BY		T. Barben		2844	P0013	