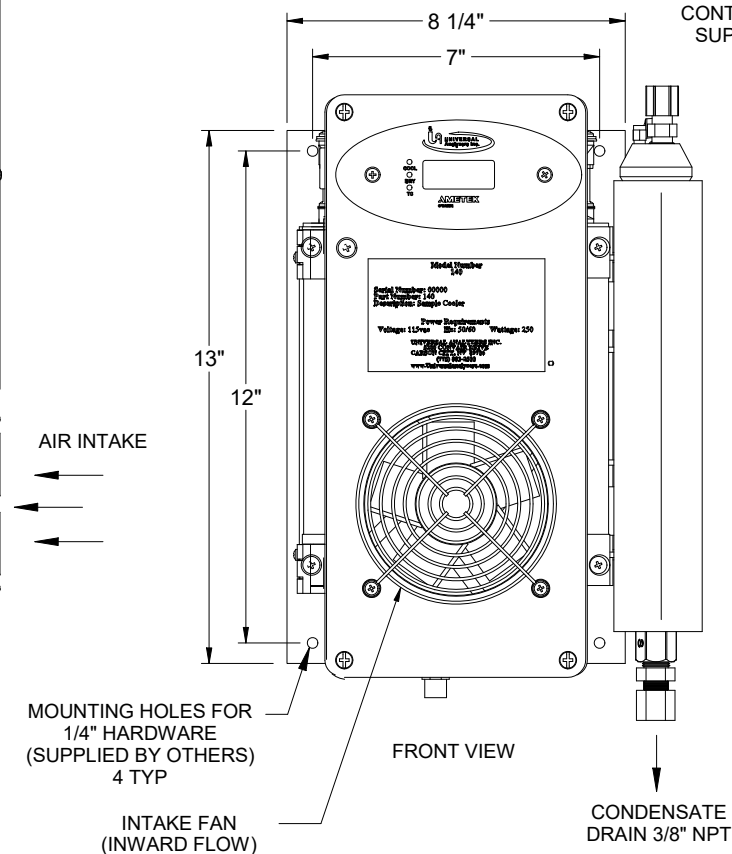
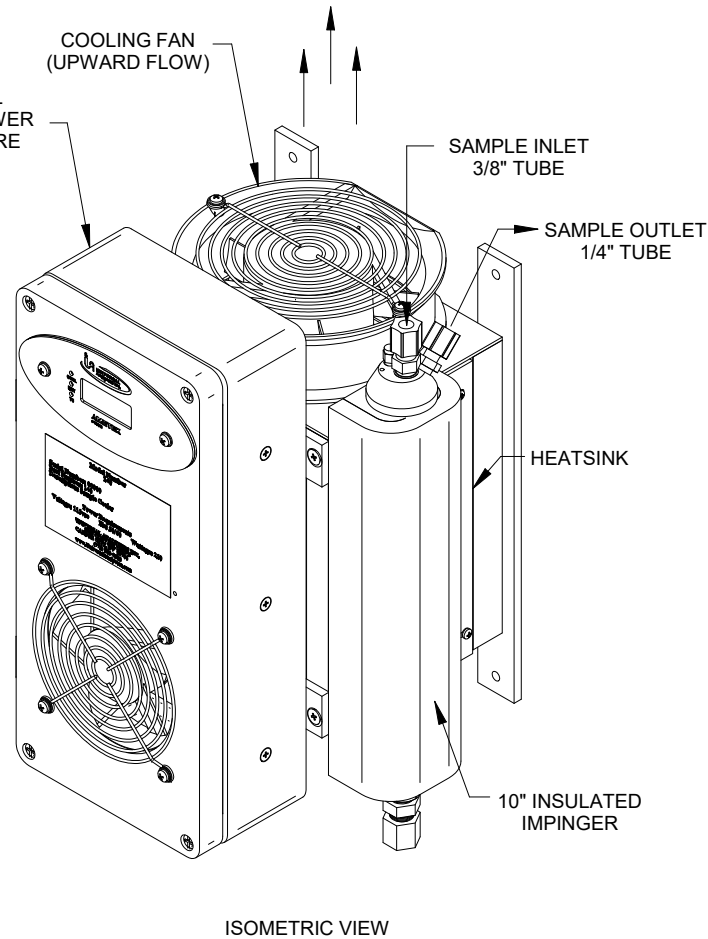


LEFT SIDE VIEW



FRONT VIEW

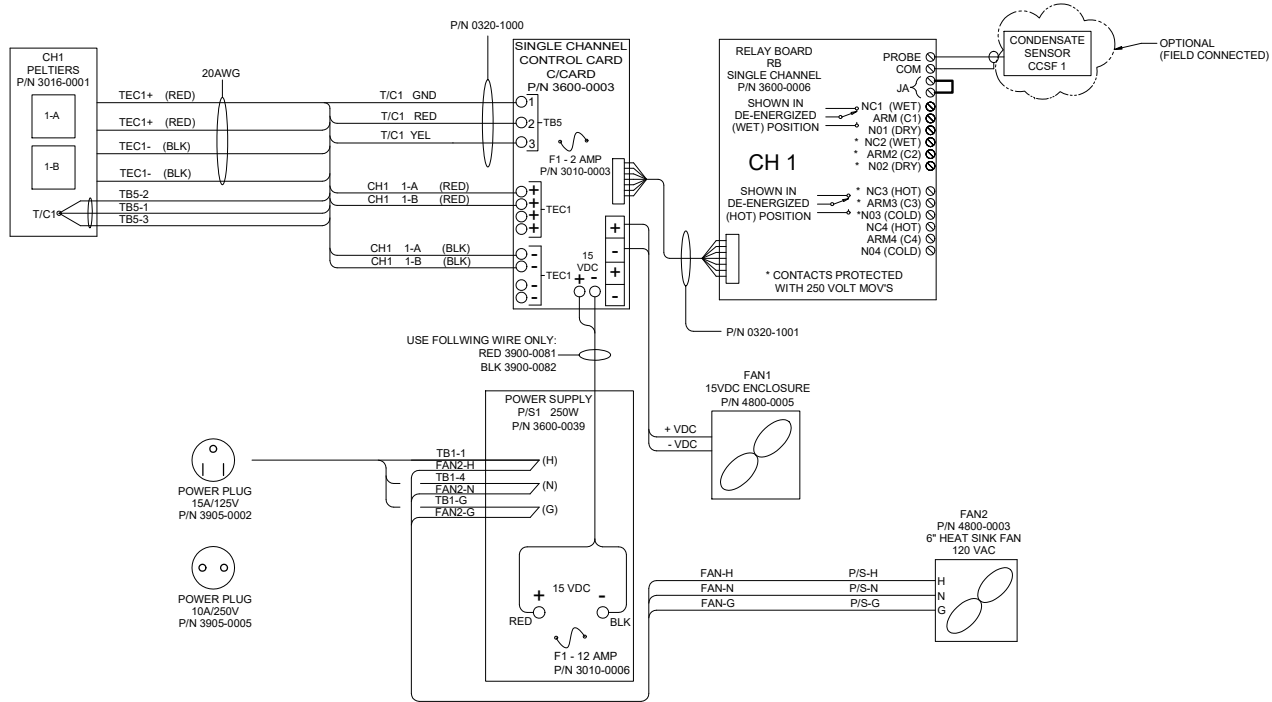
SINGLE CHANNEL CONTROLLER & POWER SUPPLY ENCLOSURE



NOTES:

- 1). SEE SHEET 2 FOR WIRING SCHEMATIC.

5200 Conair Drive Carson City, NV 89706 PH:775/883-2900 FAX: (775)883-6388		G	07/11/16	Update Standard 1000 Series Drawings	MW	EM
UNIVERSAL AMETEK		REV	DATE	DESCRIPTION	DWN APVD	
MODEL 1040 SAMPLE COOLER LAYOUT & DIMENSIONS						
PART NO. 1040		FOR N/A		DATE 02/05/1992	SCALE NTS	SIZE D
DRAWN BY E. Musselman		APVD BY T. Barben		ECOD# 2844	SHEET 1 OF 2 DRAWING NO. P0012	



CONDUIT AND WIRING NOTES

- ELECTRICAL CLASSIFICATION : INSIDE - GENERAL PURPOSE SYSTEM IS CONFIGURED AT THE FACTORY FOR REQUIRED VOLTAGE. CONTACT FACTORY FOR VOLTAGE CHANGE REQUIREMENTS.
- AC WIRING SHALL BE INDIVIDUAL CONDUCTORS OF STRANDED TINNED COPPER WITH 300V, TYPE TFE INSULATION. MINIMUM WIRE SIZE SHALL BE 18 AWG UNLESS OTHERWISE SPECIFIED. COLOR CODE SHALL BE AS FOLLOWS:

115V - HOT	- BLACK	230V - HOT	- BROWN
NEUTRAL	- WHITE	NEUTRAL	- BLUE
GROUND	- GREEN	GROUND	- GREEN
- DC WIRING SHALL BE INDIVIDUAL CONDUCTORS OF STRANDED TINNED COPPER WITH 300V, TYPE TFE INSULATION. MINIMUM WIRE SIZE SHALL BE 22 AWG UNLESS OTHERWISE SPECIFIED. COLOR CODE SHALL BE AS FOLLOWS, UNLESS OTHERWISE SPECIFIED:

115V +V	RED	230V +V	RED
-V	BLUE	-V	BLACK

RELAY BOARD NOTES

- USER CONNECTIONS TO MOISTURE SENSOR RELAY ENERGIZED WHEN SENSOR IS DRY (DRY LED ON). RATING: 1/10HP 120VAC 5A 240VAC/32VDC RESISTIVE.
- USER CONNECTIONS TO "AT TEMPERATURE" RELAY ENERGIZED WHEN BELOW SET TEMPERATURE (COOL LED ON). RATING: 1/10HP 120VAC 5A 240VAC/32VDC RESISTIVE.

FIELD TO WIRE

5200 Conair Drive Carson City, NV 89706 PH:775/883-2900 FAX: (775)883-6388		G	07/11/16	Update Standard 1000 Series Drawings	MW	EM
		REV	DATE	DESCRIPTION	DWN APVD	
		REVISIONS				
MODEL 1040 SAMPLE COOLER WIRING SCHEMATIC						
PART NO.	FOR	DATE	SCALE	SIZE	SHEET	
	N/A	02/05/1992	NTS	D	2 OF 2	
DRAWN BY	E. Musselman	ECOD#	2844	DRAWING NO.		
APVD BY	T. Barben	P0012				