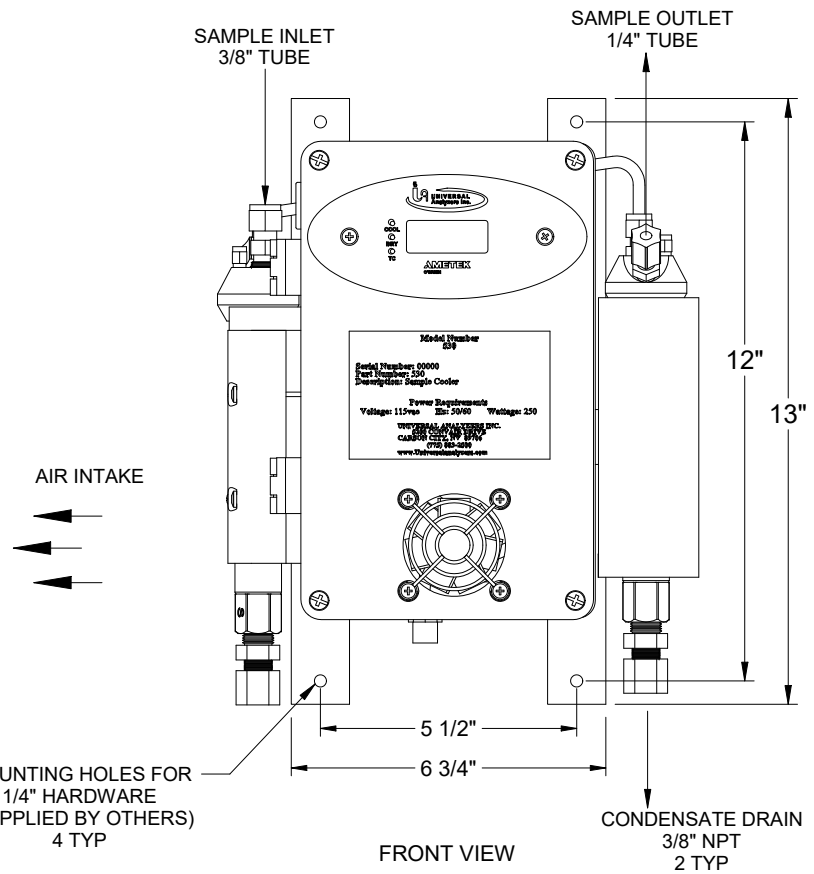
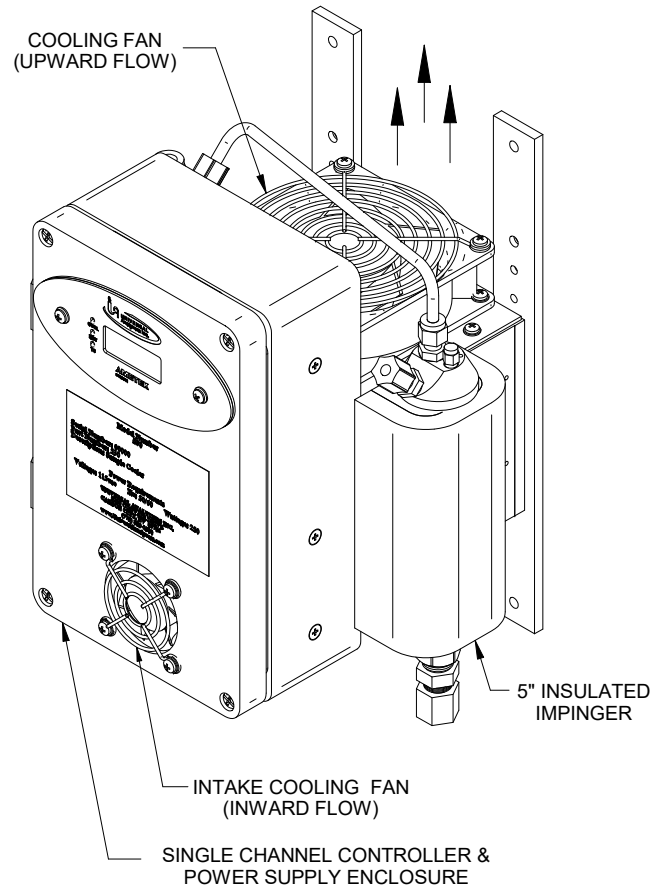


LEFT SIDE VIEW



FRONT VIEW

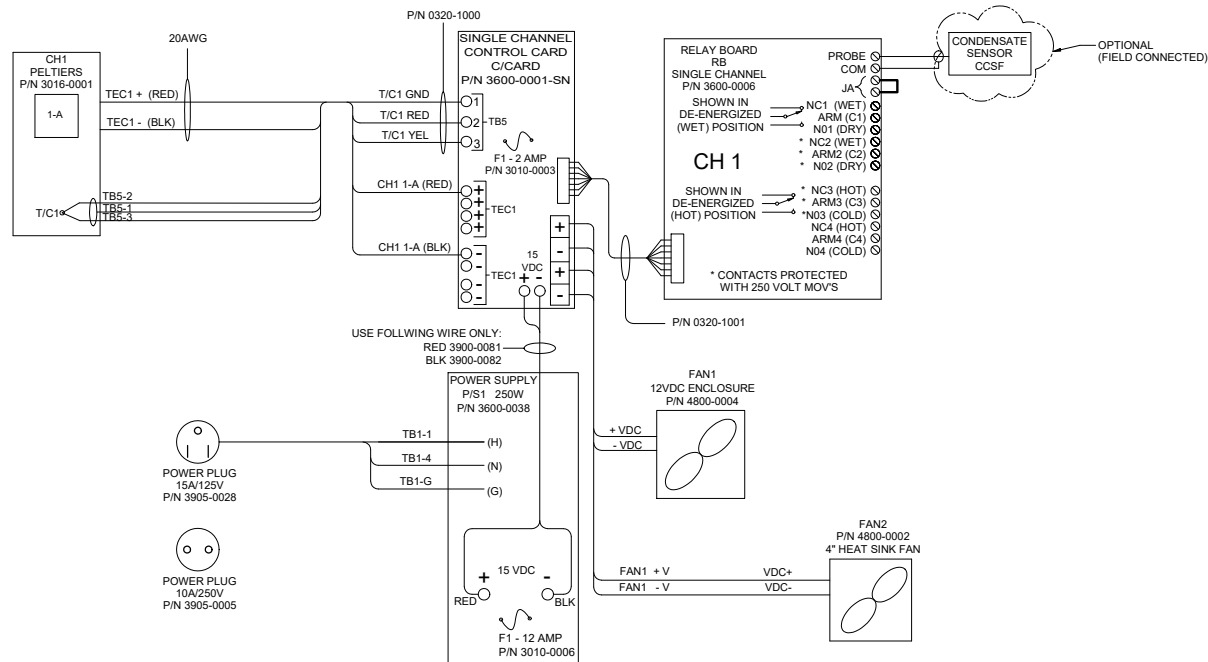


ISOMETRIC VIEW

NOTES:

1). SEE SHEET 2 FOR WIRING SCHEMATIC.

5200 Conover Drive Carson City, NV 89706 PH:775/883-2500 FAX: (775)883-6388		H	06/22/16	Update Standard 500 Series Drawings	MW	EM	
UNIVERSAL ANALYTICAL INC. AMETEK		REV	DATE	DESCRIPTION	DWN	APVD	
MODEL 530 SAMPLE COOLER ARRANGEMENT		REVISIONS					
PART NO.	FOR	DATE	SCALE	SIZE	SHEET		
530	N/A	02/30/1992	NTS	D	1 OF 2		
DRAWN BY	FOR	ECDF	SIZE	DRAWING NO.			
APVD BY	N/A	E. Musselman	2833	P0011			
		T. Barben					



### CONDUIT AND WIRING NOTES

1. ELECTRICAL CLASSIFICATION - INSIDE - GENERAL PURPOSE SYSTEM IS CONFIGURED AT THE FACTORY FOR REQUIRED VOLTAGE. CONTACT FACTORY FOR VOLTAGE CHANGE REQUIREMENTS.

2. AC WIRING SHALL BE INDIVIDUAL CONDUCTORS OF STRANDED TINNED COPPER WITH 300V, TYPE TFE INSULATION. MINIMUM WIRE SIZE SHALL BE 18 AWG UNLESS OTHERWISE SPECIFIED. COLOR CODE SHALL BE AS FOLLOWS:

115V - HOT	- BLACK	230V - HOT	- BROWN
NEUTRAL	- WHITE	NEUTRAL	- BLUE
GROUND	- GREEN	GROUND	- GREEN

3. DC WIRING SHALL BE INDIVIDUAL CONDUCTORS OF STRANDED TINNED COPPER WITH 300V, TYPE TFE INSULATION. MINIMUM WIRE SIZE SHALL BE 22 AWG UNLESS OTHERWISE SPECIFIED. COLOR CODE SHALL BE AS FOLLOWS, UNLESS OTHERWISE SPECIFIED:



115V +V	RED	230V +V	RED
-V	BLUE	-V	BLACK

### RELAY BOARD NOTES

4. USER CONNECTIONS TO MOISTURE SENSOR RELAY ENERGIZED WHEN SENSOR IS DRY (DRY LED ON). RATING: 1/10HP 120VAC 5A 240VAC/32VDC RESISTIVE.

5. USER CONNECTIONS TO "AT TEMPERATURE" RELAY ENERGIZED WHEN BELOW SET TEMPERATURE (COOL LED ON). RATING: 1/10HP 120VAC 5A 240VAC/32VDC RESISTIVE.

-----  
FIELD TO WIRE

5200 Conrail Drive Carson City, NV 89705 PH:775/883-2900 FAX: (775)883-6388		H	06/22/16	Update Standard 500 Series Drawings	MW	EM
 		REV	DATE	DESCRIPTION	DWN APVD	
		REVISIONS				
MODEL 530 SAMPLE COOLER WIRING SCHEMATIC		DATE	SCALE	SIZE	SHEET	
PART NO.		FOR	NTS	D	2 OF 2	
DRAWN BY E. Musselman		APVD BY T. Barben		ECR# 2833	DRAWING NO. P0011	
NOT ISSUED		N/A				