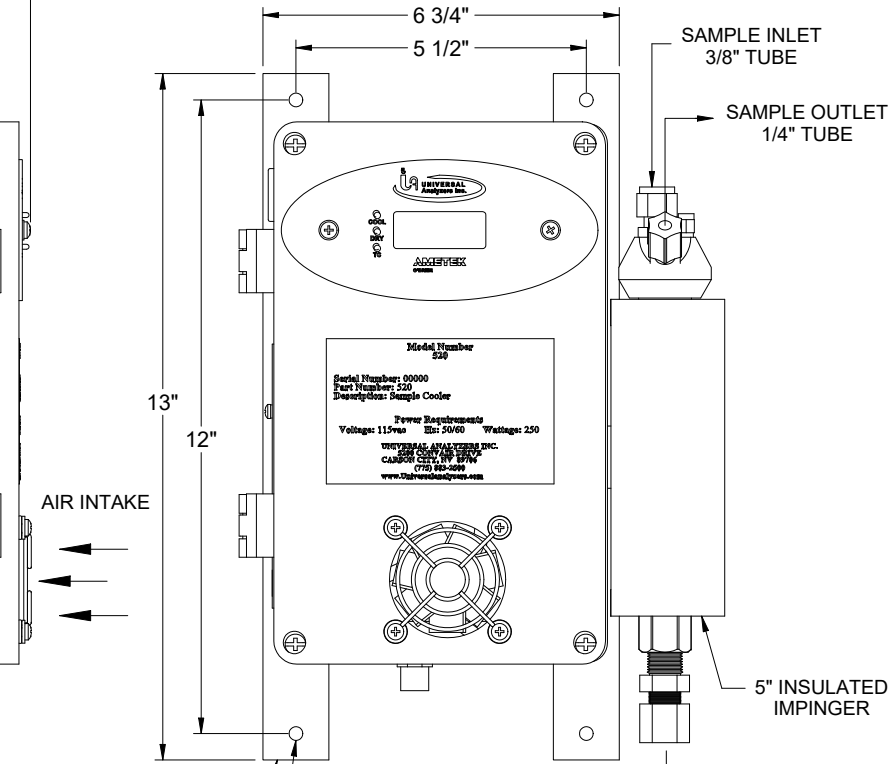
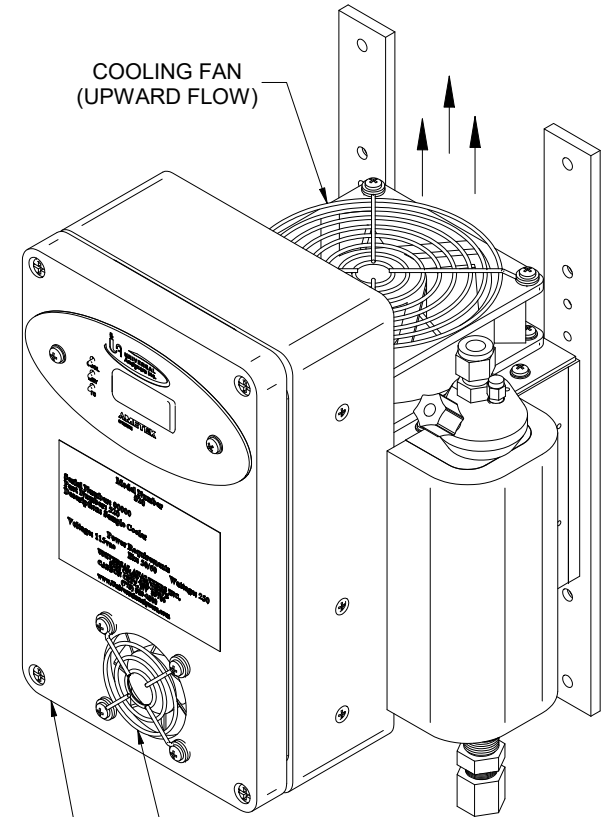


LEFT SIDE VIEW



FRONT VIEW



ISOMETRIC VIEW

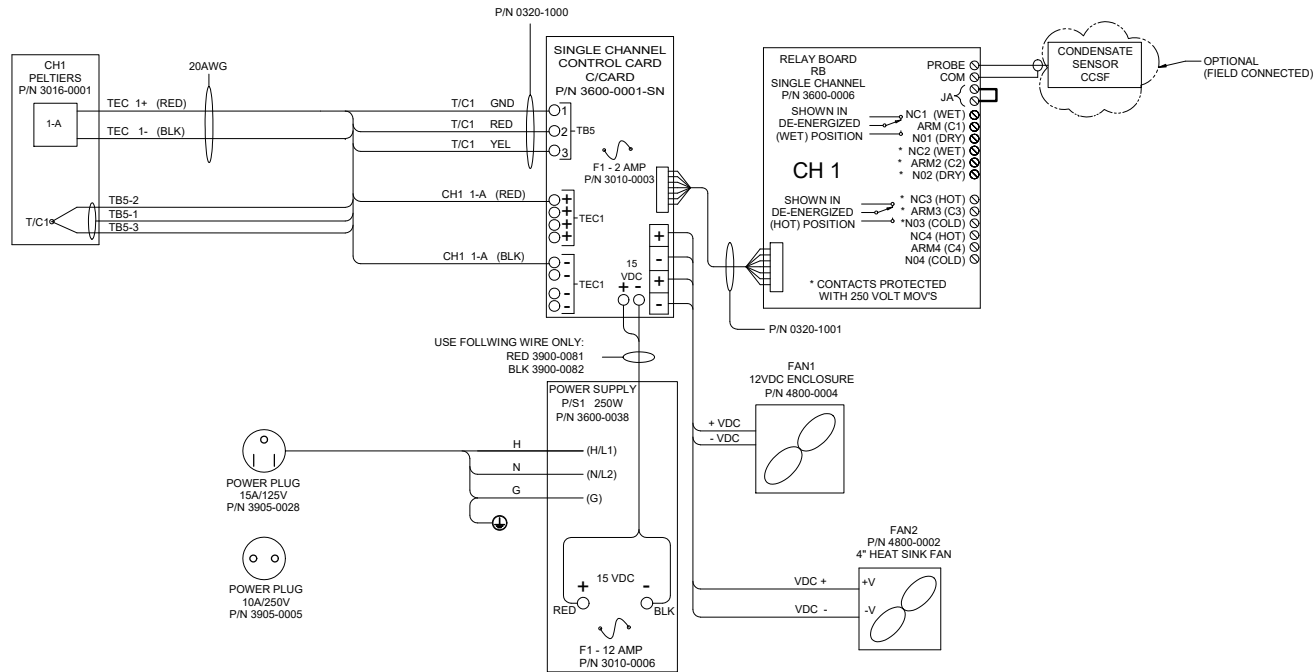
MOUNTING BRACKETS  
2 TYP

MOUNTING HOLES FOR  
1/4" HARDWARE  
(SUPPLIED BY OTHERS)  
4 TYP

NOTES:

1). SEE SHEET 2 FOR WIRING SCHEMATIC.

		L	06/22/16	Update Standard 500 Series Drawings	MW	EM
REV	DATE	DESCRIPTION			DWN APVD	
<b>MODEL 520 SAMPLE COOLER ARRANGEMENT</b>						
PART NO.	FOR	DATE	SCALE	SIZE	SHEET	
520	N/A	02/04/1992	NTS	D	1 OF 2	
DRAWN BY	FOR	ECO#	ECO#	DRAWING NO.		
APVD BY	T. Barben	2833		P0010		



**CONDUIT AND WIRING NOTES**

1. ELECTRICAL CLASSIFICATION : INSIDE - GENERAL PURPOSE SYSTEM IS CONFIGURED AT THE FACTORY FOR REQUIRED VOLTAGE. CONTACT FACTORY FOR VOLTAGE CHANGE REQUIREMENTS.

2. AC WIRING SHALL BE INDIVIDUAL CONDUCTORS OF STRANDED TINNED COPPER WITH 300V, TYPE TFE INSULATION. MINIMUM WIRE SIZE SHALL BE 18 AWG UNLESS OTHERWISE SPECIFIED. COLOR CODE SHALL BE AS FOLLOWS:

115V - HOT	- BLACK	230V - HOT	- BROWN
	NEUTRAL - WHITE		NEUTRAL - BLUE
	GROUND - GREEN		GROUND - GREEN/YELLOW

3. DC WIRING SHALL BE INDIVIDUAL CONDUCTORS OF STRANDED TINNED COPPER WITH 300V, TYPE TFE INSULATION. MINIMUM WIRE SIZE SHALL BE 22 AWG UNLESS OTHERWISE SPECIFIED. COLOR CODE SHALL BE AS FOLLOWS, UNLESS OTHERWISE SPECIFIED:

115V +V	RED	230V +V	RED
	-V		BLUE

**RELAY BOARD NOTES**

4. USER CONNECTIONS TO MOISTURE SENSOR RELAY ENERGIZED WHEN SENSOR IS DRY (DRY LED ON). RATING: 1/10HP 120VAC 5A 240VAC/32VDC RESISTIVE.

5. USER CONNECTIONS TO "AT TEMPERATURE" RELAY ENERGIZED WHEN BELOW SET TEMPERATURE (COOL LED ON). RATING: 1/10HP 120VAC 5A 240VAC/32VDC RESISTIVE.

-----  
FIELD TO WIRE

		L	06/22/16	Update Standard 500 Series Drawings	MW	EM
REV	DATE	DESCRIPTION			DWN APVD	
REVISIONS						
DATE		SCALE	SIZE	SHEET		
02/04/1992		NTS	D	2 OF 2		
DRAWN BY E. Musselman		ECO#	DRAWING NO.		P0010	
APVD BY T. Barben		2833				
PART NO.	FOR					
520	N/A					