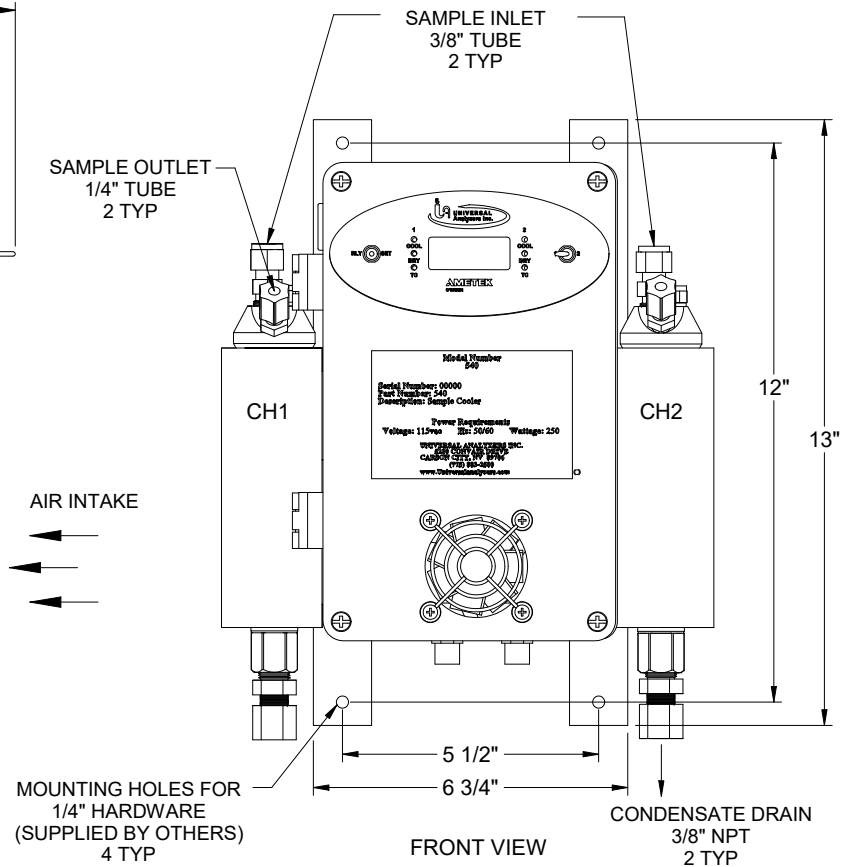
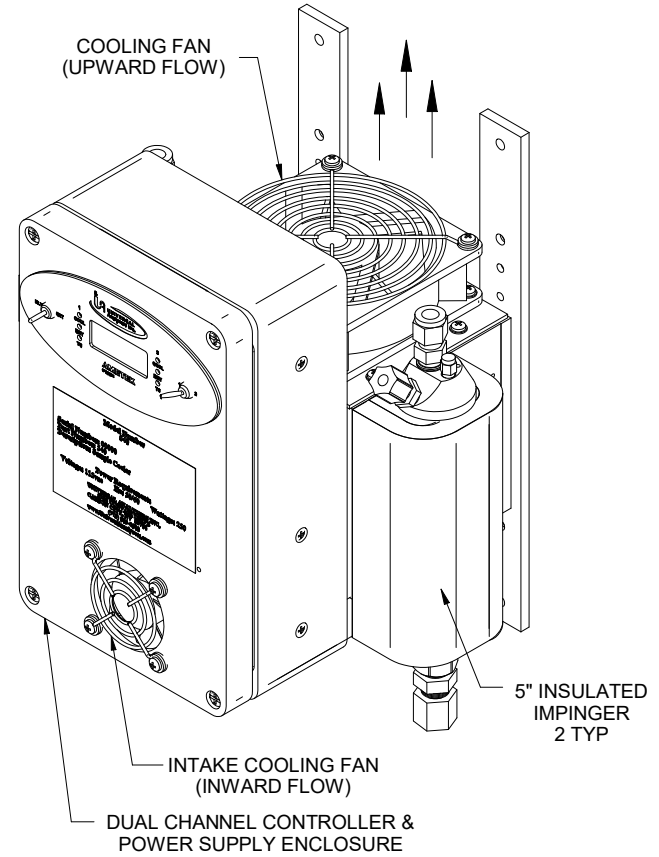


LEFT SIDE





FRONT VIEW

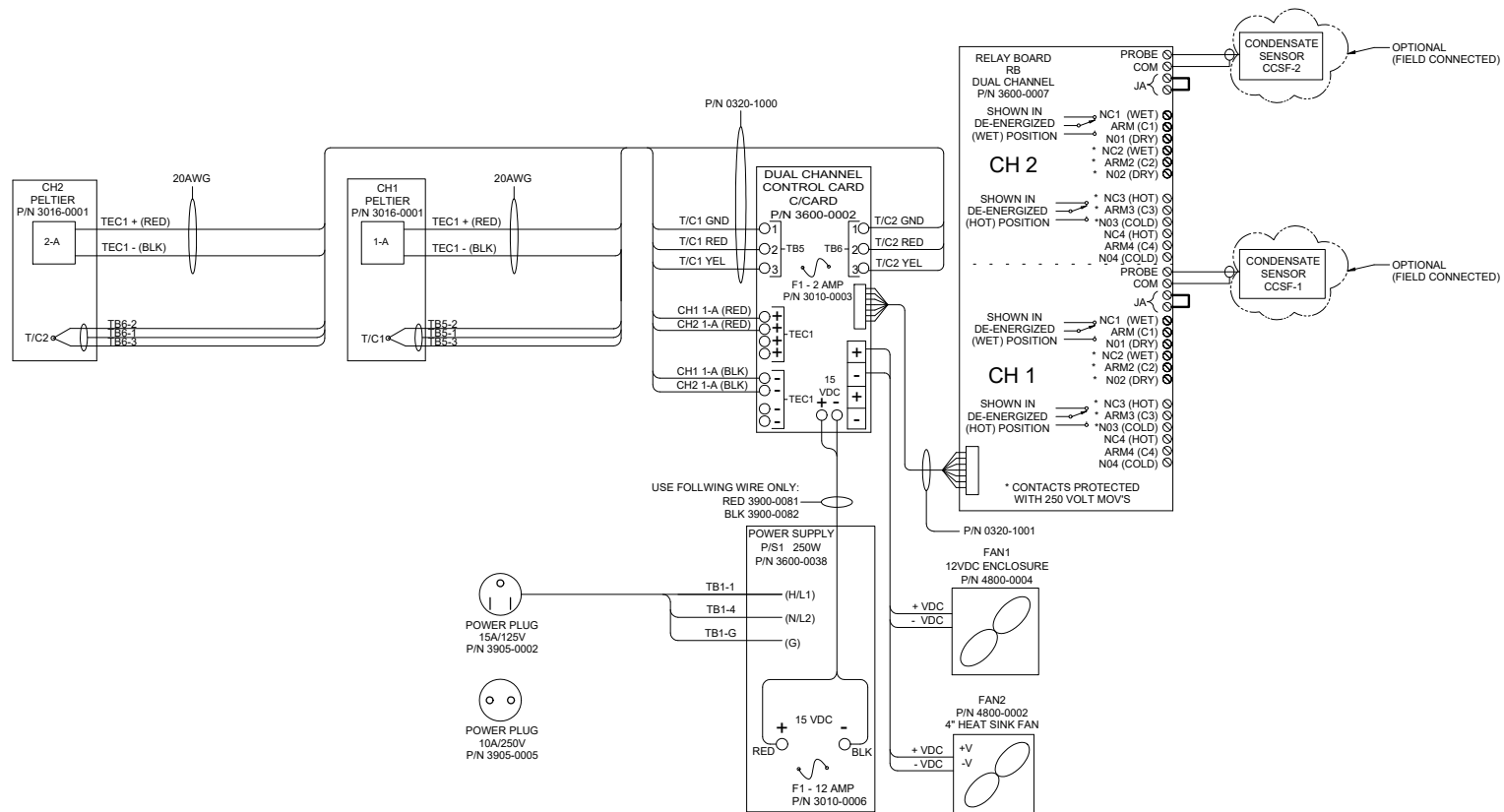


ISOMETRIC VIEW

NOTES:

- 1). SEE SHEET 2 FOR WIRING SCHEMATIC

5200 Conover Drive Carson City, NV 89706 PH:775/883-2500 FAX: (775)883-6388		H	06/22/16	Update Standard 500 Series Drawings	MW	EM
 		REV	DATE	DESCRIPTION	DWN APVD	
MODEL 540 SAMPLE COOLER ARRANGEMENT		REVISIONS				
PART NO.	FOR	DATE	SCALE	SIZE	SHEET	
540	N/A	01/27/1992	NTS	D	1 OF 2	
DRAWN BY	FOR	ECOP	DRAWING NO.		SHEET	
APVD BY	N/A	2833	P0009		1 OF 2	



CONDUIT AND WIRING NOTES

1. ELECTRICAL CLASSIFICATION : INSIDE - GENERAL PURPOSE SYSTEM IS CONFIGURED AT THE FACTORY FOR REQUIRED VOLTAGE. CONTACT FACTORY FOR VOLTAGE CHANGE REQUIREMENTS.

2. AC WIRING SHALL BE INDIVIDUAL CONDUCTORS OF STRANDED TINNED COPPER WITH 300V, TYPE TFE INSULATION. MINIMUM WIRE SIZE SHALL BE 18 AWG UNLESS OTHERWISE SPECIFIED. COLOR CODE SHALL BE AS FOLLOWS:

115V - HOT	- BLACK	230V - HOT	- BROWN
	NEUTRAL - WHITE		NEUTRAL - BLUE
	GROUND - GREEN		GROUND - GREEN/YELLOW

3. DC WIRING SHALL BE INDIVIDUAL CONDUCTORS OF STRANDED TINNED COPPER WITH 300V, TYPE TFE INSULATION. MINIMUM WIRE SIZE SHALL BE 22 AWG UNLESS OTHERWISE SPECIFIED. COLOR CODE SHALL BE AS FOLLOWS, UNLESS OTHERWISE SPECIFIED:

115V +V	RED	230V +V	RED
	-V		BLUE

RELAY BOARD NOTES

4. USER CONNECTIONS TO MOISTURE SENSOR RELAY ENERGIZED WHEN SENSOR IS DRY (DRY LED ON). RATING: 1/10HP 120VAC 5A 240VAC/32VDC RESISTIVE.

5. USER CONNECTIONS TO "AT TEMPERATURE" RELAY ENERGIZED WHEN BELOW SET TEMPERATURE (COOL LED ON). RATING: 1/10HP 120VAC 5A 240VAC/32VDC RESISTIVE.

FIELD TO WIRE

		H	06/22/16	Update Standard 500 Series Drawings	MW	EM
MODEL 540 SAMPLE COOLER WIRING SCHEMATIC		REV	DATE	DESCRIPTION	DWN APVD	
PART NO. 540		DATE 01/27/1992		REVISIONS	SCALE NTS	SIZE D
FOR N/A		DRAWN BY E. Musselman	ECOP 2833	SHEET 2 OF 2	DRAWING NO. P0009	