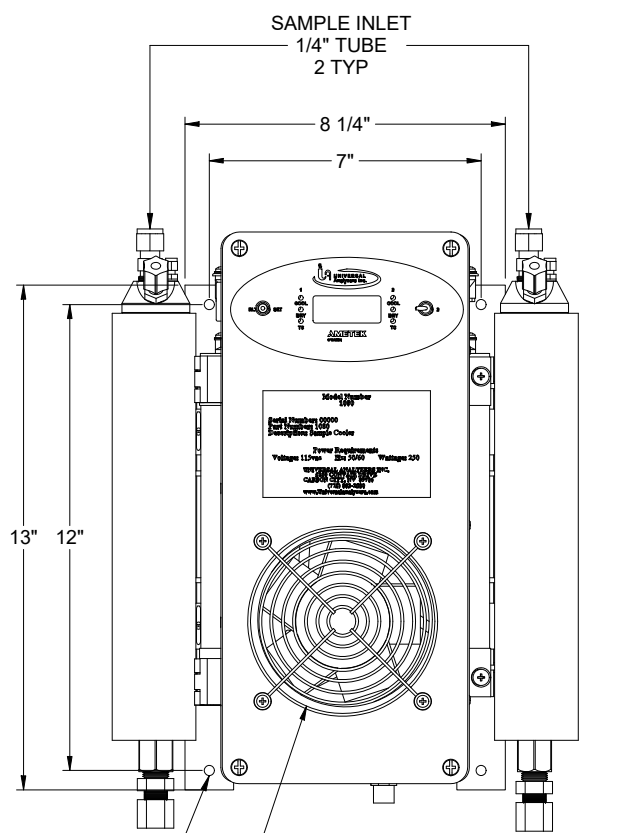
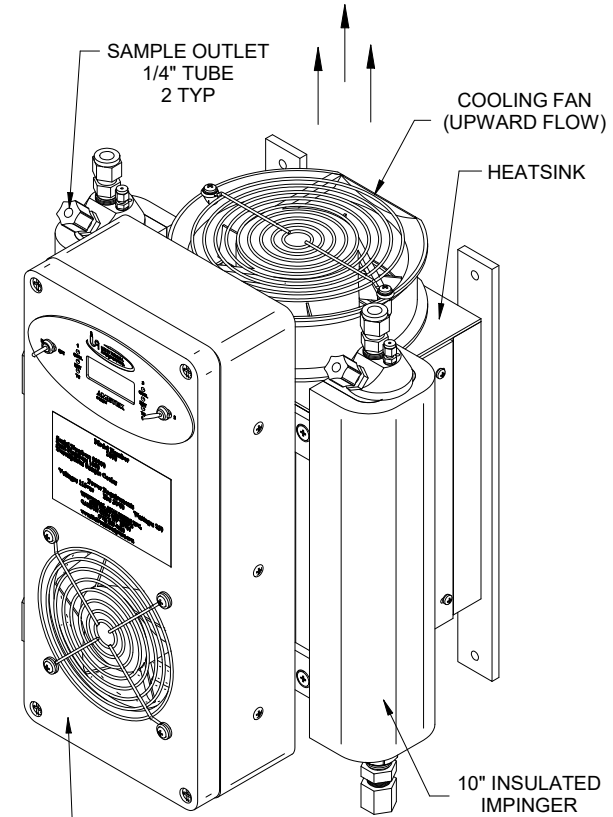


LEFT SIDE VIEW



FRONT VIEW



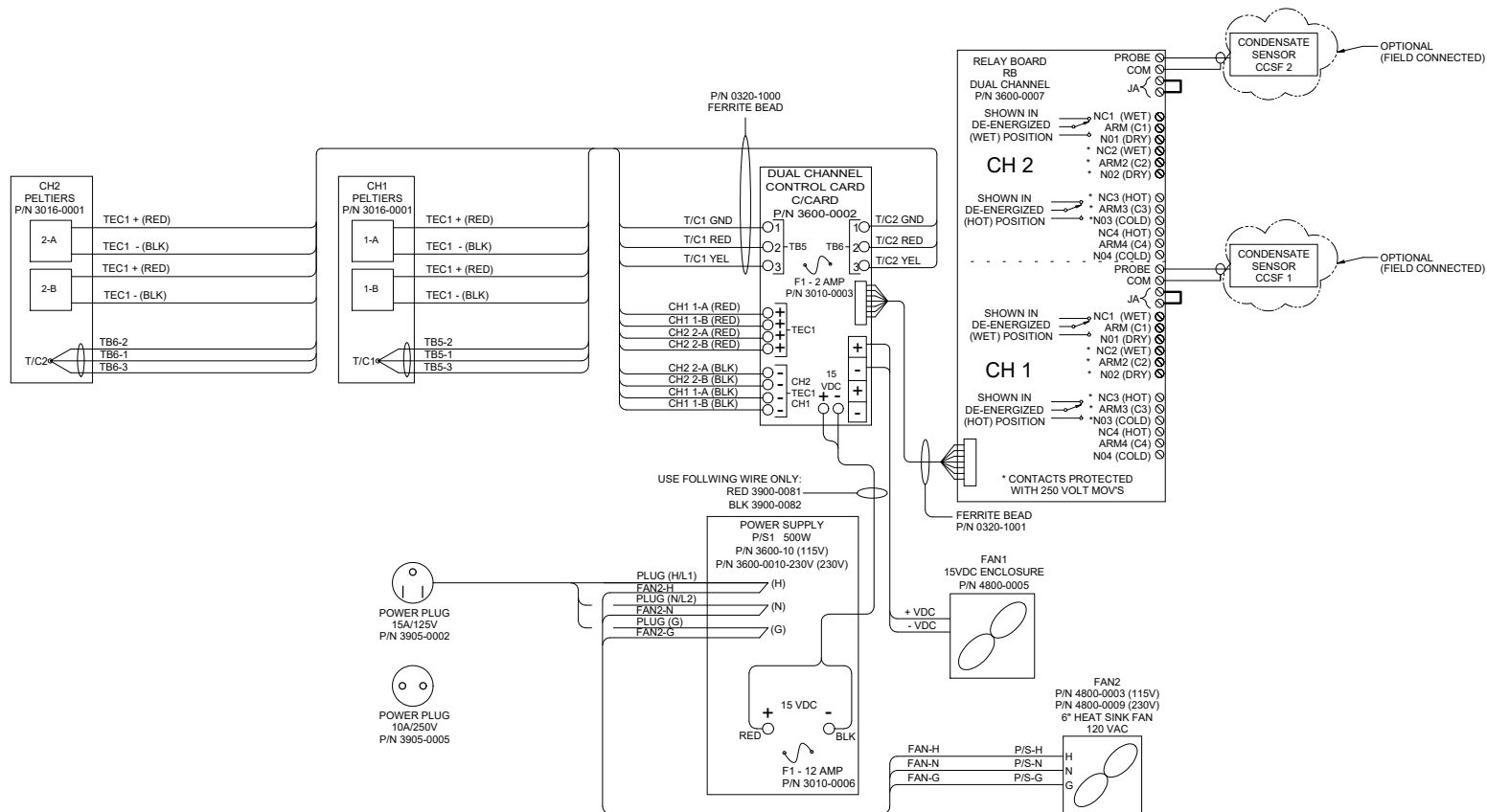
ISOMETRIC VIEW

DUAL CHANNEL CONTROLLER & POWER SUPPLY ENCLOSURE

NOTES:

- 1). SEE SHEET 2 FOR WIRING SCHEMATIC.

5200 Convar Drive Carson City, NV 89706 PH: 775/883-2900 FAX: 775/883-4388		J	07/12/16	Update Standard 1000 Series Drawings	MW	EM
		REV	DATE	DESCRIPTION	DWN APVD	
MODEL 1080 SAMPLE COOLER LAYOUT & DIMENSIONS		REVISIONS				
DATE	SCALE	NTS	SIZE	D	SHEET 1 OF 2	
09/10/1991						
DRAWN BY	E. Musselman	EC0#	284	DRAWING NO. P0005		
APVD BY	T. Barben					
PART NO.	FOR					
1080	N/A					



CONDUIT AND WIRING NOTES

1. ELECTRICAL CLASSIFICATION : INSIDE - GENERAL PURPOSE SYSTEM IS CONFIGURED AT THE FACTORY FOR REQUIRED VOLTAGE. CONTACT FACTORY FOR VOLTAGE CHANGE REQUIREMENTS.

2. AC WIRING SHALL BE INDIVIDUAL CONDUCTORS OF STRANDED TINNED COPPER WITH 300V, TYPE TFE INSULATION. MINIMUM WIRE SIZE SHALL BE 18 AWG UNLESS OTHERWISE SPECIFIED. COLOR CODE SHALL BE AS FOLLOWS:

115V - HOT - BLACK 230V - HOT - BROWN
 NEUTRAL - WHITE NEUTRAL - BLUE
 GROUND - GREEN GROUND - GREEN / YELLOW

3. DC WIRING SHALL BE INDIVIDUAL CONDUCTORS OF STRANDED TINNED COPPER WITH 300V, TYPE TFE INSULATION. MINIMUM WIRE SIZE SHALL BE 22 AWG UNLESS OTHERWISE SPECIFIED. COLOR CODE SHALL BE AS FOLLOWS, UNLESS OTHERWISE SPECIFIED:

115V +V RED 230V +V RED
 -V BLUE -V BLACK

RELAY BOARD NOTES

4. USER CONNECTIONS TO MOISTURE SENSOR RELAY ENERGIZED WHEN SENSOR IS DRY (DRY LED ON). RATING: 1/10HP 120VAC 5A 240VAC/32VDC RESISTIVE.

5. USER CONNECTIONS TO "AT TEMPERATURE" RELAY ENERGIZED WHEN BELOW SET TEMPERATURE (COOL LED ON). RATING: 1/10HP 120VAC 5A 240VAC/32VDC RESISTIVE.

 FIELD TO WIRE

5200 Conover Drive Carson City, NV 89706 PH: 775/883-2500 FAX: (775) 883-4388		J	07/12/16	Update Standard 1000 Series Drawings	MW	EM
UNIVERSAL AMETEK		REV	DATE	DESCRIPTION	DWN APVD	
MODEL 1080 SAMPLE COOLER WIRING SCHEMATIC		REVISIONS				
PART NO. 1080	FOR N/A	DATE 09/10/1991	SCALE NTS	SIZE D	SHEET 2 OF 2	
DRAWN BY E. Musselman		EC0# 2844	DRAWING NO. P0005			
APVD BY T. Barben						