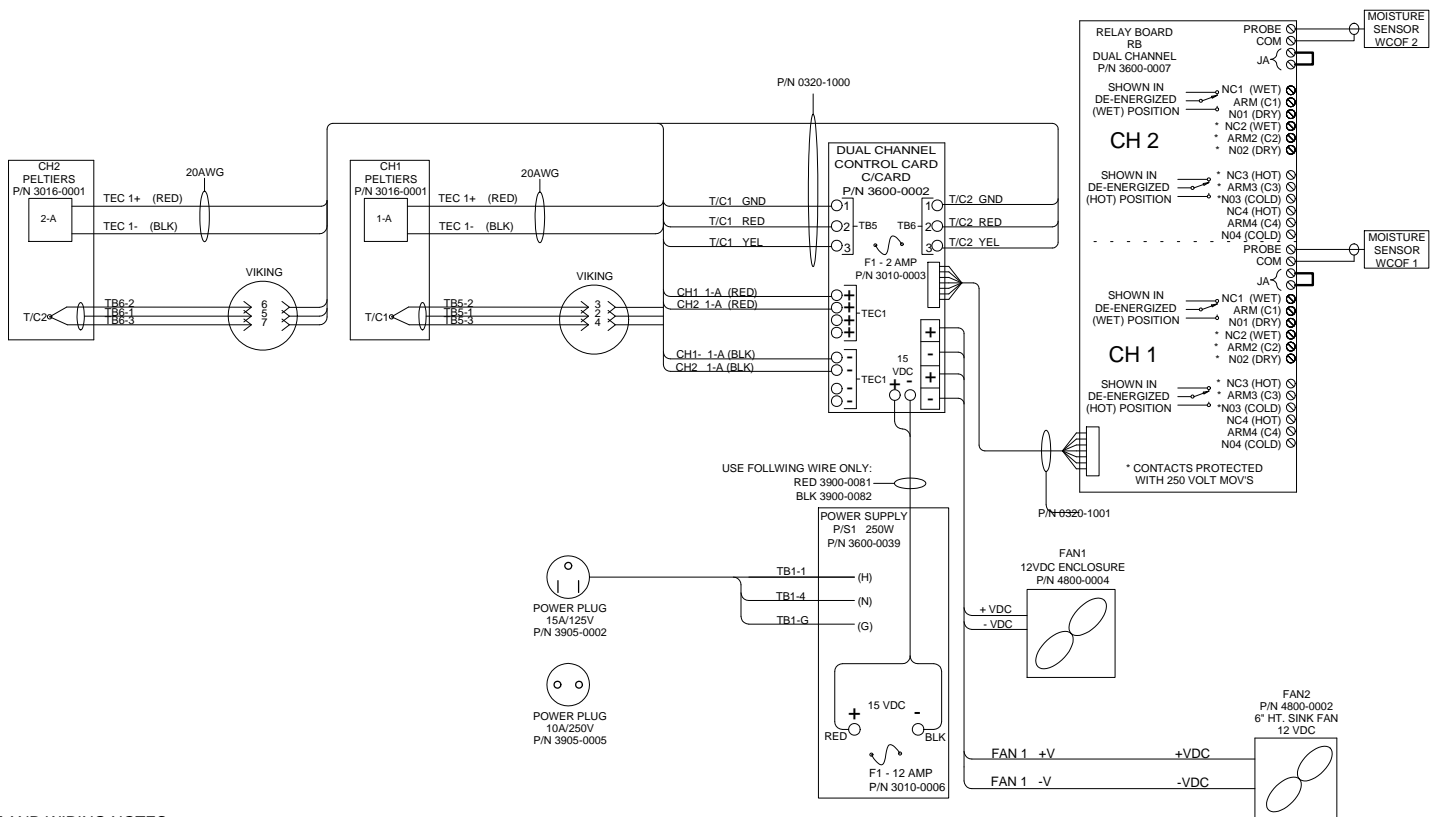


NOTES:

- ARRANGEMENT MAY VARY ACCORDING TO GOOD ENGINEERING AND ASSEMBLY PRACTICES.
- SEE SHEET 2 FOR P&ID.

UNIVERSAL ANALYZERS INC.		J 03/02/11	Show Correct 570 Layout		MW	RW
5200 Convair Drive Carson City, Nevada 89706 USA		REV	DATE	DESCRIPTION	DWN	APVD
REVISIONS						
DATE		SCALE	SIZE	SHEET		
05/12/1993		1:2	D	1 OF 2		
DRAWN BY E. Musselman		ECO#	DRAWING NO.			
APVD BY T. Barben		528	P0047			
PART NO.	FOR					
NOT ISSUED	N/A					

8 7 6 5 4 3 2 1



CONDUIT AND WIRING NOTES

1. ELECTRICAL CLASSIFICATION: INSIDE - GENERAL PURPOSE SYSTEM IS CONFIGURED AT THE FACTORY FOR REQUIRED VOLTAGE. CONTACT FACTORY FOR VOLTAGE CHANGE REQUIREMENTS.

2. AC WIRING SHALL BE INDIVIDUAL CONDUCTORS OF STRANDED TINNED COPPER WITH 300V, TYPE TFE INSULATION. MINIMUM WIRE SIZE SHALL BE 18 AWG UNLESS OTHERWISE SPECIFIED. COLOR CODE SHALL BE AS FOLLOWS:

115V - HOT	- BLACK	230V - HOT	- BROWN
NEUTRAL - WHITE		NEUTRAL - BLUE	
GROUND - GREEN		GROUND - GREEN	

3. DC WIRING SHALL BE INDIVIDUAL CONDUCTORS OF STRANDED TINNED COPPER WITH 300V, TYPE TFE INSULATION. MINIMUM WIRE SIZE SHALL BE 22 AWG UNLESS OTHERWISE SPECIFIED. COLOR CODE SHALL BE AS FOLLOWS, UNLESS OTHERWISE SPECIFIED:

115V +V	RED	230V +V	RED
-V	BLUE	-V	BLACK

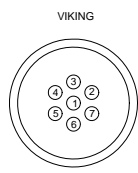
RELAY BOARD NOTES

4. USER CONNECTIONS TO MOISTURE SENSOR RELAY ENERGIZED WHEN SENSOR IS DRY (DRY LED ON). RATING: 1/10HP 120VAC 5A 240VAC/32VDC RESISTIVE.

5. USER CONNECTIONS TO 'AT TEMPERATURE' RELAY ENERGIZED WHEN BELOW SET TEMPERATURE (COOL LED ON). RATING: 1/10HP 120VAC 5A 240VAC/32VDC RESISTIVE.

FIELD TO WIRE

(SEE CONNECTOR CAVITY FOR ORIENTATION)



8 7 6 5 4 3 2 1

UNIVERSAL ANALYZERS INC. 5200 Convalt Drive Carson City, Nevada 89706 USA		J	03/02/11	Remove Amps	MW	RW
		REV	DATE	DESCRIPTION	DWN	APVD
MODEL 570 SAMPLE COOLER WIRING SCHEMATIC						
PART NO.	FOR	SCALE	SIZE	SHEET	DRAWING NO.	
NOT ISSUED	N/A	NTS	D	2 OF 2	P0047	
DRAWN BY	E. Musselman	ECO#	528			
APVD BY	T. Barben					