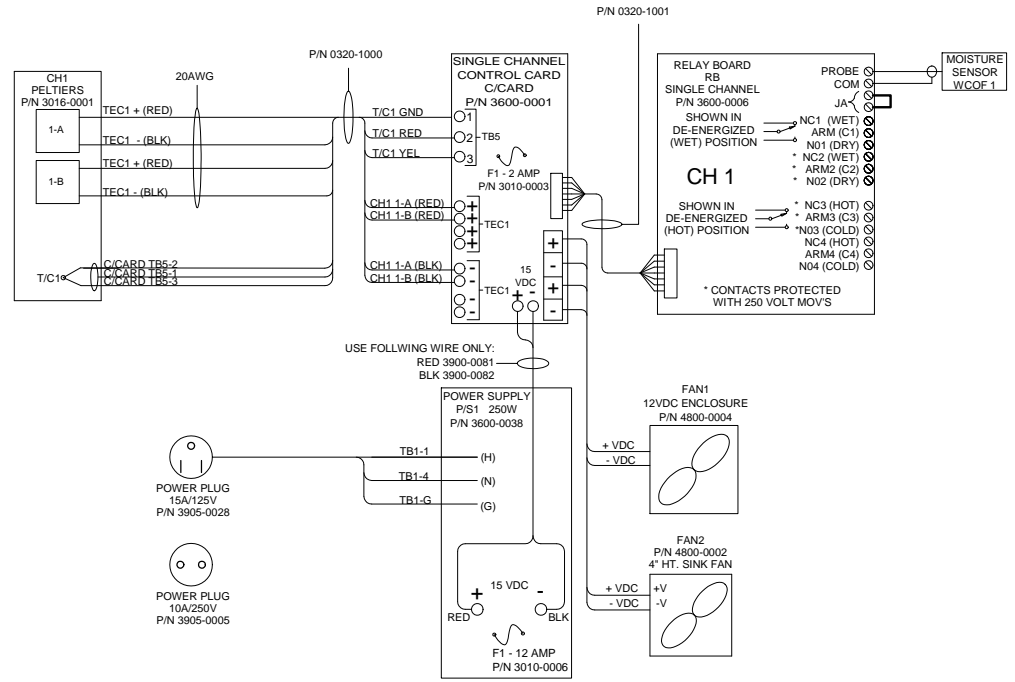


<b>UNIVERSAL ANALYZERS INC.</b>				E	02/24/12	Remove AMP Connector	MW	RW
5200 Convair Drive Carson City, Nevada 89706 USA				REV	DATE	DESCRIPTION	DWN	APVD
<b>MODEL 560 SAMPLE COOLER</b>				REVISIONS				
<b>WIRING SCHEMATIC</b>				DATE	SCALE	SIZE	SHEET	
PART NO. 560				FOR N/A	11/05/2002	NTS	D	1 OF 2
DRAWN BY E. Musselman				ECO#	466		DRAWING NO. P0654	
APVD BY T. Barben								

8 7 6 5 4 3 2 1



**CONDUIT AND WIRING NOTES**

1. ELECTRICAL CLASSIFICATION: INSIDE - GENERAL PURPOSE SYSTEM IS CONFIGURED AT THE FACTORY FOR REQUIRED VOLTAGE. CONTACT FACTORY FOR VOLTAGE CHANGE REQUIREMENTS.

2. AC WIRING SHALL BE INDIVIDUAL CONDUCTORS OF STRANDED TINNED COPPER WITH 300V, TYPE TFE INSULATION. MINIMUM WIRE SIZE SHALL BE 18 AWG UNLESS OTHERWISE SPECIFIED. COLOR CODE SHALL BE AS FOLLOWS:

115V - HOT - BLACK      230V - HOT - BROWN  
 NEUTRAL - WHITE      NEUTRAL - BLUE  
 GROUND - GREEN      GROUND - GREEN/YELLOW

3. DC WIRING SHALL BE INDIVIDUAL CONDUCTORS OF STRANDED TINNED COPPER WITH 300V, TYPE TFE INSULATION. MINIMUM WIRE SIZE SHALL BE 22 AWG UNLESS OTHERWISE SPECIFIED. COLOR CODE SHALL BE AS FOLLOWS, UNLESS OTHERWISE SPECIFIED:

115V +V RED      230V +V RED  
 -V BLUE      -V BLACK

**RELAY BOARD NOTES**

4. USER CONNECTIONS TO MOISTURE SENSOR RELAY ENERGIZED WHEN SENSOR IS DRY (DRY LED ON). RATING: 1/10HP 120VAC 5A 240VAC/32VDC RESISTIVE.

5. USER CONNECTIONS TO 'AT TEMPERATURE' RELAY ENERGIZED WHEN BELOW SET TEMPERATURE (COOL LED ON). RATING: 1/10HP 120VAC 5A 240VAC/32VDC RESISTIVE.

-----  
 FIELD TO WIRE

8 7 6 5 4 3 2 1

<b>UNIVERSAL ANALYZERS INC.</b> 5200 Convoir Drive Carson City, Nevada 89706 USA		E	02/24/12	Remove AMP Connector	MW	RW
		REV	DATE	DESCRIPTION	DWN	APVD
<b>MODEL 560 SAMPLE COOLER</b> <b>WIRING SCHEMATIC</b>						
PART NO.	FOR	DATE	SCALE	SIZE	SHEET	
560	N/A	11/05/2002	NTS	D	2 OF 2	
DRAWN BY	APVD BY	ECO#	466	DRAWING NO.		
	T. Barben			<b>P0654</b>		