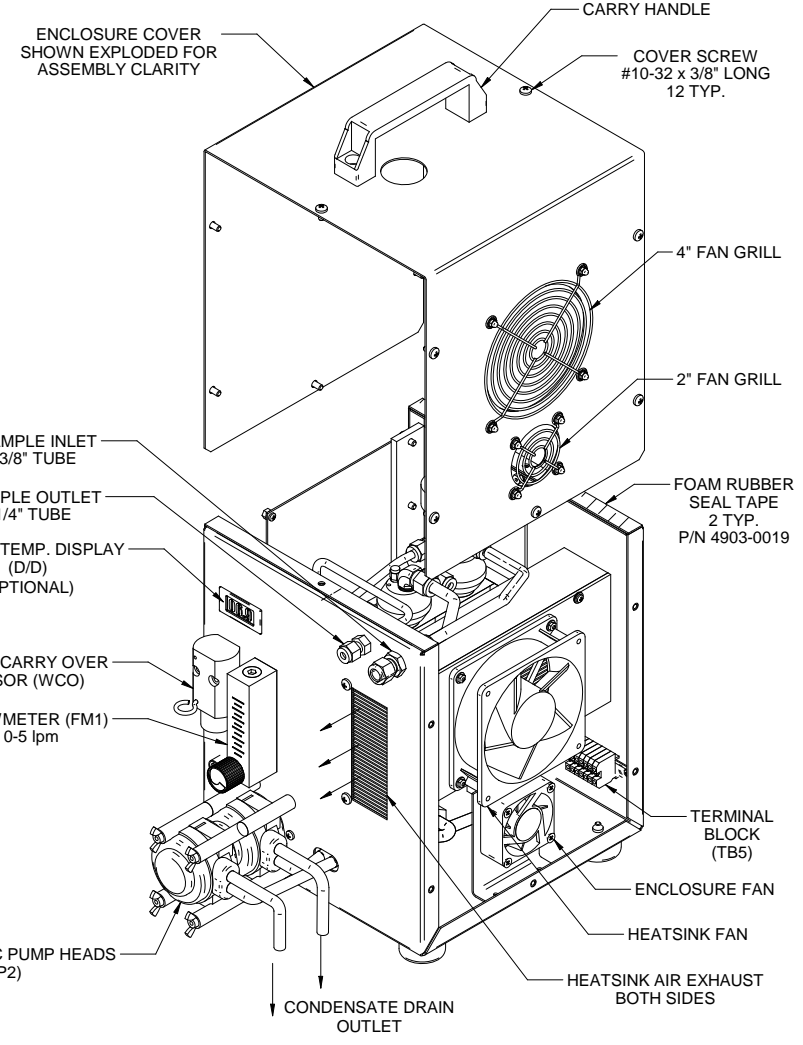
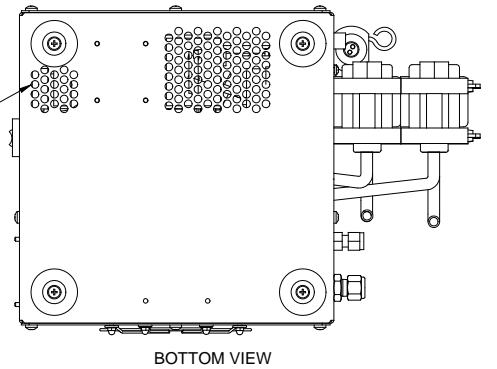
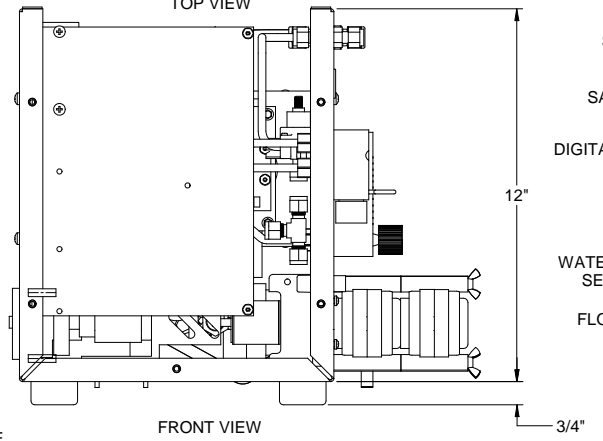
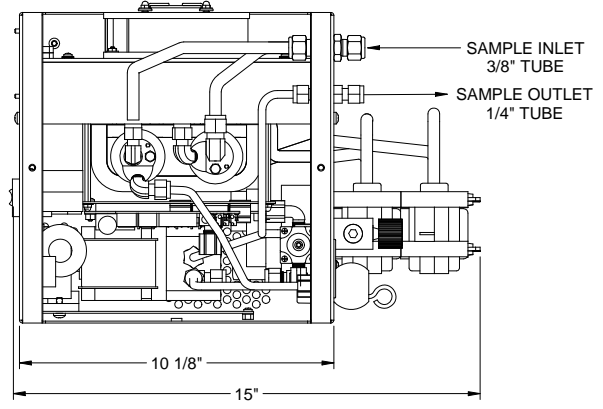
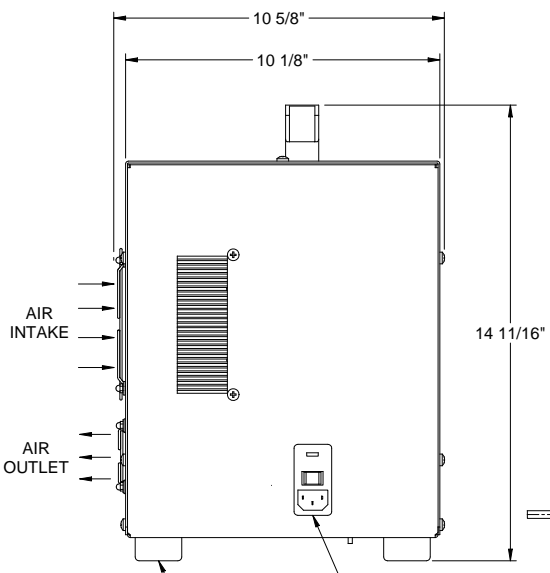


PART NUMBER MATRIX

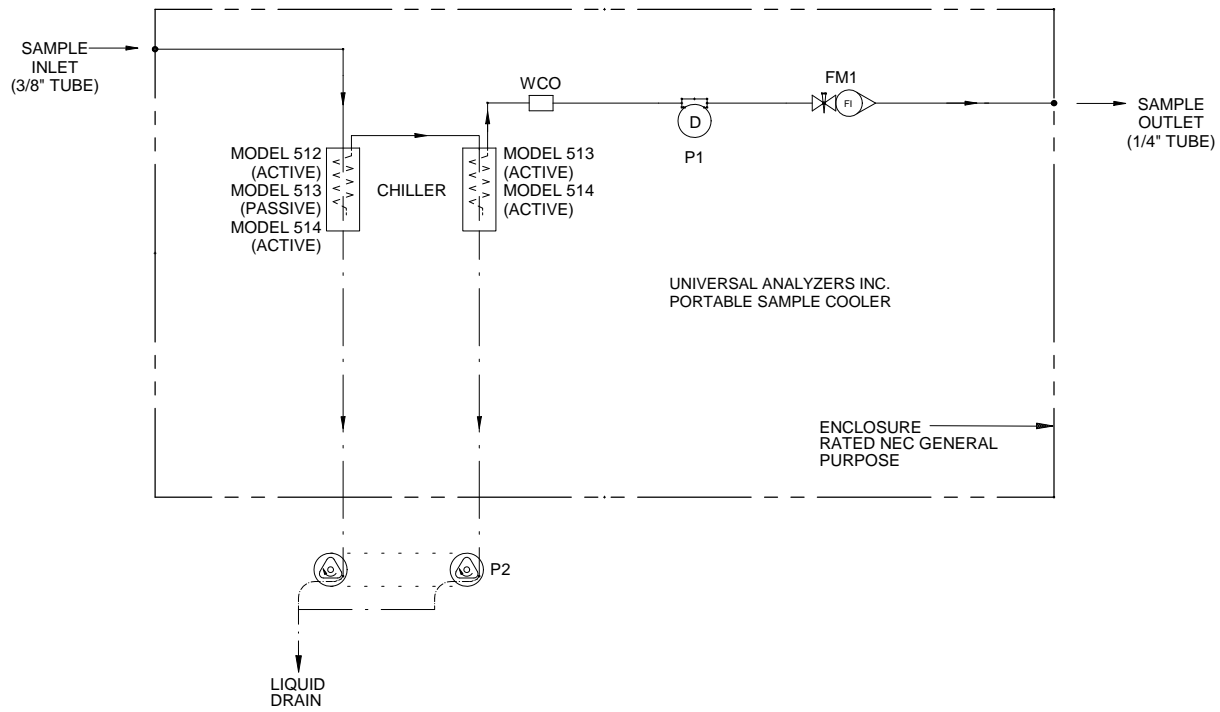
512 C

MODEL #	# OF IMPINGERS	ACTIVE / PASSIVE	IMPINGER MATERIAL
512	1	(1) ACTIVE	C HASTELLOY C
513	2	(1) ACTIVE (1) PASSIVE	PV GLASS / KYNAR
514	2	(2) ACTIVE	SS STAINLESS STEEL
			ST TEFLON COATED STAINLESS STEEL



- VIEWS ARE SHOWN IN MODEL 514 CONFIGURATION.
- COVER REMOVED ON THE FRONT AND TOP VIEWS TO SHOWN INTERIOR.
- SEE SHEET 2 FOR P & ID.
- SEE SHEET 3 FOR ELECTRICAL SCHEMATIC.

<b>UNIVERSAL ANALYZERS INC.</b>		K	06/16/09	Show Enclosure Fan	RW	DA
5200 Convoir Drive Carson City, Nevada 89706 USA		REV	DATE	DESCRIPTION	DWN	APVD
Model 512, 513 & 514 Layout & Dimensions		DATE	04/01/2003	REVISIONS	SCALE	SIZE
PART NO.	FOR	DRAWN BY	R. Harder	DRAWING NO.	1:2	SHEET
SEE TABLE	Sample Cooler, Portable 115 VAC	APVD BY	T. Barben	P0703		1 OF 3



Item	Qty	Description	UAI Part No.
WCO	1	Water Carry Over Sensor Kynar Panel Mount	6020-0005
P1	1	Sample Pump - Micro Dia-Vac 115Vac Alum/TFE Single Head	4958-0118
P2	1	Peristaltic Drain Pump - 115Vac Single Head (Model 512)	4958-0027
P2	1	Peristaltic Drain Pump - 115Vac Dual Head (Model 513 & 514)	4958-0057
FM1	1	Flowmeter w/ Needle Valve 0-5 l/m	4965-0008
CHILLER	1	Universal Analyzers Model 512, 513, 514 PV or S.S.	0000-0000

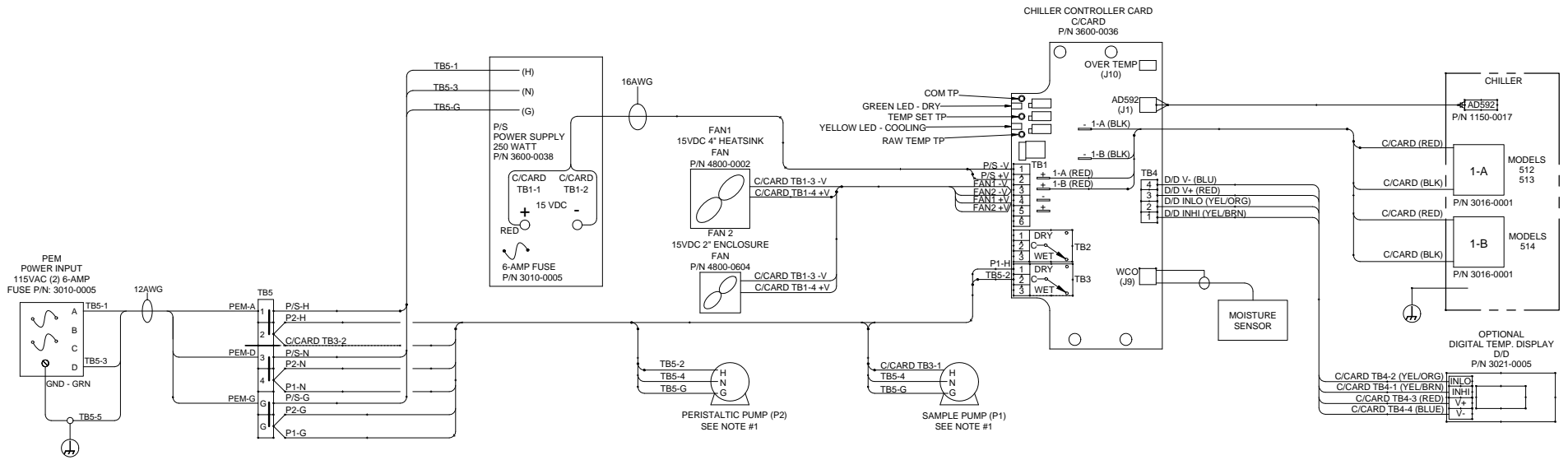
Model #	# of Impingers	Active/Passive
512	1	(1) Active
513	2	(1) Active (1) Passive
514	2	(2) Active

**UNIVERSAL ANALYZERS INC.**  
 5200 Convair Drive  
 Carson City, Nevada 89706 USA

K	06/16/09	Revised Per Sheet 1	RW	DA
REV	DATE	DESCRIPTION	DWN	APVD
DATE		REVISIONS		
04/01/2003	SCALE	SIZE	SHEET	
	NTS	D	2 OF 3	
PART NO.	FOR	DRAWN BY	DRAWING NO.	
SEE TABLE	Sample Cooler, Portable 115 VAC	R. Harder	P0703	
		APVD BY	T. Barben	

**CONDUIT AND WIRING NOTES**

- ELECTRICAL AREA CLASSIFICATION: INSIDE - GENERAL PURPOSE SYSTEM IS CONFIGURED AT THE FACTORY FOR REQUIRED VOLTAGE. CONTACT FACTORY FOR VOLTAGE CHANGE REQUIREMENTS
- AC WIRING SHALL BE INDIVIDUAL CONDUCTORS OF STRANDED TINNED COPPER WITH 300V, TYPE TFE INSULATION. MINIMUM WIRE SIZE SHALL BE 18 AWG  
 COLOR CODE SHALL BE AS FOLLOWS:  
 115VAC  
 HOT - BLACK  
 NEUTRAL - WHITE  
 GROUND - GREEN
- DC CONTROL WIRING SHALL BE INDIVIDUAL CONDUCTORS OF STRANDED TINNED COPPER WITH 300V, TYPE TFE INSULATION. MINIMUM WIRE SIZE SHALL BE 18 AWG.  
 COLOR CODE SHALL BE AS FOLLOWS:  
 + RED  
 - BLUE
- DC SIGNAL WIRING SHALL BE INDIVIDUAL CONDUCTORS OF STRANDED TINNED COPPER WITH 300V, TYPE TFE INSULATION. MINIMUM WIRE SIZE SHALL BE 18 AWG.  
 COLOR CODE SHALL BE AS FOLLOWS:  
 COMMON - YELLOW  
 SWITCH - YELLOW



<b>UNIVERSAL ANALYZERS INC.</b> 5200 Convoir Drive Carson City, Nevada 89706 USA		K	06/16/09	Add Enclosure Fan	RW	DA
Model 512, 513 & 514 Electrical Schematic		REV	DATE	DESCRIPTION	DWN	APVD
PART NO. FOR SEE TABLE		DATE	04/01/2003	REVISIONS	SCALE	SIZE
DRAWN BY R. Harder		APVD BY	T. Barben	DESCRIPTION	NTS	D
FOR Sample Cooler, Portable 115 VAC		DRAWING NO. P0703		SIZE	3 OF 3	SHEET