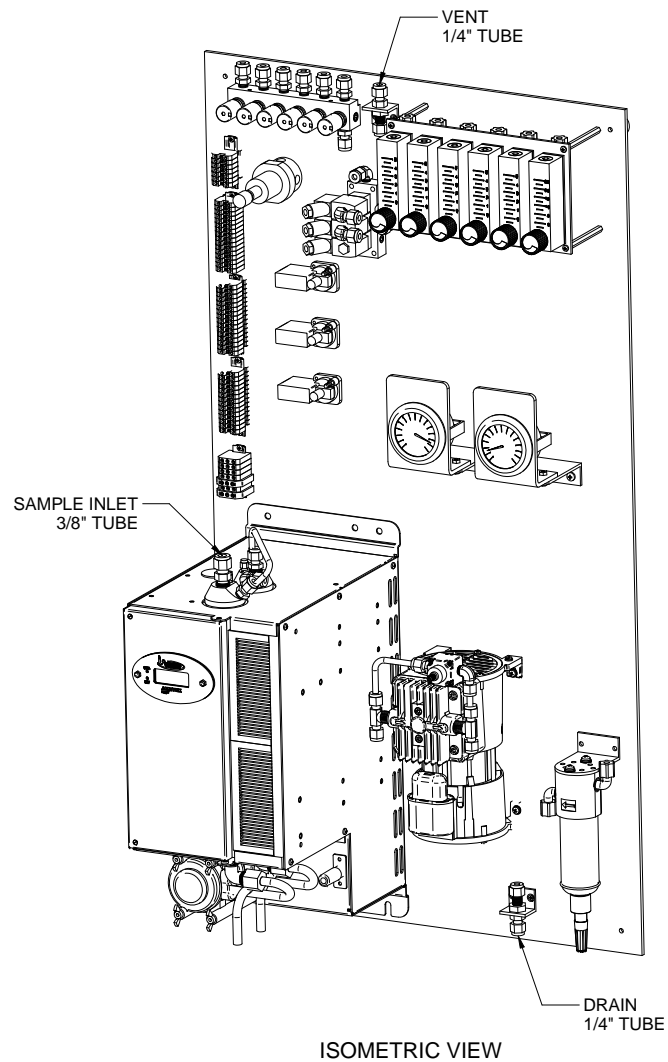
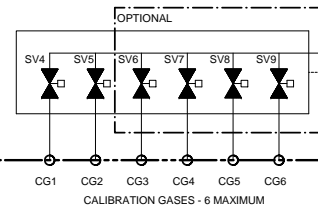
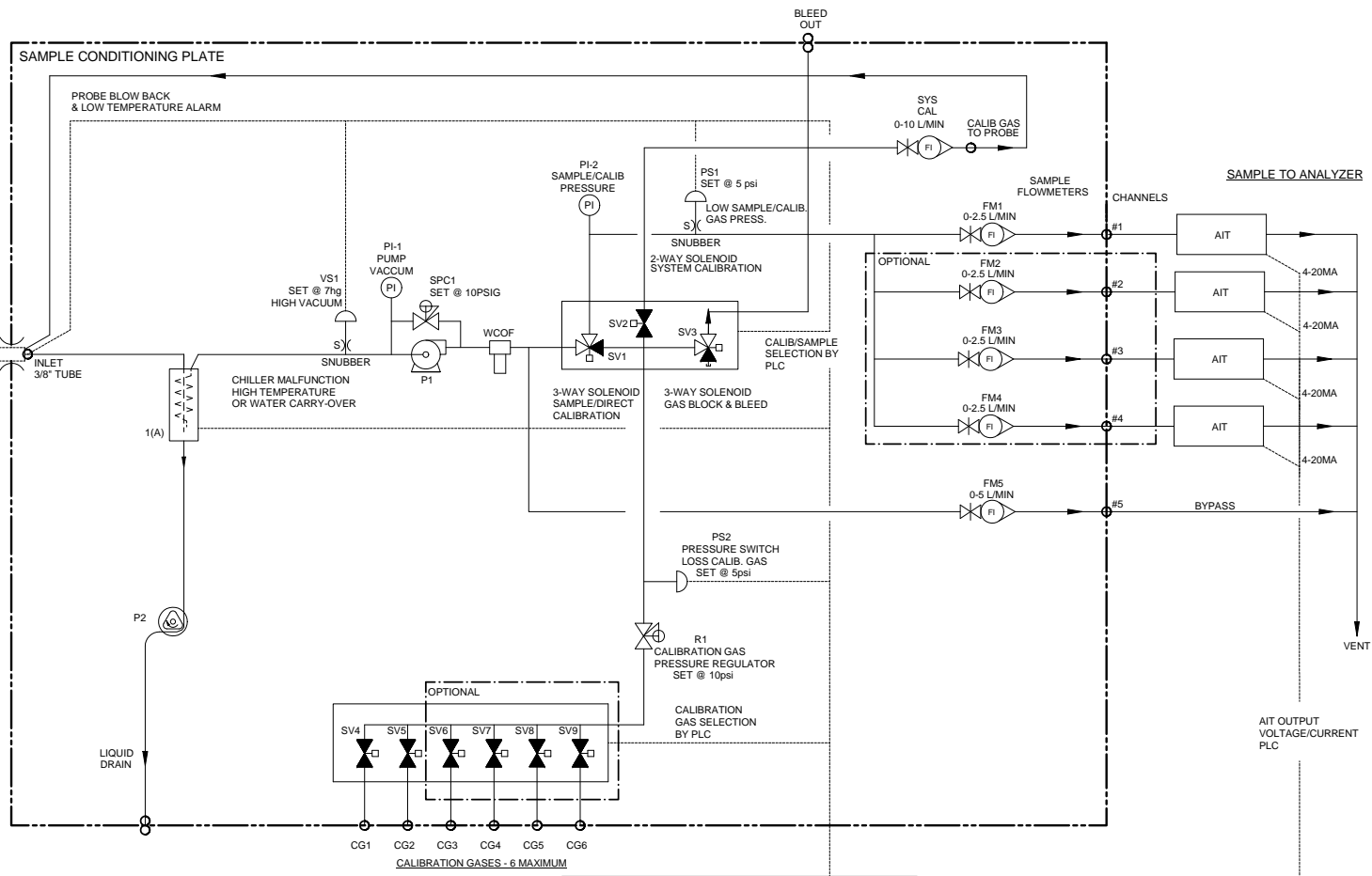
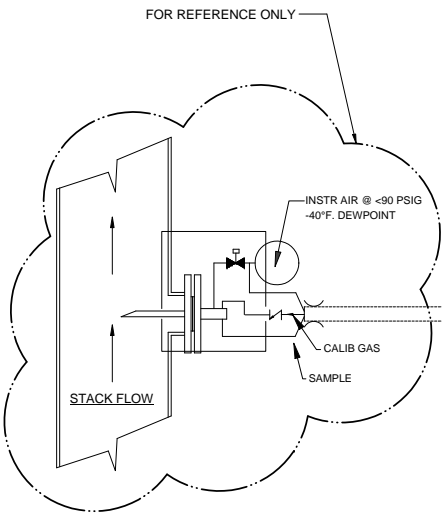


FRONT VIEW



ISOMETRIC VIEW

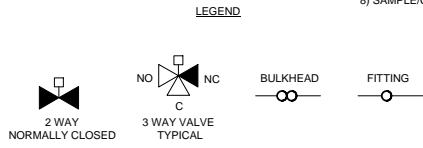
		- 09/18/13		Initial Release		MY	MW
REV	DATE	DESCRIPTION				DWN	APVD
REVISIONS							
DATE	SCALE	NTS	SIZE	SHEET		1 OF 5	
09/19/2013			D	P2011			
PART NO.		FOR		DRAWN BY	ECCO	DRAWING NO.	
3000-SCP-INT		3000 Series		M. Walser	1801	P2011	
				APVD BY	M. Withrow		



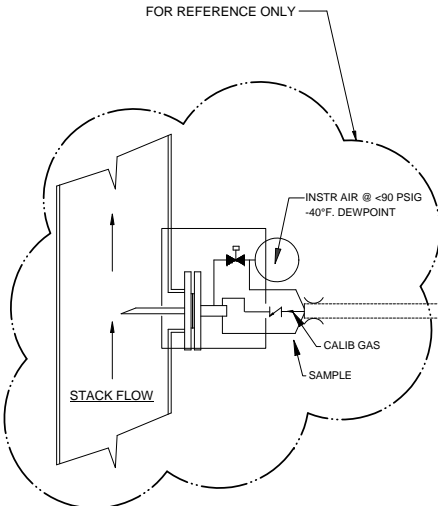
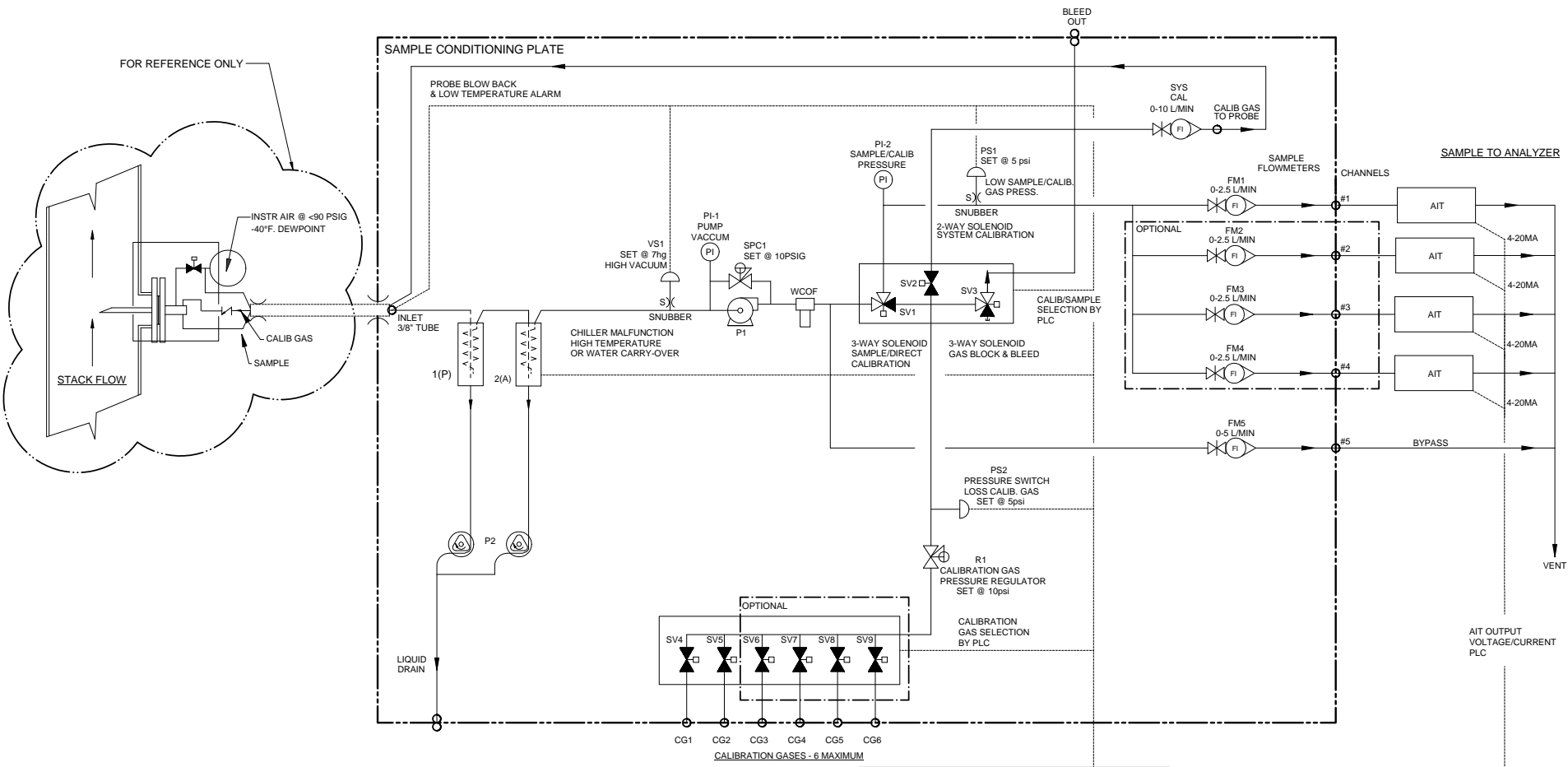
- PLC OR DATA LOGGER**
- 1) CALIBRATION/SAMPLE SELECT
 - 2) CALIBRATION GAS SELECT
 - 3) SYSTEM/DIRECT CALIBRATION SELECT-SYSTEM BIAS CALCULATION
 - 4) PROBE BLOW BACK
 - 5) PROBE LOW TEMPERATURE ALARM
 - 6) CHILLER MALFUNCTION-HIGH TEMPERATURE OR WATER CARRY-OVER
 - 7) HIGH INLET VACUUM - PROBE FILTER INITIATE BLOWBACK OR MAINTENANCE
 - 8) SAMPLE/CALIB. GAS PRESS LOW-ALARM FOR MAINTENANCE

NOTES:
 1. ALL FITTINGS 1/4" TUBE (UNLESS OTHERWISE NOTED).

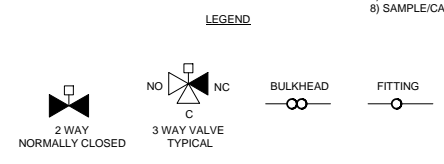
Item	Qty	Description	UAI Part No.
VS1	1	Vacuum Switch Air-Logic 0-29"hg	3103-0017
WCOF	1	Water Carry Over Moisture Sensor	WCOF-4980-0007
PI-1	1	Gauge - Vacuum 0-30"Hg Liquid Filled S.S.	3019-0009
SPC1	1	Sample Pressure Controller	4955-0246
P1	1	Pump - Sample 115Vac Single Head	4958-0025
P1	1	Pump - Sample 230Vac Single Head	4958-0015
PS1,2	2	Pressure Switch Air-Logic F-5100-15 15psig	3103-0018
SV1,3	2	Solenoid Valve - Burkert 6012SER	4955-0041
SV2	1	Solenoid Valve - Burkert 6011SER 85psig	4955-0040
SV4-9	2-6	Solenoid Valve - 2 Way	4955-0247
PI-2	1	Gauge - Pressure 0-15psig Liquid Filled S.S.	3019-0008
SYS CAL	1	Flowmeter W/Needle Valve 0-10 l/m	4965-0007
FM1-4	4	Flowmeter W/Needle Valve 0-2.5 l/m	4965-0018
FM5	1	Flowmeter W/Needle Valve 0-5 l/m	4965-0008
CHILLER	1	Universal Analyzers Model 3040	3040 - 115Vac
CHILLER	1	Universal Analyzers Model 3040	3040 - 230Vac
R1	1	Regulator - Porter Model #8268 0-30psig	8200-0008
S1	1	Snubber - #6-32	0000-0000
P2	1	Pump - Peristaltic Drain 115Vac	4958-0028
P2	1	Pump - Peristaltic Drain 230Vac	4958-0045



		5000 Corvair Drive Carson City, NV 89706 PH(775)883-2500 FAX (775)883-6888 09/18/13 Initial Release MY MW
Model SCP W/ 3040 P&ID		REV DATE DESCRIPTION 09/19/2013 NTS REVISIONS DATE SCALE SIZE SHEET 09/19/2013 NTS D 2 OF 5 DRAWN BY M. Walser ECOF APVD BY M. Withrow 1801 P2011
PART NO. 3000-SCP-INT	FOR 3000 Series	DRAWING NO. P2011



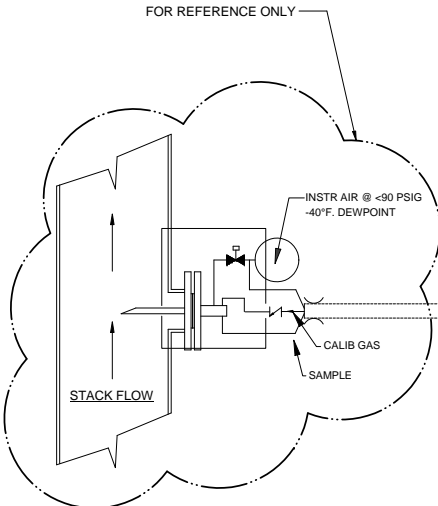
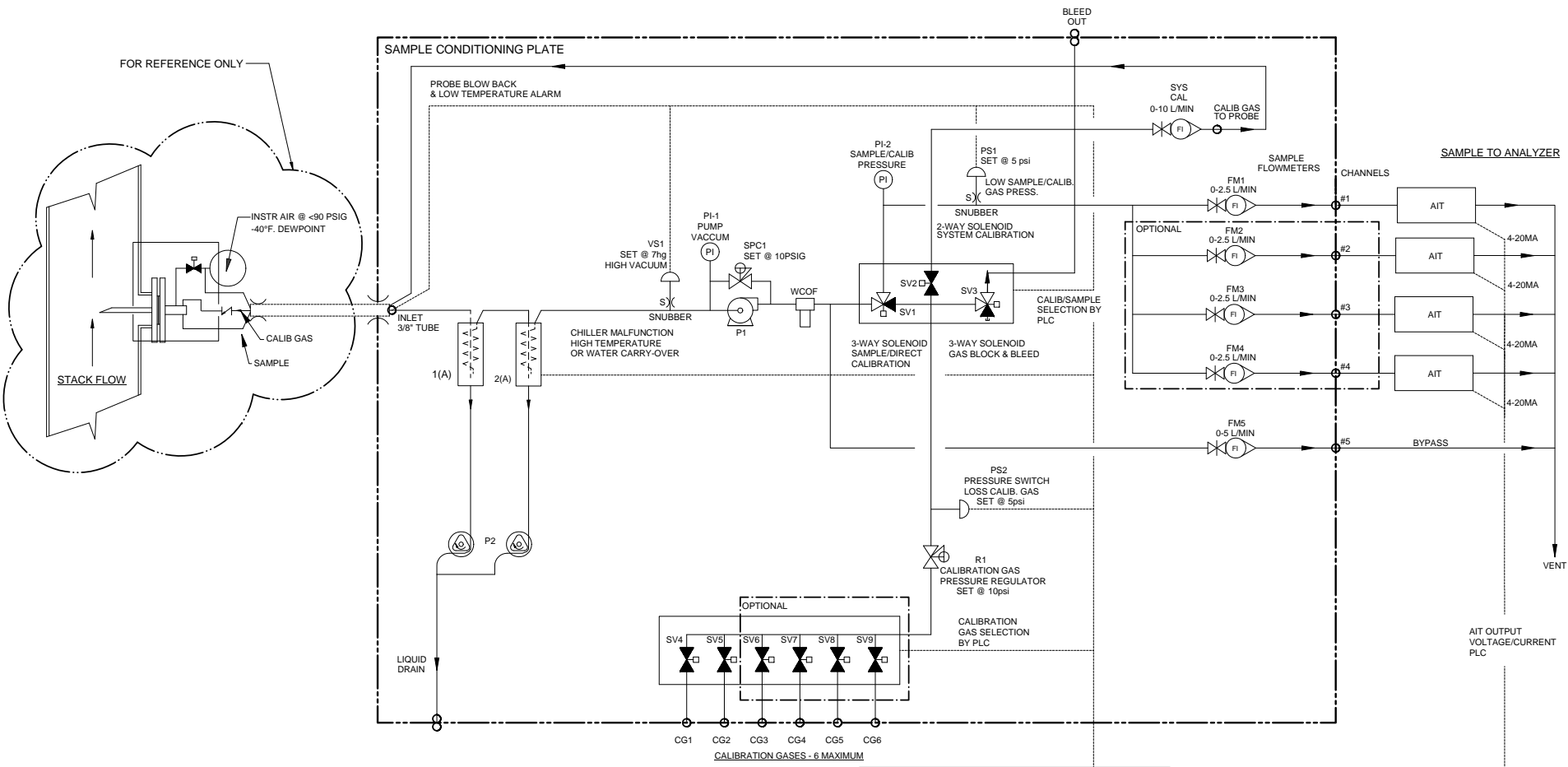
Item	Qty	Description	UAI Part No.
VS1	1	Vacuum Switch Air-Logic 0-29"hg	3103-0017
WCOF	1	Water Carry Over Moisture Sensor	WCOF-4980-0007
PI-1	1	Gauge - Vacuum 0-30"Hg Liquid Filled S.S.	3019-0009
SPC1	1	Sample Pressure Controller	4955-0246
P1	1	Pump - Sample 115Vac Single Head	4958-0025
P1	1	Pump - Sample 230Vac Single Head	4958-0015
PS1,2	2	Pressure Switch Air-Logic F-5100-15 15psig	3103-0018
SV1,3	2	Solenoid Valve - Burkert 6012SER	4955-0041
SV2	1	Solenoid Valve - Burkert 6011SER 85psig	4955-0040
SV4-9	2-6	Solenoid Valve 2 Way	4955-0247
PI-2	1	Gauge - Pressure 0-15psig Liquid Filled S.S.	3019-0008
SYS CAL	1	Flowmeter W/Needle Valve 0-10 l/m	4965-0007
FM1-4	4	Flowmeter W/Needle Valve 0-2.5 l/m	4965-0018
FM5	1	Flowmeter W/Needle Valve 0-5 l/m	4965-0008
CHILLER	1	Universal Analyzers Model 3050	3050 - 115Vac
CHILLER	1	Universal Analyzers Model 3050	3050 - 230Vac
R1	1	Regulator - Porter Model #8268 0-30psig	8200-0008
S1	1	Snubber - #6-32	0000-0000
P2	1	Pump - Peristaltic Drain 115Vac	4958-0028
P2	1	Pump - Peristaltic Drain 230Vac	4958-0045



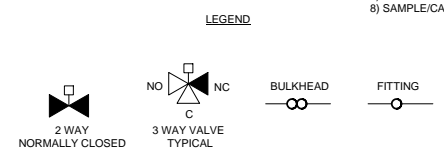
- PLC OR DATA LOGGER**
- 1) CALIBRATION/SAMPLE SELECT
 - 2) CALIBRATION GAS SELECT
 - 3) SYSTEM/DIRECT CALIBRATION SELECT-SYSTEM BIAS CALCULATION
 - 4) PROBE BLOW BACK
 - 5) PROBE LOW TEMPERATURE ALARM
 - 6) CHILLER MALFUNCTION-HIGH TEMPERATURE OR WATER CARRY-OVER
 - 7) HIGH INLET VACUUM - PROBE FILTER INITIATE BLOWBACK OR MAINTENANCE
 - 8) SAMPLE/CALIB. GAS PRESS LOW-ALARM FOR MAINTENANCE

NOTES:
 1. ALL FITTINGS 1/4" TUBE (UNLESS OTHERWISE NOTED).

		5000 Corvair Drive Carson City, NV 89706 PH(775)883-2500 FAX (775)883-6888 09/18/13 Initial Release MY MW
Model SCP W/ 3050 P&ID		REV. DATE DESCRIPTION 09/19/2013 MTS DWN/APVD REVISIONS
PART NO. 3000-SCP-INT	FOR 3000 Series	DATE 09/19/2013 SCALE NTS SIZE D SHEET 3 OF 5 DRAWN BY M. Walser ECHOE APVD BY M. Withrow 1801 P2011



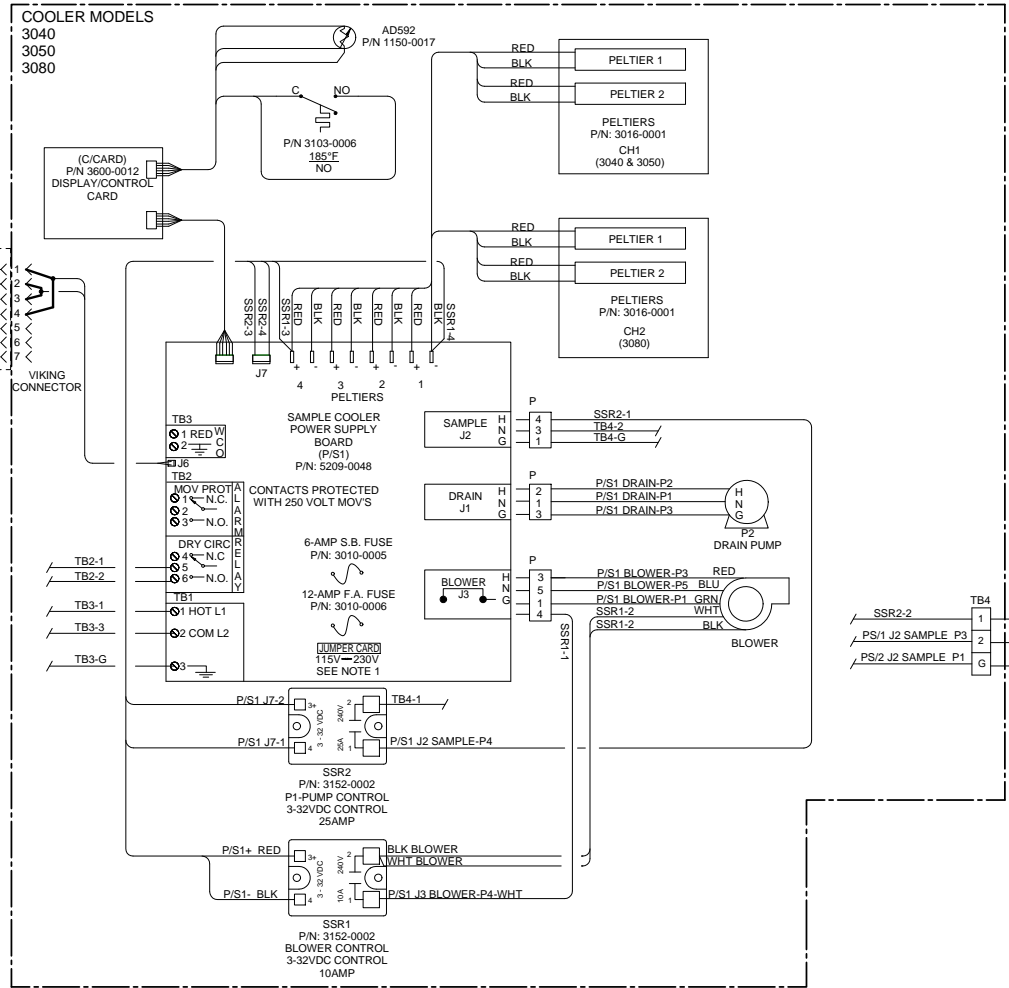
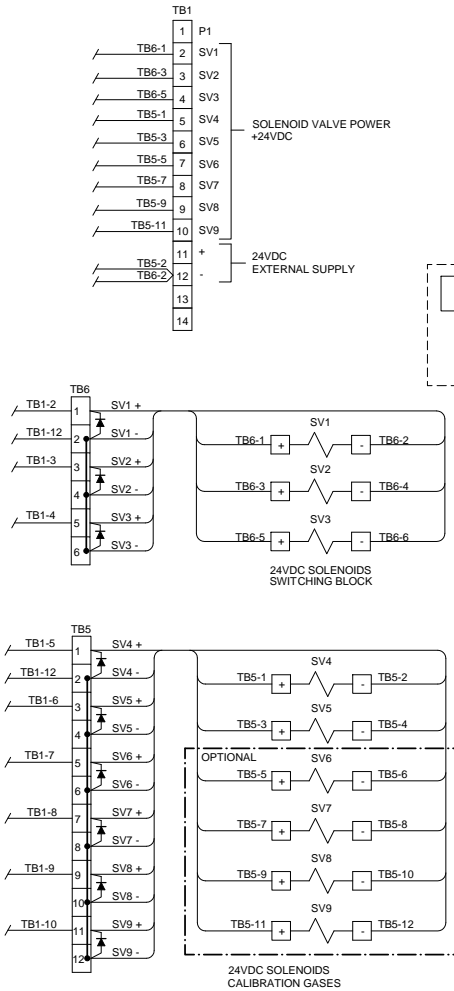
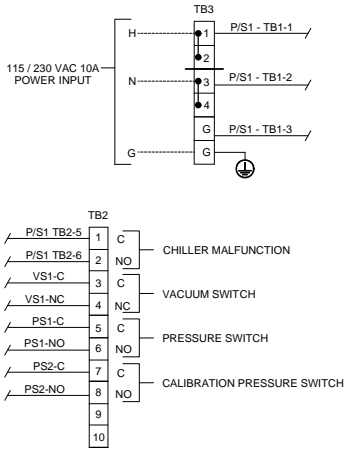
Item	Qty	Description	UAI Part No.
VS1	1	Vacuum Switch Air-Logic 0-29"hg	3103-0017
WCOF	1	Water Carry Over Moisture Sensor	WCOF-4980-0007
PI-1	1	Gauge - Vacuum 0-30"Hg Liquid Filled S.S.	3019-0009
SPC1	1	Sample Pressure Controller	4955-0246
P1	1	Pump - Sample 115Vac Single Head	4958-0025
P1	1	Pump - Sample 230Vac Single Head	4958-0015
PS1,2	2	Pressure Switch Air-Logic F-5100-15 15psig	3103-0018
SV1,3	2	Solenoid Valve - Burkert 6012SER	4955-0041
SV2	1	Solenoid Valve - Burkert 6011SER 85psig	4955-0040
SV4-9	2-6	Solenoid Valve - 2 Way	4955-0247
PI-2	1	Gauge - Pressure 0-15psig Liquid Filled S.S.	3019-0008
SYS CAL	1	Flowmeter W/Needle Valve 0-10 l/m	4965-0007
FM1-4	4	Flowmeter W/Needle Valve 0-2.5 l/m	4965-0018
FM5	1	Flowmeter W/Needle Valve 0-5 l/m	4965-0008
CHILLER	1	Universal Analyzers Model 3080	3080 - 115Vac
CHILLER	1	Universal Analyzers Model 3080	3080 - 230Vac
R1	1	Regulator - Porter Model #8268 0-30psig	8200-0008
S1	1	Snubber - #6-32	0000-0000
P2	1	Pump - Peristaltic Drain 115Vac	4958-0028
P2	1	Pump - Peristaltic Drain 230Vac	4958-0045



- PLC OR DATA LOGGER**
- 1) CALIBRATION/SAMPLE SELECT
 - 2) CALIBRATION GAS SELECT
 - 3) SYSTEM/DIRECT CALIBRATION SELECT-SYSTEM BIAS CALCULATION
 - 4) PROBE BLOW BACK
 - 5) PROBE LOW TEMPERATURE ALARM
 - 6) CHILLER MALFUNCTION-HIGH TEMPERATURE OR WATER CARRY-OVER
 - 7) HIGH INLET VACUUM - PROBE FILTER INITIATE BLOWBACK OR MAINTENANCE
 - 8) SAMPLE/CALIB. GAS PRESS LOW-ALARM FOR MAINTENANCE

NOTES:
 1. ALL FITTINGS 1/4" TUBE (UNLESS OTHERWISE NOTED).

		5000 Corvair Drive Carson City, NV 89706 PH(775)883-2500 FAX (775)883-6888	- 09/18/13 Initial Release	MY MW
Model SCP W/ 3080 P&ID		REV. DATE DESCRIPTION	REVISIONS	
PART NO. 3000-SCP-INT	FOR 3000 Series	DATE 09/19/2013	SCALE NTS	SIZE D
		DRAWN BY M. Walser	ECHO	SHEET 4 OF 5
		APVD BY M. Withrow	1801	DRAWING NO. P2011



CONDUIT AND WIRING NOTES

1. ELECTRICAL CLASSIFICATION : INSIDE - GENERAL PURPOSE SYSTEM IS CONFIGURED AT THE FACTORY FOR REQUIRED VOLTAGE. CONTACT FACTORY FOR VOLTAGE CHANGE REQUIREMENTS.

2. AC WIRING SHALL BE INDIVIDUAL CONDUCTORS OF STRANDED TINNED COPPER WITH 300V, TYPE TFE INSULATION. MINIMUM WIRE SIZE SHALL BE 18 AWG UNLESS OTHERWISE SPECIFIED. COLOR CODE SHALL BE AS FOLLOWS:

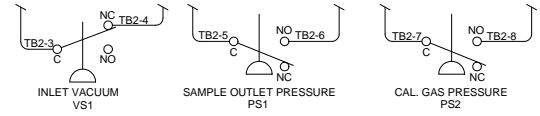
115VAC		230VAC	
HOT	- BLACK	L1	- BROWN
NEUTRAL	- WHITE	L2	- BLUE
GROUND	- GREEN	G	- GREEN

3. DC WIRING SHALL BE INDIVIDUAL CONDUCTORS OF STRANDED TINNED COPPER WITH 300V, TYPE TFE INSULATION. MINIMUM WIRE SIZE SHALL BE 22 AWG UNLESS OTHERWISE SPECIFIED.

115VAC		230VAC	
+VDC	- RED	+VDC	- RED
0V	- BLUE	-VDC	- BLACK

COLOR CODE SHALL BE AS FOLLOWS: +V - RED +VDC - RED
0V - BLUE -VDC - BLACK

FIELD TO WIRE



		- 09/18/13 Initial Release		MY	MW
REV	DATE	DESCRIPTION		DWN/APVD	
REVISIONS					
DATE		SCALE	SIZE	SHEET	
09/19/2013		NTS	D	5 OF 5	
DRAWN BY		ECHO		DRAWING NO.	
M. Walser		M. Withrow		P2011	
APVD BY		1801			
PART NO.		FOR			
3000-SCP-INT		3000 Series			

**3000 Series
Wiring Schematic**

FOR 3000 Series