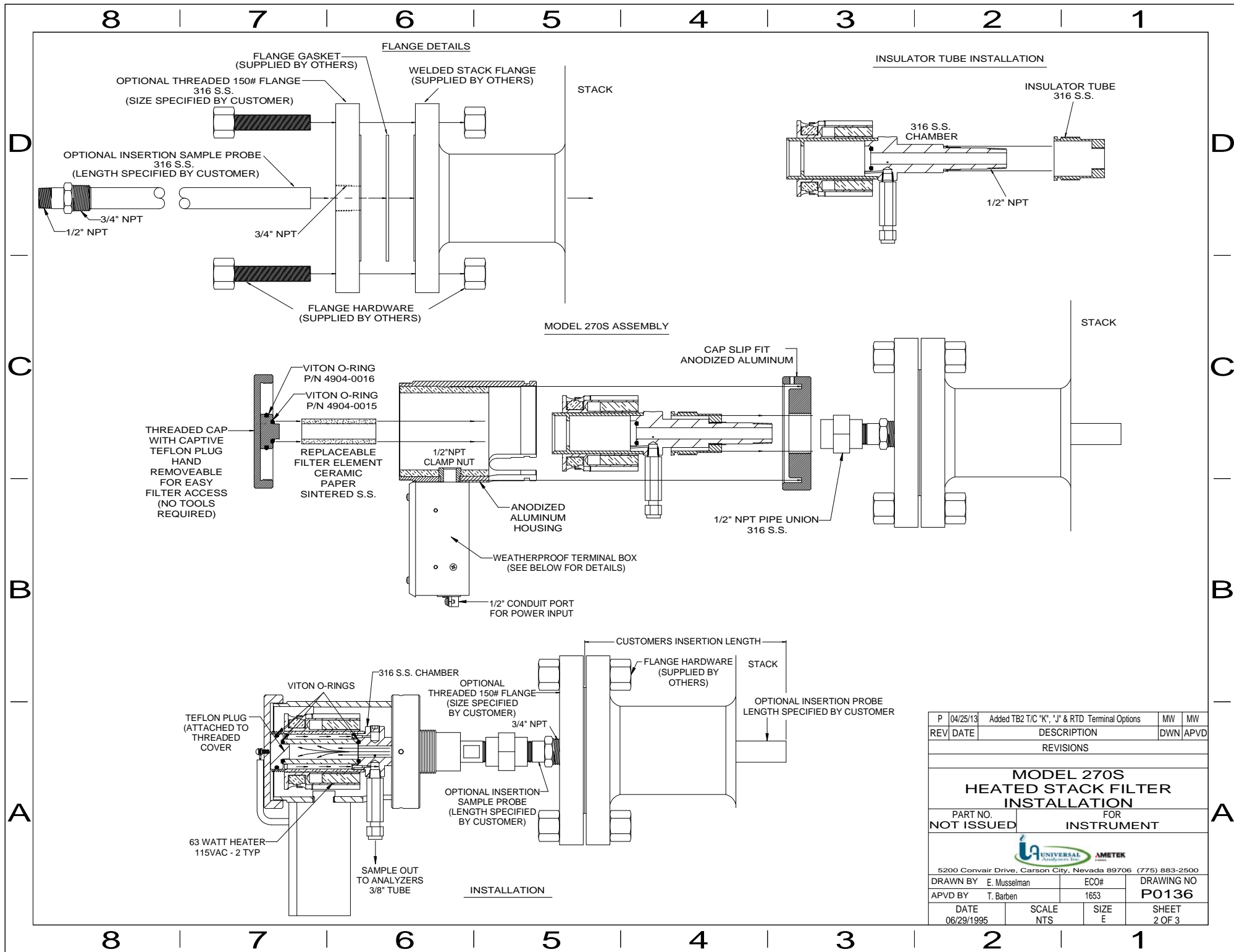


- NOTES:**
- 1). SEE SHEET 2 FOR COMPLETE ASSEMBLY DETAILS AND WIRING DATA.
 - 2). TO BE INSTALLED IN AN UNCLASSIFIED LOCATION. ALSO AVAILABLE IN AN FM APPROVED CLASS 1 DIVISION 2 VERSION.

P	04/25/13	Added TB2 T/C "K", "J" & RTD Terminal Options	MW	MW
REV	DATE	DESCRIPTION	DWN	APVD
REVISIONS				
MODEL 270S HEATED STACK FILTER OUTLINE				
PART NO. NOT ISSUED		FOR INSTRUMENT		
5200 Convair Drive, Carson City, Nevada 89706 (775) 883-2500				
DRAWN BY E. Musselman		ECO# 1653		DRAWING NO P0136
APVD BY T. Barben				
DATE 06/29/1995		SCALE NTS		SIZE E
				SHEET 1 OF 3



P	04/25/13	Added TB2 T/C "K", "J" & RTD Terminal Options	MW	MW
REV	DATE	DESCRIPTION	DWN	APVD
REVISIONS				

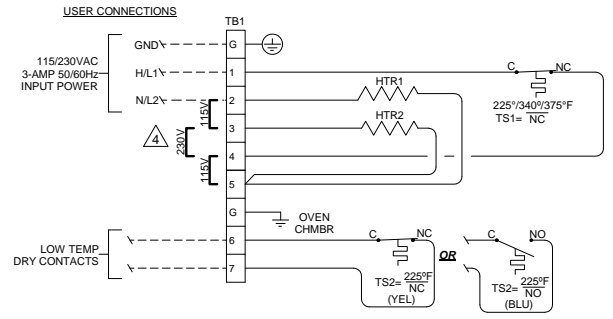
**MODEL 270S
HEATED STACK FILTER
INSTALLATION**

PART NO. _____ FOR _____
NOT ISSUED INSTRUMENT

5200 Convair Drive, Carson City, Nevada 89706 (775) 883-2500			
DRAWN BY	E. Musselman	ECO#	DRAWING NO
APVD BY	T. Barben	1653	P0136
DATE	06/29/1995	SCALE	SIZE
		NTS	E
			SHEET
			2 OF 3

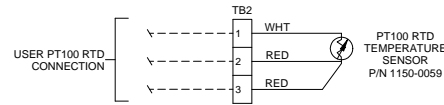
8 | 7 | 6 | 5 | 4 | 3 | 2 | 1

THERMAL SWITCH TEMPERATURE CONTROL

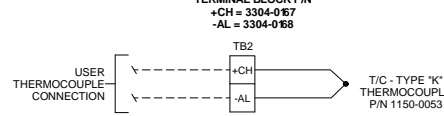


OPTIONAL

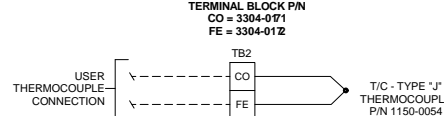
PT100 RTD OPTION FOR REMOTE FILTER HEATER TEMPERATURE MONITORING / CONTROL



THERMOCOUPLE OPTION FOR REMOTE FILTER HEATER TEMPERATURE MONITORING / CONTROL



THERMOCOUPLE OPTION FOR REMOTE FILTER HEATER TEMPERATURE MONITORING / CONTROL



- NOTES:**
- FILTER HEATER ROD SPECIFICATIONS (HTR1 & HTR2):
3/8" Ø X 1.5" LG @ 63 WATT/115VAC - U.A.I. P/N 3014-0046
 - OVEN TEMP. CONTROL OPTIONS:
NORMALLY CLOSED (NC) BELOW 340°F - 3103-0014
NORMALLY CLOSED (NC) BELOW 375°F - 3103-0061
NORMALLY CLOSED (NC) BELOW 225°F - 3103-0013
 - LOW TEMP ALARM OPTIONS (TS2):
YELLOW (YEL) - NORMALLY CLOSED (NC) BELOW 225°F - U.A.I. P/N 3103-0013
BLUE (BLU) - NORMALLY OPEN (NO) BELOW 225°F - U.A.I. P/N 3103-0012

⚠ FOR VOLTAGE CHANGE IN THE FIELD FROM 115 VAC TO 230 VAC, REMOVE JUMPERS ON TB1 & TB3 AT TERMINAL LOCATIONS 2-3 & 4-5. INSERT JUMPER AT TERMINAL LOCATION 3-4.

FIELD TO WIRE

8 | 7 | 6 | 5 | 4 | 3 | 2 | 1

P	04/25/13	Added TB2 T/C 'K', 'J' & RTD Terminal Options	MW	MW
REV	DATE	DESCRIPTION	DWN	APVD
REVISIONS				
MODEL 270S				
OPTIONAL WIRING SCHEMATIC				
PART NO. 270		FOR INSTRUMENT		
5200 Convair Drive, Carson City, Nevada 89706 (775) 883-2500				
DRAWN BY E. Musselman		ECO#	DRAWING NO	
APVD BY T. Barben		1653	P0136	
DATE	SCALE	SIZE	SHEET	
06/29/1995	NTS		3 OF 3	