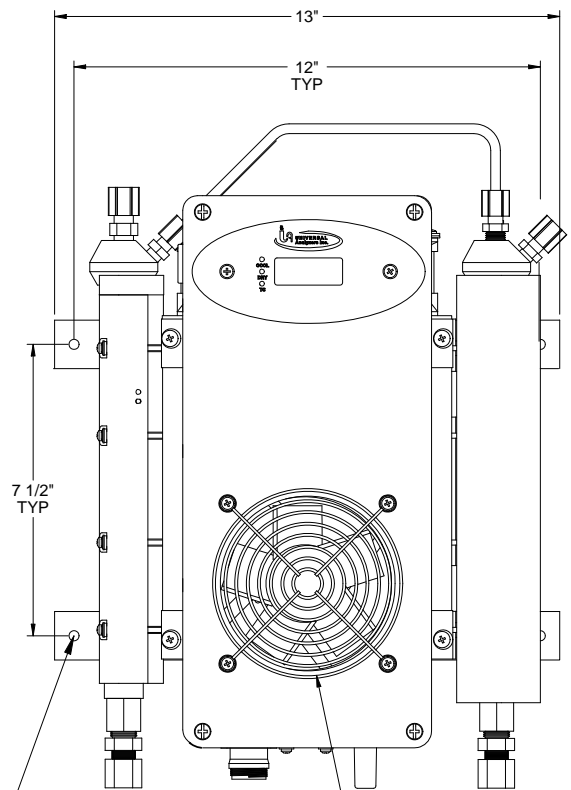
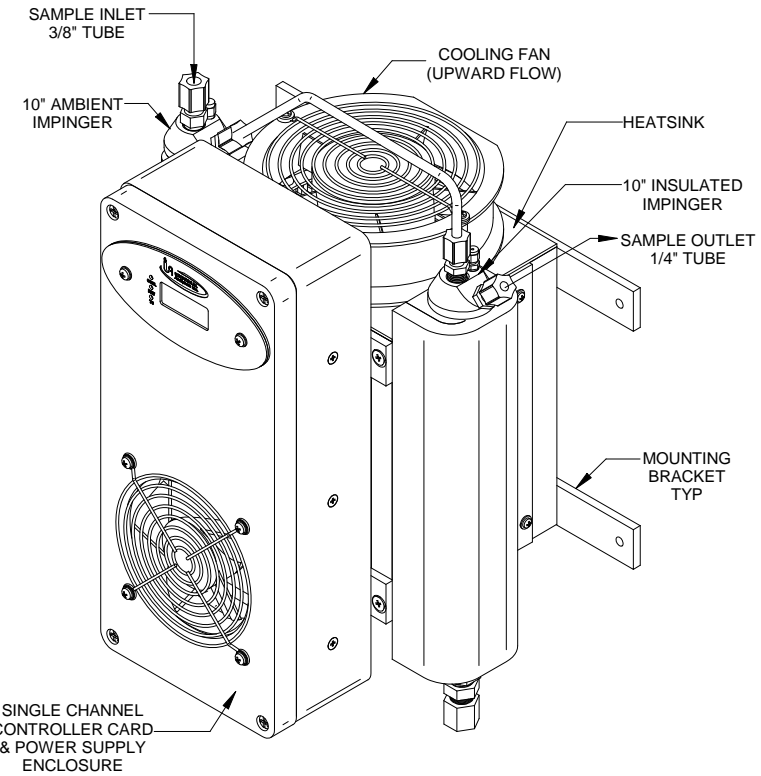


MOUNTING HOLES FOR
1/4" HARDWARE
(SUPPLIED BY OTHERS)
4 TYP



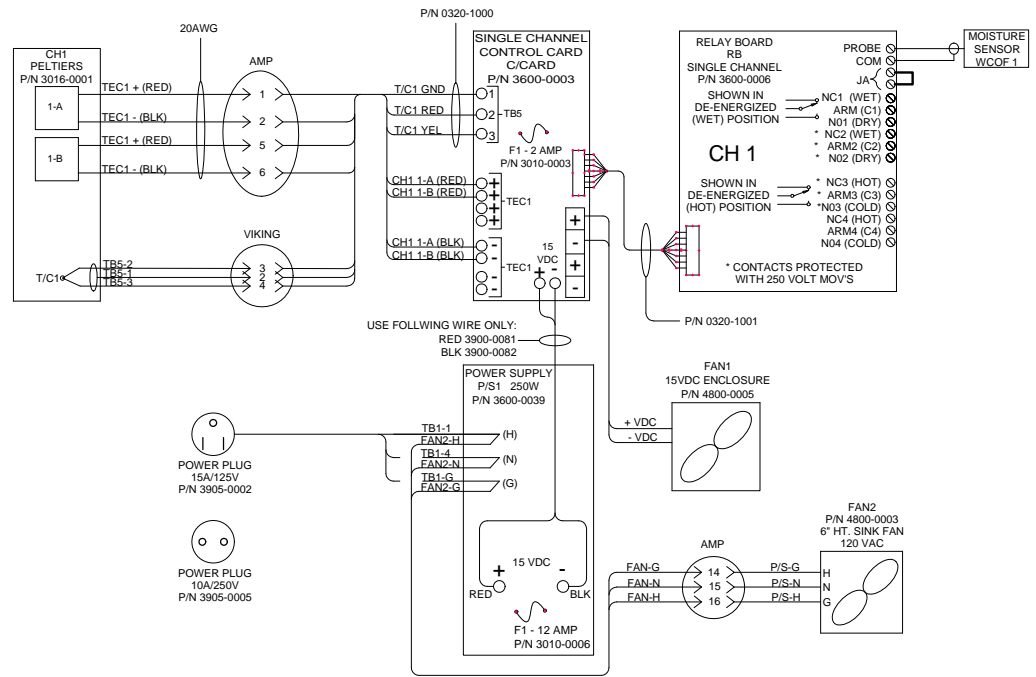
CONDENSATE DRAIN
3/8" NPT
2 TYP

INTAKE FAN
(INWARD FLOW)



SEE SHEET 2 FOR WIRING SCHEMATIC.

UNIVERSAL ANALYZERS INC.		F 02/01/10	Revised For Modularity		MW	DA
1701 South SutroTerrace Carson City, Nevada 89706 USA		REV	DATE	DESCRIPTION	DWN	APVD
REVISIONS						
MODEL 1050 SAMPLE COOLER ARRANGEMENT		DATE	SCALE	SIZE	SHEET	
		10/28/2006	NTS	D	1 OF 2	
PART NO.	FOR	DRAWN BY		DRAWING NO.		
NOT ISSUED	N/A	E. Musselman		P0013		
		APVD BY		T. Barben		



CONDUIT AND WIRING NOTES

1. ELECTRICAL CLASSIFICATION: INSIDE - GENERAL PURPOSE SYSTEM IS CONFIGURED AT THE FACTORY FOR REQUIRED VOLTAGE. CONTACT FACTORY FOR VOLTAGE CHANGE REQUIREMENTS.

2. AC WIRING SHALL BE INDIVIDUAL CONDUCTORS OF STRANDED TINNED COPPER WITH 300V, TYPE TFE INSULATION. MINIMUM WIRE SIZE SHALL BE 18 AWG UNLESS OTHERWISE SPECIFIED. COLOR CODE SHALL BE AS FOLLOWS:

115V - HOT - BLACK 230V - HOT - BROWN
 NEUTRAL - WHITE NEUTRAL - BLUE
 GROUND - GREEN GROUND - GREEN

3. DC WIRING SHALL BE INDIVIDUAL CONDUCTORS OF STRANDED TINNED COPPER WITH 300V, TYPE TFE INSULATION. MINIMUM WIRE SIZE SHALL BE 22 AWG UNLESS OTHERWISE SPECIFIED. COLOR CODE SHALL BE AS FOLLOWS, UNLESS OTHERWISE SPECIFIED:

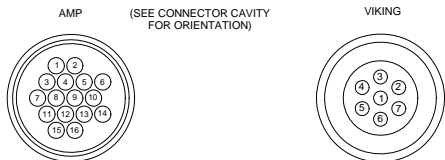
115V +V RED 230V +V RED
 -V BLUE -V BLACK

RELAY BOARD NOTES

4. USER CONNECTIONS TO MOISTURE SENSOR RELAY ENERGIZED WHEN SENSOR IS DRY (DRY LED ON). RATING: 1/10HP 120VAC 5A 240VAC/32VDC RESISTIVE.

5. USER CONNECTIONS TO 'AT TEMPERATURE' RELAY ENERGIZED WHEN BELOW SET TEMPERATURE (COOL LED ON). RATING: 1/10HP 120VAC 5A 240VAC/32VDC RESISTIVE.

 FIELD TO WIRE



UNIVERSAL ANALYZERS INC.		F 02/01/10	Revised For Modularity	MW	DA
1701 South Sutro Terrace Carson City, Nevada 89706 USA		REV	DATE	DESCRIPTION	DWN/APVD
MODEL 1050 SAMPLE COOLER WIRING SCHEMATIC					
PART NO. NOT ISSUED		FOR N/A		DRAWING NO. P0013	
DATE 10/28/2006		SCALE NTS		SIZE D	
DRAWN BY E. Musselman		APVD BY T. Barben		SHEET 2 OF 2	