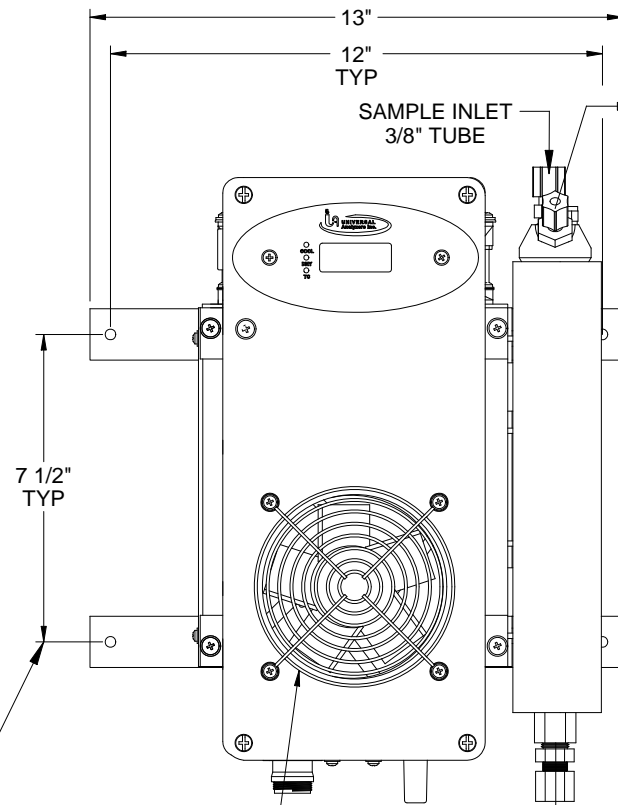


LEFT SIDE

MOUNTING HOLES FOR
1/4" HARDWARE
(SUPPLIED BY OTHERS)
4 TYP



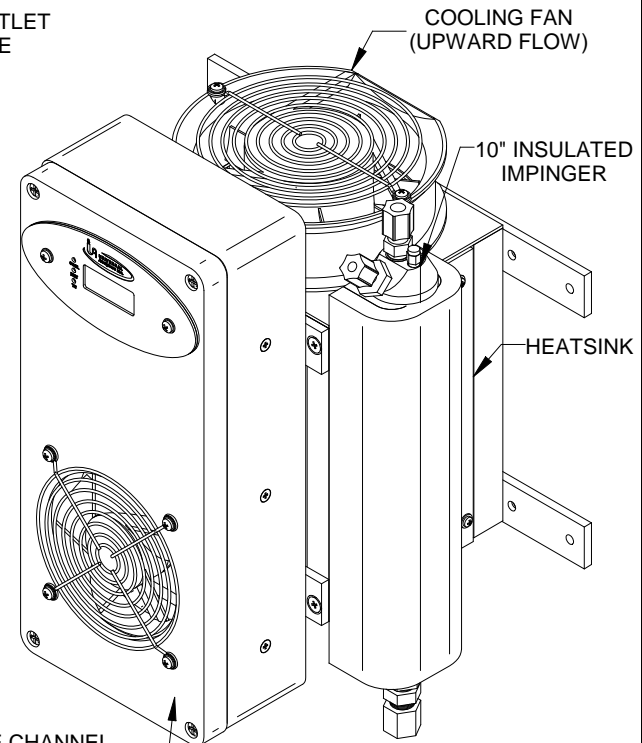
FRONT

INTAKE FAN
(INWARD FLOW)

CONDENSATE
DRAIN
3/8" NPT

SAMPLE INLET
3/8" TUBE

SAMPLE OUTLET
1/4" TUBE



COOLING FAN
(UPWARD FLOW)

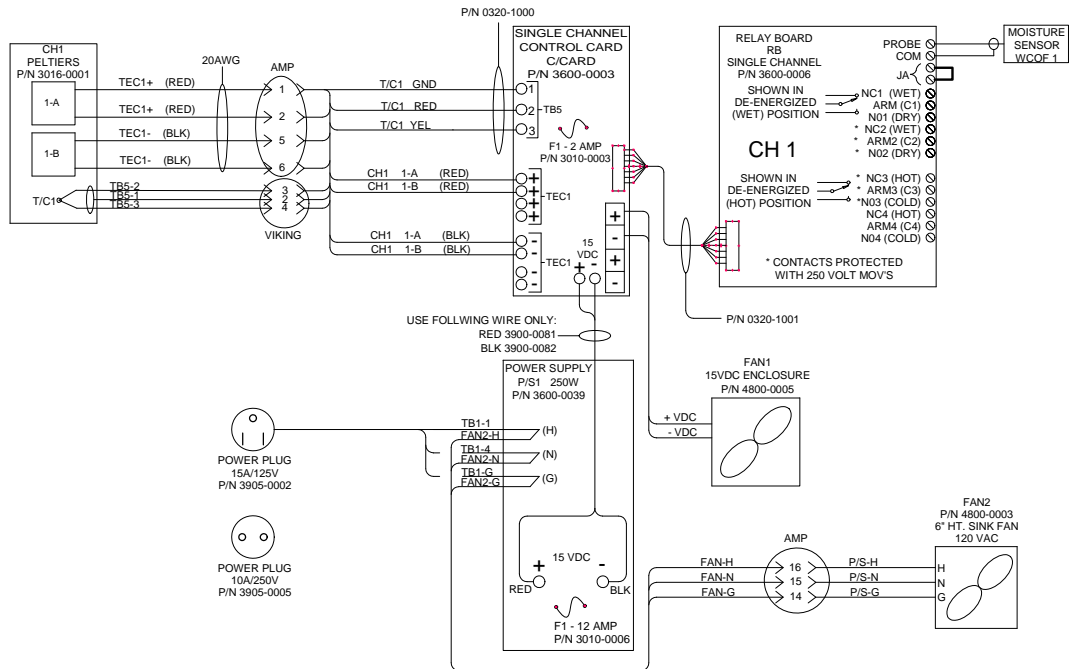
10" INSULATED
IMPINGER

HEATSINK

SINGLE CHANNEL
CONTROLLER & POWER
SUPPLY ENCLOSURE

SEE SHEET 2 FOR WIRING SCHEMATIC

UNIVERSAL ANALYZERS INC.		F 01/27/10	Revise For Modularity	MW	DA
5200 Convair Drive Carson City, Nevada 89706 USA		REV	DESCRIPTION	DWN	APVD
MODEL 1040 SAMPLE COOLER ARRANGEMENT		REVISIONS			
PART NO.	FOR	DATE	SCALE	SIZE	SHEET
NOT ISSUED	N/A	02/05/1992	NTS	D	1 OF 2
DRAWN BY E. Musselman		APVD BY T. Barben		DRAWING NO. P0012	



CONDUIT AND WIRING NOTES

1. ELECTRICAL CLASSIFICATION: INSIDE - GENERAL PURPOSE SYSTEM IS CONFIGURED AT THE FACTORY FOR REQUIRED VOLTAGE. CONTACT FACTORY FOR VOLTAGE CHANGE REQUIREMENTS.

2. AC WIRING SHALL BE INDIVIDUAL CONDUCTORS OF STRANDED TINNED COPPER WITH 300V, TYPE TFE INSULATION. MINIMUM WIRE SIZE SHALL BE 18 AWG UNLESS OTHERWISE SPECIFIED. COLOR CODE SHALL BE AS FOLLOWS:

115V - HOT - BLACK 230V - HOT - BROWN
 NEUTRAL - WHITE NEUTRAL - BLUE
 GROUND - GREEN GROUND - GREEN

3. DC WIRING SHALL BE INDIVIDUAL CONDUCTORS OF STRANDED TINNED COPPER WITH 300V, TYPE TFE INSULATION. MINIMUM WIRE SIZE SHALL BE 22 AWG UNLESS OTHERWISE SPECIFIED. COLOR CODE SHALL BE AS FOLLOWS, UNLESS OTHERWISE SPECIFIED:

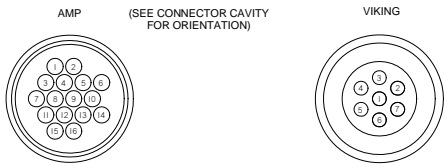
115V +V RED 230V +V RED
 -V BLUE -V BLACK

RELAY BOARD NOTES

4. USER CONNECTIONS TO MOISTURE SENSOR RELAY ENERGIZED WHEN SENSOR IS DRY (DRY LED ON). RATING: 1/10HP 120VAC 5A 240VAC/32VDC RESISTIVE.

5. USER CONNECTIONS TO 'AT TEMPERATURE' RELAY ENERGIZED WHEN BELOW SET TEMPERATURE (COOL LED ON). RATING: 1/10HP 120VAC 5A 240VAC/32VDC RESISTIVE.

 FIELD TO WIRE



UNIVERSAL ANALYZERS INC. 5200 Convoir Drive Carson City, Nevada 89706 USA		F 01/27/10	Revised For Modularity	MW	DA
REV	DATE	DESCRIPTION		DWN	APVD
REVISIONS					
DATE	SCALE	SIZE	SHEET		
02/05/1992	NTS	D	2 OF 2		
PART NO.		FOR		DRAWING NO.	
NOT ISSUED		N/A		P0012	
DRAWN BY		APVD BY		T. Barben	