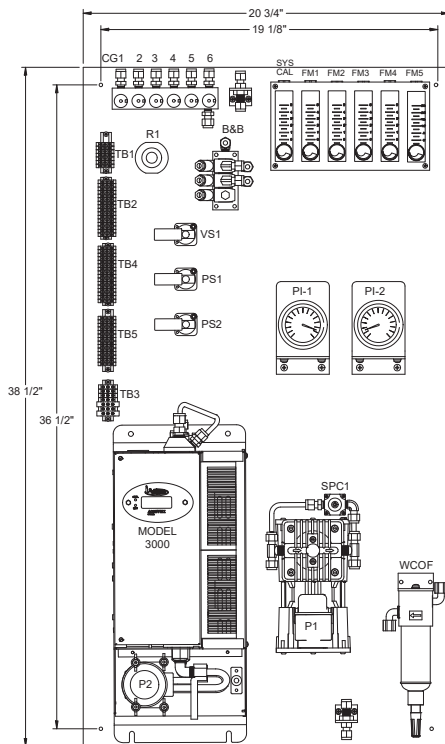
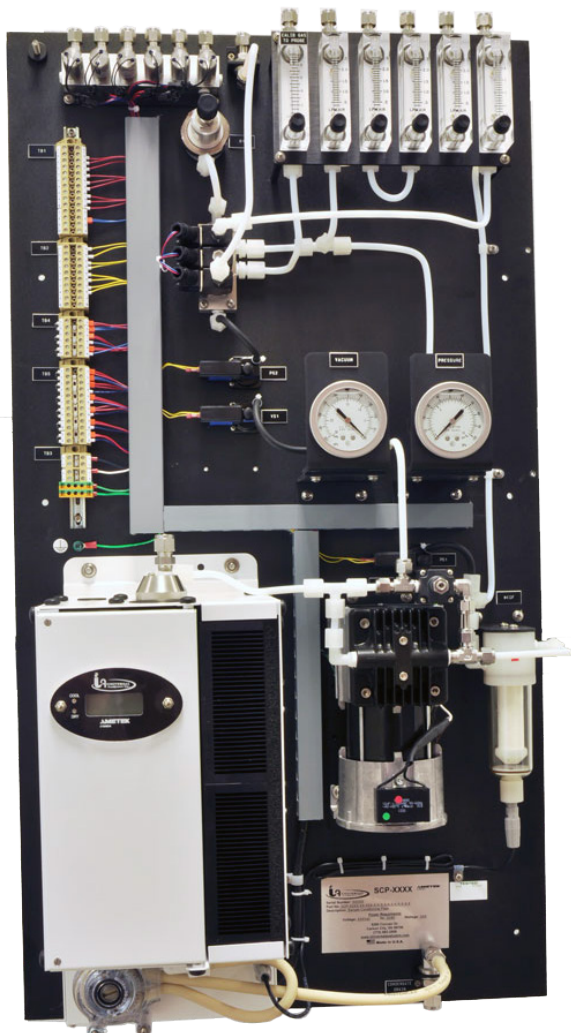


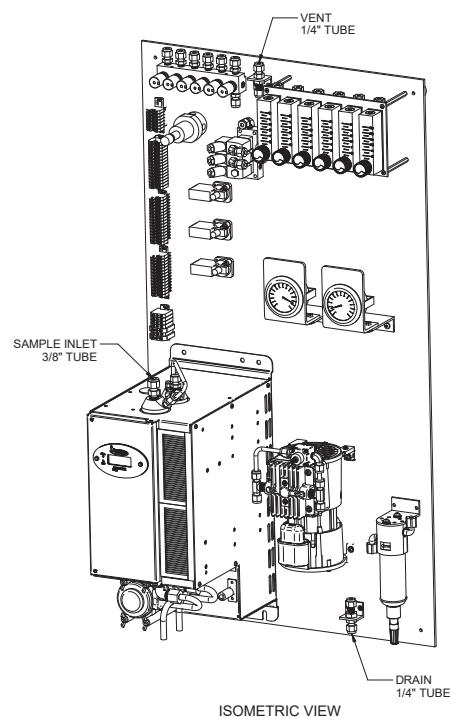
3000 Series Sample Conditioning Plate

Universal Analyzers offers a simple solution for most applications utilizing our 3000 Series Sample Conditioning Plate. The 3000 Series Cooler uses Peltier Elements to Thermo Electrically reduce the dew point of a gas sample which rapidly condenses and removes the water, providing a dry sample for the gas analyzers.

The 3000 Series Sample Conditioning plate is 38.5" H by 20.75" W and comes standard with the following: Sample Pump, Peristaltic Pump, Inline Filter with Water Carry Over Sensor, Pressure Gauge, Vacuum Gauge, Alarm, Switches, Calibration Gas Regulator, Solenoid Valves and Analyzer/Bypass/Calibration Gas Flow Meters.



FRONT VIEW



ISOMETRIC VIEW

COOLER CAPACITY DATA

	Ambient 77°F/25°C				Ambient 90°F/32°C				Ambient 105°F/41°C			
	Water Vapor				Water Vapor				Water Vapor			
	12%	15%	30%	50%	12%	15%	30%	50%	12%	15%	30%	50%
3040	6 l/m	5 l/m	2.8 l/m	1.4 l/m	5 l/m	4 l/m	2 l/m	1 l/m	2.8 l/m	2.4 l/m	1.2 l/m	0.6 l/m
3050	8 l/m	8 l/m	7 l/m	6 l/m	6 l/m	6 l/m	5.5 l/m	4.5 l/m	3 l/m	3 l/m	2.5 l/m	2 l/m
3080	10 l/m	8 l/m	4 l/m	2 l/m	8 l/m	7 l/m	3.5 l/m	1.8 l/m	4.6 l/m	4 l/m	2.2 l/m	1.1 l/m

Standard Plate includes: Sample Pump, Peristaltic Pump, Vacuum & Pressure Gauges, Vacuum & Pressure Switches, Analyzer/Bypass/Calibration Gas Flow Meters, Zero & Span Calibration Gas Solenoids, Calibration Gas Regulator and Condensate Carry Over Sensor with Filter

Lead Time	Integration Options							
3 wks	SCP	Integrate 3000 cooler on a 20.75"W x 38.5"H powder coated plate with accessories selected below						
Cooler (Part Number Configurator: SCP 3000)								
Sample Conditioning Plate								
	3040	10" Active (1 Heat Exchanger)						
	3050	10" Passive/Active (2 Heat Exchangers)						
	3080	10" Active/Active Single Control (2 Heat Exchangers)						
Heat Exchangers Material (Price per Heat Exchanger)								
	SS	316 Stainless Steel:						
	PV	Glass/Kynar:						
	C	Hastelloy C276:						
+1 wk	ST	Teflon coated 316 Stainless Steel:						
	SW	316 Welded Stainless Steel: (High Pressure)						
	SN	SilcoNert™ 2000 coated 316 Stainless Steel:						
	KK	Kynar/ Kynar:						
Voltage & Area Location Classification								
	115	115 VAC 50/60 Hz; General Purpose (GP) Area						
+1 wk	230	230 VAC 50/60 Hz; General Purpose (GP) Area						
Sample Pump with one pressure controller.								
	SP1	Single Head Pump						
	SP2	Dual Head Pump						
Calibration Gas Solenoids (Standard panel includes two calibration gas solenoids)								
	Cal2	No Additional Calibration Gas Solenoids (Base Panel Includes 2)						
	Cal3	1 Additional Calibration Gas Solenoid (3 Total)						
	Cal4	2 Additional Calibration Gas Solenoid (4 Total)						
	Cal5	3 Additional Calibration Gas Solenoid (5 Total)						
	Cal6	4 Additional Calibration Gas Solenoid (6 Total)						
Analyzer Flow Meter Options								
	FM1	1 Base Panel 2.5lpm Flow Meter = Panel with 1 Analyzer Meter, 1 Bypass Meter, 1 Cal Gas						
	FM2	1 Additional 2.5 lpm Flow Meter = Panel with 2 Analyzer Meters, 1 Bypass Meter, 1 Cal Gas						
	FM3	2 Additional 2.5 lpm Flow Meter = Panel with 3 Analyzer Meters, 1 Bypass Meter, 1 Cal Gas						
	FM4	3 Additional 2.5 lpm Flow Meter = Panel with 4 Analyzer Meters, 1 Bypass Meter, 1 Cal Gas						
Peristaltic Tubing Options								
	PP1	Phar-Med High Pressure Pump Tubing (\$69/head)						
	PP2	Viton Pump Tubing (per head)						
+1 wk	PP3	Tygon Fuel Grade Tubing (per head)						
	PP4	Norprene Food Grade Tubing (per head)						
	N	No Options Included						
SCP-	3080	-SS	-115	-SP1	-Cal2	-FM1	-N	<--- Sample Part Number

* Lead Times are not compounded. Lead time is Cooler + longest option.

TECHNICAL SPECIFICATIONS

Maximum Inlet Sample Temperature:	316SS Heat Exchanger: 700°F (370°C.)/Kynar-Glass Heat Exchanger: 280°F (138°C.)
Maximum Inlet Gas Dew Point:	194°F. (82°C)*
Maximum Inlet Water Concentration:	70%*
Maximum Ambient Temperature:	105°F (41°C.)*
Maximum Cooling Power:	126 BTU'S/Hr. (120 kJ/Hr.) (Model 3040) 126 BTU'S/Hr. (120 kJ/Hr.) (Model 3050 2nd Stage) 252 BTU'S/Hr. (240 kJ/Hr.) (Model 3080)
Outlet Sample Dew Point:	39°F (4°C.)
Maximum Input Power:	700 WATTS**
Voltage:	95-125 VAC, 50/60 Hz or 190-250 VAC, 50/60 Hz
Electrical Classification:	Nema 1 / General Purpose
Soluble Gas Removal Rates:	NO 0% LOSS NO2 <10% LOSS SO2 < 2% LOSS CO 0% LOSS CO2 < 2% LOSS

*At reduced flow rates, see capacity chart.

**Wattage dependant on selected cooler, contact factory for selected cooler wattage.