

# 1095E SERIES ACID AEROSOL CHILLER SYSTEM

## DESCRIPTION

The Universal Analyzer Model 1095E utilizes our proven multi-stage cooling technique to provide a negative 13°F(-25°C) dew point conditioned sample that is free of corrosive Acid Aerosol Mists. The Model 1095E was designed to protect your analyzer from Acid Aerosol Mists, have user friendly operation with a menu driven touchscreen, and to decrease maintenance time. The model 1095E features a modular design for the heat sink and electronics enclosure. This allows for simple replacement of both assemblies in the case of a failure. The electrical interconnections for the modules are terminated with pluggable connectors, eliminating the inconvenience of removing wires from terminal blocks to replace either module.

Active heat exchanger cooling is accomplished utilizing thermoelectric Peltier devices to cool the heat exchanger to low temperature resulting in condensation. The water separation occurs within our unique heat exchangers with cylindrical surface is cooled to ambient 39°F(4°C) or negative 13°F(-25°C) depending on the cooling stage. Water is removed from gas sample contact using a peristaltic pump. Wetted heat exchanger materials are Glass/Kynar and Kynar/Kynar.

## APPLICATION

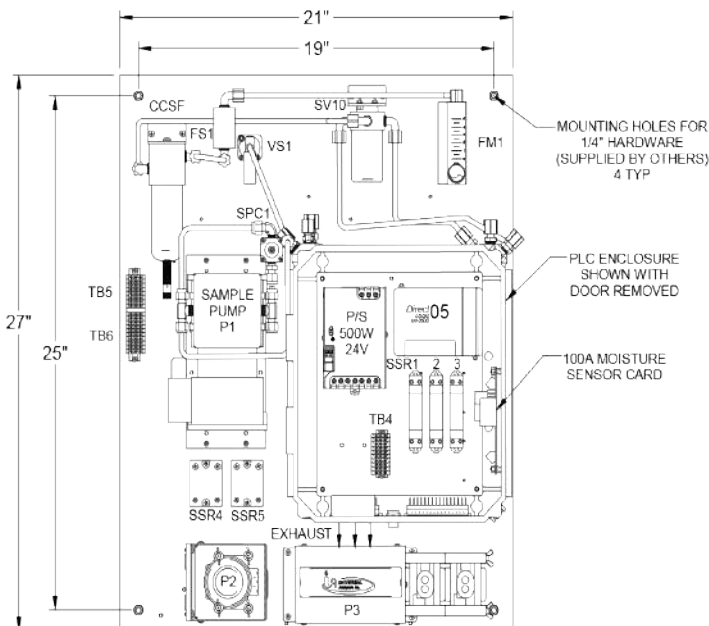
Any gas analysis system with greater than 150ppm SO<sub>2</sub>/SO<sub>3</sub>.

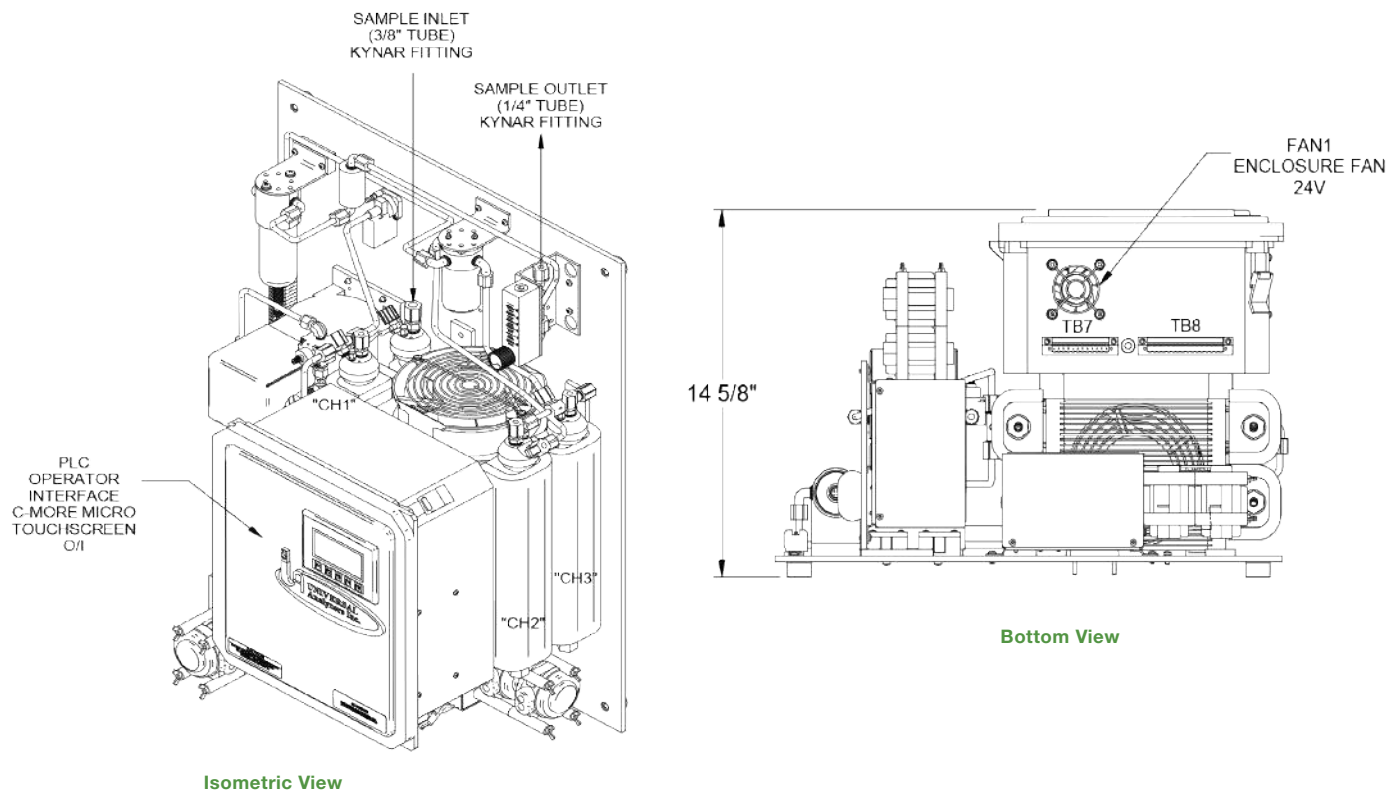
## FEATURES

- -25°C Dewpoint
- Menu Driven Touch Screen Interface
- Digital Display of Gas Cooler Temperature
- Contained to a 27"H x 21"W Plate
- Integral Heated Sample Pump



Front View





## TECHNICAL INFORMATION

Maximum Inlet Sample Temperature: Kynar/Glass Heat Exchanger:	280°F. (138°C.)
Maximum Inlet Water Concentration:	50%*
Minimum Ambient Temperature	34°F (1°C)
Maximum Ambient Temperature:	90°F (32°C)*
Outlet Sample Dew Point:	-13° F (-25°C.)
Gas Sample Inlet Fittings	3/8" Tubing Compression Fittings
Gas Sample Outlet Fittings	1/4" Tubing Compression Fittings
Voltage (Factory Configured):	115/230VAC, 50/60 Hz
Electrical Classification:	General Purpose/Safe Area, NEMA 1
Soluble Gas Removal Rates:	NO      0% LOSS NO <sub>2</sub> <10% LOSS SO <sub>2</sub> < 2% LOSS CO      0% LOSS CO <sub>2</sub> < 2% LOSS
*At reduced flow rates, see capacity chart.	