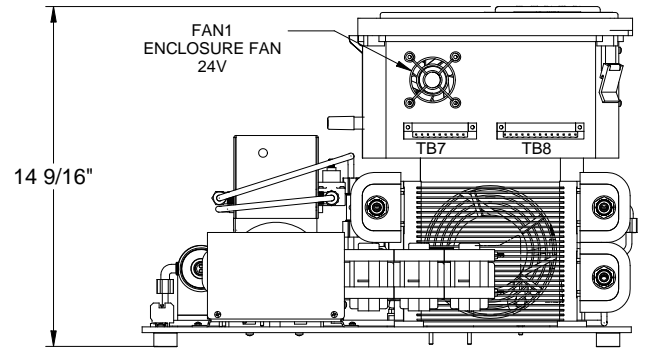
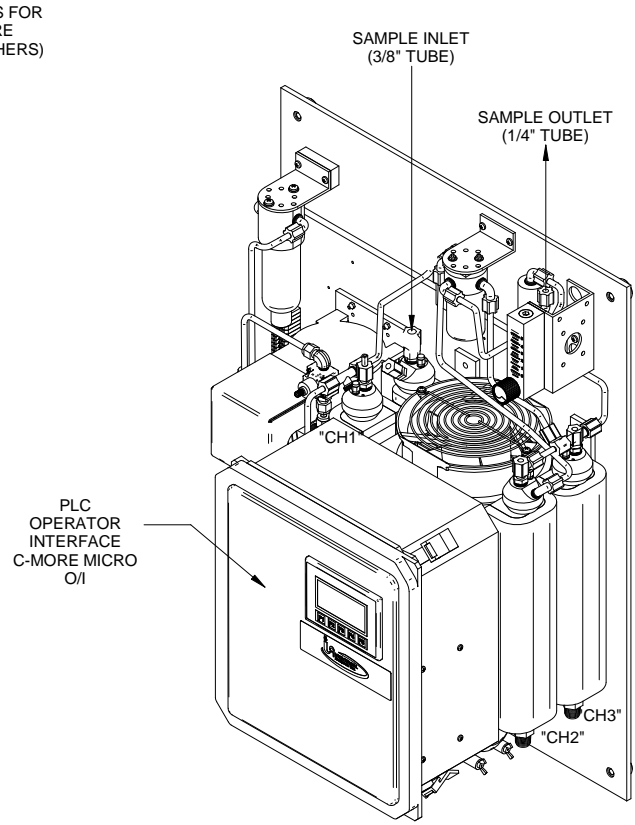


FRONT VIEW

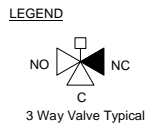
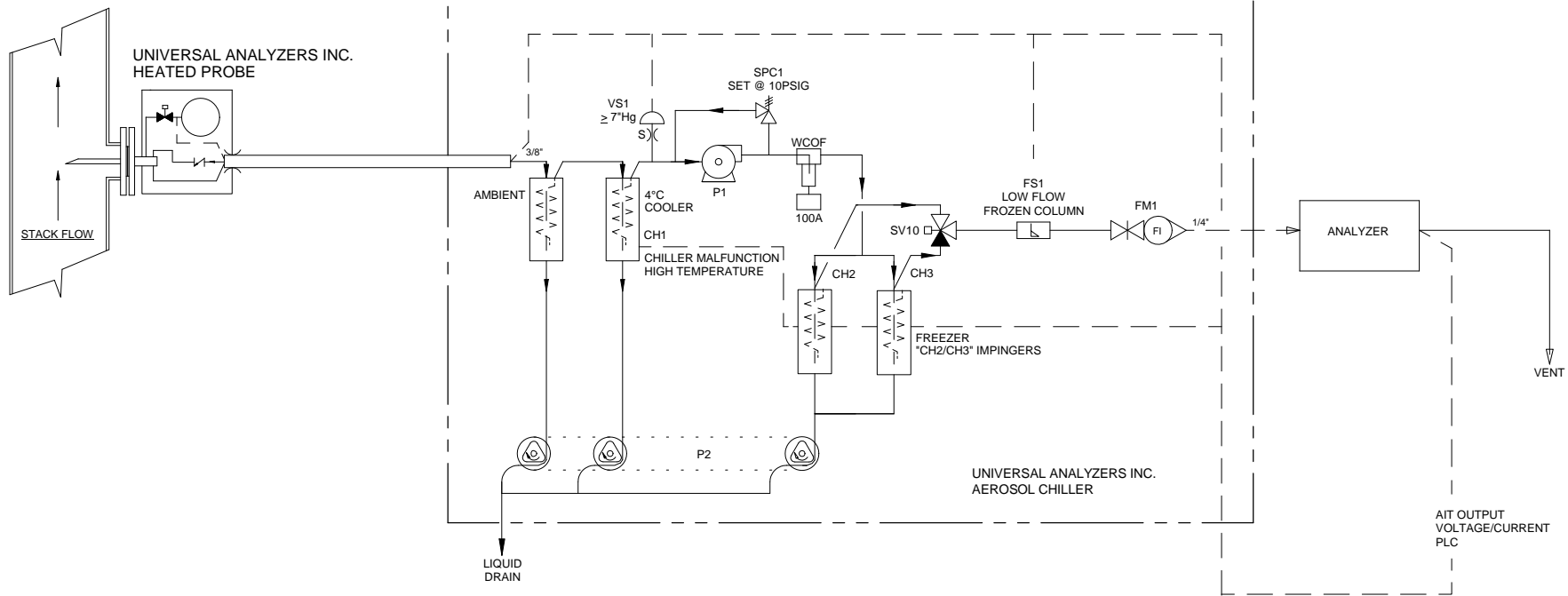


BOTTOM VIEW



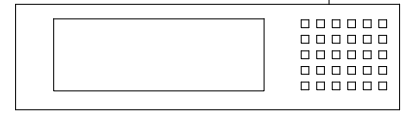
- Notes:
- 1). Arrangement may vary according to good engineering and assembly practices.
 - 2). See Sheet 2 for P&ID.
 - 3). See Sheet 3 for Wiring Schematic.
 - 4). See P1213 For Electronics Sub Assembly.

UNIVERSAL ANALYZERS INC. 1791 South Sierra Terrace Carson City, Nevada 89706 USA		G 05/09/08	Remove Stepdown Transformer	EM	TM
1095E 115/230VAC LAYOUT & DIMENSIONS		REV DATE	DESCRIPTION	REVISIONS	
PART NO.	FOR	DATE	SCALE	SIZE	SHEET
Not Issued	Instrument	02/16/2007	NTS	D	1 OF 3
DRAWN BY R. Wells		APVD BY P. Stockwell		DRAWING NO. P1155	



115vac System Components

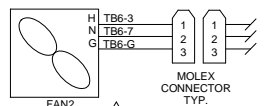
Item	Qty	Description	UAI Part No.
VS1	1	Switch - Vacuum Air Logic 0-29"Hg	3103-0017
WCOF	1	Water Carry Over Sensor - Filtered 2 Micron	4980-0005
SPC1	1	Sample Pressure Control	4955-0246
P1	1	Sample Pump - 115Vac Single Heated Head Mini Dia Vac	4958-0125
P2	1	Sample Pump - 230Vac Single Heated Head Mini Dia Vac	4958-0168
FS1	1	Flow Switch ≈500cc/m	3103-0051
SV10	1	Solenoid Valve - 115Vac 3-Way Teflon	4955-0048
SV10	1	Solenoid Valve - 230Vac 3-Way Teflon	4955-0057
P2	1	Peristaltic Drain Pump - 115Vac Triple Head	4958-0080
P2	1	Peristaltic Drain Pump - 230Vac Triple Head	4958-0108
FM1	1	Flowmeter w/ Needle Valve 0-5 l/m	4965-0008
S)	1	Snubber - #6-32	0000-0000
CHILLER	1	Universal Analyzers Model 1095 Aerosol Chiller	1095



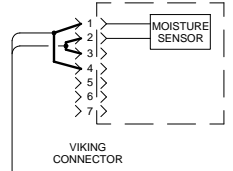
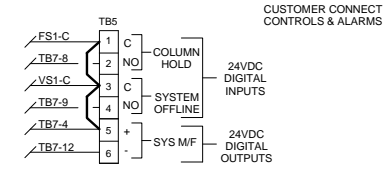
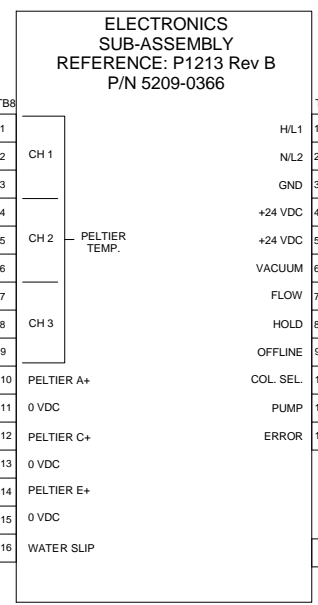
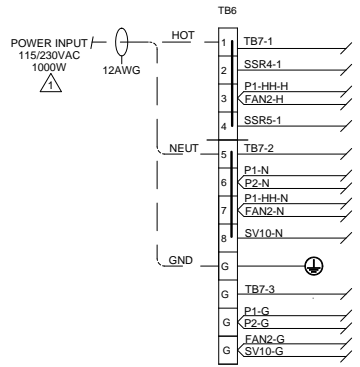
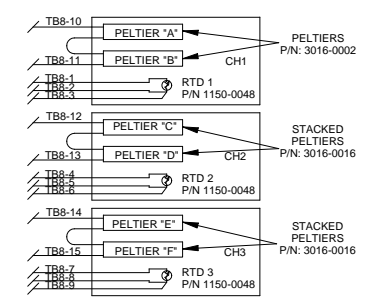
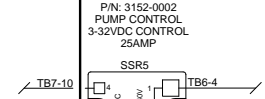
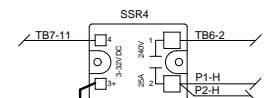
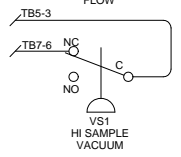
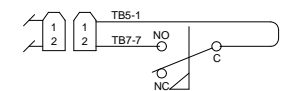
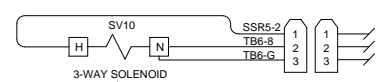
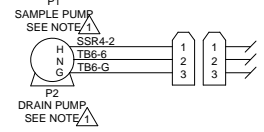
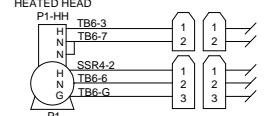
PLC OR DATA LOGGER

UNIVERSAL ANALYZERS INC. 1791 South Sierra Terrace Carson City, Nevada 89706 USA		G 05/09/08	Add 230VAC Components	EM	TM
1095E P & ID		REV DATE	DESCRIPTION	REVISIONS	
PART NO.	FOR	DATE	SCALE	SIZE	SHEET
Not Issued	Instrument	02/16/2007	NTS	D	2 OF 3
DRAWN BY R. Wells		APVD BY P. Stockwell		DRAWING NO. P1155	

8 | 7 | 6 | 5 | 4 | 3 | 2 | 1



FAN2
6" HT. SINK FAN
115VAC P/N: 4800-0003
230VAC P/N: 4800-0009



CONDUIT AND WIRING NOTES

- 1. Electrical Classification : Inside - General Purpose
System is configured at the factory for required voltage. Contact factory for voltage change requirements.
- 2. AC Wiring shall be individual conductors of stranded tinned copper with 300V, Type TFE Insulation. Minimum wire size shall be 18 AWG unless otherwise specified.

115VAC	230VAC
Hot - Black	L1 - Brown
Neutral - White	L2 - Blue
Ground - Green	GND - Green/Yellow
- 3. DC Wiring shall be individual conductors of stranded tinned copper with 300V, Type TFE Insulation. Minimum wire size shall be 22 AWG unless otherwise specified.

+V - Red	Yellow - Switch
-V - Blue on 115VAC Systems	
Black on 230VAC Systems	

FIELD TO WIRE

PLC LEGEND

PLC INPUTS	PLC OUTPUTS
X0 - VS1 HI SAMPLE VACUUM	Y0 - SV10 SSR5 CONTROL
X1 - FS1 LOW FLOW	Y1 - CH1 CONTROL
X2	Y2 - CH2 CONTROL
X3 - WATER CARRY/SLIP	Y3 - CH3 CONTROL
X4	Y4 - SAMPLE PUMP CONTROL
X5	Y5 - SYSTEM MALFUNCTION
X6 - COLUMN HOLD	
X7 - SYSTEM OFFLINE	

UNIVERSAL ANALYZERS INC.		G 05/09/08	Inserted P1215	EM	TM
1791 South Sierra Terraza Carson City, Nevada 89706 USA		REV DATE	DESCRIPTION	DWN/ APVD	
1095E (115 VAC) WIRING SCHEMATIC		DATE	SCALE	SIZE	SHEET
PART NO.	FOR	02/16/2007	NTS	D	3 OF 3
Not Issued	Instrument	DRAWN BY	R. Wells	DRAWING NO.	P1155
		APVD BY	P. Stockwell		

8 | 7 | 6 | 5 | 4 | 3 | 2 | 1