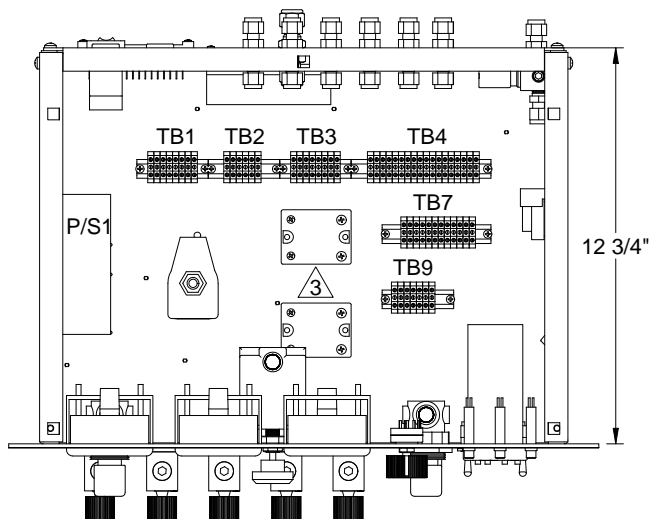
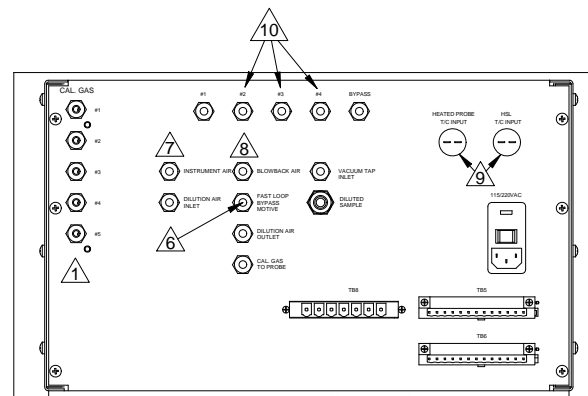


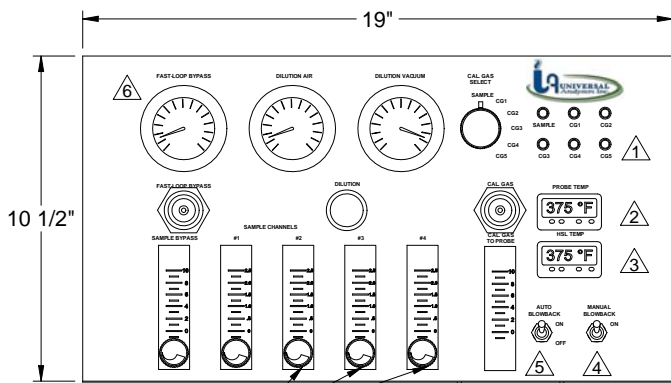
REF. DWG. M1271 FOR FRONT PANEL
REF. DWG. V0397 FOR OVERLAY.



TOP VIEW



BACK VIEW



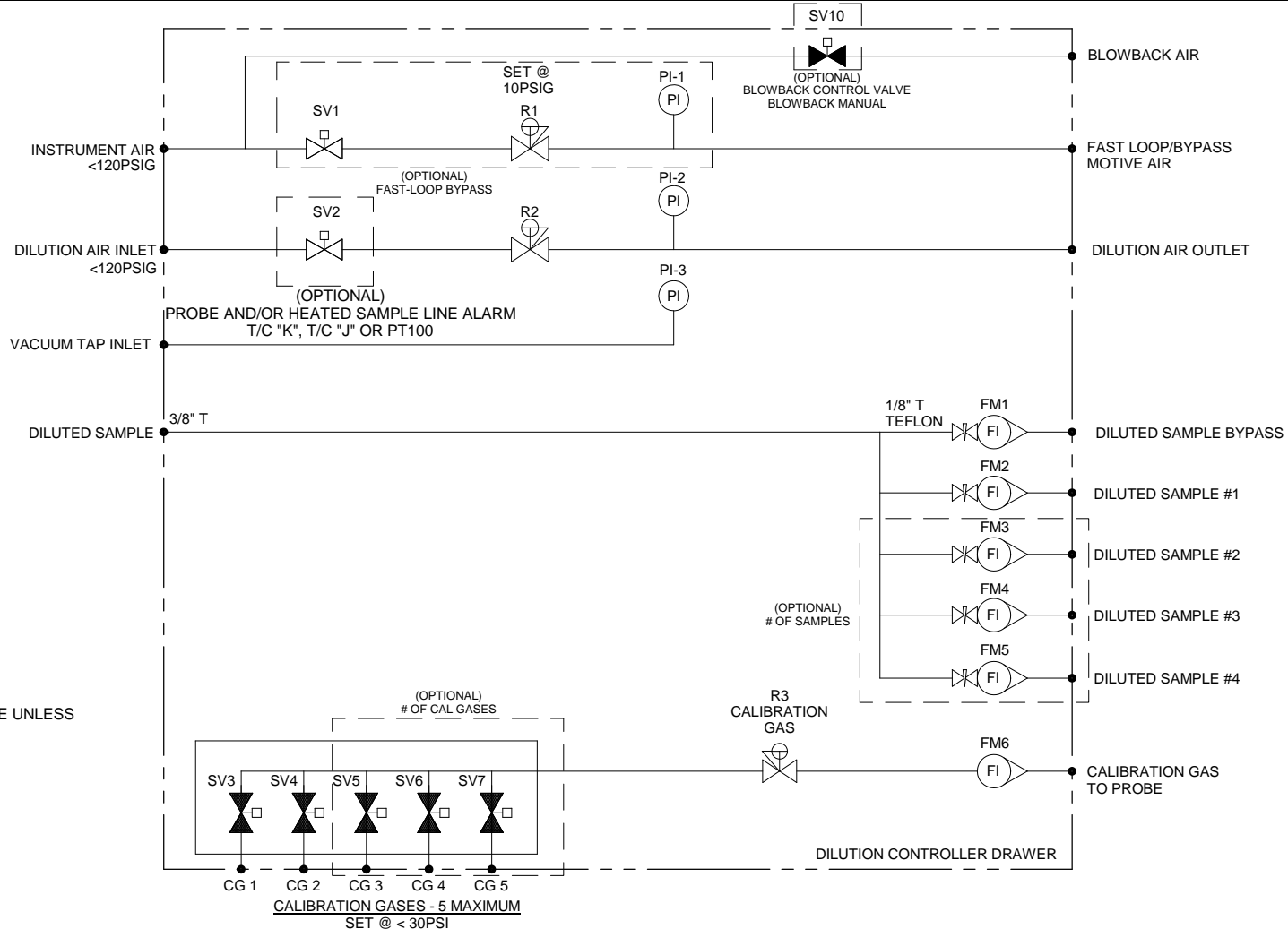
FRONT VIEW

- ① OPTIONAL NUMBER OF CAL GASES.
- ② OPTIONAL HEATED PROBE CONTROLL. INCLUDE IF T/C "K", T/C "J" OR PT100.
- ③ OPTIONAL HEATED SAMPLE LINE CONTROL. INCLUDE IF T/C "K", T/C "J" OR PT100.
- ④ OPTIONAL MANUAL BLOWBACK CONTROL.
- ⑤ OPTIONAL AUTO BLOWBACK CONTROL.
- ⑥ OPTIONAL FAST-LOOP BYPASS.
- ⑦ OPTIONAL FAST-LOOP BYPASS, BLOWBACK CONTROL, BLOWBACK MANUAL OR BLOWBACK LINE.
- ⑧ OPTIONAL BLOWBACK CONTROL, BLOWBACK MANUAL OR BLOWBACK LINE.
- ⑨ OPTIONAL THERMOCOUPLE TYPE "K" OR "J".
- ⑩ OPTIONAL NUMBER OF DILUTED SAMPLES.

- NOTES:
- 1). ARRANGEMENT MAY VARY ACCORDING TO GOOD ENGINEERING AND ASSEMBLY PRACTICES.
 - 2). SEE SHEET 2 FOR P&ID.
 - 3). SEE SHEET 3 FOR WIRING SCHEMATIC.

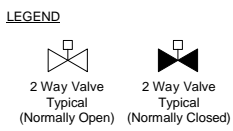
UNIVERSAL ANALYZERS INC.		B	05/12/08	Revised Per Sheet 2	RW	GE
1701 South Sutro Terrace Carson City, Nevada 89706 USA		REV	DATE	DESCRIPTION	DWN	APVD
DILUTION CONTROLLER DRAWER ARRANGEMENT		REVISIONS				
PART NO. FOR		DATE	SCALE	SIZE	SHEET	
NOT ISSUED		01/18/2007	NTS	D	1 OF 4	
DRAWN BY R. Wells		DRAWING NO.		P1144		
APVD BY G. Evans						

8 | 7 | 6 | 5 | 4 | 3 | 2 | 1



NOTE: ALL CONNRCTIONS ARE 1/4" TUBE UNLESS OTHERWISE SPECIFIED.

CALIBRATION GASES - 5 MAXIMUM
SET @ < 30PSI



Item	Qty	Description	UAI Part No.
FM1,6	2	Flowmeter W/ Out Needle Valve 0-10 l/m	4965-0020
FM2,3,4,5	4	Flowmeter W/Needle Valve 0-2.5 l/m	4965-0018
PI-1	1	Gauge - Pressure 0-30psig	3019-0020
PI-2	1	Gauge - Pressure 0-100psig	3019-0007
PI-3	1	Gauge - Vacuum 0-30"Hg	3019-0006
R2	1	Regulator - 0-100psig	8200-0020
R1,3	2	Regulator - 0-30psig	8200-0019
SV1,2	2	Valve - Solenoid 24Vdc 2 Way Asco - Normally Open	4955-0271
SV3,4,5,6,7	5	Valve - Solenoid 24Vdc 2 Way Asco	4955-0247
SV10	1	Valve - Solenoid 24Vdc 2 Way Skinner	4955-0010

UNIVERSAL ANALYZERS INC.
1791 South Sierra Terrace
Carson City, Nevada 89706 USA

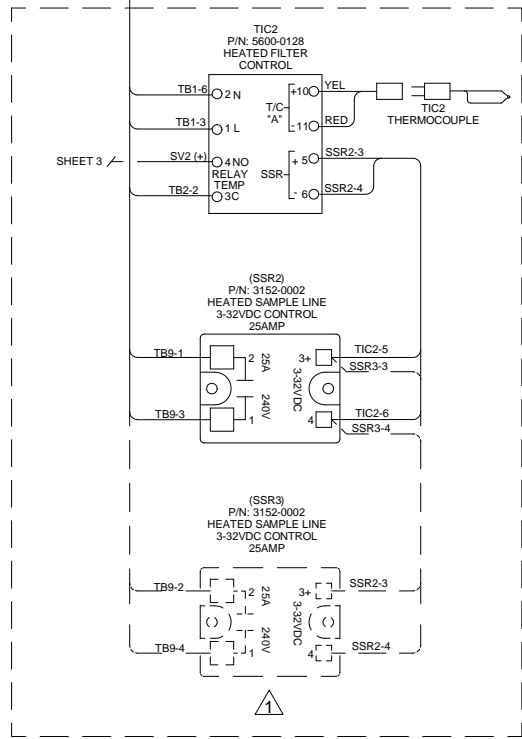
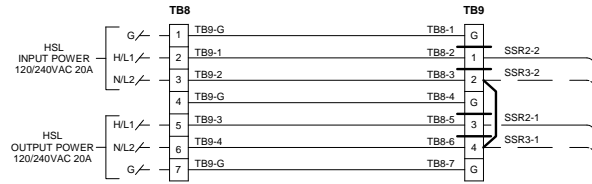
REV	DATE	DESCRIPTION	DWN	APVD
B	05/12/08	Show Regulator Set Point	RW	GE

Model 728 Dilution Controller Drawer
P&ID

PART NO.	FOR	DRAWN BY	SCALE	SIZE	SHEET
NOT ISSUED	728 DCD	R. Wells	NTS	D	2 OF 4
APVD BY			DRAWING NO.		
G. Evans			P1144		

8 | 7 | 6 | 5 | 4 | 3 | 2 | 1

8 | 7 | 6 | 5 | 4 | 3 | 2 | 1



⚠ PROVIDE SSR3 FOR 240VAC.

8 | 7 | 6 | 5 | 4 | 3 | 2 | 1

UNIVERSAL ANALYZERS INC.		B	05/12/08	Revised Per Sheet 2	RW	GE
1701 South Sutro Terrace Carson City, Nevada 89706 USA		REV	DATE	DESCRIPTION	DWN	APVD
DILUTION CONTROLLER DRAWER SCHEMATICS		REVISIONS				
PART NO.	FOR	DATE	SCALE	SIZE	SHEET	
NOT ISSUED	728 DCD	01/18/2007	NTS	D	4 OF 4	
		DRAWN BY	R. Wells	DRAWING NO.		P1144
		APVD BY	G. Evans			